

**DRIVER, TRACK & RESULTS**

|               |                  |                                  |                                 |                              |                                 |                                       |                                |                                 |
|---------------|------------------|----------------------------------|---------------------------------|------------------------------|---------------------------------|---------------------------------------|--------------------------------|---------------------------------|
| <b>DRIVER</b> | COUNTRY          | <b>WEATHER</b>                   | AIR TEMP                        | TRACK TEMP                   | <input type="checkbox"/> DRY    | <input type="checkbox"/> INTERMEDIATE | <input type="checkbox"/> WET   |                                 |
| <b>TRACK</b>  | <b>CONDITION</b> | <input type="checkbox"/> ASPHALT | <input type="checkbox"/> CARPET | <input type="checkbox"/> LOW | <input type="checkbox"/> MEDIUM | <input type="checkbox"/> HIGH         | <input type="checkbox"/> BUMPY | <input type="checkbox"/> SMOOTH |
| <b>RACE</b>   | DATE             | QUALIFICATION                    | BEST LAP TIME                   |                              | FINAL                           |                                       |                                |                                 |

|                                    |                                    |             |
|------------------------------------|------------------------------------|-------------|
| <b>FRONT</b>                       | <b>DRIVE TRAIN</b>                 | <b>REAR</b> |
| <input type="checkbox"/> GEAR DIFF | <input type="checkbox"/> GEAR DIFF |             |
| <input type="checkbox"/> SPOOL     |                                    |             |

|                                      |                                      |
|--------------------------------------|--------------------------------------|
| <b>HEAVE DAMPER</b>                  |                                      |
| OIL                                  | OIL                                  |
| SPRINGS                              | SPRINGS                              |
| SHIM <input type="text" value="mm"/> | SHIM <input type="text" value="mm"/> |

|                    |         |
|--------------------|---------|
| <b>ROLL DAMPER</b> |         |
| OIL                | OIL     |
| SPRINGS            | SPRINGS |
| HOLES              | HOLES   |

|  |   |
|--|---|
| <b>REAR REACTIVE SYSTEM</b>            |   |
| <input type="checkbox"/> LONG RRS LINK | <input type="checkbox"/> SHORT RRS LINK |
|  |   |

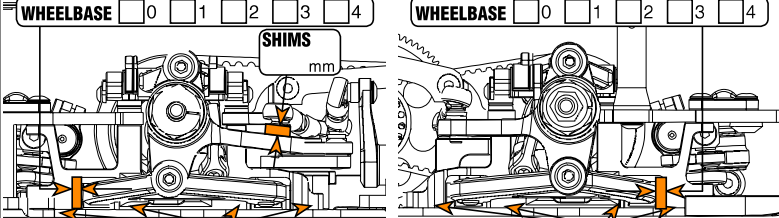
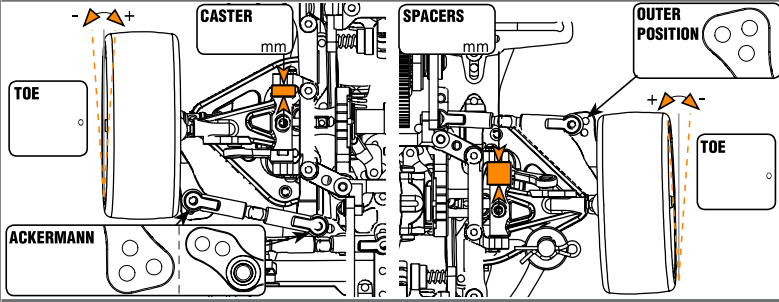
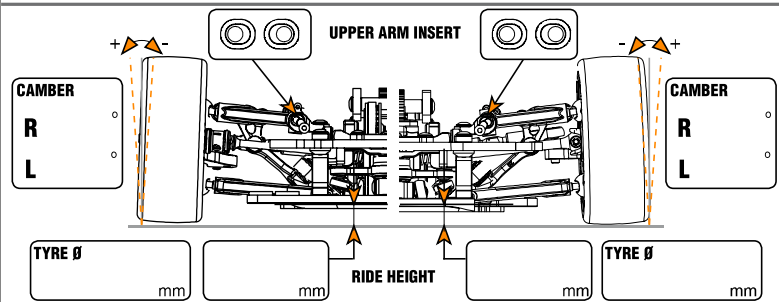
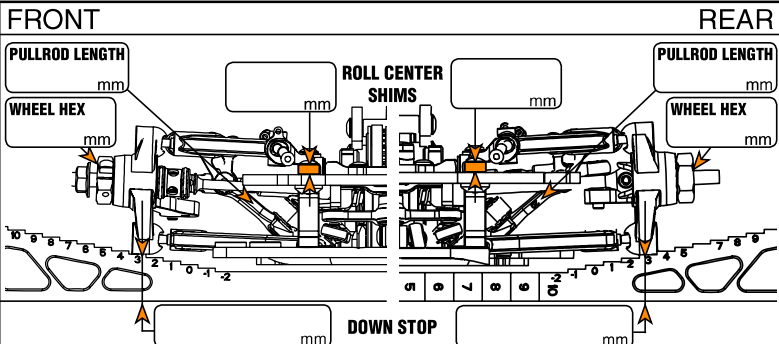
|  |  |
|--|--|
| <b>TYRES</b> Controlled <input type="checkbox"/> |  |
| BRAND/TYPE                                       |  |
| INSERTS  |  |
| ADDITIVE   |  |
| TIME   |  |
| SURFACE  |  |

|                    |          |
|--------------------|----------|
| <b>ELECTRONICS</b> |          |
| BATTERY            |          |
| MOTOR              | TIMING   |
| ESC                | RECEIVER |
| SERVO              | RADIO    |

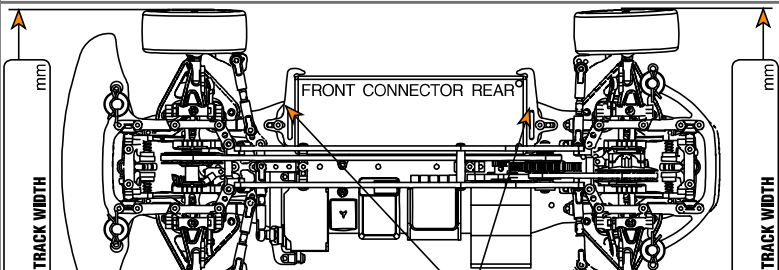
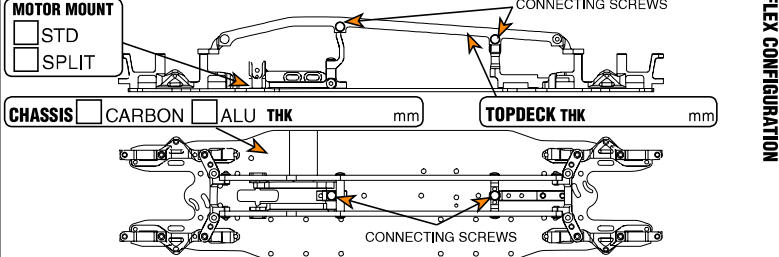
|                            |   |       |
|----------------------------|---|-------|
| <b>RATIO CONFIGURATION</b> |   |       |
| PINION                     | SPUR GEAR                               | PITCH |
| FINAL RATIO                | ROLLOUT <input type="text" value="mm"/> |       |

|   |      |
|---|------|
| <b>AERODYNAMIC CONFIGURATION</b>              |      |
| BODY  | WING |
| BODY POSITION <input type="text" value="mm"/> |      |

REMARKS



|         |          |      |                                   |         |          |      |
|---------|----------|------|-----------------------------------|---------|----------|------|
| MID LOW | MID HIGH | HIGH | <b>ROLL CENTER BOTTOM INSERTS</b> | MID LOW | MID HIGH | HIGH |
|---------|----------|------|-----------------------------------|---------|----------|------|



|   |  |
|---|--|
| <b>WEIGHT DISTRIBUTION</b>  |  |
| CAR WEIGHT  |  |
| BATTERY POS. <input type="checkbox"/> FR <input type="checkbox"/> MID <input type="checkbox"/> RR |  |