

# S400

CompetitionX  
A WEB SITE FOR THE SERIOUS RACER

INSTRUCTION MANUAL  
& REFERENCE GUIDE



## **INTRODUCTION**

Serpent enters the competitive electric touring car market with the S400, which like all our previous cars, has been designed to win straight from the box. Featuring an ultra low center of gravity, optimised weight distribution, high performance geometry and top quality materials throughout, the S400 should see you in the winners circle in no time. In fact everything associated with this car is of the highest quality, from the packaging and supplied manuals, right through to the product and race support.

## **INSTRUCTIONS**

Serpent's long tradition of excellence extends to their instruction manuals, and this instruction manual is no exception. The easy-to-follow layout is richly illustrated with 3D-rendered full-color images to make your building experience quick and easy. Following the instructions will result in a well-built, high-performance racecar that will soon be able to unleash its full potential at the racetrack.

## **SETUP**

In certain assembly steps you need to make basic adjustments, which will give you a good initial setup for

your Serpent S400. Fine-tuning the initial setup is an essential part of building a high-performance racecar like your S400. The separate Serpent S400 Setup Book is an excellent resource to aid you in making those adjustments on your car.

## **EXPLODED VIEWS AND PARTS LIST**

The exploded views and parts lists for the Serpent S400 are presented in the Reference Guide section in the back of this manual. The exploded views show all the parts of a particular assembly step along with the Serpent part number. The parts lists indicate the part number and name of each part for easy reference when ordering.

## **SAFETY**

Included with your Serpent S400 kit is a document entitled "Read This First" that covers safety precautions for the assembly and use of this product. We strongly recommend that you thoroughly read and understand that document, and follow all the precautions.

# SERPENT.COM

The printed instruction manual included with your Serpent S400 kit is very complete, though due to continuous product development, more up-to-date information may be provided at our Serpent.com website.

All information about the Serpent S400 is accessible from the Serpent S400 product page found on Serpent.com and can be accessed by simply typing **serpent.com/400001** into your web browsers address bar.

From the Serpent S400 product page you will find the very latest information about your Serpent S400: reports by team drivers and other experts, tips and tricks, setups, image gallery and downloadable files including the latest version of the instruction manual will be made available as downloadable PDF files.

## CONTENTS

### ASSEMBLY INSTRUCTIONS

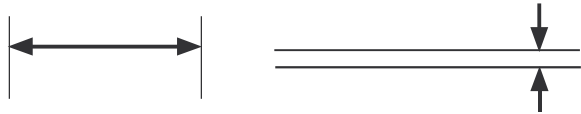
A	REAR ASSEMBLY	6
B	CENTRAL ASSEMBLY	16
C	FRONT ASSEMBLY	19
D	LINKAGE ASSEMBLY	24
E	SHOCK ASSEMBLY & MOUNTING	31
F	FINAL ASSEMBLY	37

### REFERENCE GUIDE

>	REAR ASSEMBLY	45
>	CENTRAL ASSEMBLY	46
>	FRONT ASSEMBLY	47
>	LINKAGE ASSEMBLY	48
>	SHOCK ASSEMBLY	49
>	TOWER MOUNTING	50
>	FINAL ASSEMBLY	51
>	PARTS LIST	52

# USING THE MANUAL

①



Step number; the order in which you should assemble the indicated parts

Length after assembly / Gap between two items

Assembly path of one item into another

Group of items (within lines) should be assembled first

Direction the item should be moved

Glue one item to another

Press/Insert one item into another

Connect one item to another



Apply transmission grease (Grey), threadlock\* (Blue), CA glue\* (Red) or differential grease (Orange). (\*Items not included.)

CompetitionX  
A WEB SITE FOR THE SERIOUS RAGER

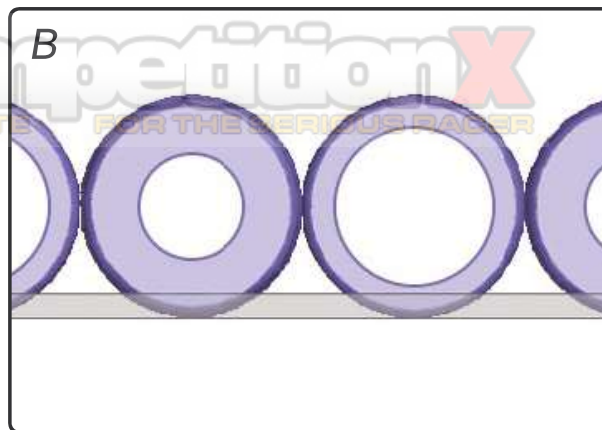
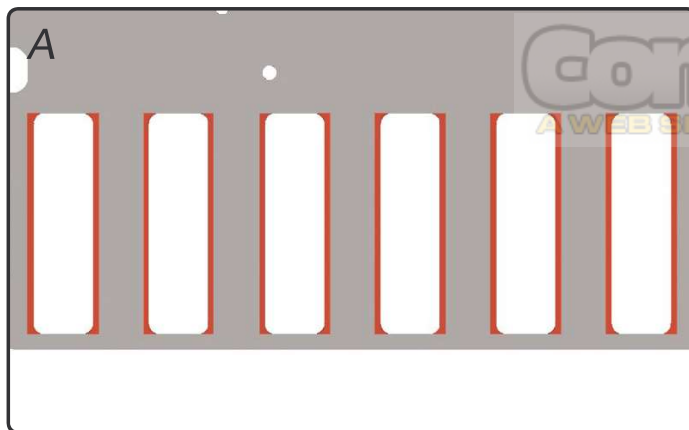
# ASSEMBLY INSTRUCTIONS

competitionX  
A WEB SITE FOR THE SERIOUS RAGER

①

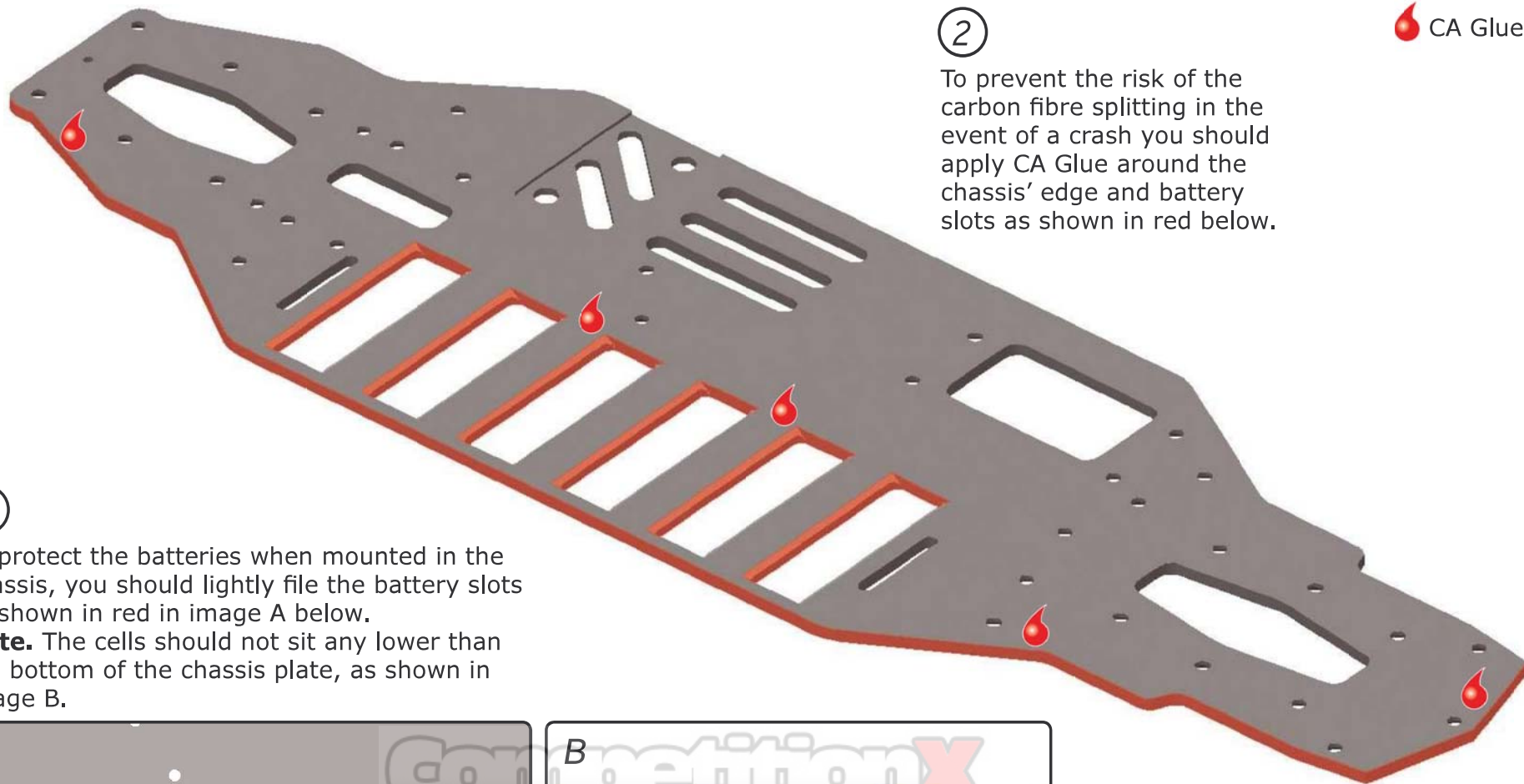
To protect the batteries when mounted in the chassis, you should lightly file the battery slots as shown in red in image A below.

**Note.** The cells should not sit any lower than the bottom of the chassis plate, as shown in image B.



②

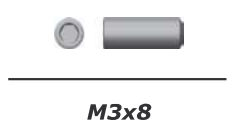
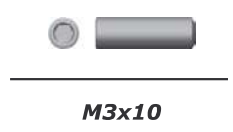
To prevent the risk of the carbon fibre splitting in the event of a crash you should apply CA Glue around the chassis' edge and battery slots as shown in red below.

 CA Glue



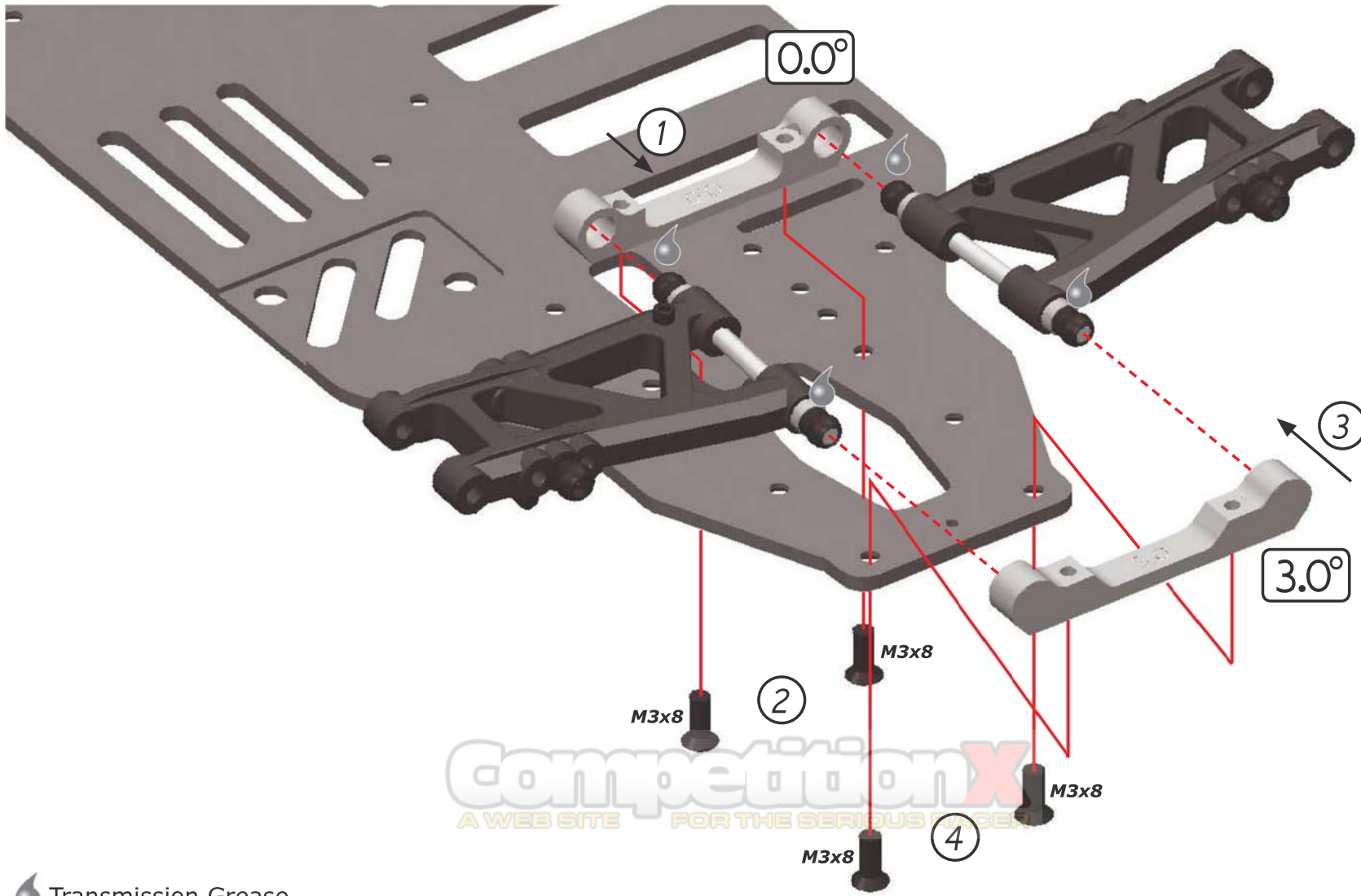
 Transmission Grease

Fasteners  
1:1  

M3x10

M3x8



 Transmission Grease



Fasteners  
1:1

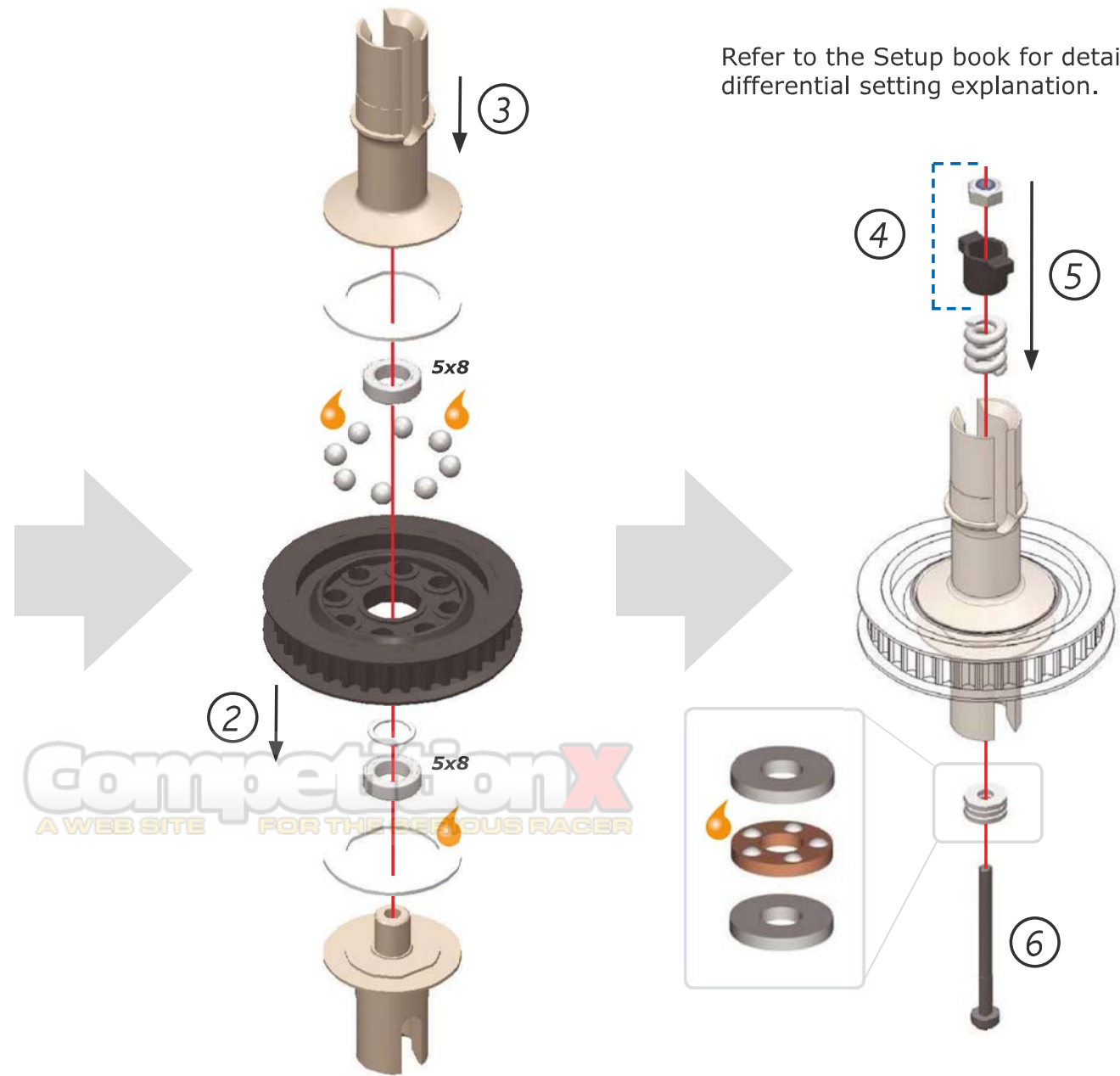


CompetitionX  
A WEB SITE FOR THE SERIOUS RIDER

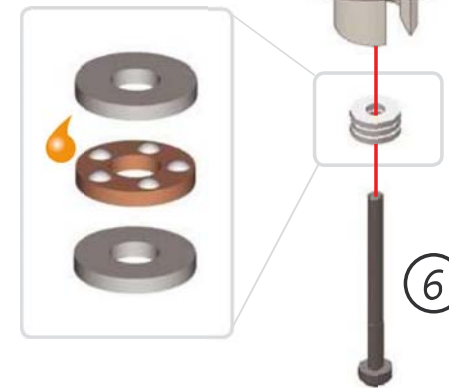


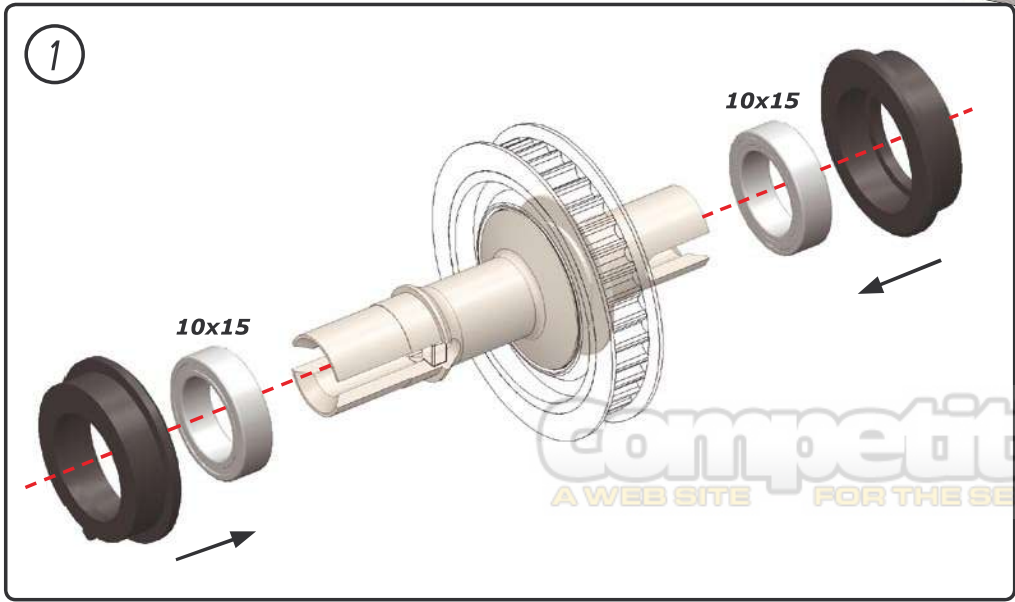
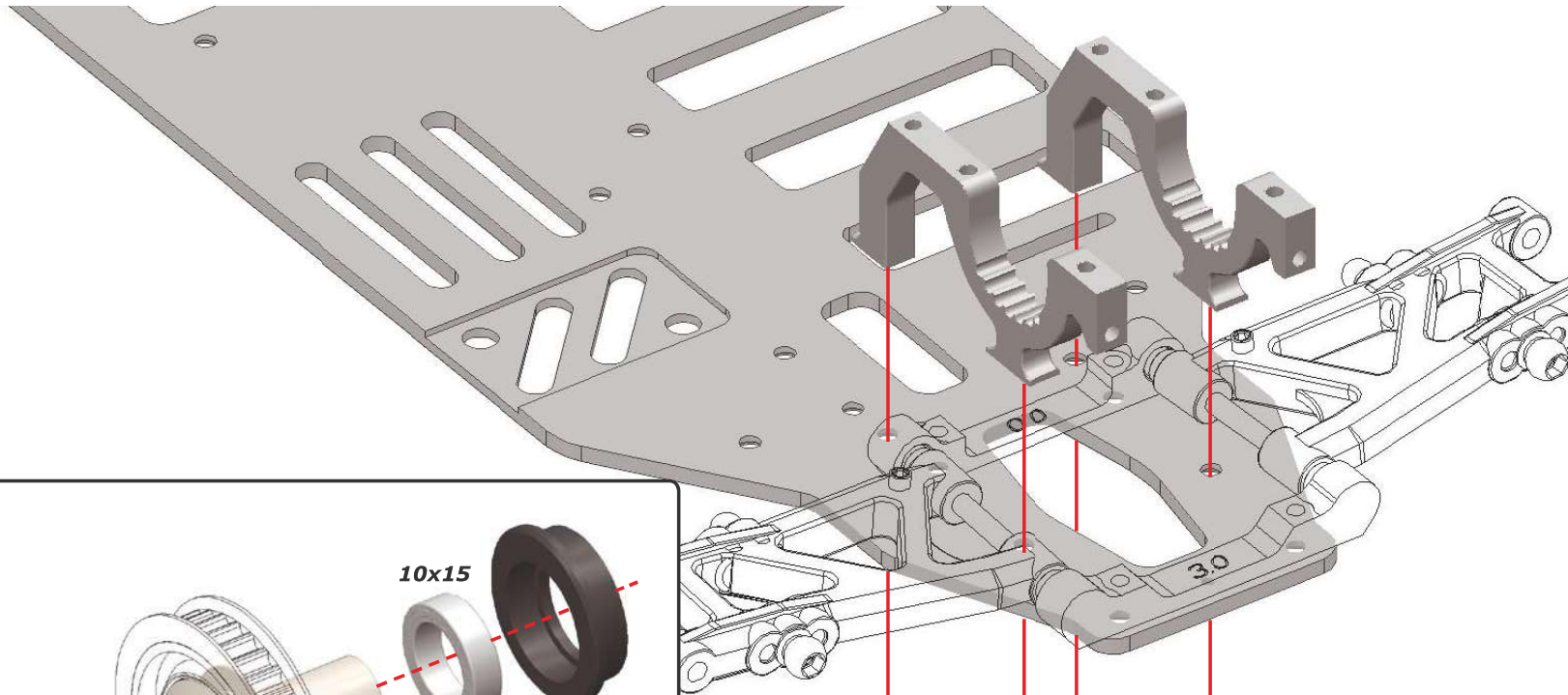


-  CA Glue
-  Differential Grease



Refer to the Setup book for detailed differential setting explanation.





M3x8

M3x8

2

M3x8

M3x8

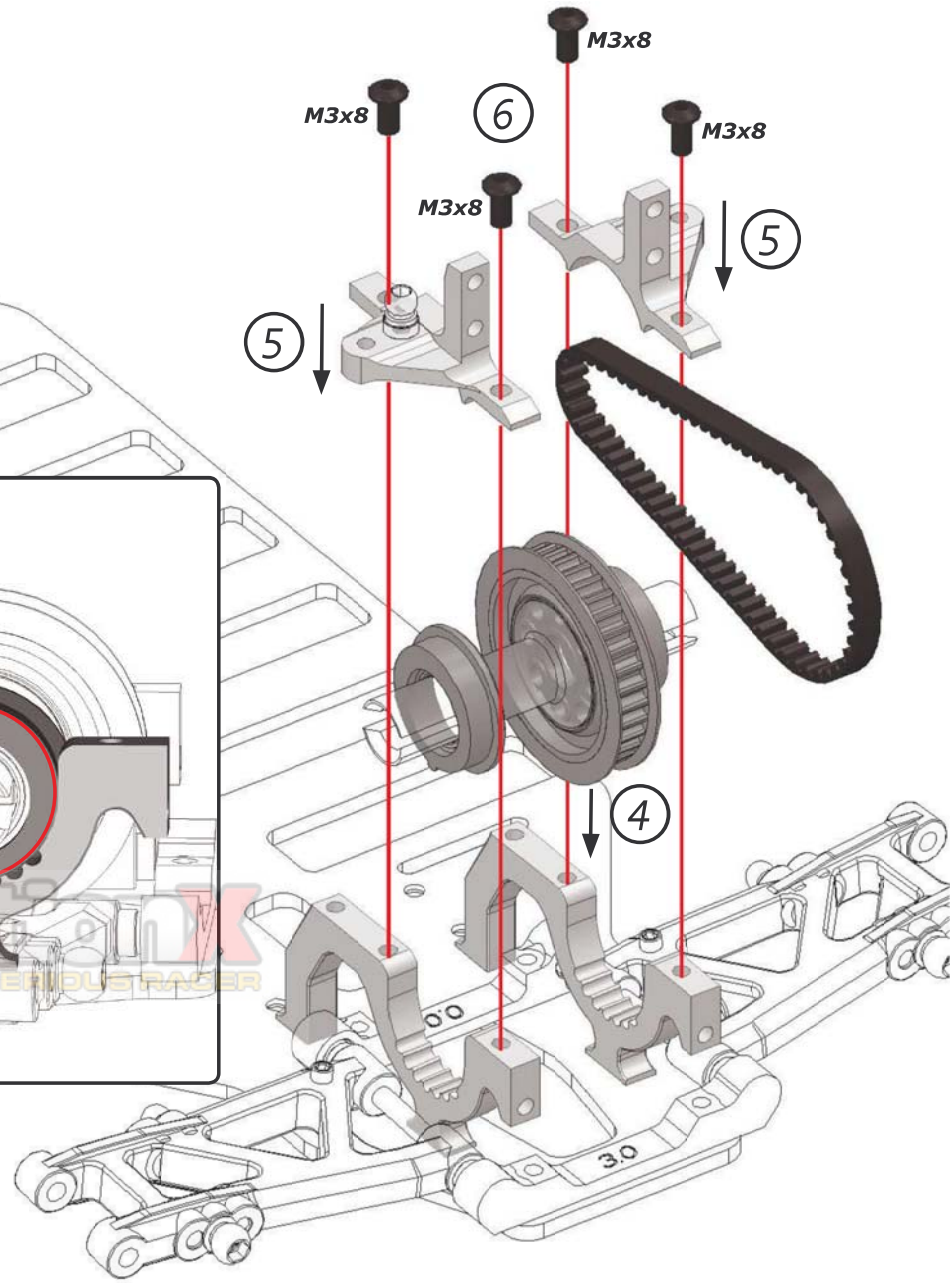
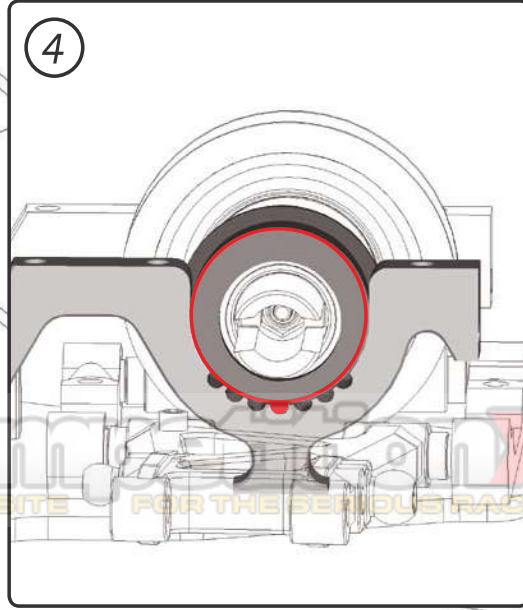
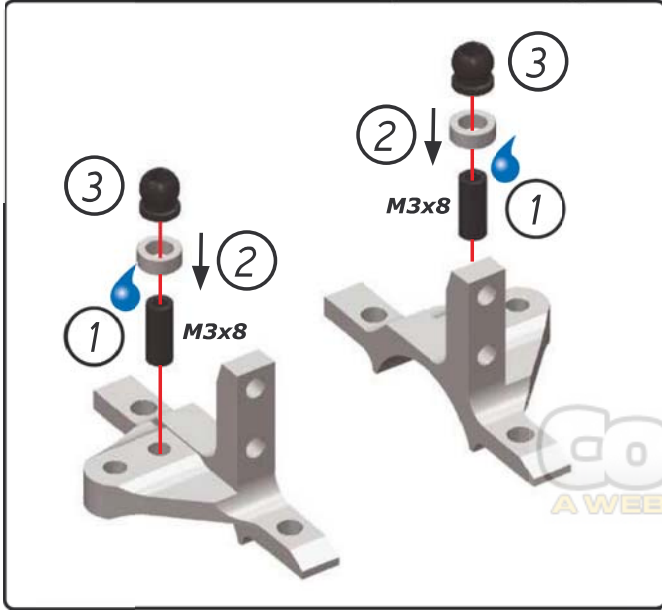
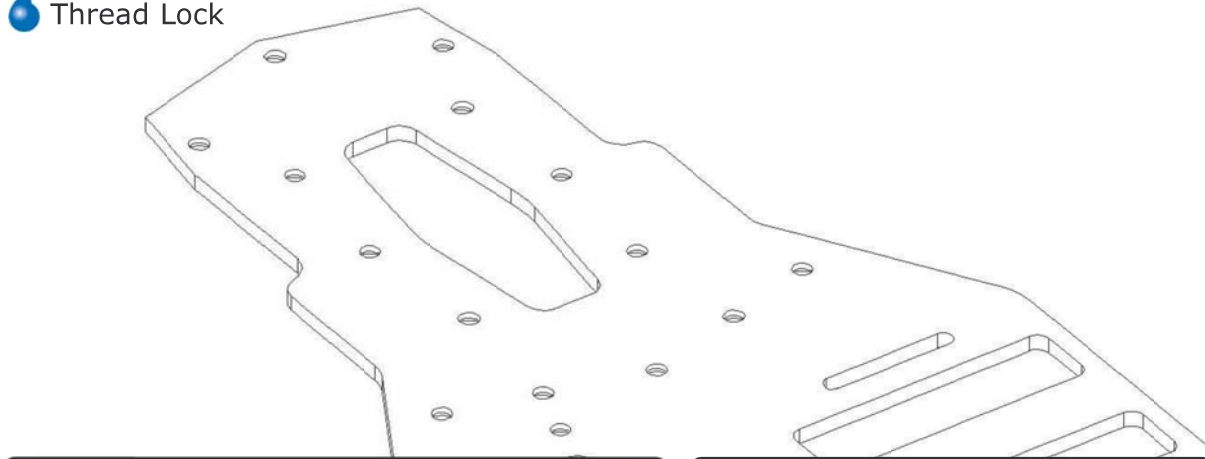
Fasteners  
1:1



M3x8

competition  
A WEB SITE FOR THE SERIOUS RAGER

Thread Lock

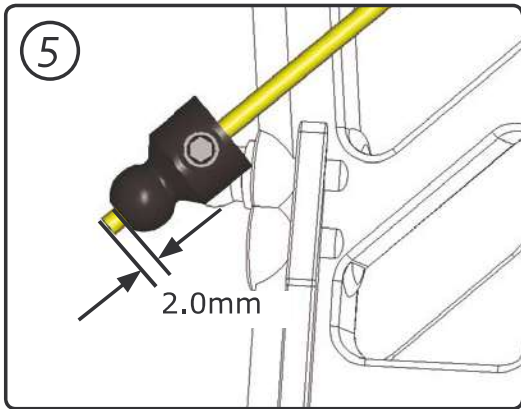
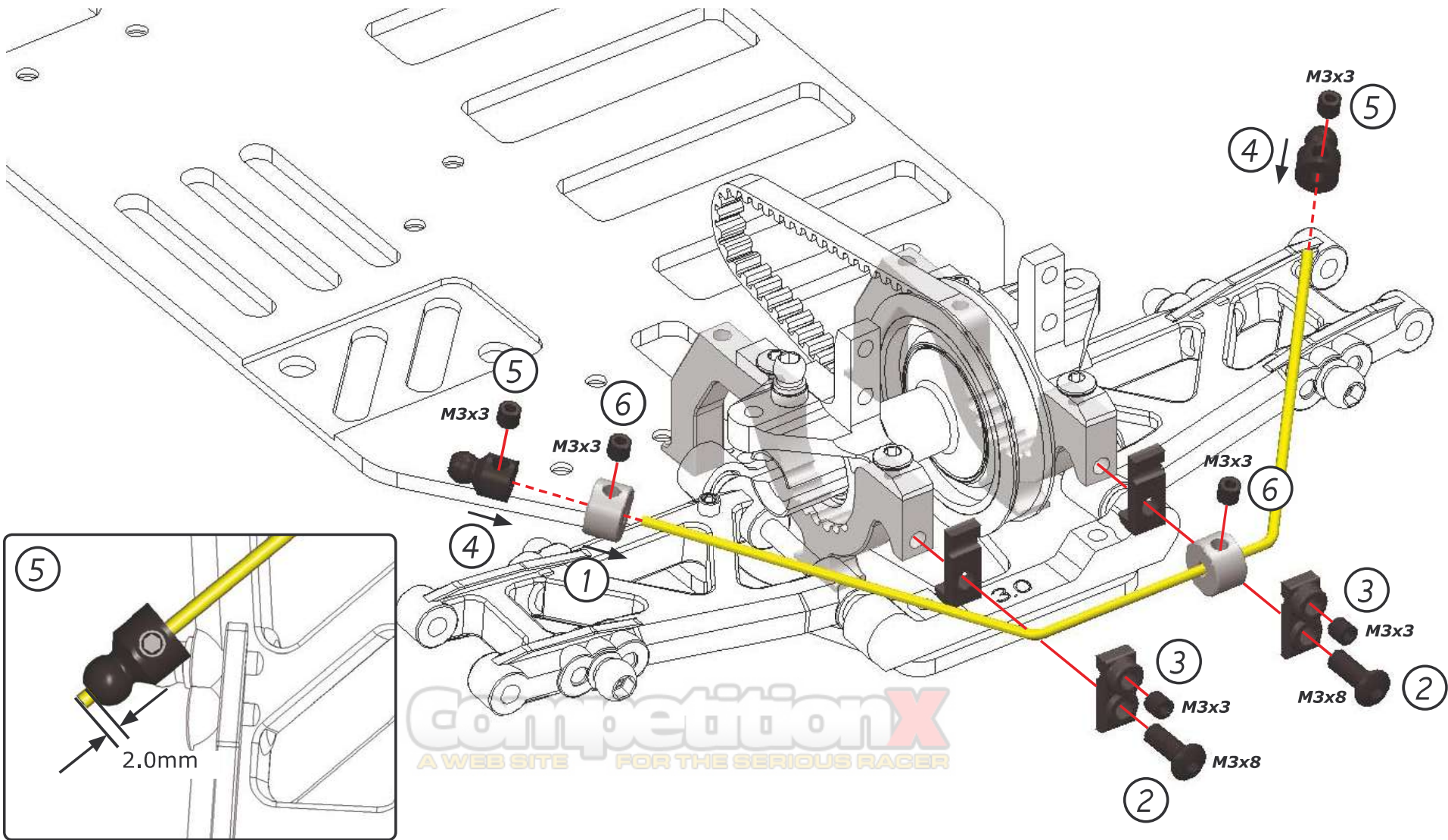


Fasteners

1:1



M3x8



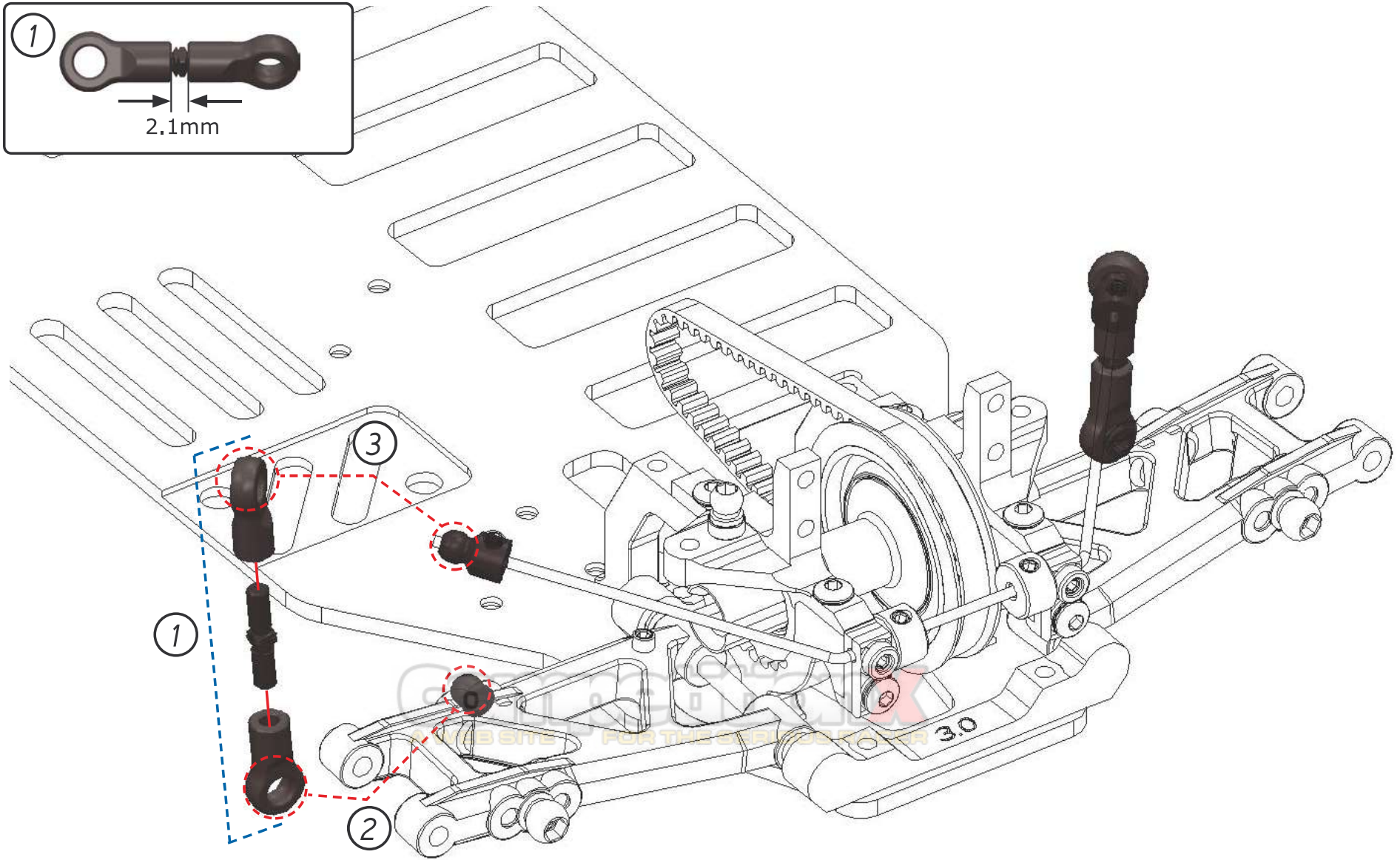
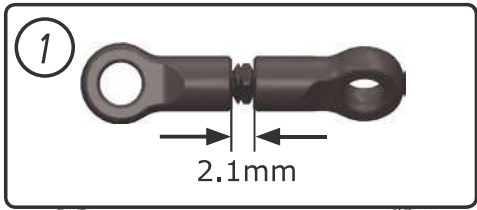
Fasteners  
1:1

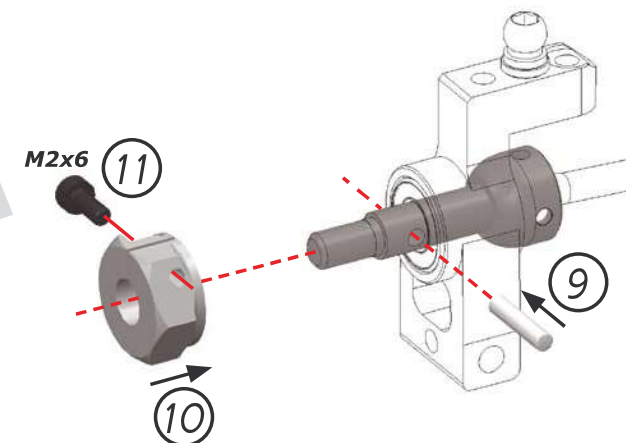
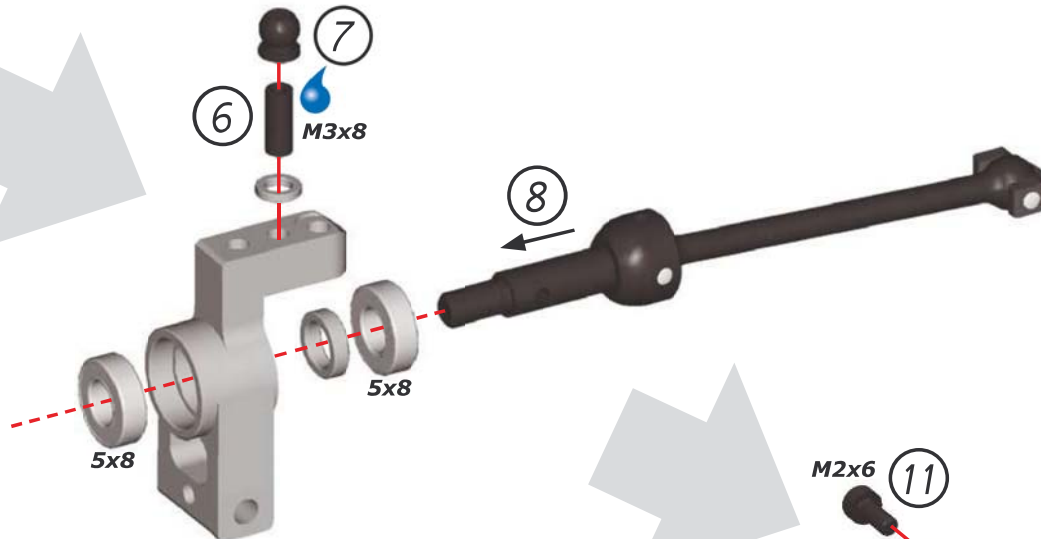
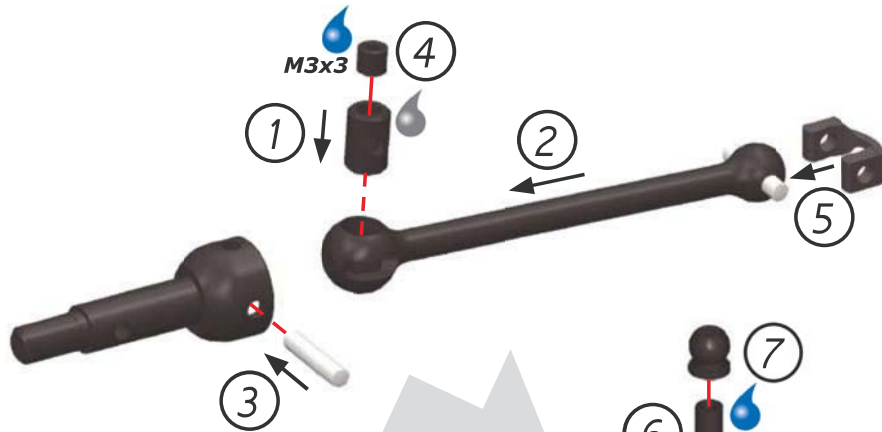


M3x8



M3x3



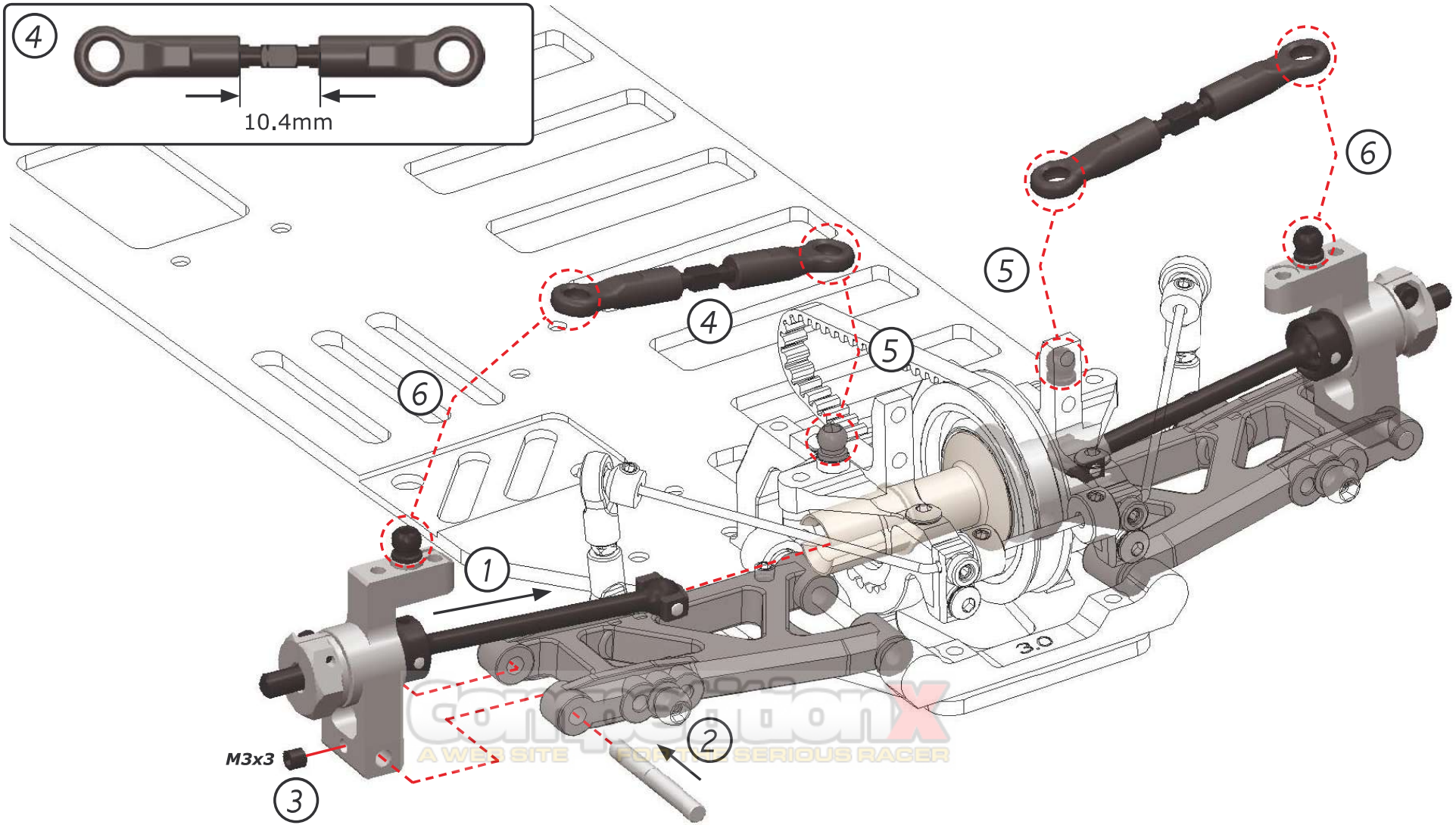
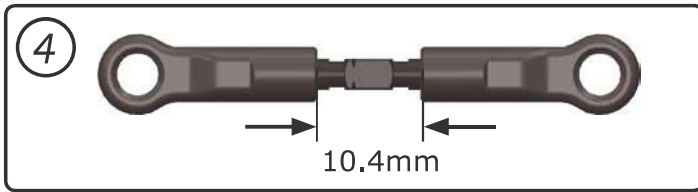


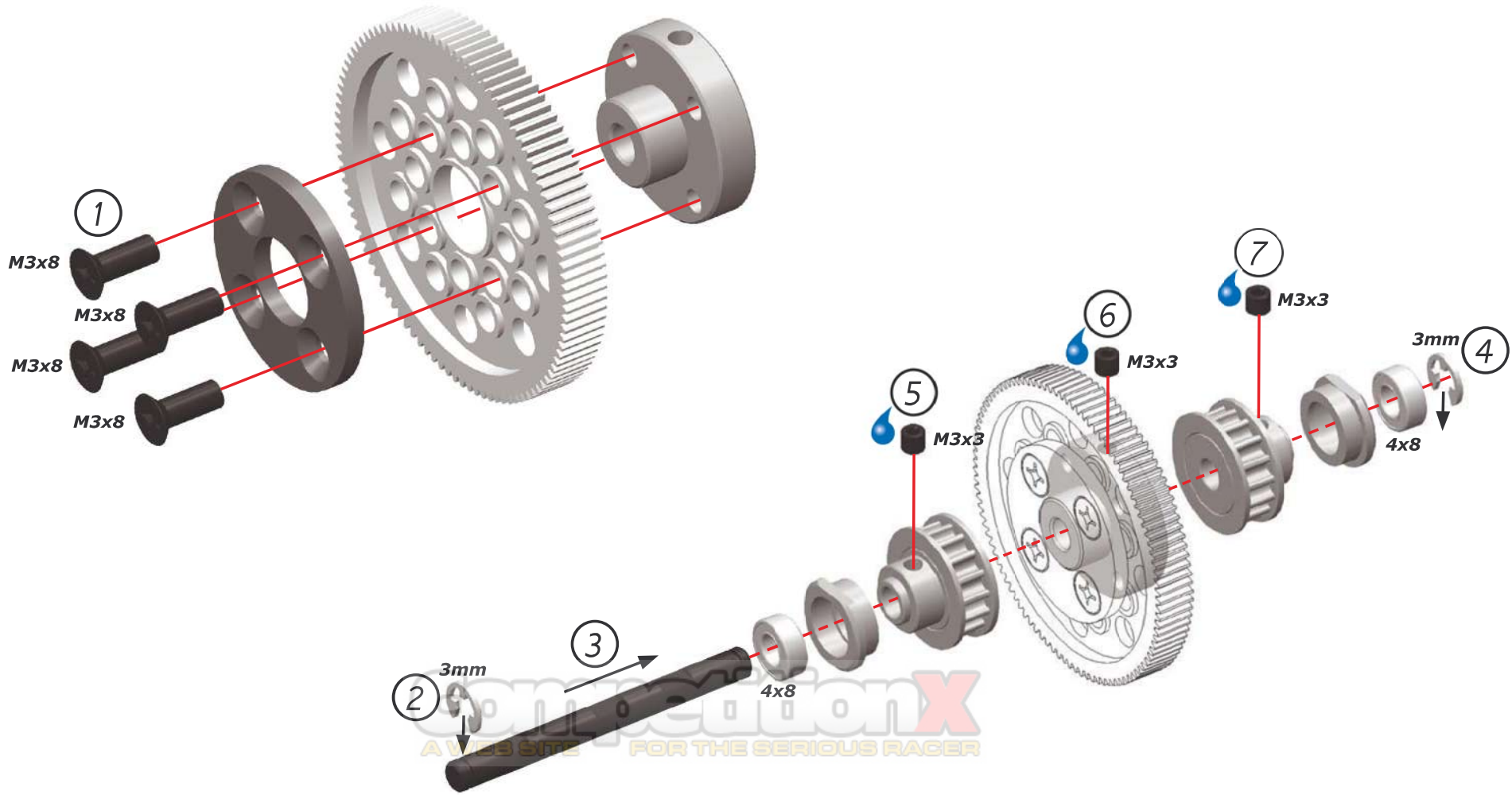
CompetitionX  
A WEB SITE FOR THE SERIOUS RAGER


- Transmission Grease
- Thread Lock

Fasteners  
1:1




M3x8	M3x3	M2x6



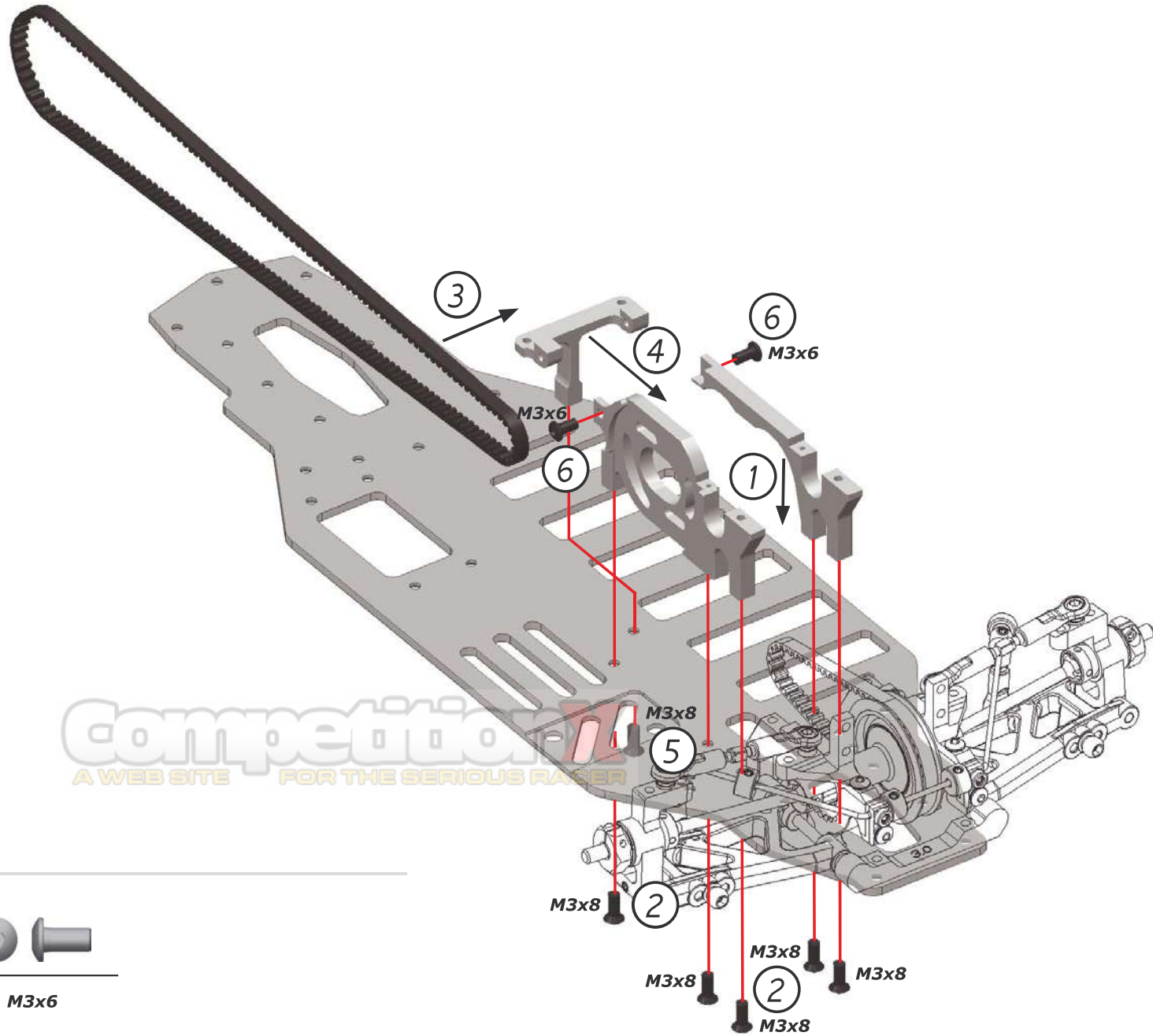


 Thread Lock

Fasteners  
1:1

		
M3x8	M3x3	3mm





Fasteners

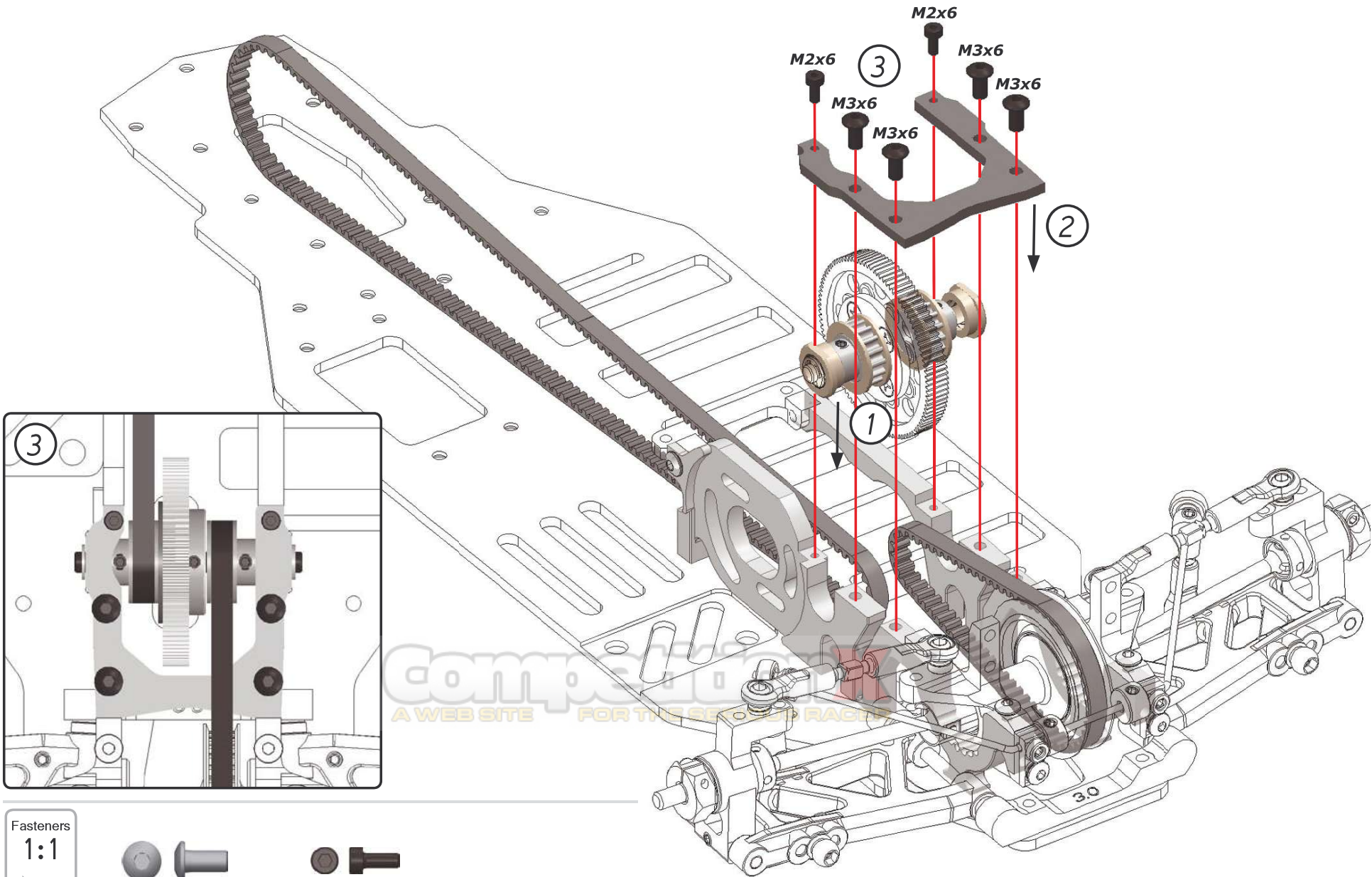
1:1



M3x8



M3x6



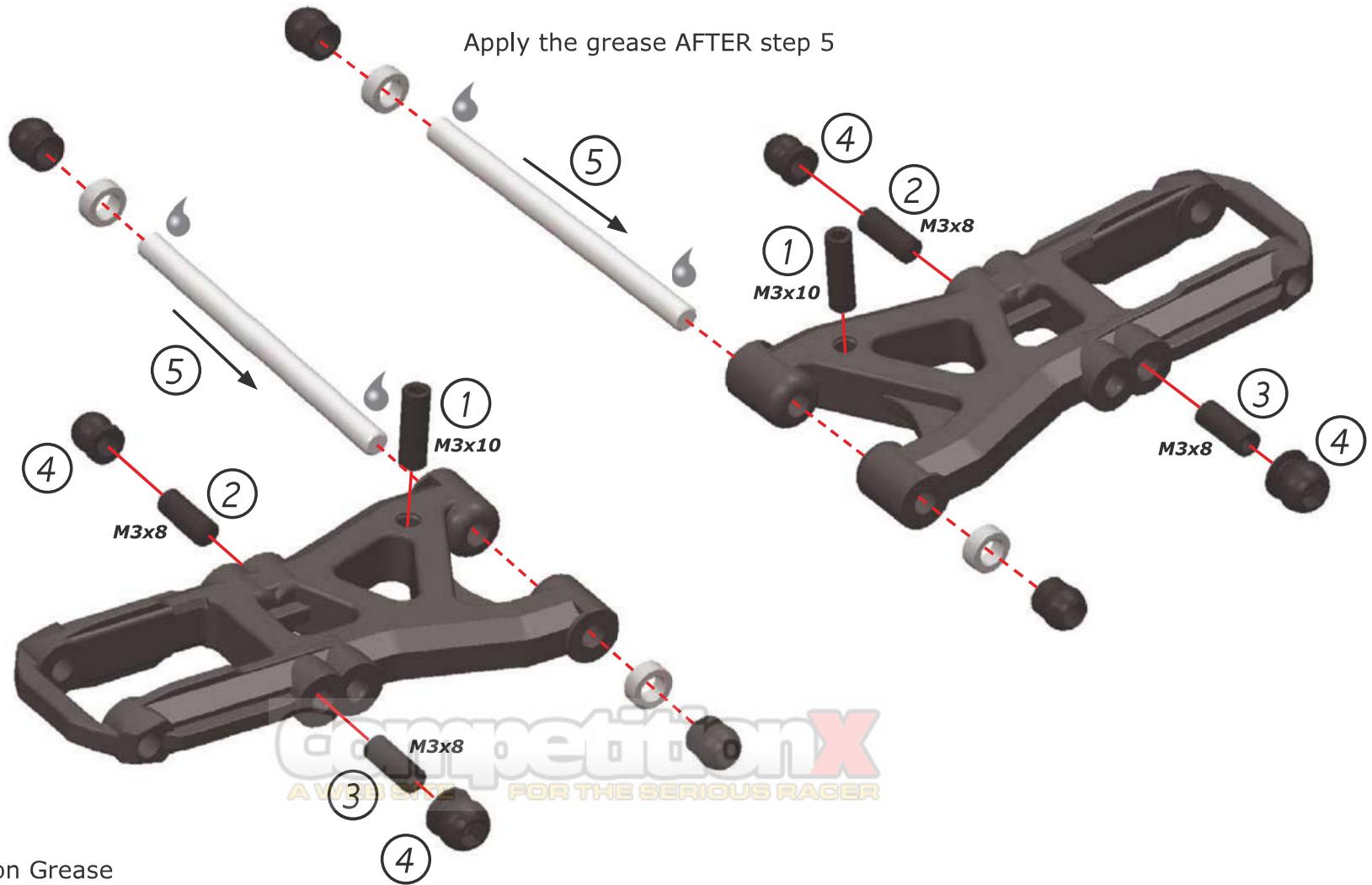
Fasteners  
1:1



M3x6



M2x6



Transmission Grease

Fasteners

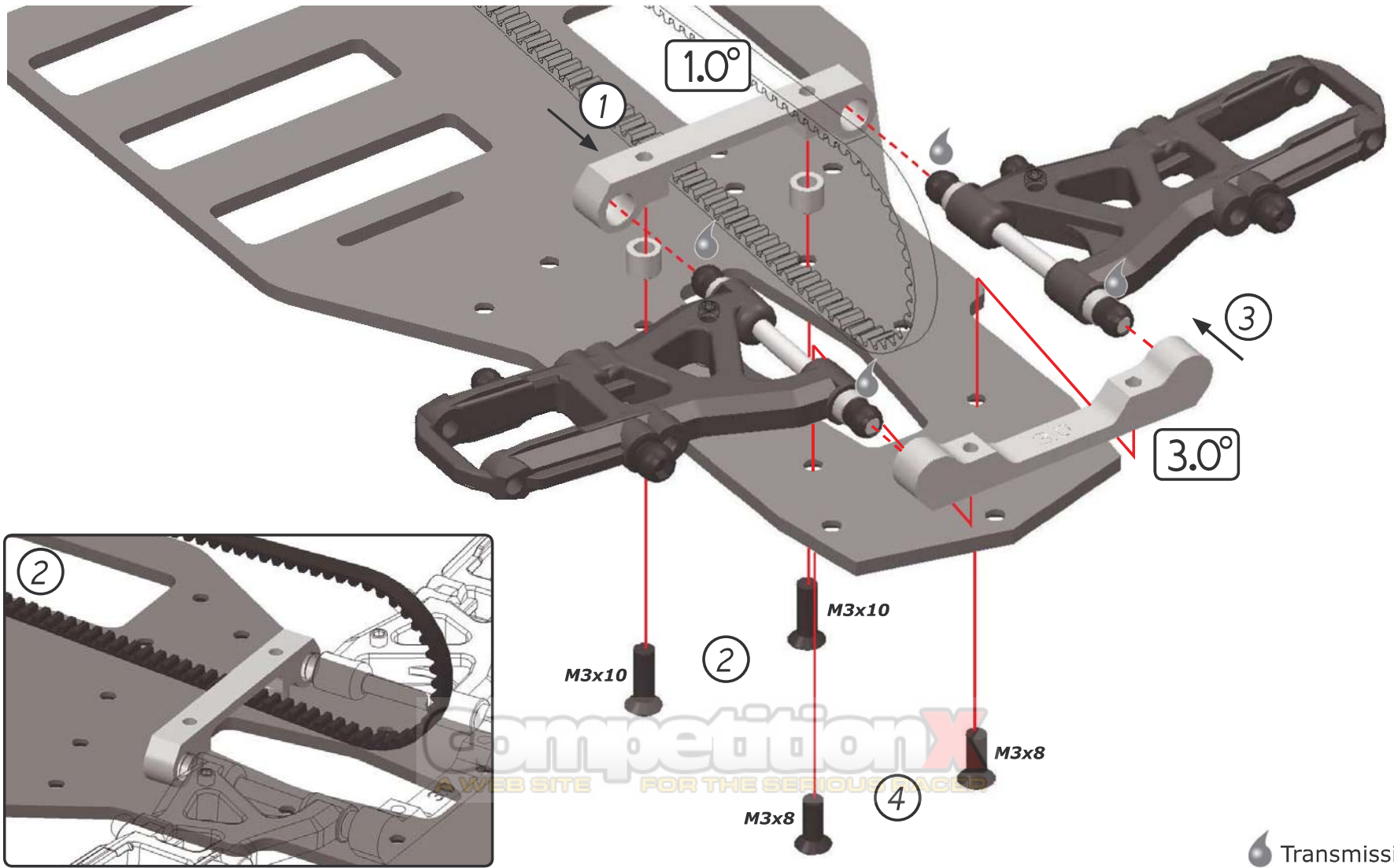
1:1



M3x10

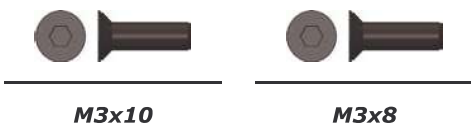


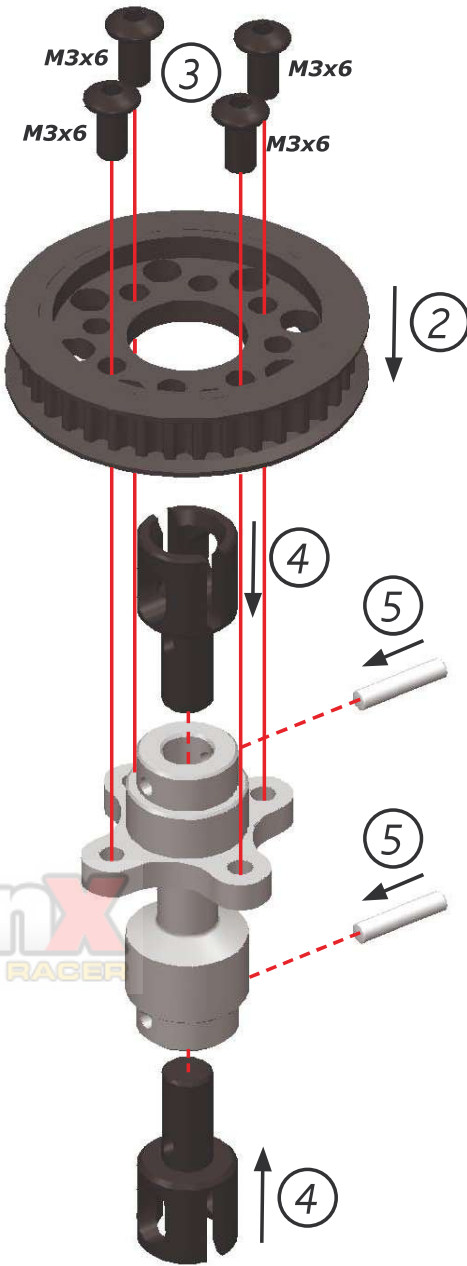
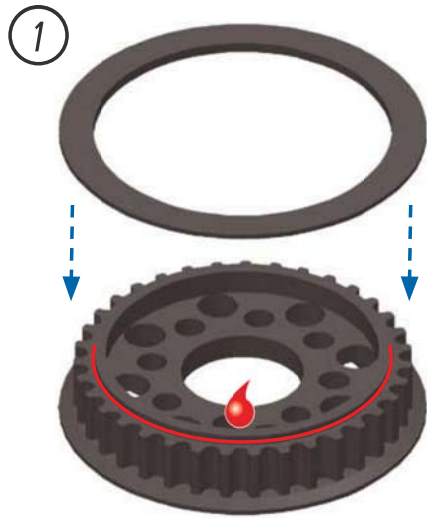
M3x8



Transmission Grease

Fasteners  
1:1





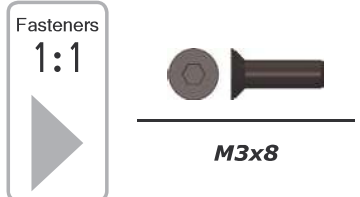
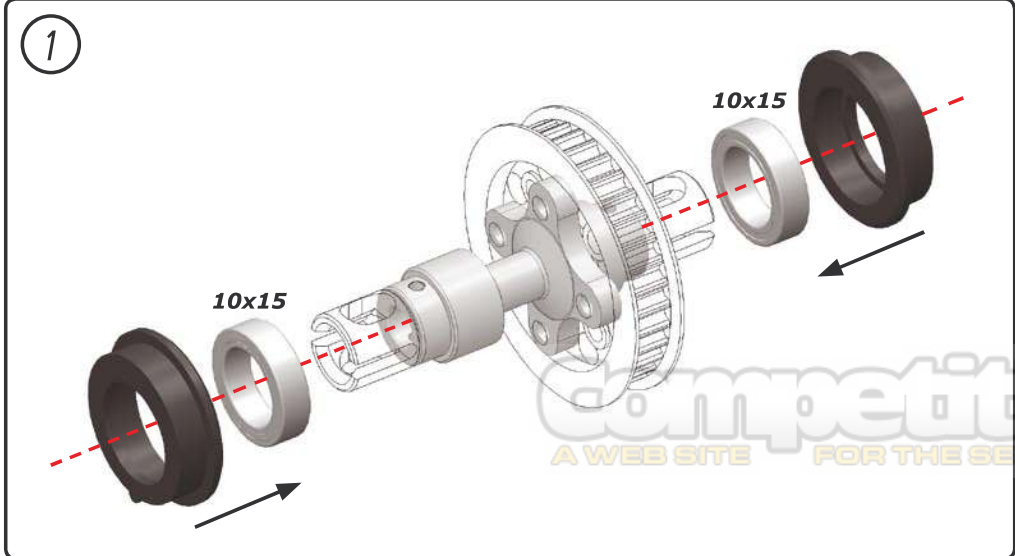
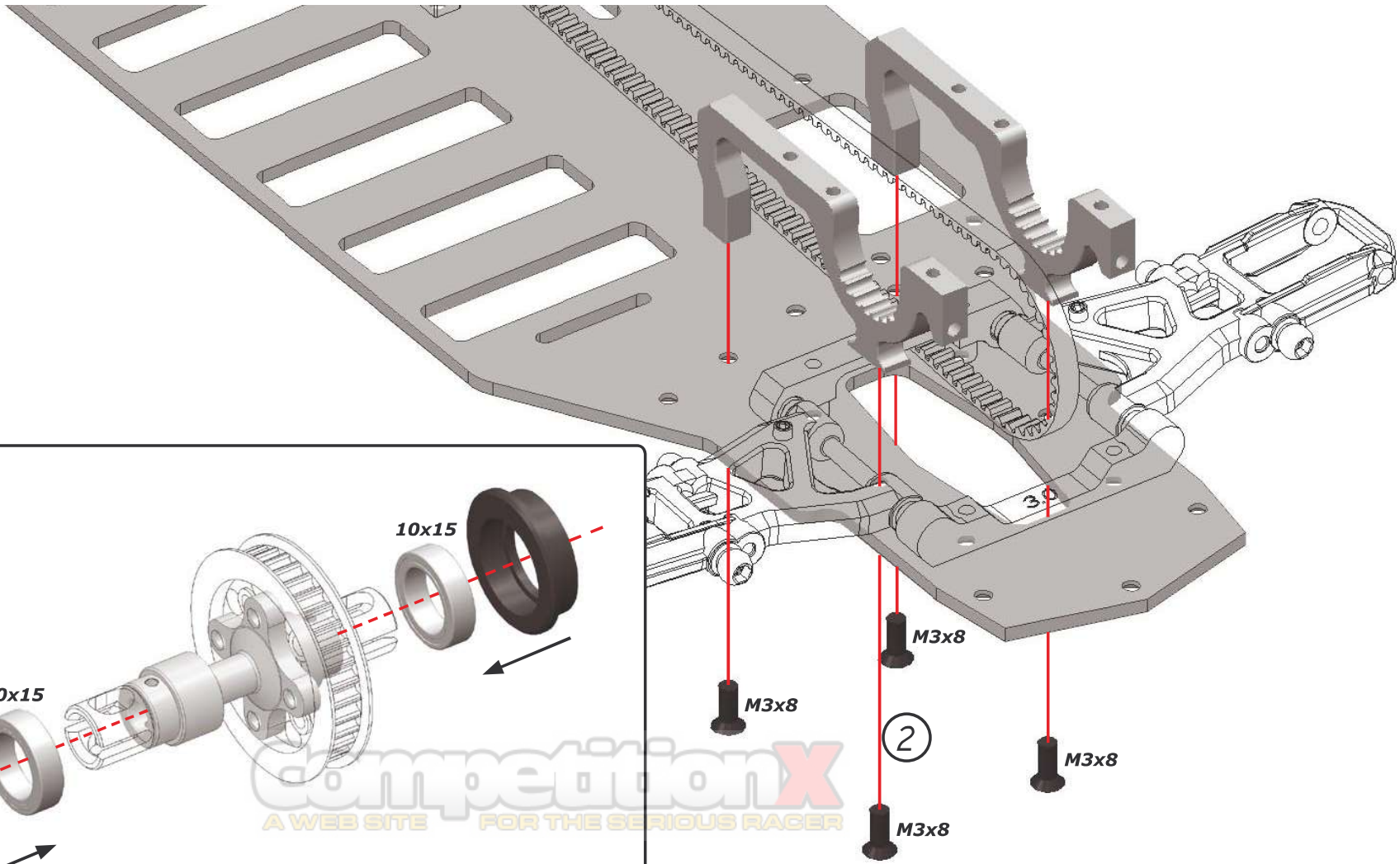
CompetitionX  
A WEB SITE FOR THE SERIOUS RAGER

 CA Glue

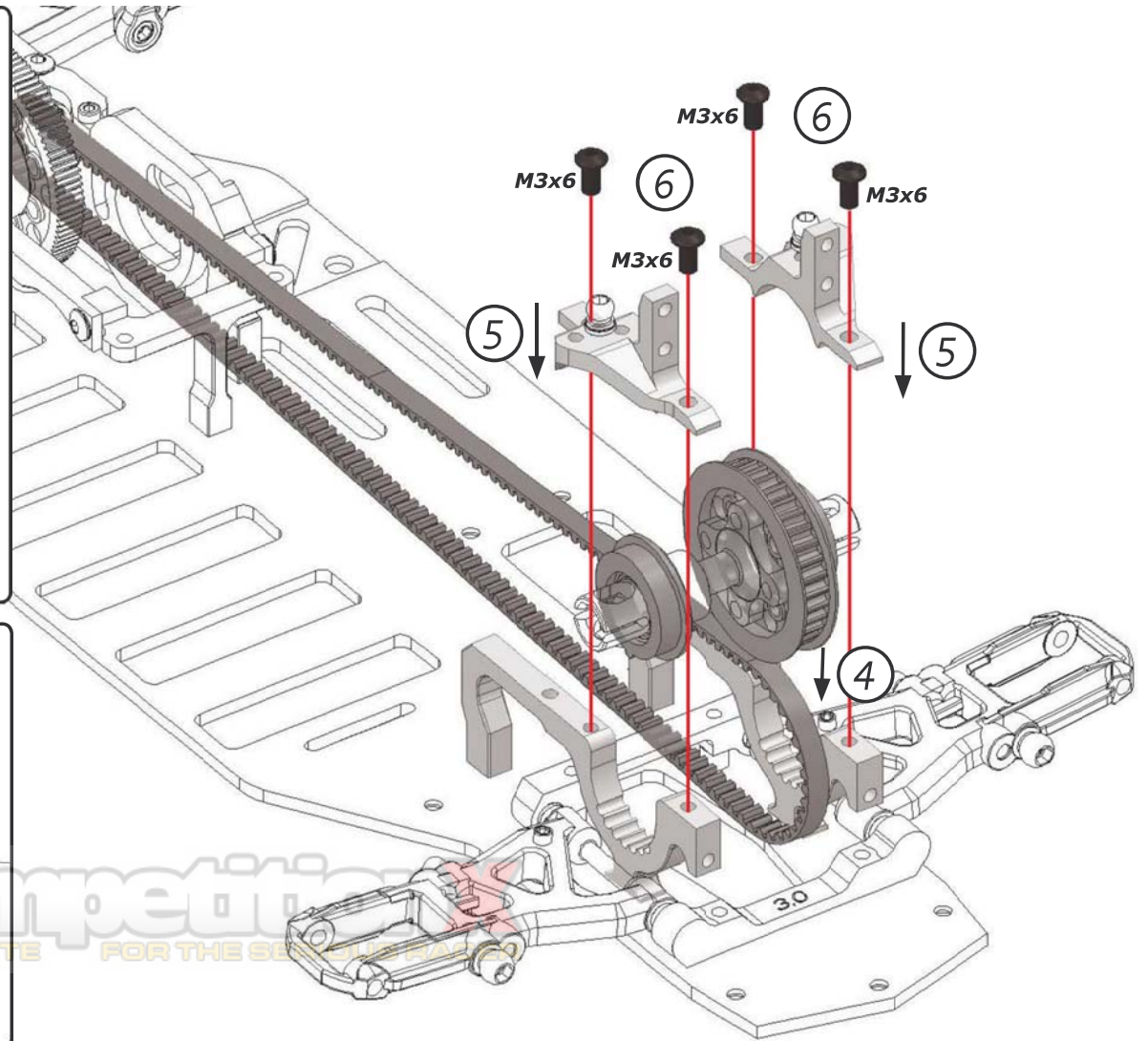
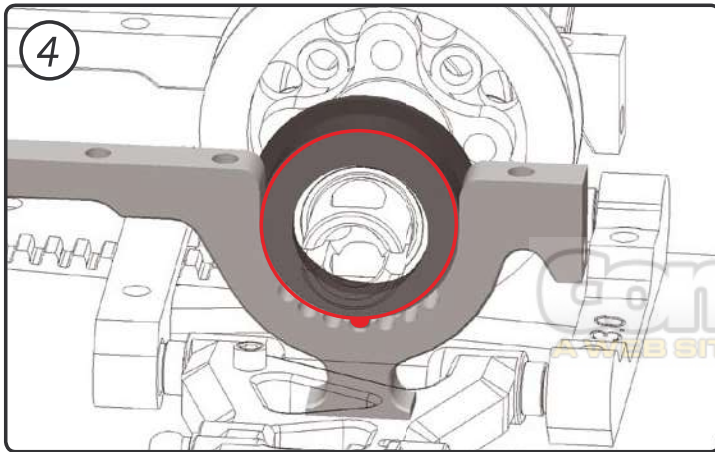
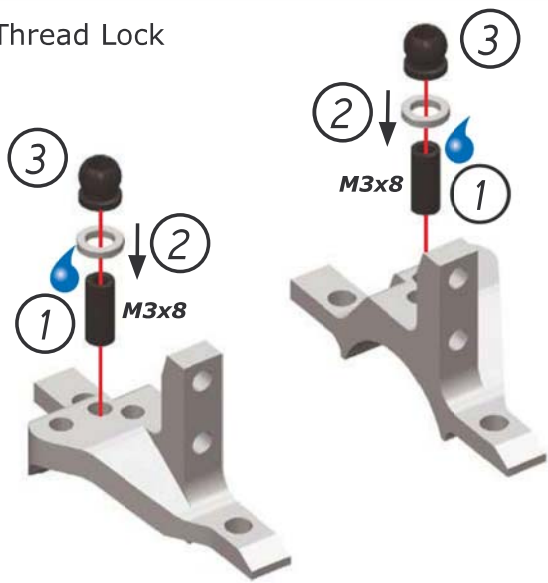
Fasteners  
1:1  




M3x6



Thread Lock



Fasteners

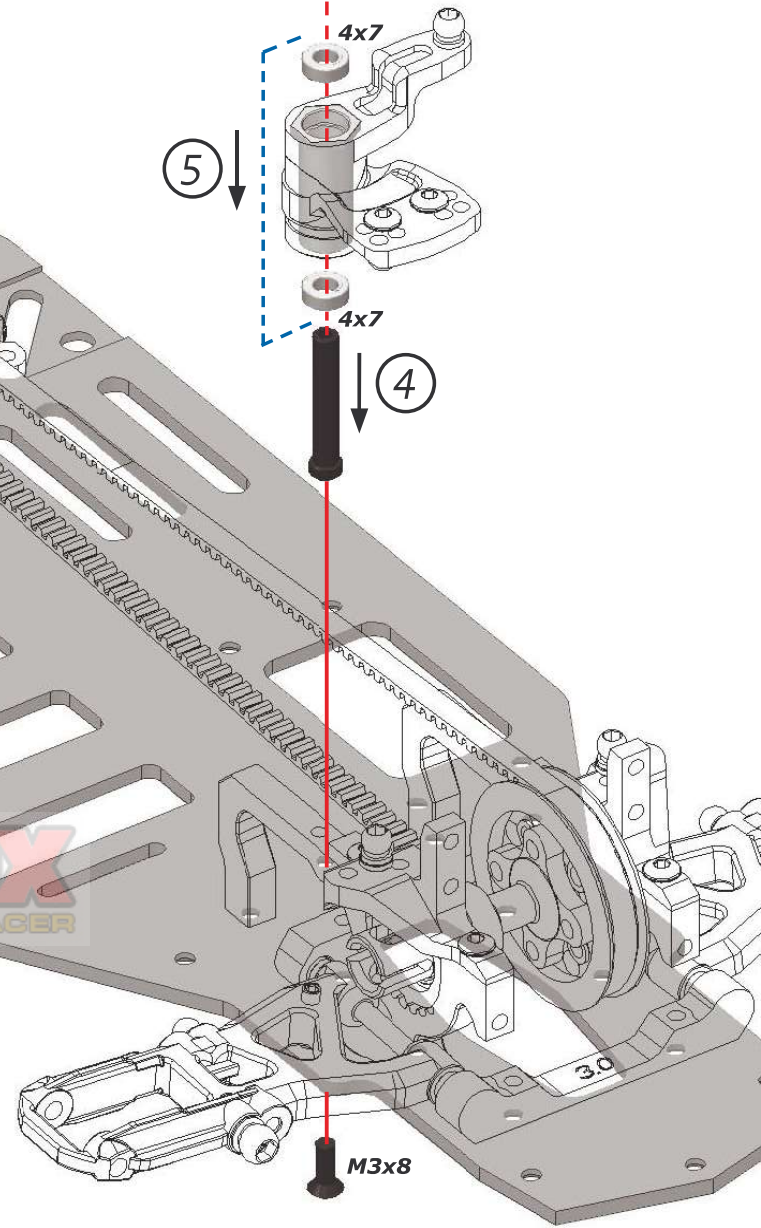
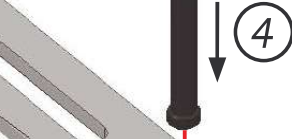
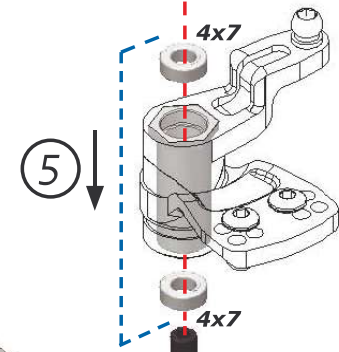
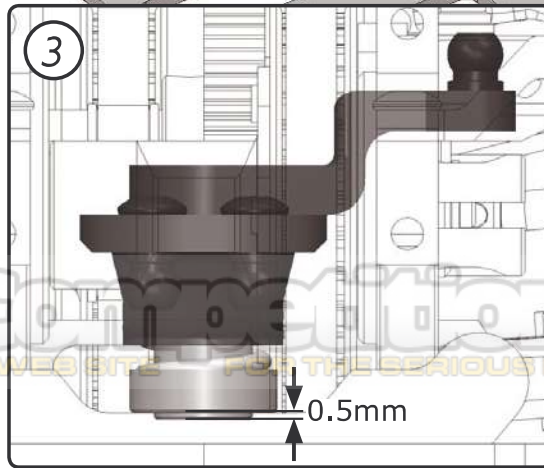
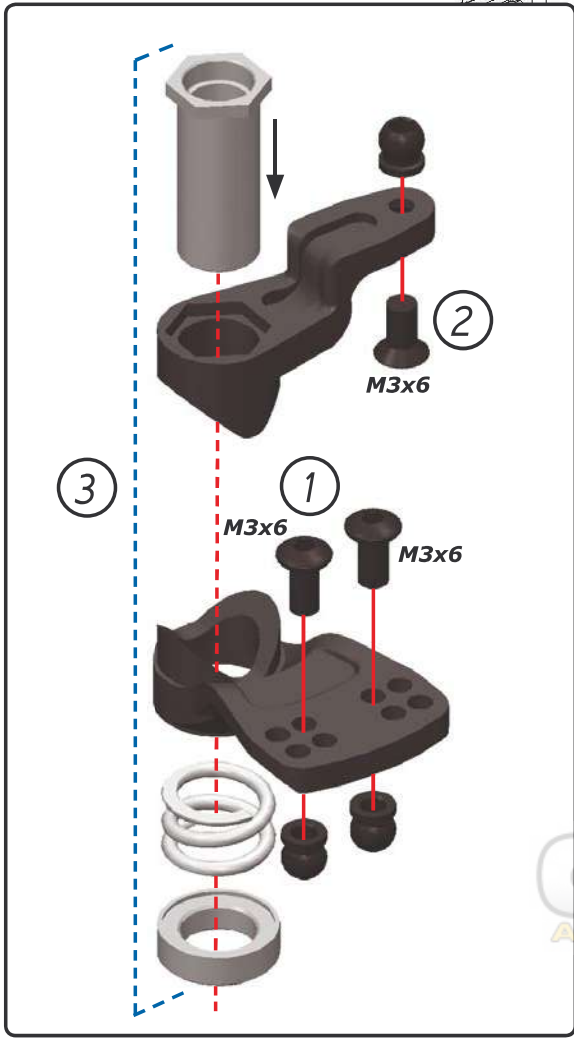
1:1



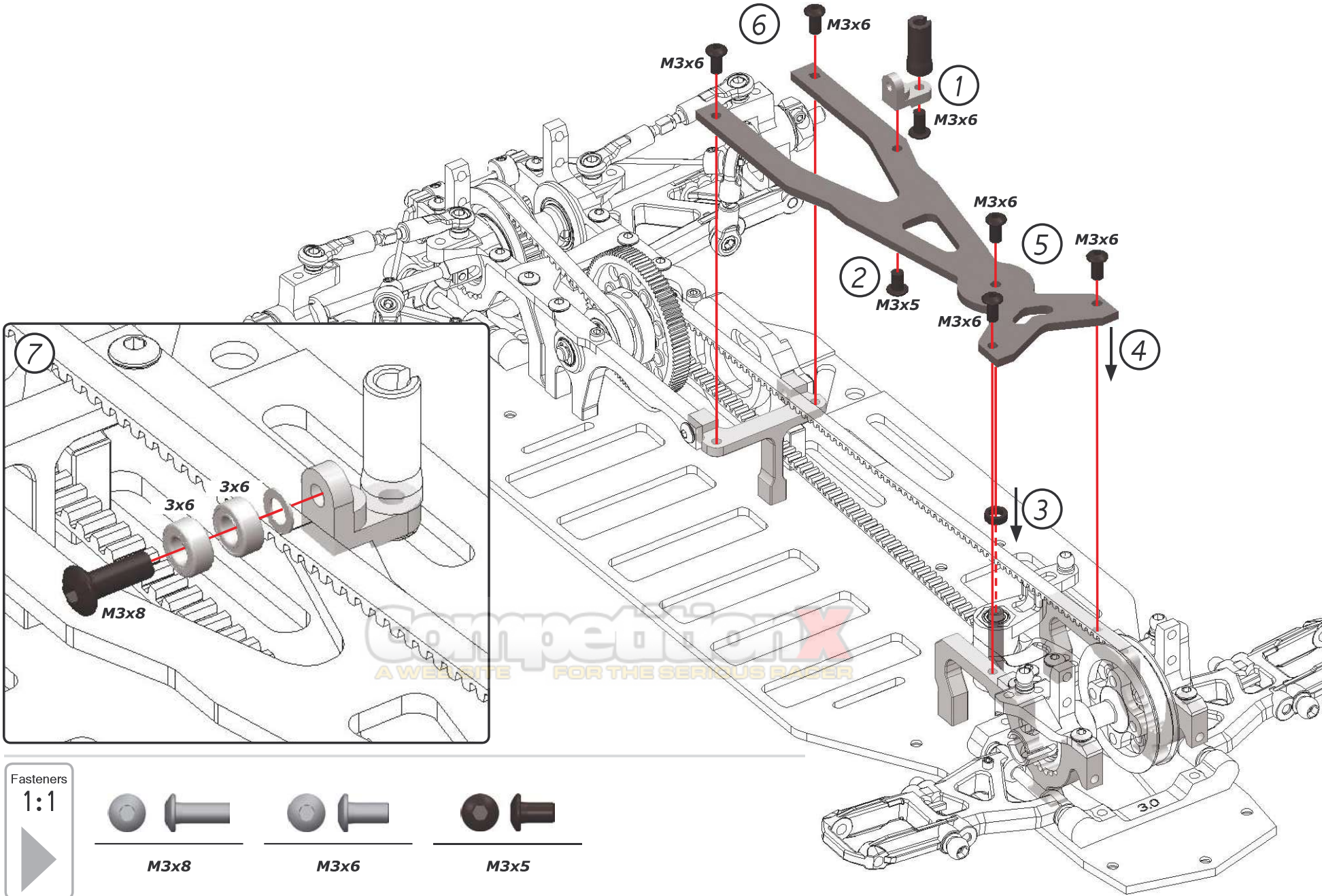
M3x6

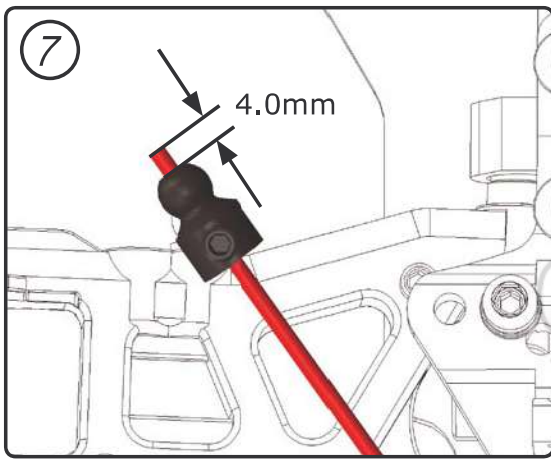
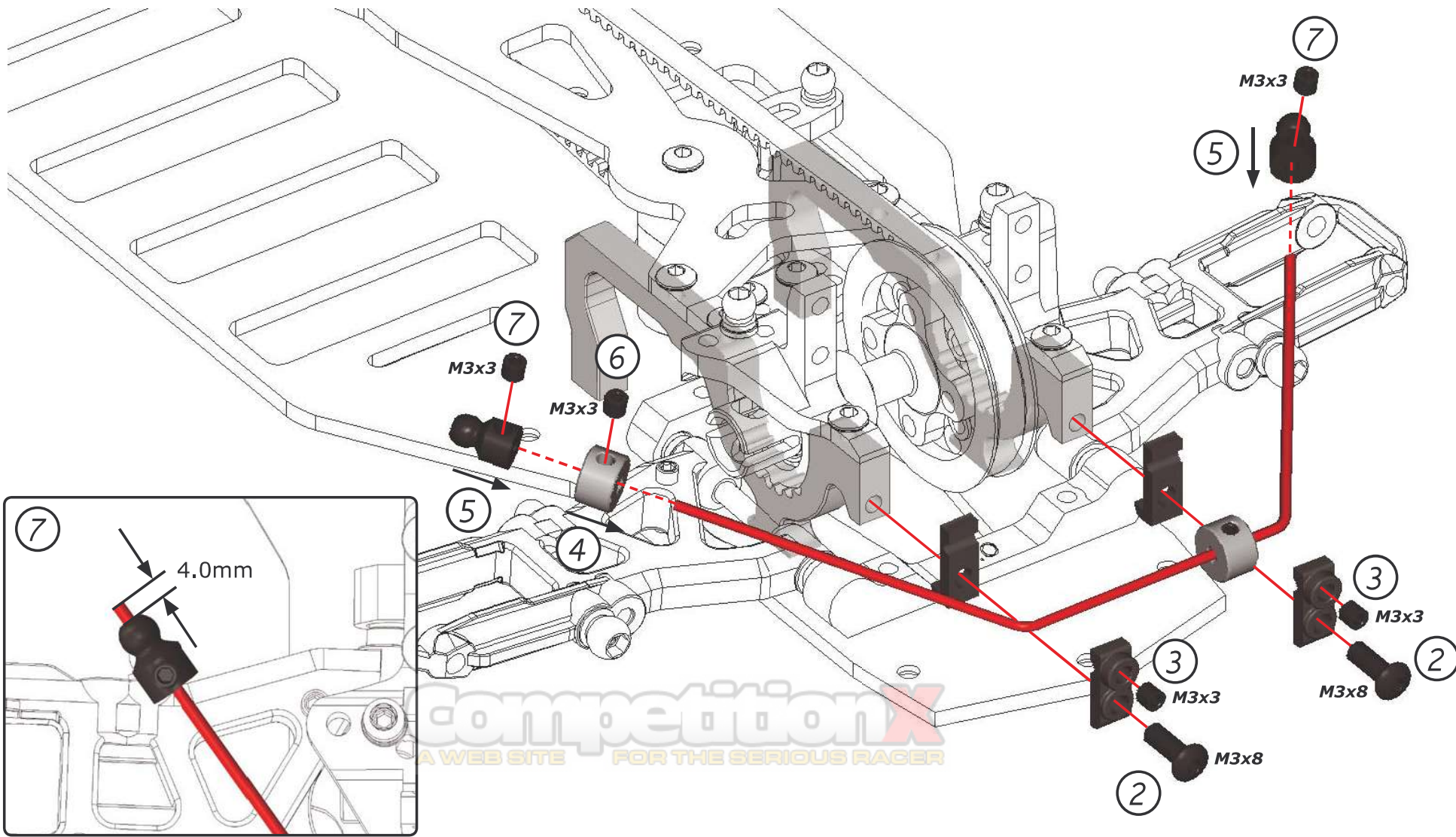


M3x8



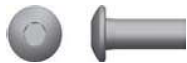






Fasteners

1:1

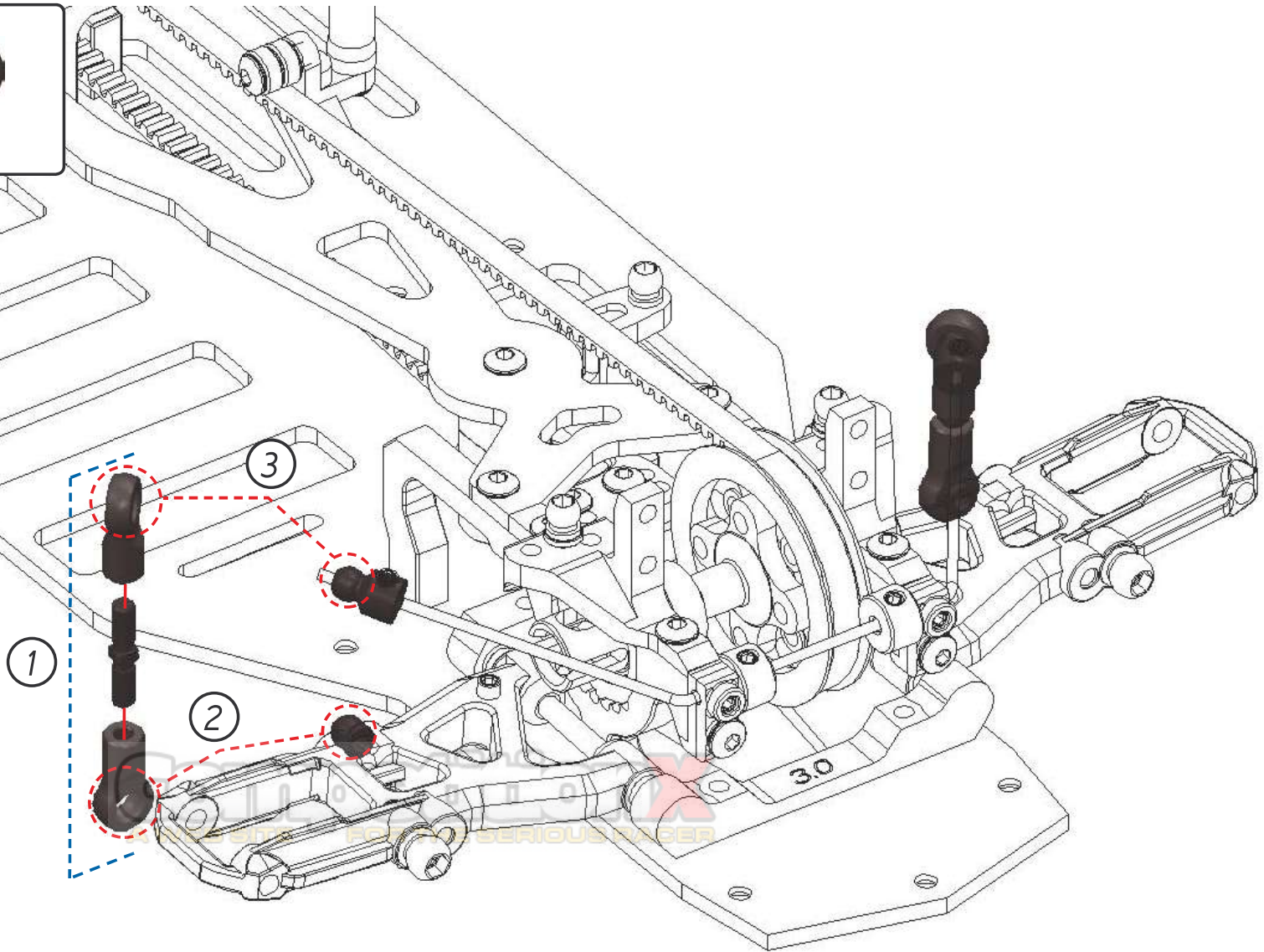
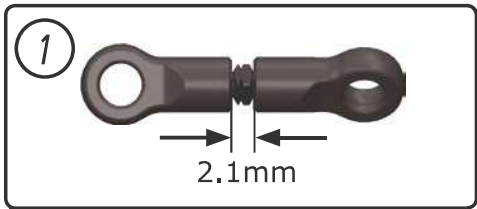


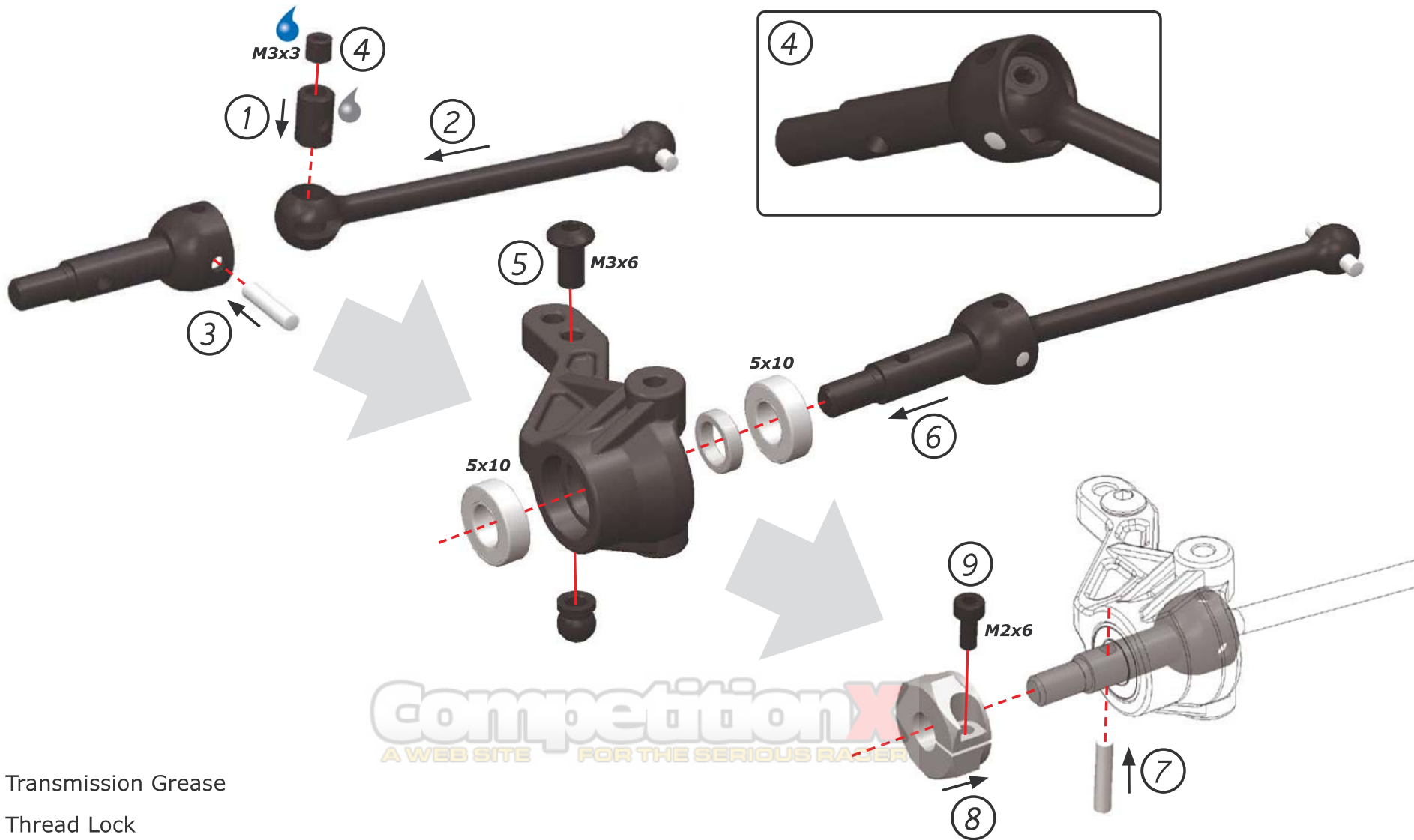
M3x8



M3x3

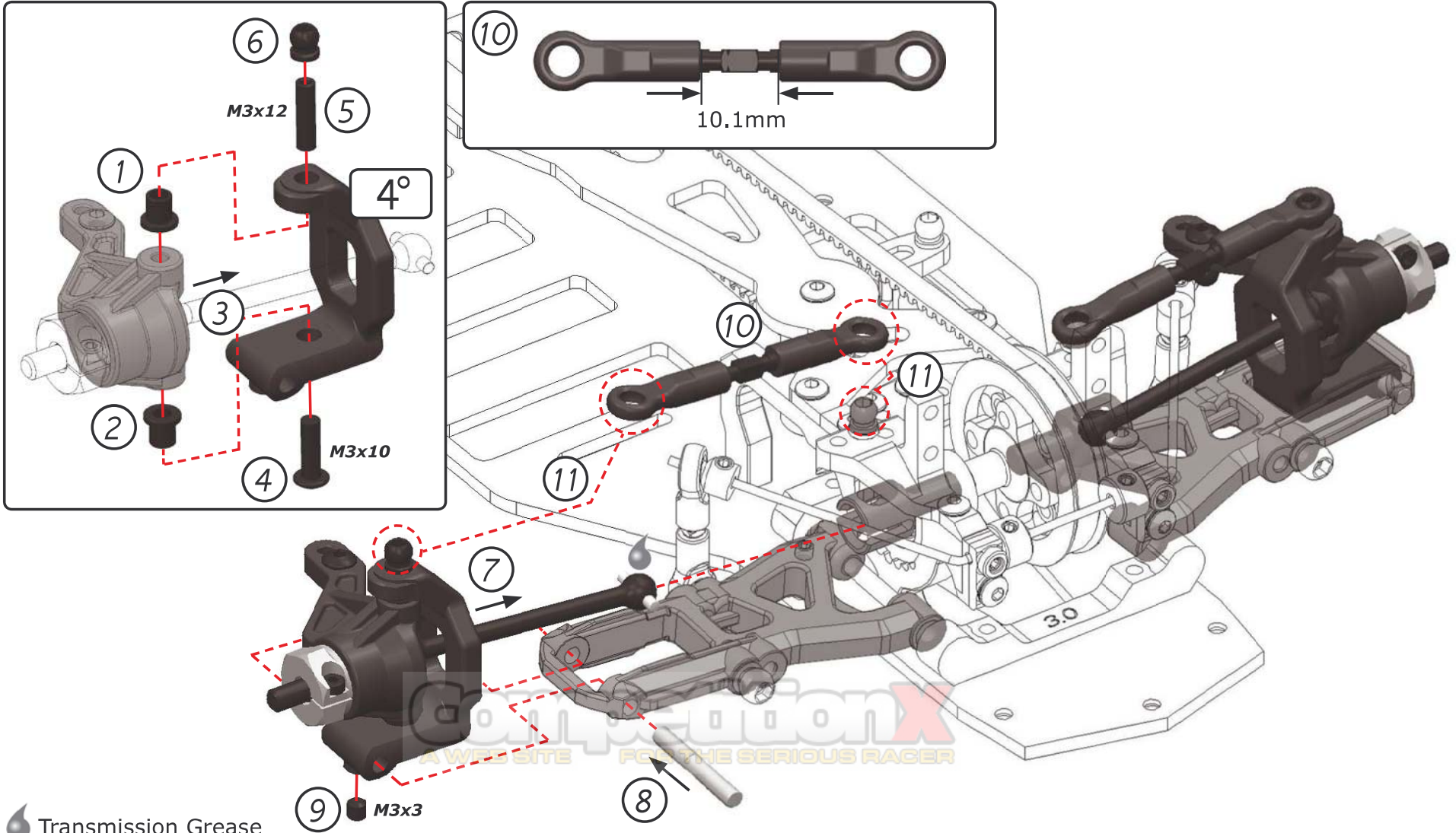






Fasteners  
1:1

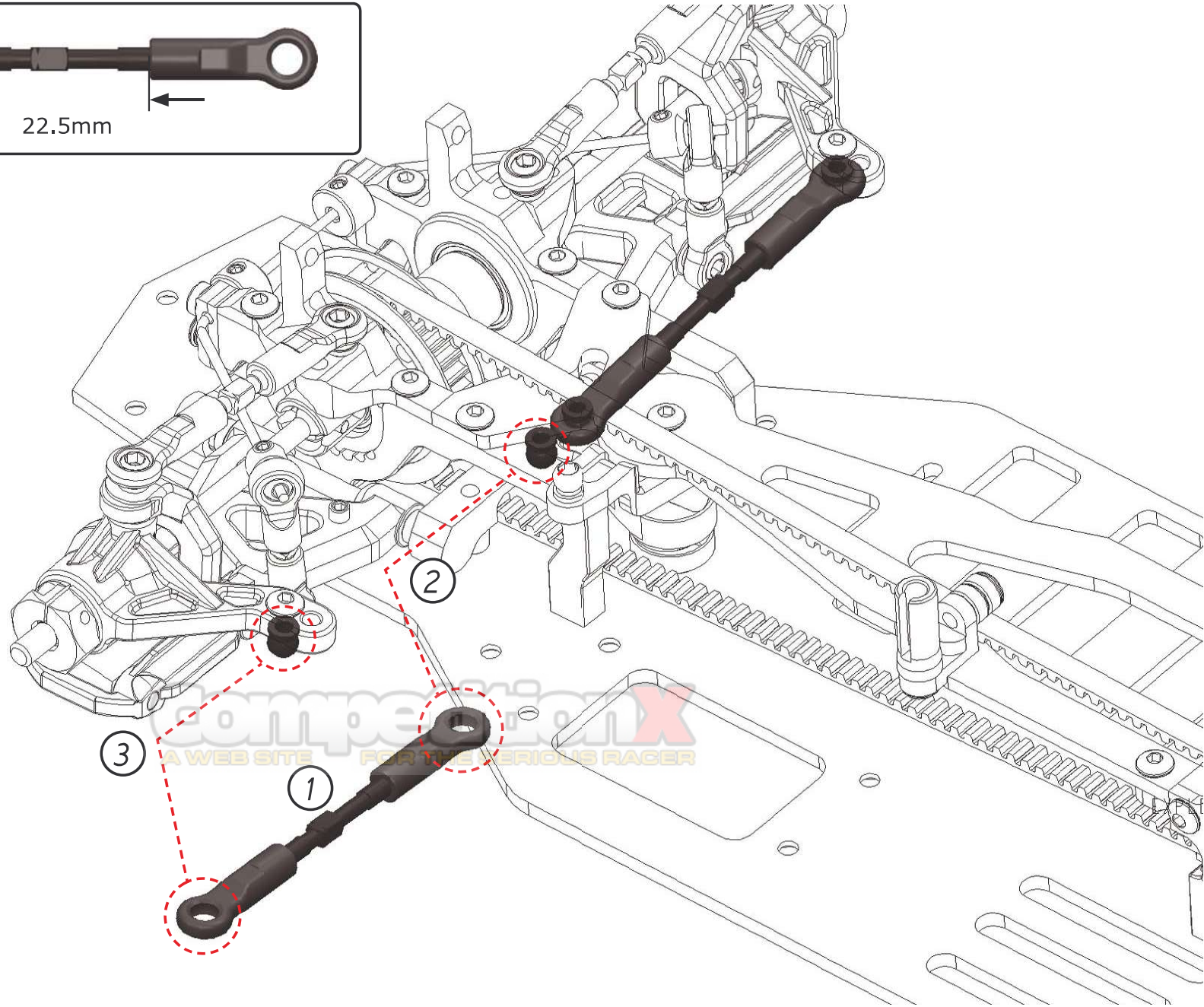
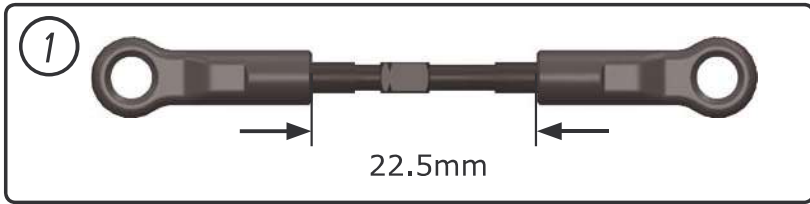


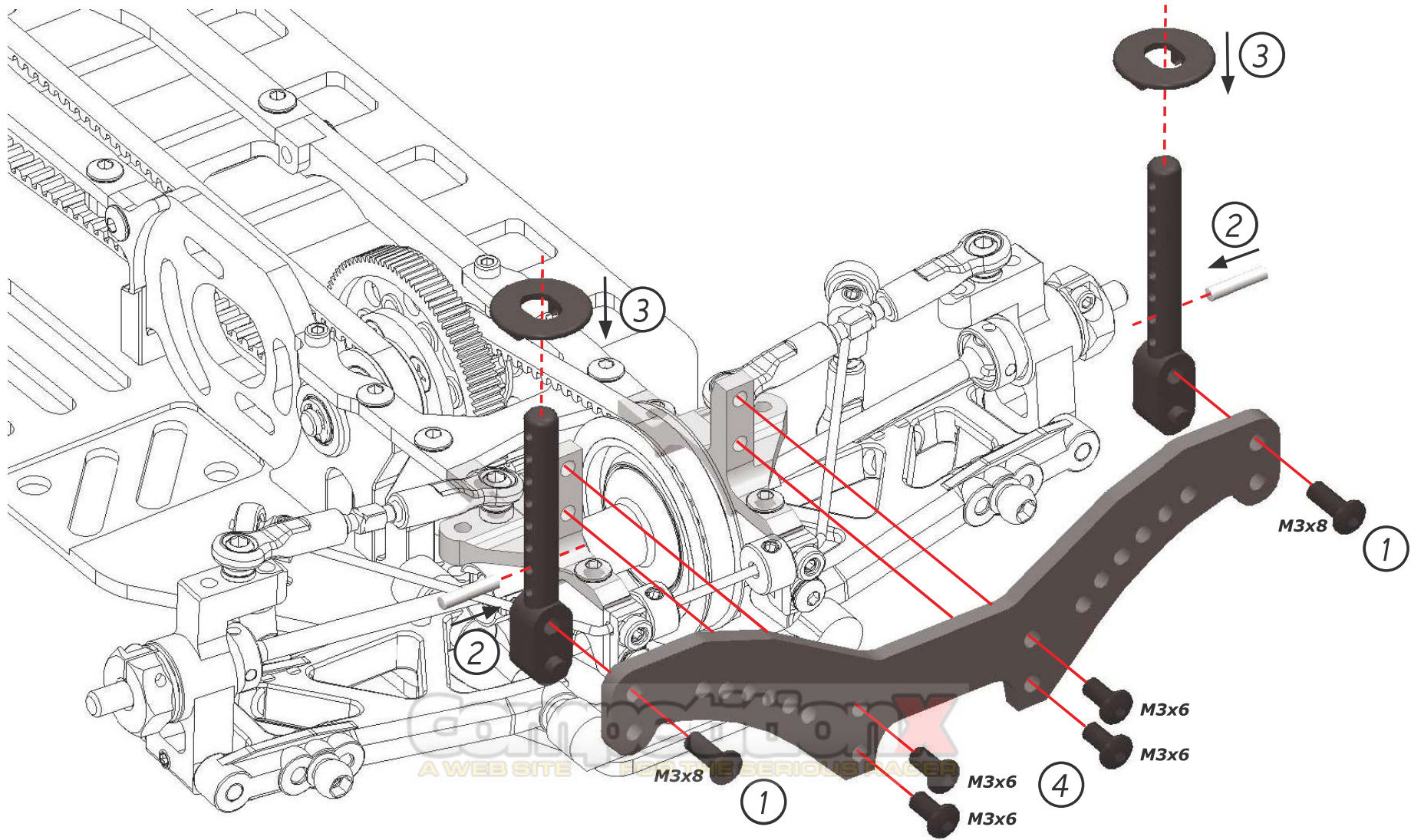


Transmission Grease

Fasteners  
1:1

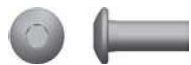
M3x10	M3x12	M3x3





Fasteners

1:1



M3x8



M3x6



Unscrew the bottom half of the pre-assembled shock absorbers.



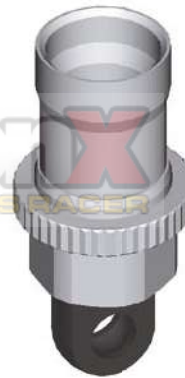
②

**FILLING**

Fill the shock body with the supplied shock absorber oil.

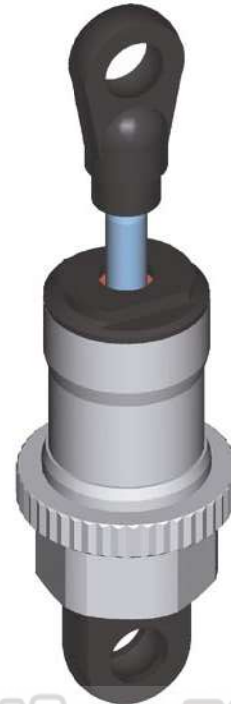
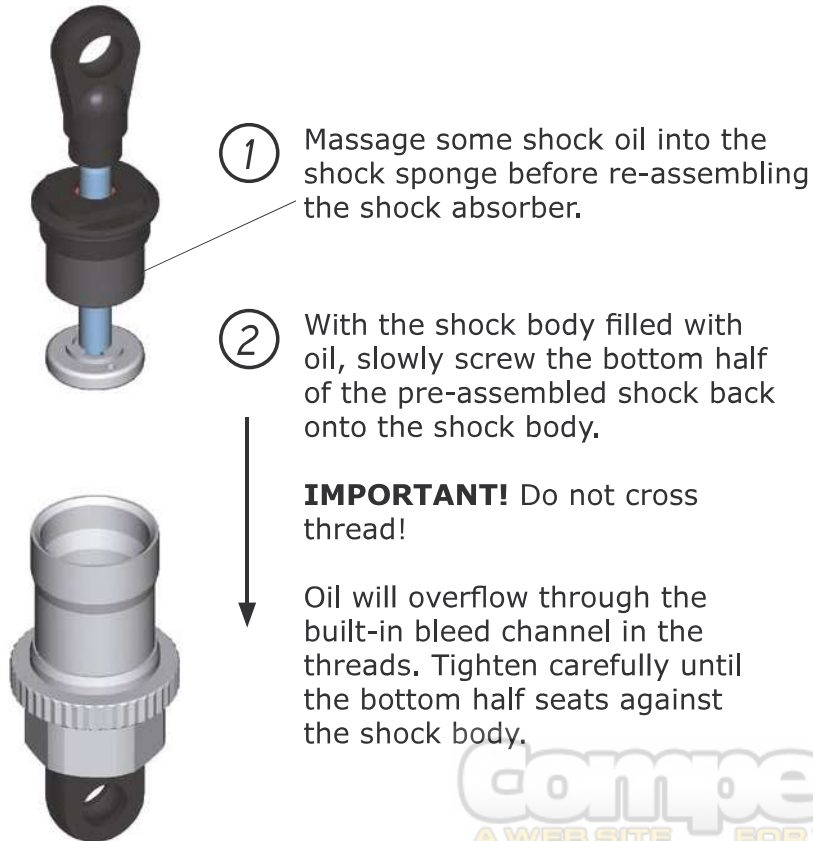
**BLEEDING**

Let the oil settle and allow the air to escape.



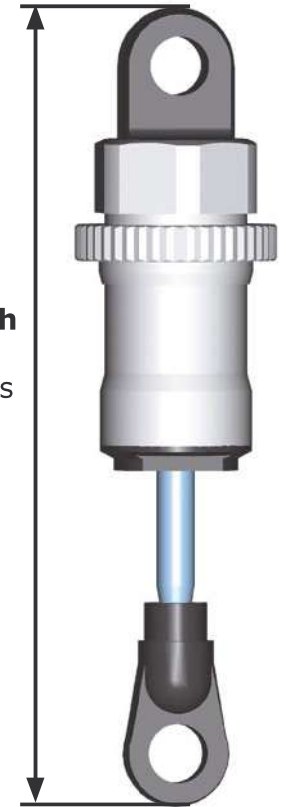
CompetitionX  
A WEB SITE FOR THE SERIOUS RACER





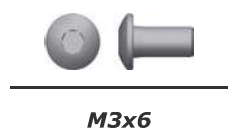
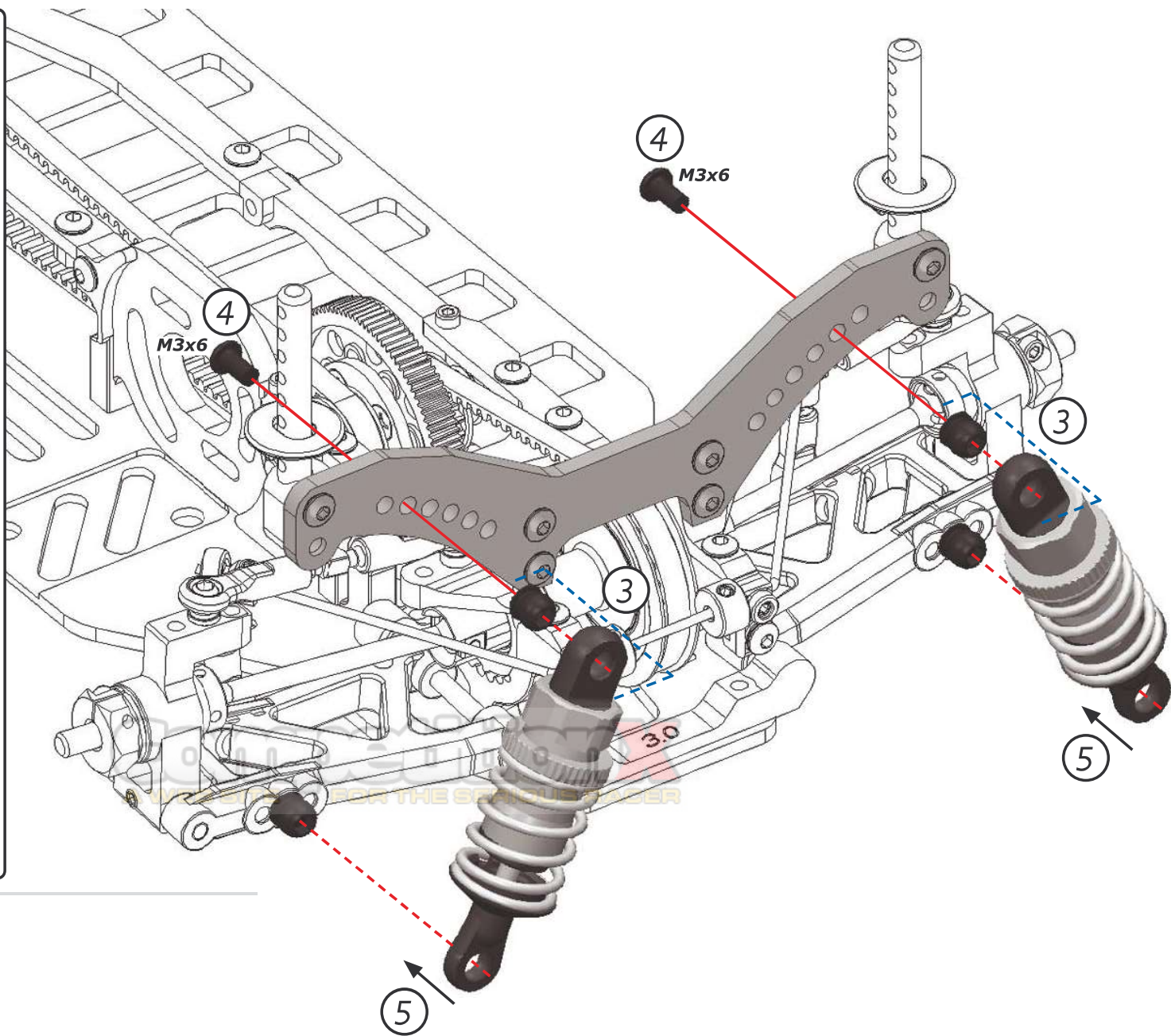
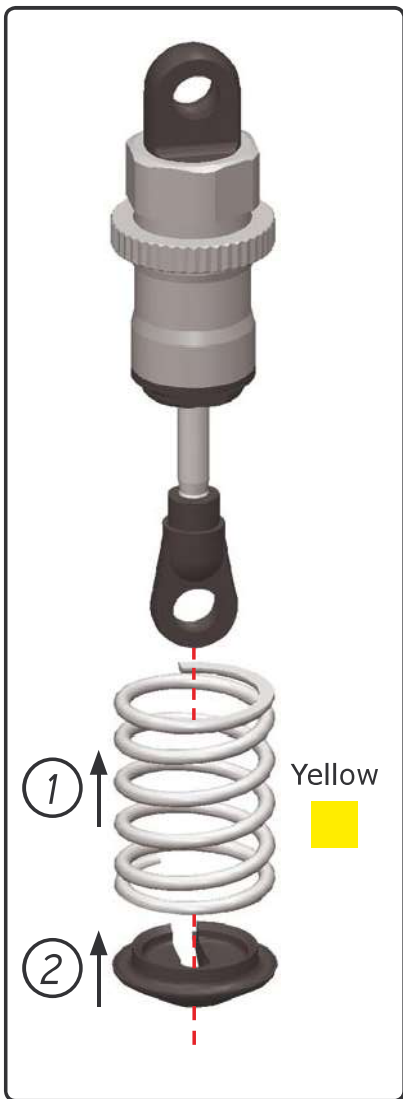
CompetitionX  
A WEB SITE FOR THE SERIOUS RAGER

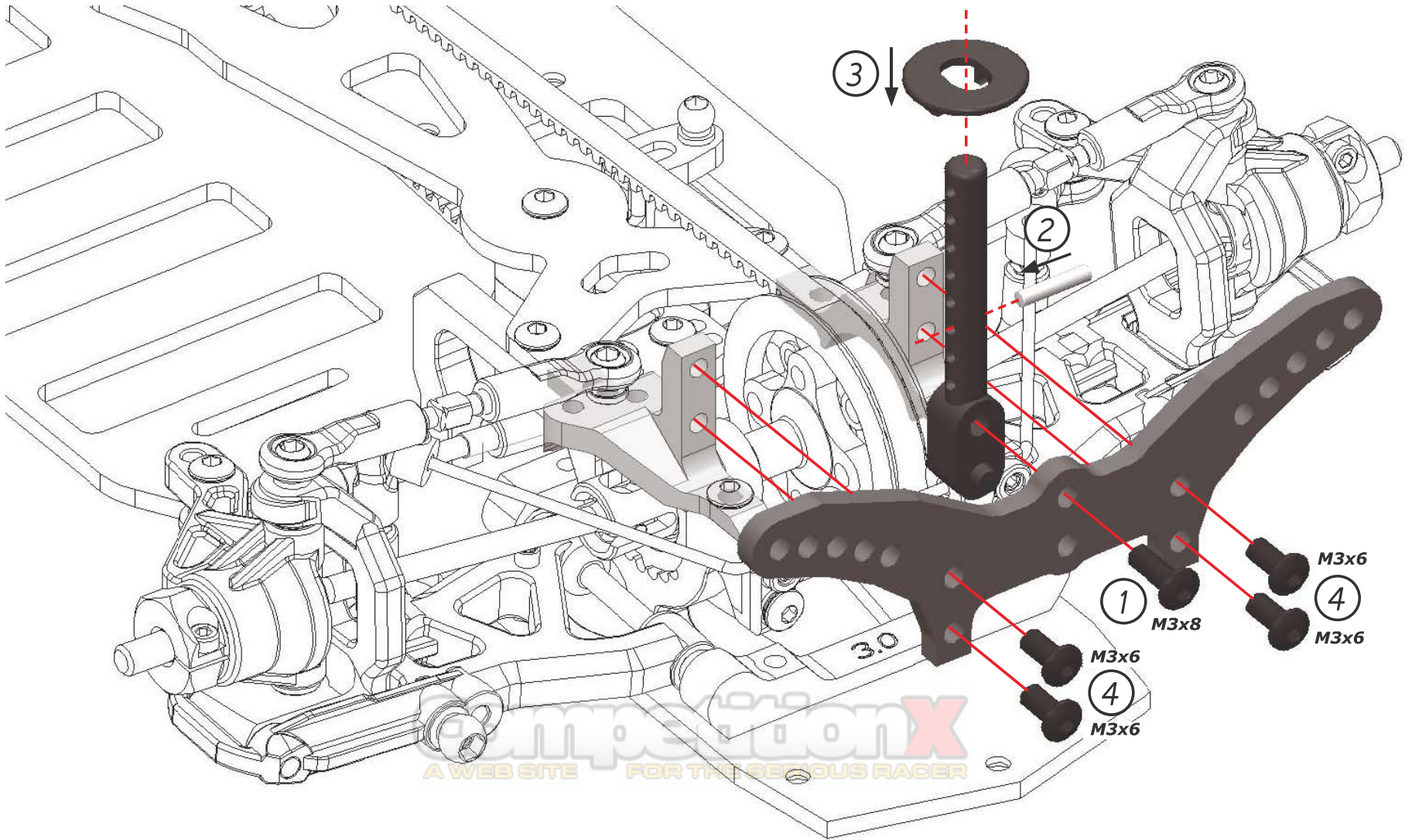
**Shock Length**  
68mm  
for ALL shocks



Use the lower ball joint to adjust shock length.

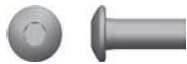
Each left & right pair of front/rear shocks **MUST** be the same length!





Fasteners

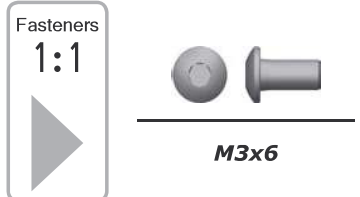
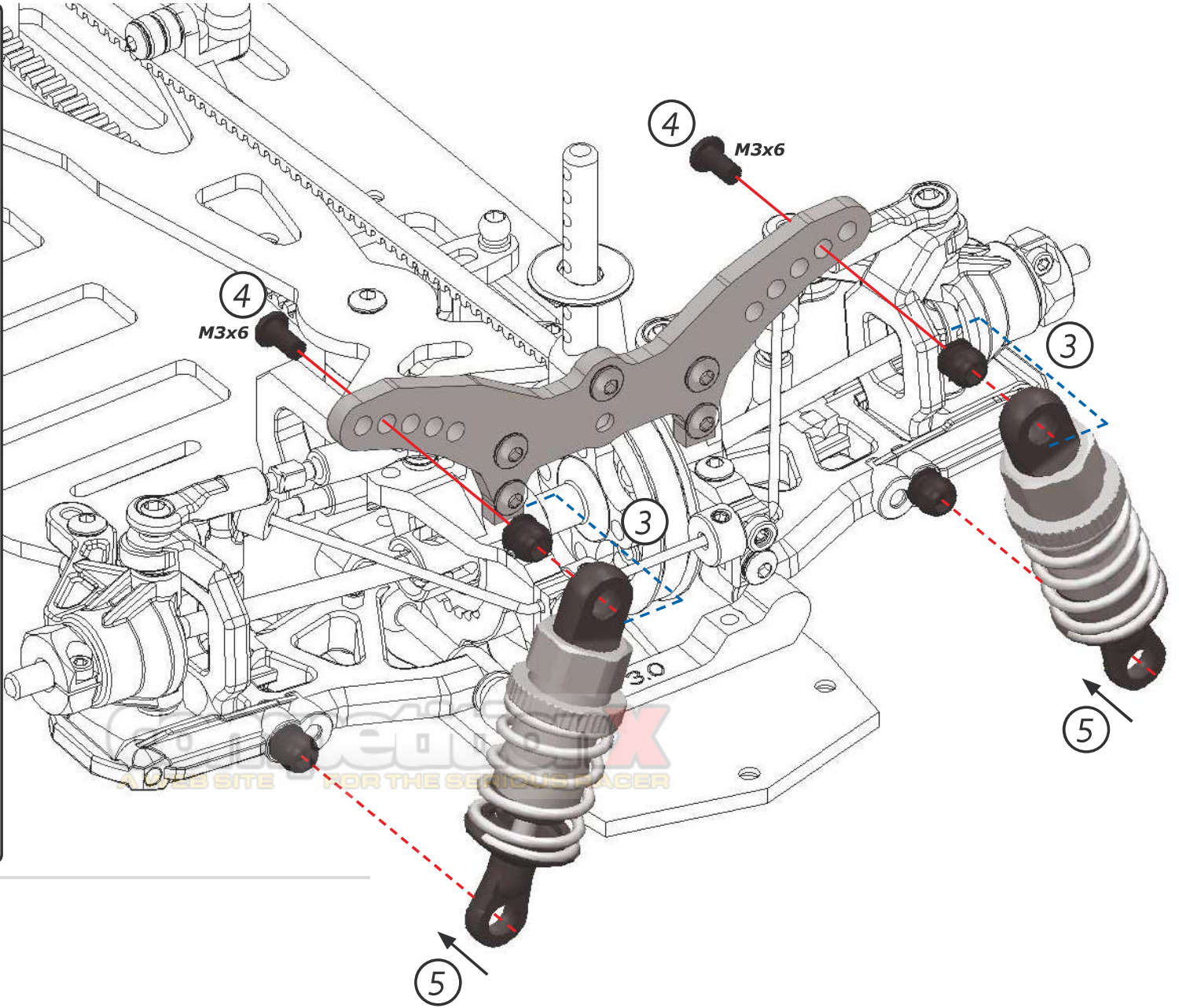
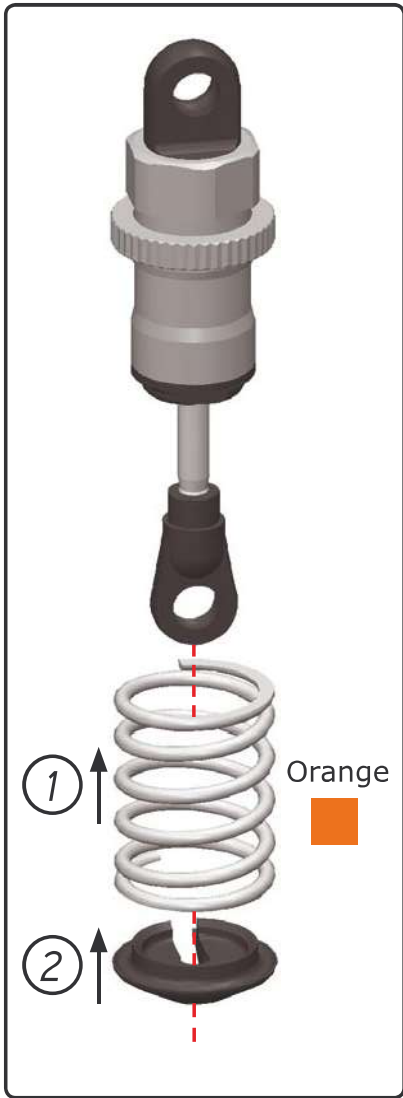
1:1

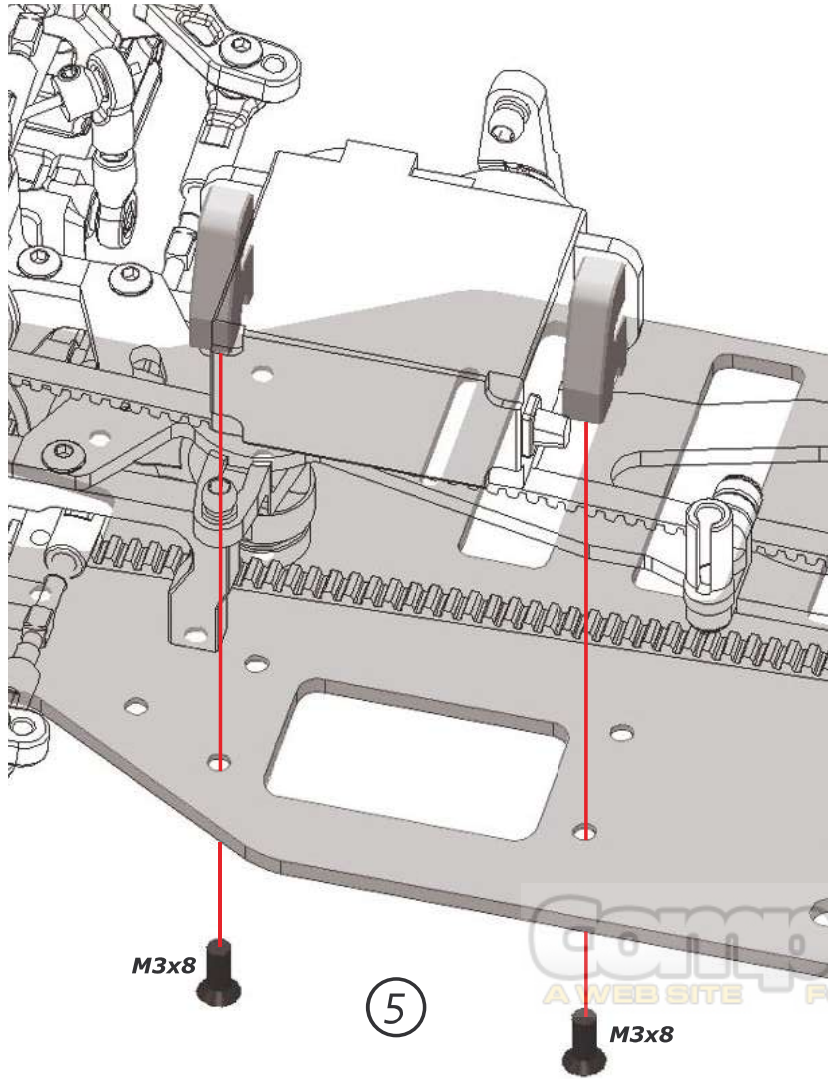


M3x8

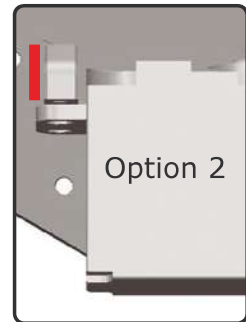
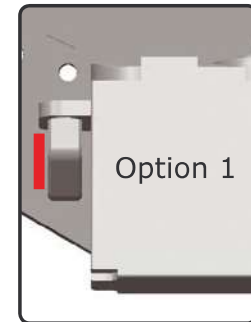


M3x6



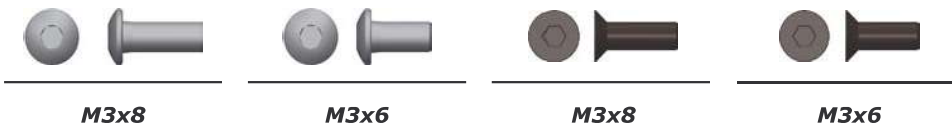


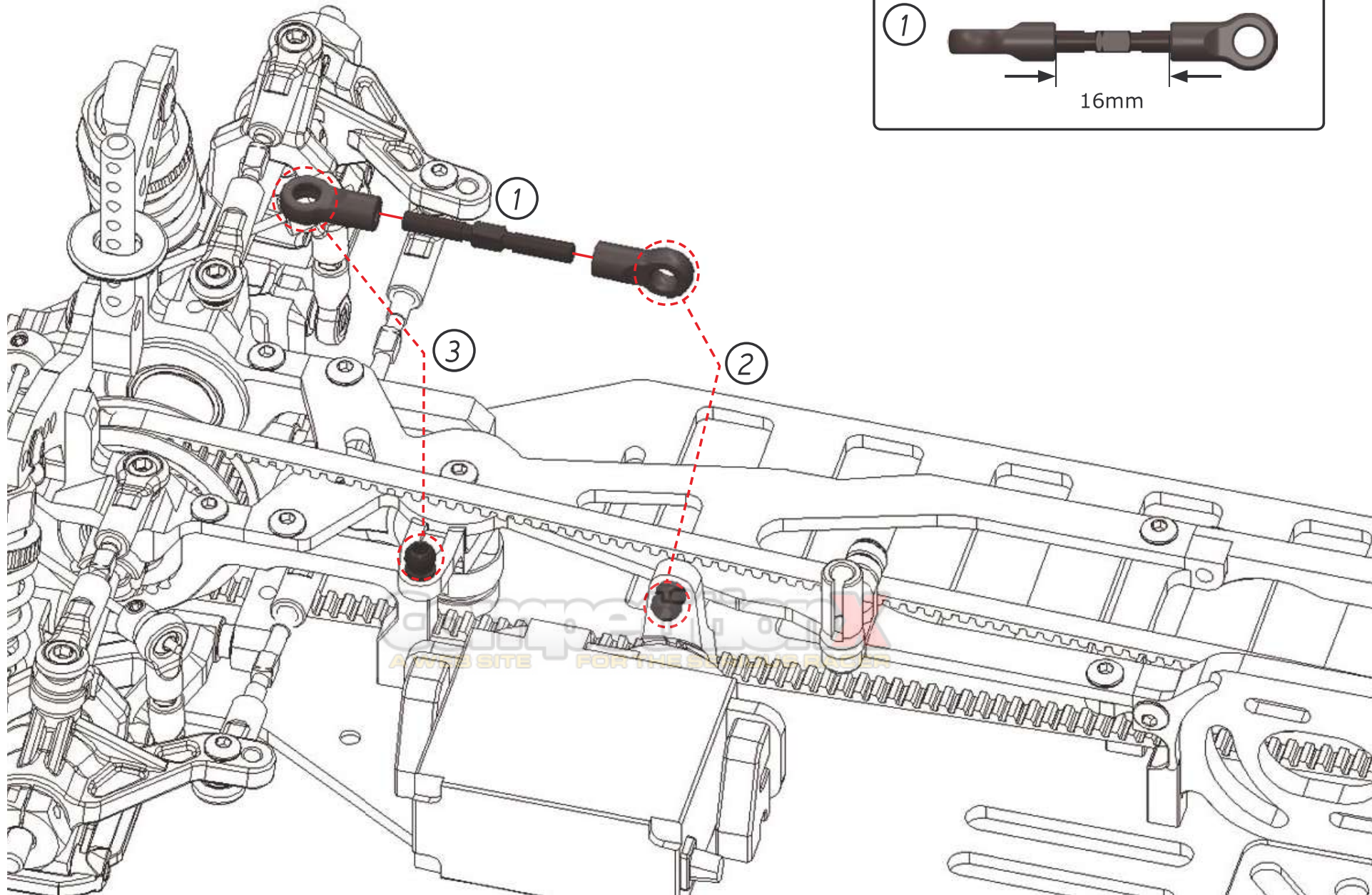
Note that the servo mounting blocks feature offset holes, which combined with the mounting options to the right, allow you to fit most modern servos.

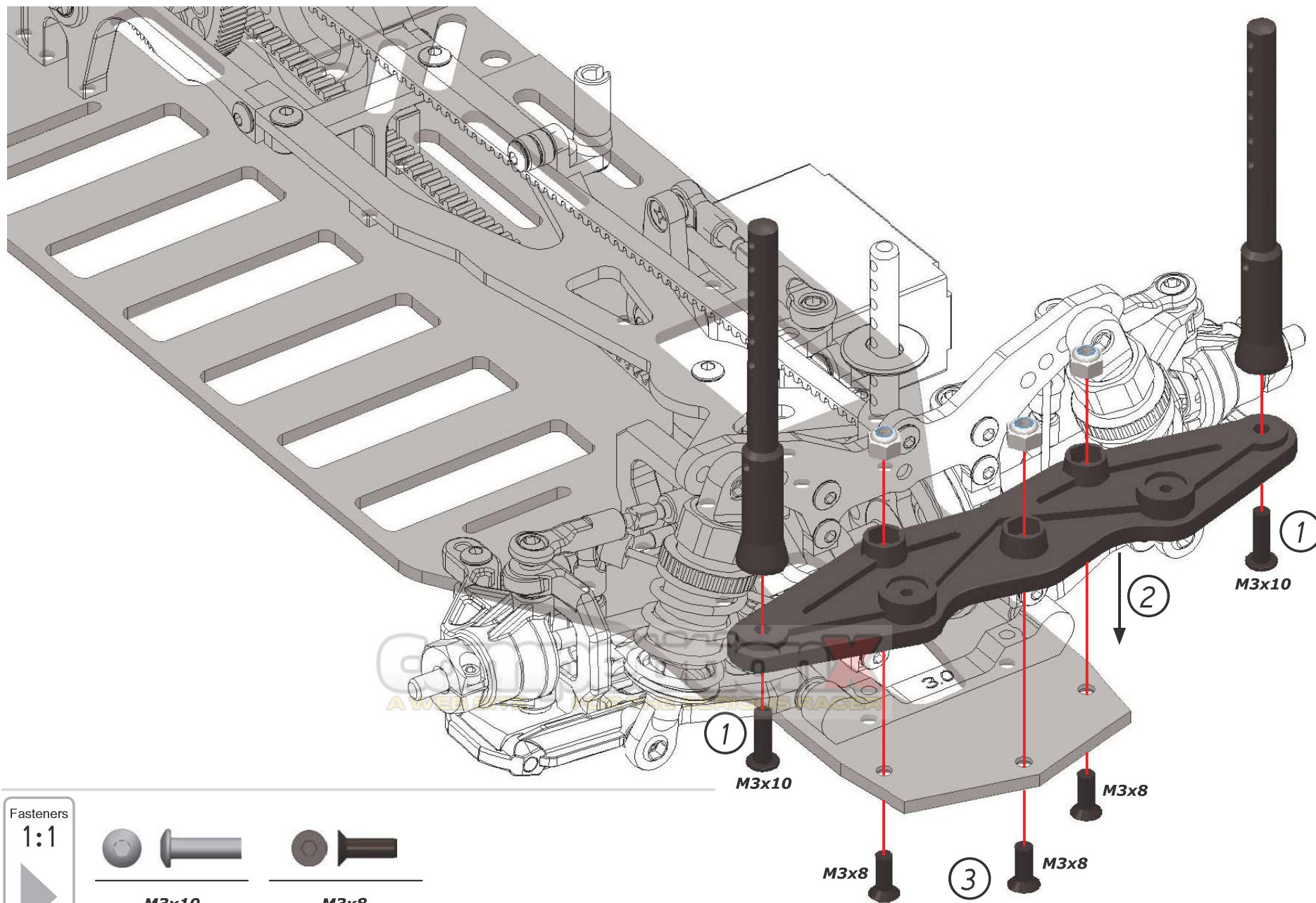


Use the following servo arms with these brands of servos.  
 23 - Sanwa / KO / JR  
 24 - Hitec  
 25 - Futaba

Fasteners  
1:1







Fasteners

1:1



M3x10

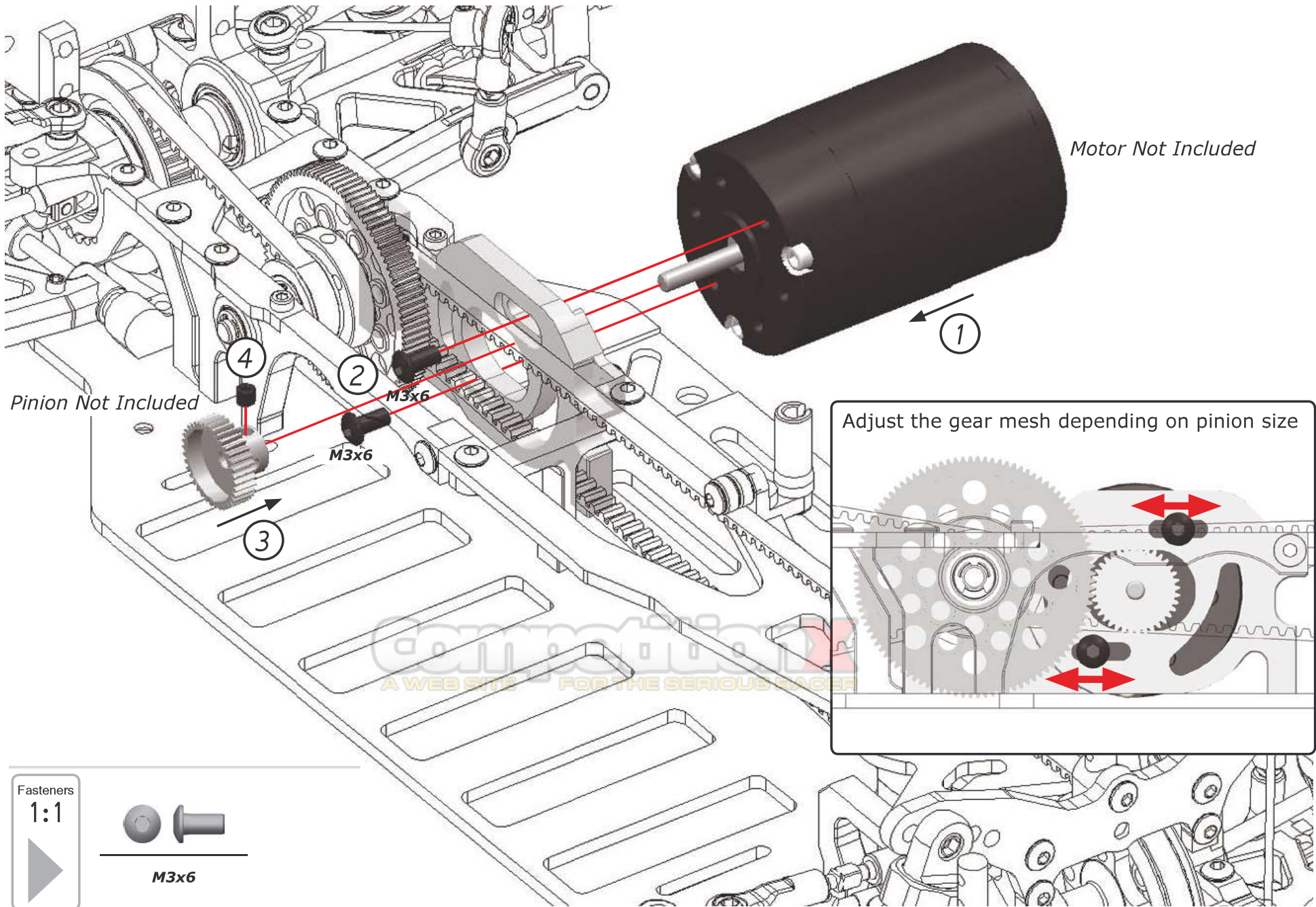


M3x8





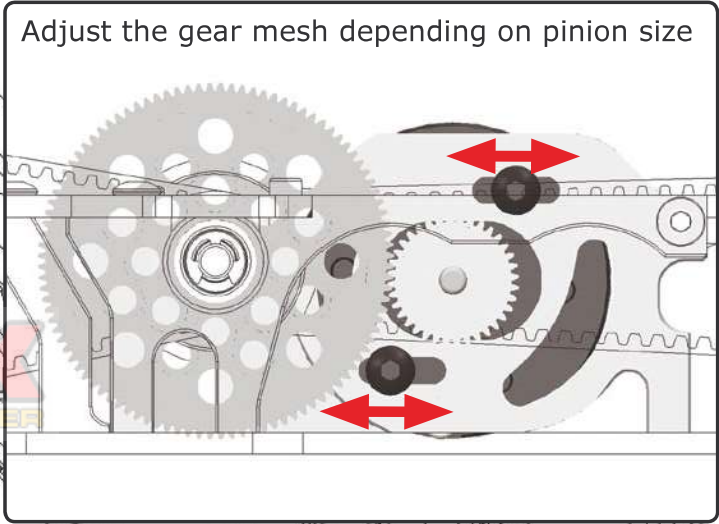




Motor Not Included

Pinion Not Included

Adjust the gear mesh depending on pinion size

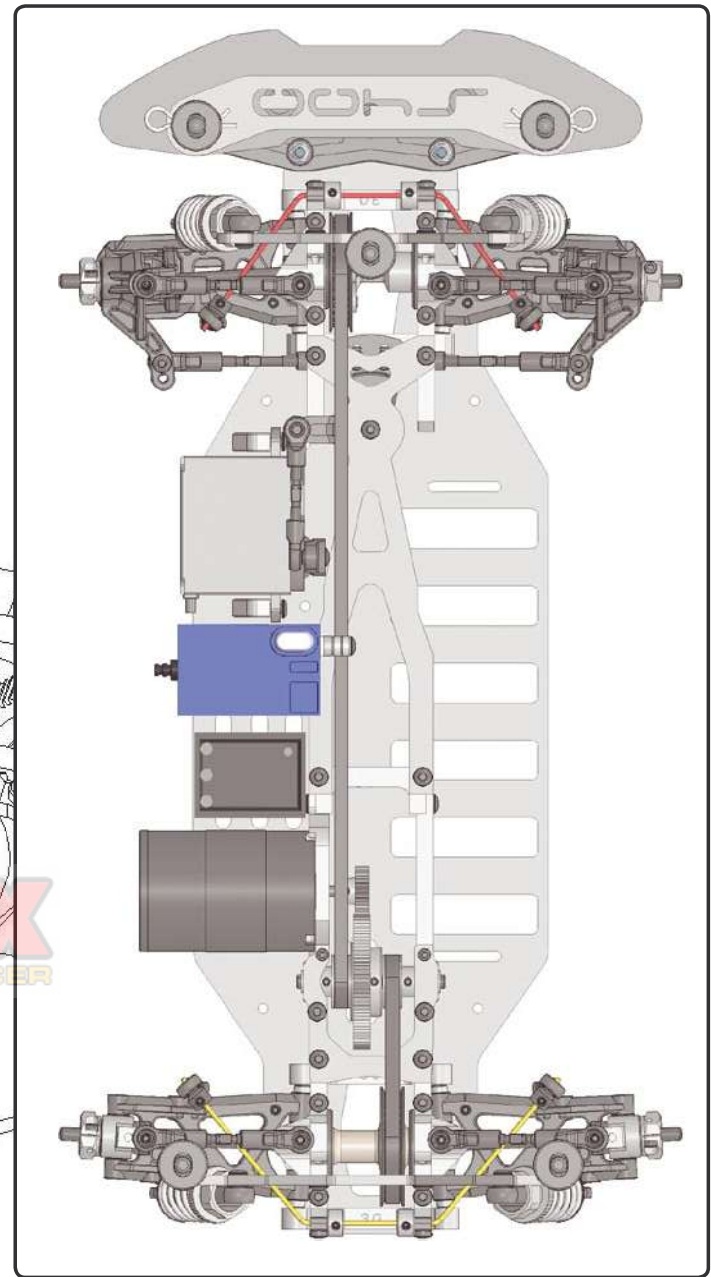
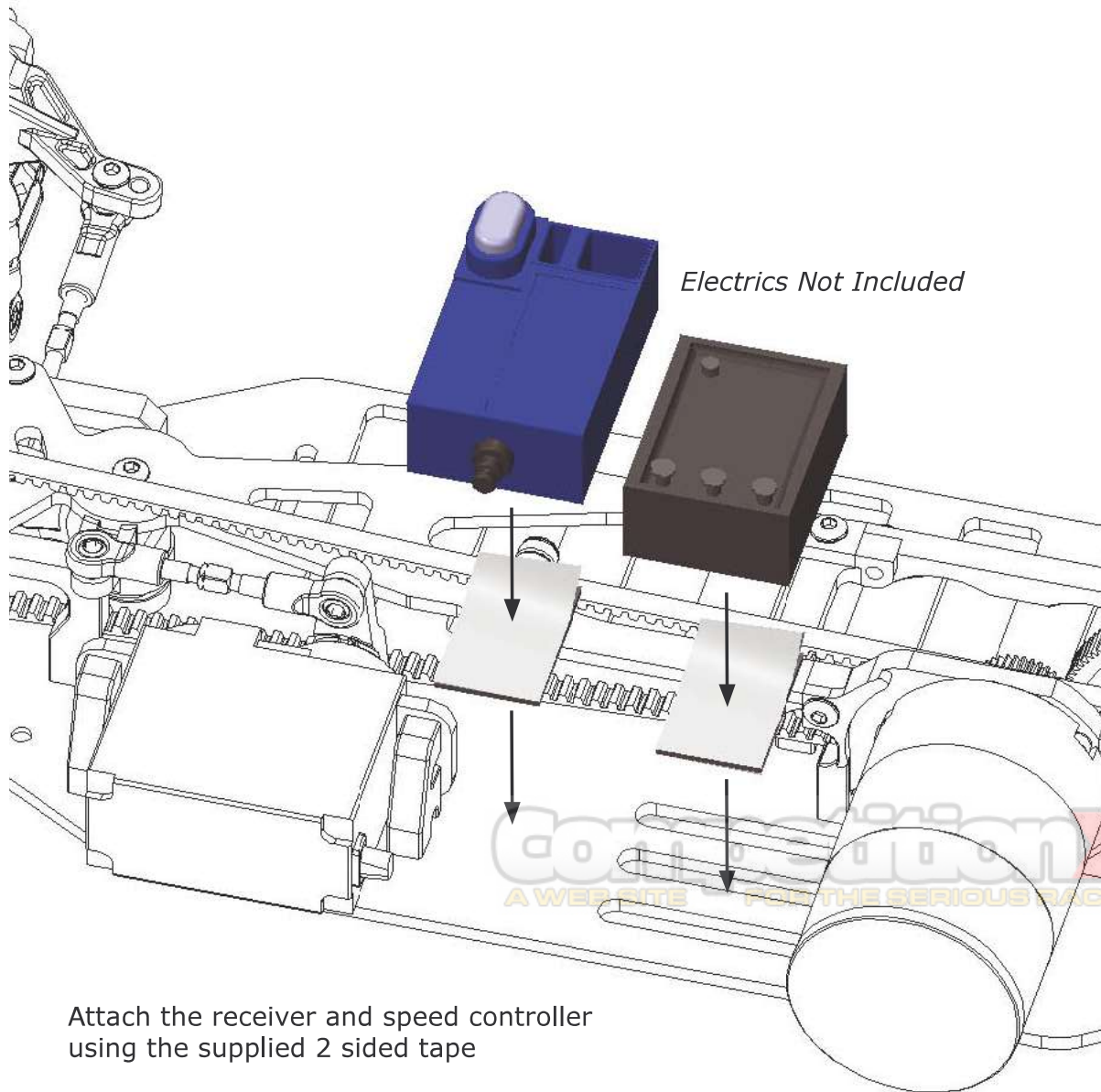


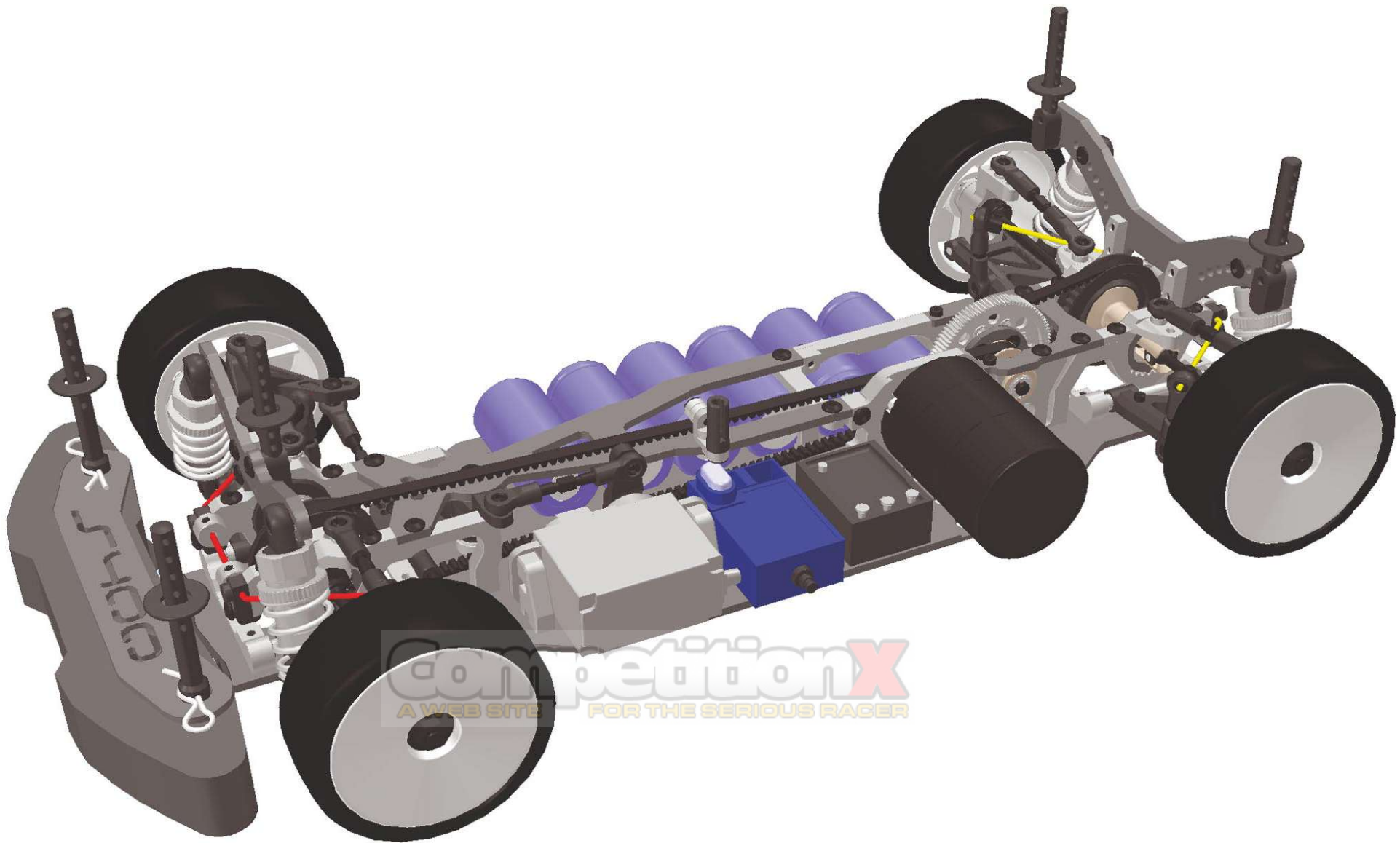
Fasteners

1:1



M3x6

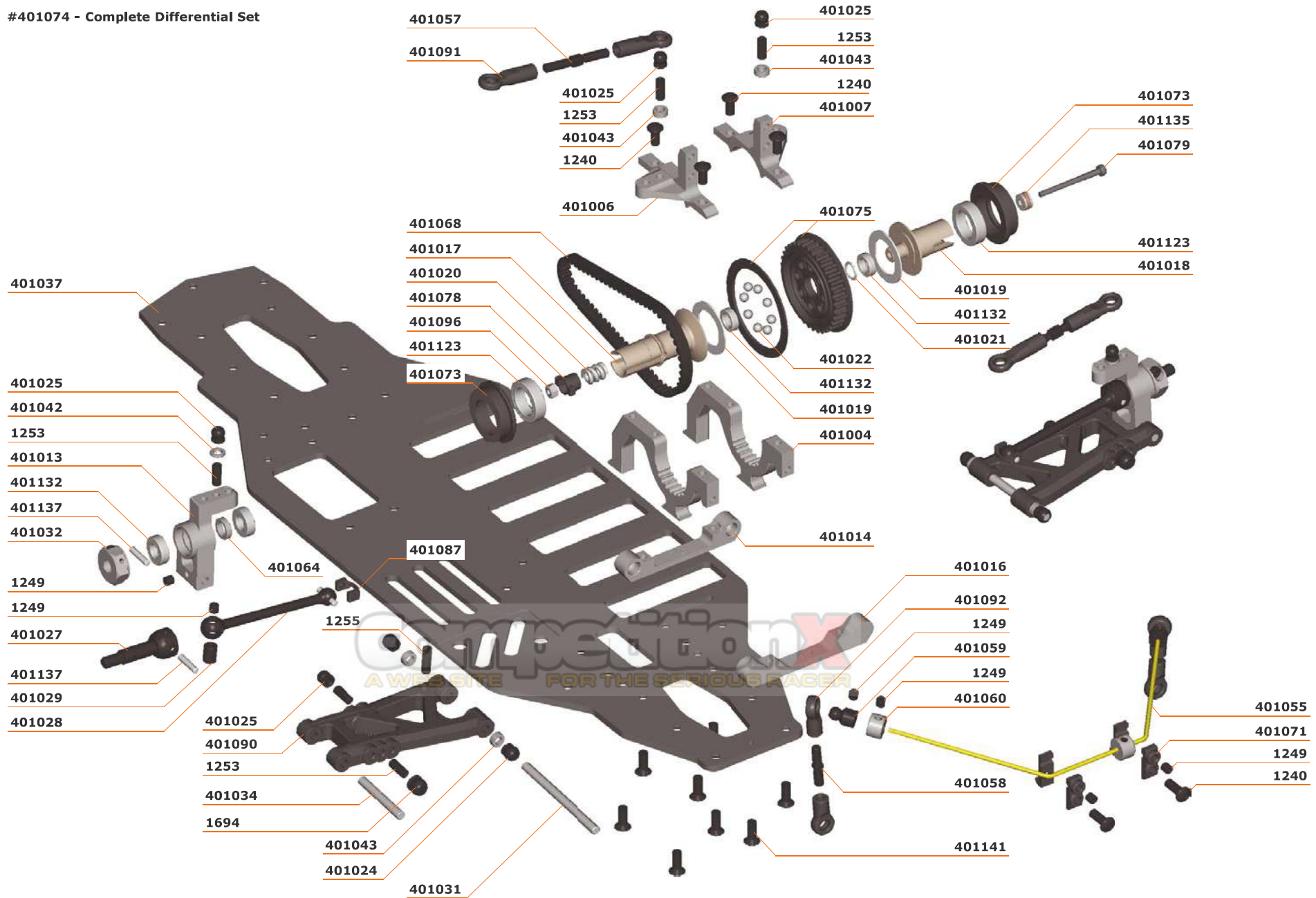


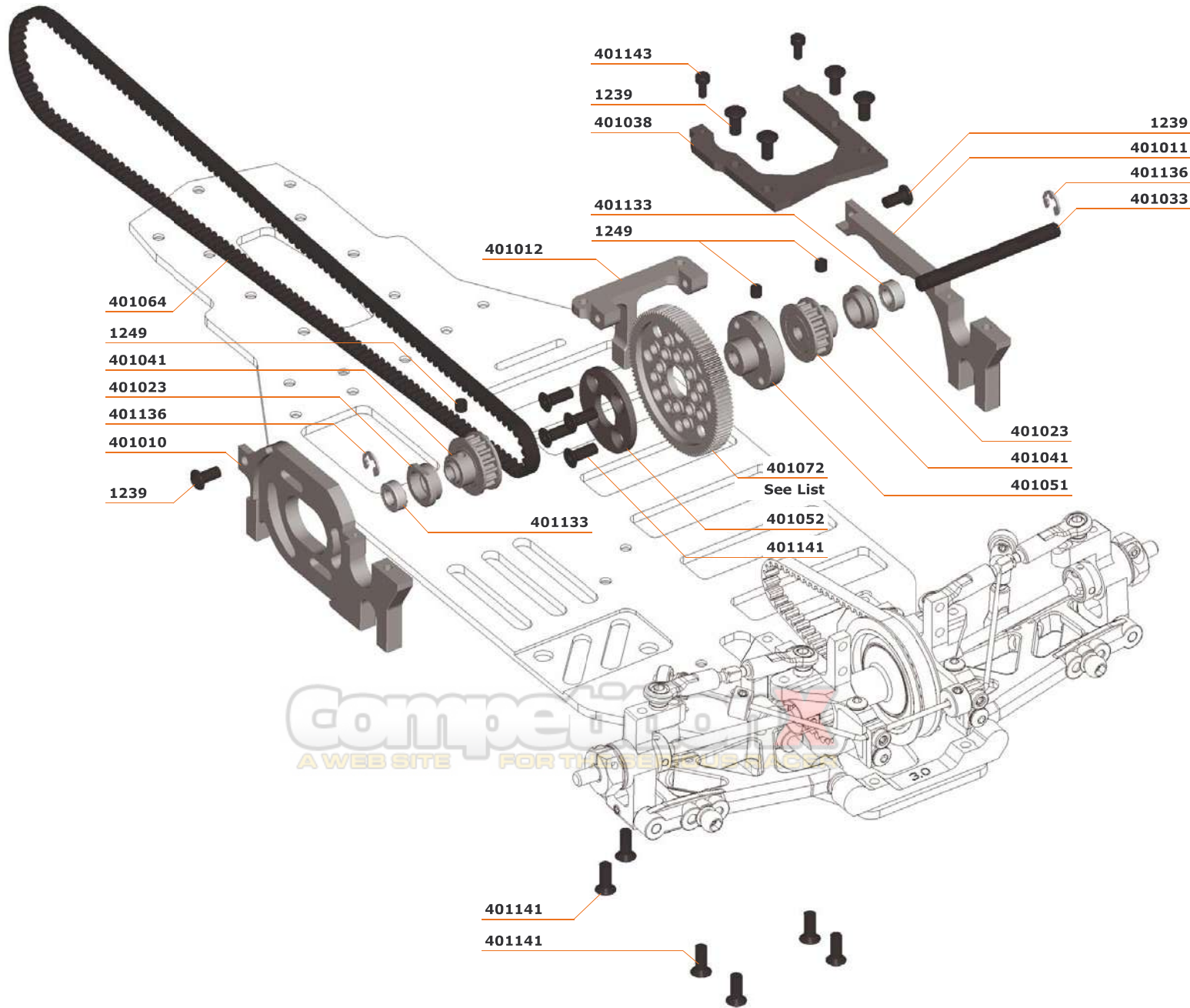


# REFERENCE GUIDE

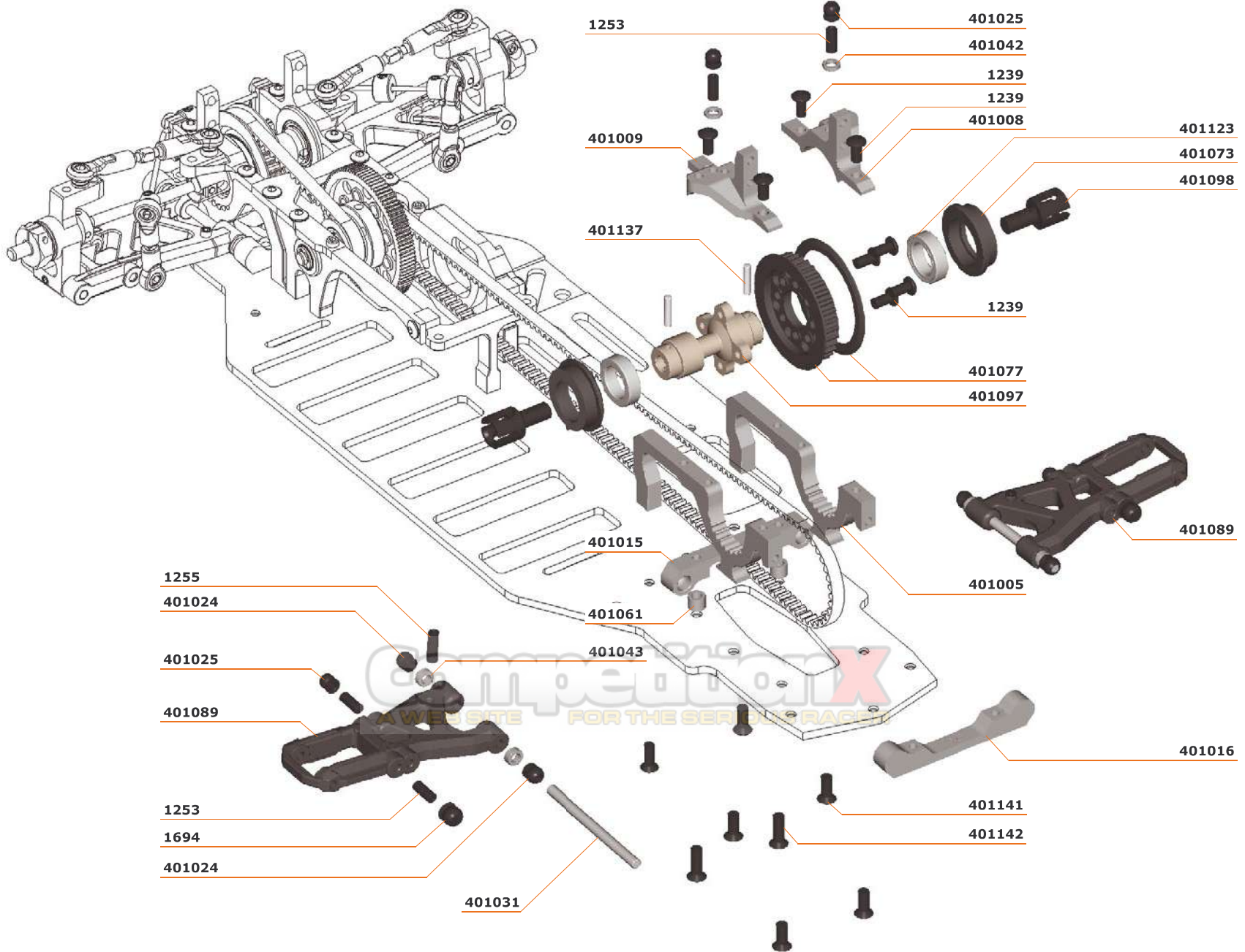
competitionX  
A WEB SITE FOR THE SERIOUS RAGER

#401074 - Complete Differential Set

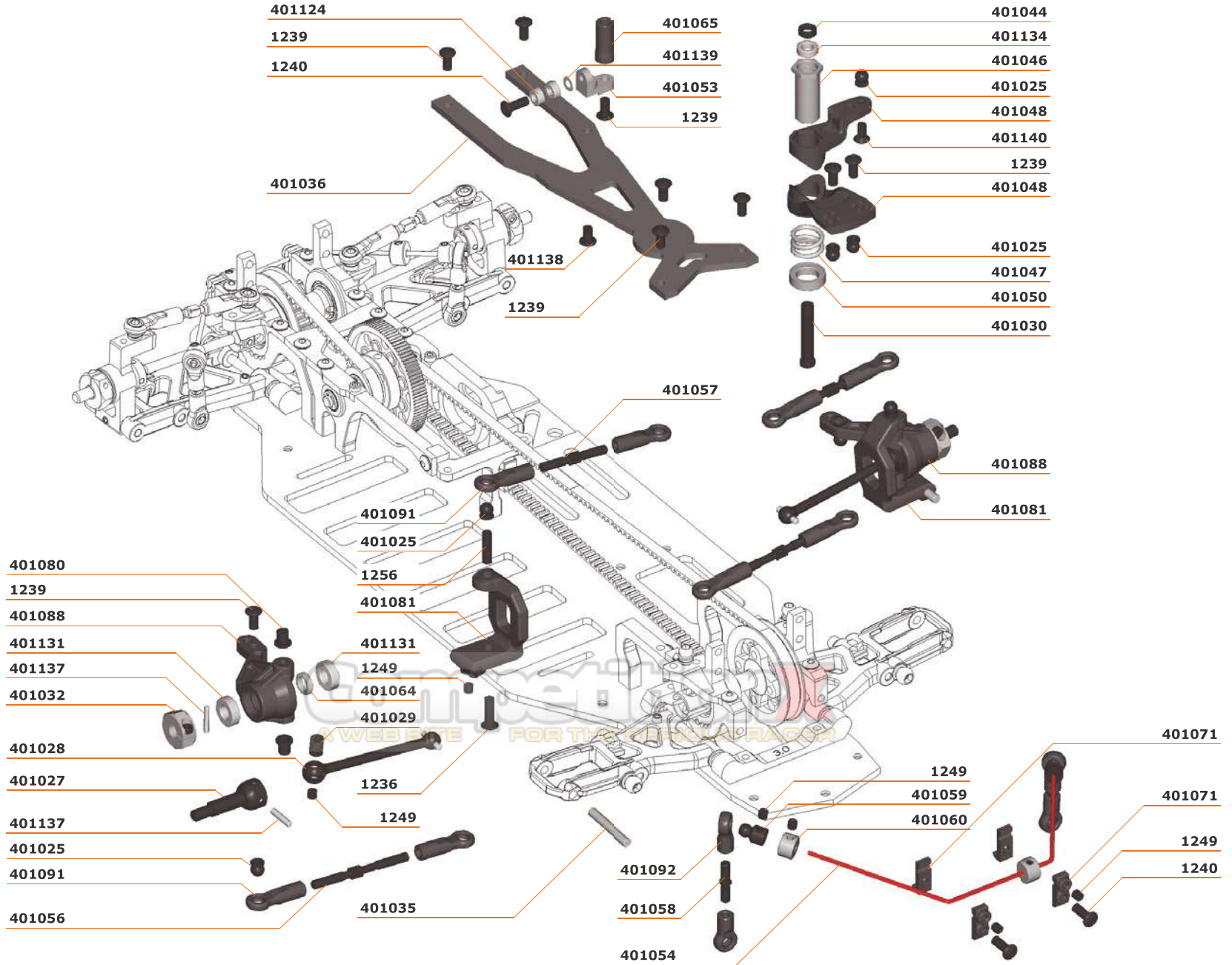




# FRONT ASSEMBLY



# STEERING ASSEMBLY



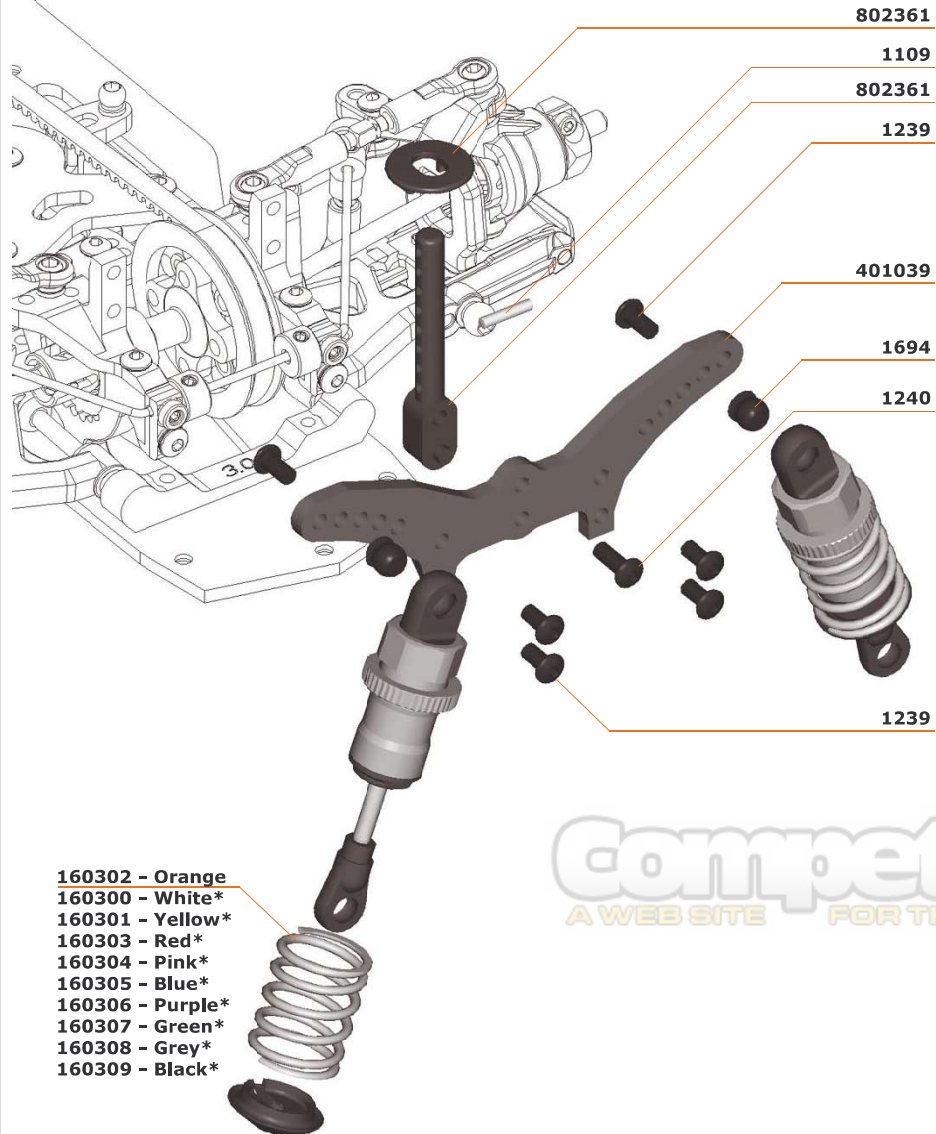


# SHOCK ASSEMBLY



CompetitionX  
A WEB SITE FOR THE SERIOUS RAGER

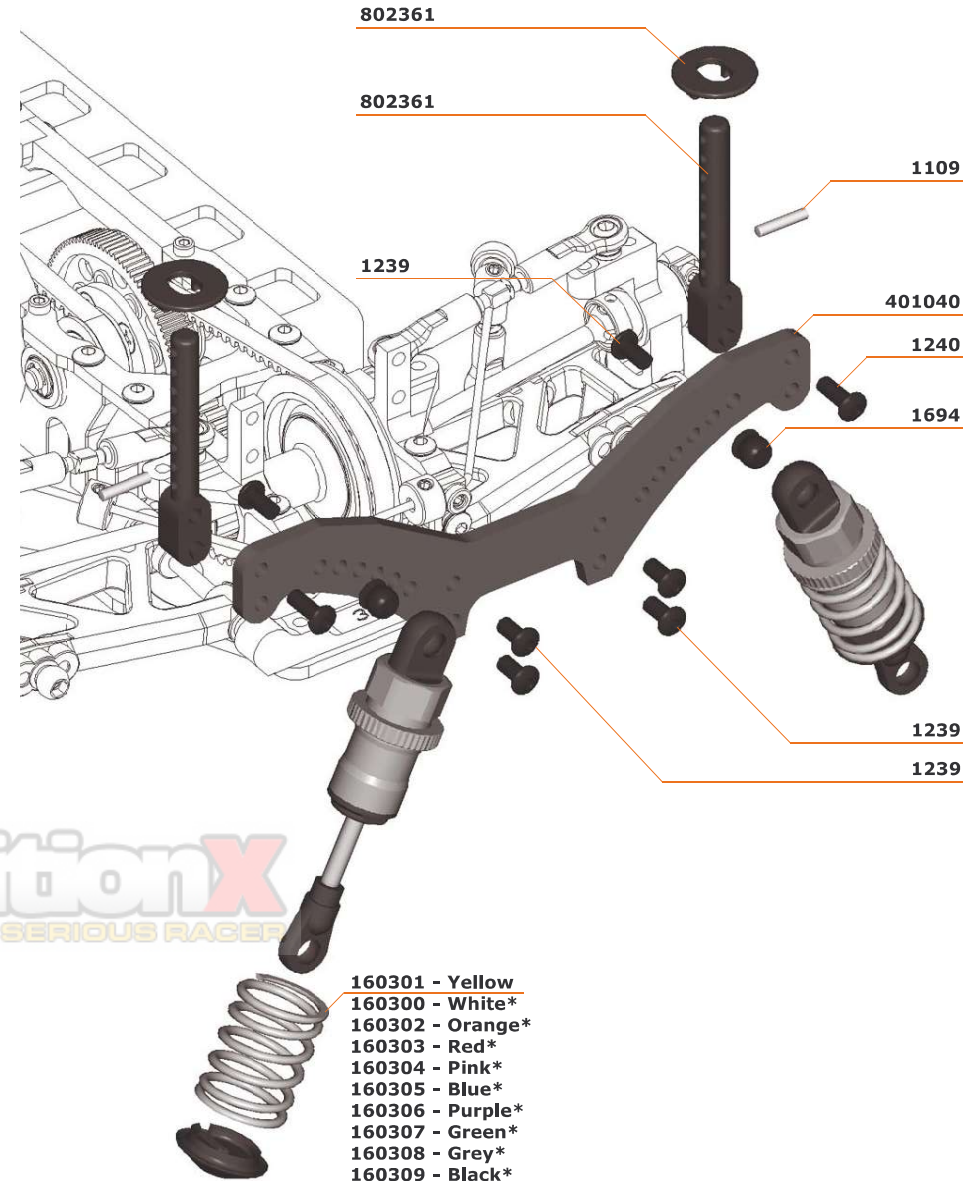
## FRONT



- 160302 - Orange
- 160300 - White\*
- 160301 - Yellow\*
- 160303 - Red\*
- 160304 - Pink\*
- 160305 - Blue\*
- 160306 - Purple\*
- 160307 - Green\*
- 160308 - Grey\*
- 160309 - Black\*

\* Optional

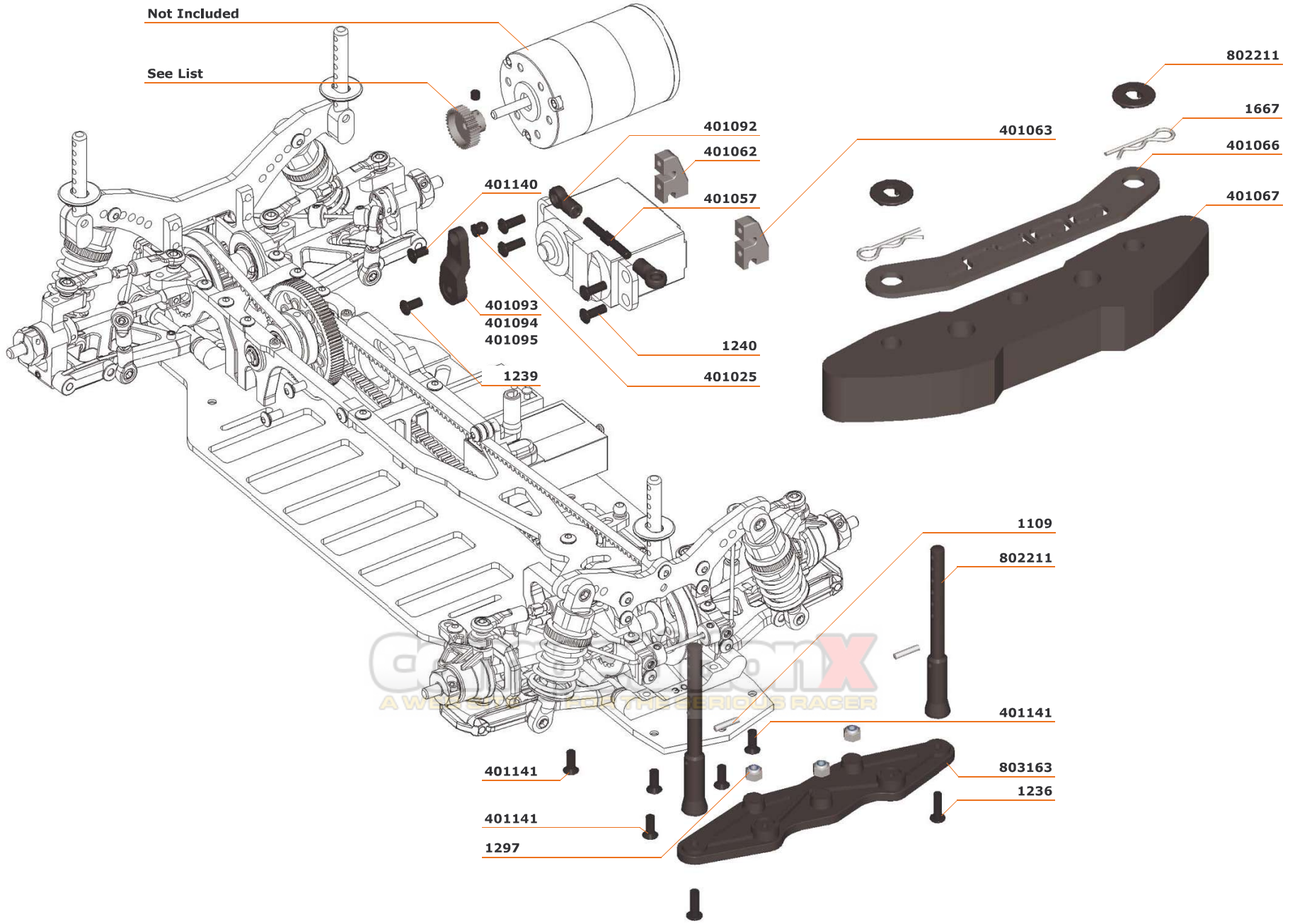
## REAR



- 160301 - Yellow
- 160300 - White\*
- 160302 - Orange\*
- 160303 - Red\*
- 160304 - Pink\*
- 160305 - Blue\*
- 160306 - Purple\*
- 160307 - Green\*
- 160308 - Grey\*
- 160309 - Black\*

\* Optional

**CompetitionX**  
A WEB SITE FOR THE SERIOUS RAGER



**MANUALS / DECALS**

401001	Manual / Reference guide
401002	Set-up guide S400
401003	Decal S400 (2)

**REAR ASSEMBLY**

1694	Pivot ball 5.8mm (20)
401004	Bearing block RR alu
401006	Bearing block RR-UP-L alu
401007	Bearing block RR-UP-R alu
401013	Upright RR alu (2)
401014	Suspension bracket RR 0
401016	Suspension bracket RR 3
401017	Diff axle RR-L
401018	Diff axle RR-R
401019	Diff plate (2)
401020	Diff spring
401021	Diff ring 5x6x2
401022	Ball 3mm (10)
401024	Pivot ball 5mm (10)
401025	Pivot ball uni 4.5mm (20)
401026	CVD-wheel-axle set (2)
401027	CVD-wheel-axle (2)
401028	CVD-driveshaft (2)
401029	CVD-insert (2)
401031	Pivot pin 3mm (4)
401032	Wheel-adaptor hex (4)
401034	Pivot pin upright (2)
401037	Chassis carbon 2.5mm
401042	Bushing 3x5x1 (4)
401043	Bushing 3x5x2 (10)
401055	Anti-roll bar RR 1.2mm
401057	Rod 26mm steel (5)
401058	Anti-roll bar rod (4)
401059	Anti-roll bar ball (4)
401060	Anti-roll bar collar (4)
401064	Bearing bushing 5x8x2 (4)
401068	Belt 177T
401070	Roll bar adjuster
401071	Roll bar holder
401073	Bearing eccentric
401074	Diff complete set
401075	Diff pulley & shim 35T
401078	Diff-nut holder
401079	Diff screw
401087	Blades drive shaft (8)
401090	Wishbone RR (2)
401091	Ball-joint (12)
401092	Ball-joint short (10)
401096	Nut nylock L02M2

401137	Pin 2x10 (10)
801217	Wheel nut steel (4)

**CENTRAL ASSEMBLY**

401010	Engine mount alu
401011	Mid-shaft bracket R alu
401012	Top-plate holder alu
401023	Bushing 8x10 (2)
401033	Middle shaft
401038	Top plate carbon RR
401041	Pulley 16T / shim alu
401051	Main gear holder
401052	Main gear plate
401069	Belt 501T
401072	Spur gear 102T

**FRONT ASSEMBLY**

1694	Pivot ball 5.8mm (20)
401005	Bearingblock FR alu
401008	Bearingblock FR-UP-L alu
401009	Bearingblock FR-UP-R alu
401015	Suspension bracket RR 1
401016	Suspension bracket RR 3
401024	Pivot ball 5mm (10)
401025	Pivot ball uni 4.5mm (20)
401031	Pivot pin 3mm (4)
401137	Pin 2x10 (10)
401042	Bushing 3x5x1 (4)
401043	Bushing 3x5x2 (10)
401061	Bushing 3x5x4 (2)
401073	Bearing eccentric
401076	Diff pulley shim 35T
401077	Pulley one-way 35T
401089	Wishbone FR (2)
401097	Solid axle FR alu
401098	Drive adaptor solid axle (2)

**LINKAGE ASSEMBLY**

401025	Pivot ball uni 4.5mm (20)
401026	CVD-wheel-axle set (2)
401027	CVD-wheel-axle (2)
401028	CVD-driveshaft (2)
401029	CVD-insert (2)
401030	Servo saver axle
401032	Wheel-adap hex (4)
401035	Pivot pin C-hub (2)
401036	Top plate carbon 1.5mm
401044	Bushing 4x6x2 (1)

401045	Servo-saver set
401046	Servo-saver shaft
401047	Servo-saver spring
401048	Servo saver LW / UP
401050	Servo-saver nut
401053	Belt tensioner
401054	Anti-roll bar FR 1.4mm
401056	Track rod steel (2)
401057	Rod 26mm steel (5)
401058	Anti-roll bar rod (4)
401059	Anti-roll bar ball (4)
401060	Anti-roll bar collar (4)
401064	Bearing bushing 5x8x2 (4)
401065	Antenna-holder
401070	Roll bar adjuster
401071	Roll bar holder
401080	Bushing C-hub (4)
401081	C-hub L+R 2
401083	C-hub L+R 4
401085	C-hub L+R 6
401088	Steering block FR-L+R
401091	Ball-joint (12)
401092	Ball-joint short (10)
401137	Pin 2x10 (10)
401139	Shim 3x5x0,3
801217	Wheel nut steel (4)

**SHOCK ASSEMBLY & MOUNTING**

1694	Pivot ball 5.8mm (20)
401039	Shock tower carbon FR
401040	Shock tower carbon RR
401137	Pin 2x10 (10)
802211	Body mount nylon front
903164	Shock RCC short (2)
903251	Spring yellow L23 (2.8/16) (2)
903252	Spring orange L23 (3.4/19.5) (2)

**FINAL ASSEMBLY**

1667	Body-clip medium (10)
401025	Pivot ball uni 4.5mm (20)
401057	Rod 26mm steel (5)
401062	Servo holder 1
401063	Servo holder 2
401066	Bumper plate UP carbon
401067	Bumper foam
401092	Ball-joint short (10)
401093	Servo lever 23T
401094	Servo lever 24T
401095	Servo lever 25T

802361 Body mount nylon rear  
803163 Bumper plate lower

#### FASTENERS

401136 E-clip 3mm (10)  
401138 Screw RH M3x5  
1239 Screw RH M3x6  
1240 Screw RH M3x8  
1236 Screw RH M3x10  
1249 Set-screw M3x3  
1253 Set-screw M3x8  
1255 Set-screw M3x10  
1256 Set-screw M3x12  
1297 Nut nylock M3  
401139 Shim 3x5x0.3  
401140 Screw CSH M3x6  
401141 Screw CSH M3x8  
401142 Screw CSH M3x10  
401143 Screw M2x6

#### BALL BEARINGS

401123 Ball bearing 10x15 (2)  
401124 Ball bearing 3x6 (2)  
401131 Ball bearing 5x10 (2)  
401132 Ball bearing 5x8 (2)  
401133 Ball bearing 4x8 (2)  
401134 Ball bearing 4x7 (2)  
401135 Thrust bearing 2x6x2

#### GENERAL

1605 Antenna rods green (2)  
1606 Antenna rods black (2)  
1607 Antenna rods blue (2)  
1608 Antenna rods orange (2)  
1609 Antenna rods purple (2)  
1680 One-way lube 25ml  
1682 Bearing oil 25 ml  
1690 Cleaning putty 200gram  
1683 Premium Lube 25ml  
1460 Camber gauge

#### SHOCK-OIL

1670 Silicone shock-oil 20W (100cst)  
1674 Silicone shock-oil 25W (180cst)  
1671 Silicone shock-oil 30W (350cst)  
1675 Silicone shock-oil 35W (600cst)  
1672 Silicone shock-oil 40W (1000cst)

1676 Silicone shock-oil 45W (1400cst)  
1673 Silicone shock-oil 50W (2000cst)

#### SHOCKS ABSORBERS

903164 Shock RCC short (2)  
903166 Piston rod FR (2)  
903168 Nylon parts frame shocks  
903169 Bottom insert shock (2)  
903171 O-ring 10x1 (4)  
903175 Foam insert (4)  
903177 Nut shock alu (4)  
903178 Body alu shock FR (2)  
903186 Clip + washer set RCC shocks (12)  
903200 Complete O-ring set  
909405 Nut adj alu + o-ring (4)  
909407 O-ring 3.8x1.5 (4)

#### SHOCK SPRINGS

160300 Spring white L23 (2.3/13) (2)  
160301 Spring yellow L23 (2.8/16) (2)  
160302 Spring orange L23 (3.4/19.5) (2)  
160303 Spring red L23 (4.1/23.5) (2)  
160304 Spring pink L23 (4.0/28) (2)  
160305 Spring blue L23 (5.8/33) (2)  
160306 Spring purple L23 (6.8/39) (2)  
160307 Spring green L23 (8/45.5) (2)  
160308 Spring grey L23 (9/51.5) (2)  
160309 Spring black L23 (10/57) (2)

#### MERCHANDISING

1865 Lanyard Serpent grey-silver  
1866 Decal-sheet Serpent promotional A4  
1868 Pit-towel Serpent orange 50x70cm  
1872 Rucksack Serpent (35x45cm) black  
1873 Rucksack Serpent (48x61cm) black  
1883E Banner Serpent S-logo 200x80 nylon-ER  
1998 Serpent Team cap black Deluxe

#### OPTIONALS

401099 Suspension bracket RR 2  
401100 Diff-set FR  
401101 Diff axle FR-L  
401102 Diff axle FR-R  
401103 Diff pulley 35T/shim  
401104 One-way set mid  
401105 Pulley/shim one-way 16T  
401106 Anti-roll bar FR 1.2

401107 Anti-roll bar FR 1.6  
401108 Anti-roll bar RR 1.4  
401109 Anti-roll bar RR 1.6  
401110 One-way axle-set FR  
401111 Driveshaft adaptor one-way (2)  
401112 Solid axle RR  
401113 Chassis carbon 6 cell 3.4mm  
401114 Chassis carbon 5 cell 2.5mm  
401115 Upright L+R 1 deg  
401117 Upright L+R 2 deg  
401119 Top plate carbon stiff  
401120 Top plate RR carbon stiff  
401121 Stiffener post alu (2)  
401122 Ball carbide 3mm (10)  
401125 Top-plate carbon stiff  
401126 Stiffener post alu (2)  
401127 Drive-shafts CVD alu  
401128 Middle shaft alu  
401129 Wheel adaptor clamp -0.5 (4)  
401130 Rod 26mm alu (2)  
802212 Body-mount alu (2 long + 1 short)  
802362 Body-mount alu short rear (2)  
903226 Shock rod RCC short Ti-Ni (2)  
903232 Shock spring-cup alu isl (4)  
903240 Shock spring-cup nylon isl (4)

#### PINON GEARS 48P

401201 Perfect pinion gear 48P 16T  
401202 Perfect pinion gear 48P 17T  
401203 Perfect pinion gear 48P 18T  
401204 Perfect pinion gear 48P 19T  
401205 Perfect pinion gear 48P 20T  
401206 Perfect pinion gear 48P 21T  
401207 Perfect pinion gear 48P 22T  
401208 Perfect pinion gear 48P 23T  
401209 Perfect pinion gear 48P 24T  
401210 Perfect pinion gear 48P 25T  
401211 Perfect pinion gear 48P 26T  
401212 Perfect pinion gear 48P 27T  
401213 Perfect pinion gear 48P 28T  
401214 Perfect pinion gear 48P 29T  
401215 Perfect pinion gear 48P 30T  
401216 Perfect pinion gear 48P 31T  
401217 Perfect pinion gear 48P 32T  
401218 Perfect pinion gear 48P 33T  
401219 Perfect pinion gear 48P 34T  
401220 Perfect pinion gear 48P 35T  
401221 Perfect pinion gear 48P 36T  
401222 Perfect pinion gear 48P 37T  
401223 Perfect pinion gear 48P 38T

401224 Perfect pinion gear 48P 39T  
401225 Perfect pinion gear 48P 40T

#### **PINON GEARS 64P**

401226 Perfect pinion gear 64P 18T  
401227 Perfect pinion gear 64P 19T  
401228 Perfect pinion gear 64P 20T  
401229 Perfect pinion gear 64P 21T  
401230 Perfect pinion gear 64P 22T  
401231 Perfect pinion gear 64P 23T  
401232 Perfect pinion gear 64P 24T  
401233 Perfect pinion gear 64P 25T  
401234 Perfect pinion gear 64P 26T  
401235 Perfect pinion gear 64P 27T  
401236 Perfect pinion gear 64P 28T  
401237 Perfect pinion gear 64P 29T  
401238 Perfect pinion gear 64P 30T  
401239 Perfect pinion gear 64P 31T  
401240 Perfect pinion gear 64P 32T  
401241 Perfect pinion gear 64P 33T  
401242 Perfect pinion gear 64P 34T  
401243 Perfect pinion gear 64P 35T  
401244 Perfect pinion gear 64P 36T  
401245 Perfect pinion gear 64P 37T  
401246 Perfect pinion gear 64P 38T  
401247 Perfect pinion gear 64P 39T  
401248 Perfect pinion gear 64P 40T  
401249 Perfect pinion gear 64P 41T  
401250 Perfect pinion gear 64P 42T  
401251 Perfect pinion gear 64P 43T  
401252 Perfect pinion gear 64P 44T  
401253 Perfect pinion gear 64P 45T  
401254 Perfect pinion gear 64P 46T  
401255 Perfect pinion gear 64P 47T  
401256 Perfect pinion gear 64P 48T  
401257 Perfect pinion gear 64P 49T  
401258 Perfect pinion gear 64P 50T  
401259 Perfect pinion gear 64P 51T  
401260 Perfect pinion gear 64P 52T

#### **SPUR GEARS 48P**

401261 Perfect spur gear 48P 65T  
401262 Perfect spur gear 48P 66T  
401263 Perfect spur gear 48P 67T  
401264 Perfect spur gear 48P 68T  
401265 Perfect spur gear 48P 69T  
401266 Perfect spur gear 48P 70T  
401267 Perfect spur gear 48P 71T  
401268 Perfect spur gear 48P 72T

401269 Perfect spur gear 48P 73T  
401270 Perfect spur gear 48P 74T  
401271 Perfect spur gear 48P 75T  
401272 Perfect spur gear 48P 76T  
401273 Perfect spur gear 48P 77T  
401274 Perfect spur gear 48P 78T  
401275 Perfect spur gear 48P 79T  
401276 Perfect spur gear 48P 80T  
401277 Perfect spur gear 48P 81T  
401278 Perfect spur gear 48P 82T  
401279 Perfect spur gear 48P 83T  
401280 Perfect spur gear 48P 84T  
401281 Perfect spur gear 48P 85T  
401282 Perfect spur gear 48P 86T  
401283 Perfect spur gear 48P 87T  
401284 Perfect spur gear 48P 88T  
401285 Perfect spur gear 48P 89T  
401286 Perfect spur gear 48P 90T  
401287 Perfect spur gear 48P 91T  
401288 Perfect spur gear 48P 92T  
401289 Perfect spur gear 48P 93T  
401290 Perfect spur gear 48P 94T  
401291 Perfect spur gear 48P 95T  
401292 Perfect spur gear 48P 96T

#### **SPUR GEARS 64P**

401293 Perfect spur gear 64P 87T  
401294 Perfect spur gear 64P 88T  
401295 Perfect spur gear 64P 89T  
401296 Perfect spur gear 64P 90T  
401297 Perfect spur gear 64P 91T  
401298 Perfect spur gear 64P 92T  
401299 Perfect spur gear 64P 93T  
401300 Perfect spur gear 64P 94T  
401301 Perfect spur gear 64P 95T  
401302 Perfect spur gear 64P 96T  
401303 Perfect spur gear 64P 97T  
401304 Perfect spur gear 64P 98T  
401305 Perfect spur gear 64P 99T  
401306 Perfect spur gear 64P 100T  
401307 Perfect spur gear 64P 101T  
401308 Perfect spur gear 64P 102T  
401309 Perfect spur gear 64P 103T  
401310 Perfect spur gear 64P 104T  
401311 Perfect spur gear 64P 105T  
401312 Perfect spur gear 64P 106T  
401313 Perfect spur gear 64P 107T  
401314 Perfect spur gear 64P 108T  
401315 Perfect spur gear 64P 109T  
401316 Perfect spur gear 64P 110T

401317 Perfect spur gear 64P 111T  
401318 Perfect spur gear 64P 112T  
401319 Perfect spur gear 64P 113T  
401320 Perfect spur gear 64P 114T  
401321 Perfect spur gear 64P 115T  
401322 Perfect spur gear 64P 116T  
401323 Perfect spur gear 64P 117T  
401324 Perfect spur gear 64P 118T  
401325 Perfect spur gear 64P 119T  
401326 Perfect spur gear 64P 120T  
401327 Perfect spur gear 64P 121T  
401328 Perfect spur gear 64P 122T  
401329 Perfect spur gear 64P 123T  
401330 Perfect spur gear 64P 124T  
401331 Perfect spur gear 64P 125T  
401332 Perfect spur gear 64P 126T  
401333 Perfect spur gear 64P 127T  
401334 Perfect spur gear 64P 128T  
401335 Perfect spur gear 64P 129T  
401336 Perfect spur gear 64P 130T

#### **BATTERY TAPE**

401401 Strapping tape (white) 50m x 19mm  
401402 Strapping tape (blue) 50m x 17mm  
401403 Strapping tape (black) 50m x 17mm  
401404 Strapping tape (purple) 50m x 17mm  
401405 Strapping tape (pink) 50m x 17mm

Go MotionX  
A WEED EATER PLUS RAGER



# S400

CompetitionX  
A WEB SITE FOR THE SERIOUS RAGER

**SERPENT**

Serpent Model Racing Cars BV  
Spaarneweg 12E, 2142 EN, Cruquius  
The Netherlands, Europe