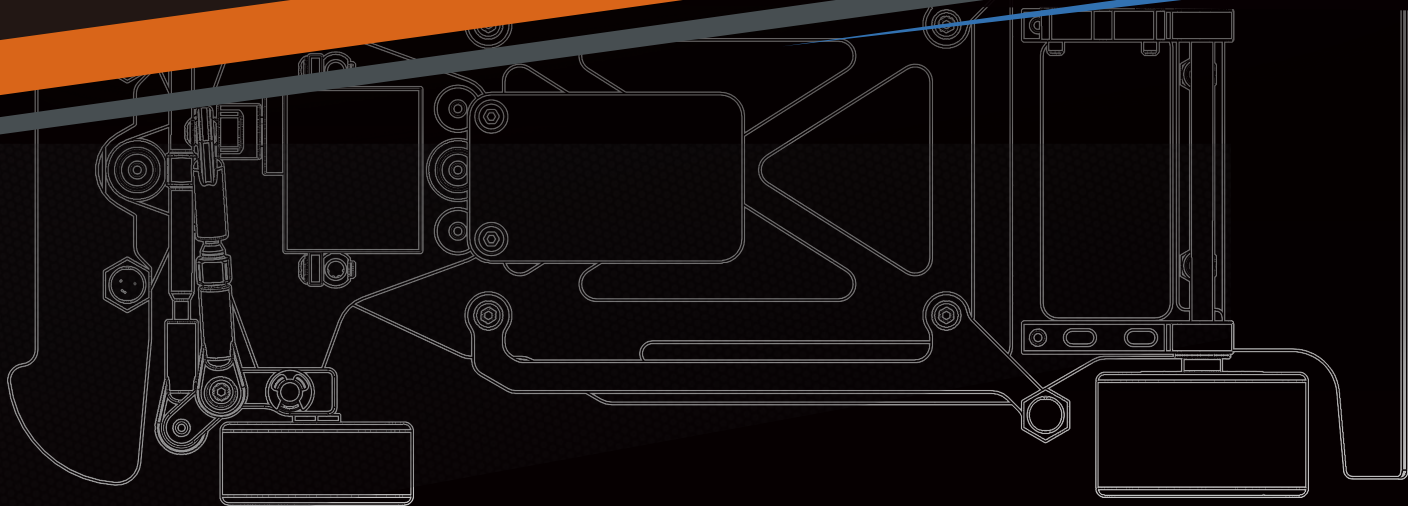




S40



**SERPENT**



## **INTRODUCTION**

Serpent enters the small scale competition market with the S240, which like all our previous cars, has been designed to perform straight from the box. Made using top quality materials throughout, the S240 should see you in the winners circle in no time. In fact everything associated with this car is of the highest quality, from the packaging and supplied manuals, right through to the product and race support.

## **INSTRUCTIONS**

Serpent's long tradition of excellence extends to their instruction manuals, and this instruction manual is no exception. The easy-to-follow layout is richly illustrated with 3D-rendered full-color images to make your building experience quick and easy. Following the instructions will result in a well-built, high-performance racecar that will soon be able to unleash its full potential at the racetrack.

## **EXPLODED VIEWS AND PARTS LIST**

The exploded views and parts lists for the Serpent S240 are presented in the Reference Guide section in the back of this manual. The exploded views show all the parts of a particular assembly step along with the Serpent part number. The parts lists indicate the part number and name of each part for easy reference when ordering.

## **SAFETY**

Included with your Serpent S240 kit is a document entitled "Read This First" that covers safety precautions for the assembly and use of this product. We strongly recommend that you thoroughly read and understand that document, and follow all the precautions.

# SERPENT.COM

The printed instruction manual included with your Serpent S240 kit is very complete, though due to continuous product development, more up-to-date information may be provided at our Serpent.com website.

All information about the Serpent S240 is accessible from the Serpent S240 product page found on Serpent.com and can be accessed by simply typing **serpent.com/420002/420003** into your web browsers address bar.

From the Serpent S240 product page you will find the very latest information about your Serpent S240: reports by team drivers and other experts, tips and tricks, setups, image gallery and downloadable files including the latest version of the instruction manual will be made available as downloadable PDF files.

# CONTENTS

ASSEMBLY INSTRUCTIONS  
EXPLODED VIEWS

5  
22

# USING THE MANUAL

① ② ③

Step number; the order in which you should assemble the indicated parts



Length after assembly



Assembly path of one item into another



Group of items (within lines) should be assembled first



Direction the item should be moved



Glue one item to another



Press/Insert one item into another



Connect one item to another



Gap between two items



Carefull, read and check very well.



Apply a small amount of cyano glue. Use wear protection for eyes and hands.



Detail view to explain assembly or order of parts better.



Default set-up: This symbol indicates the default setup.



Grease: apply a small amount of grease to the parts shown.



Left and right parts should be assembled in the same way.



Thread lock: apply a small amount on the parts shown. Before to apply the threadlock, make sure to degrease the parts very well, as otherwise the threadlock will not work.



Silicone oil: use the indicated silicone oil for the shocks and differentials.

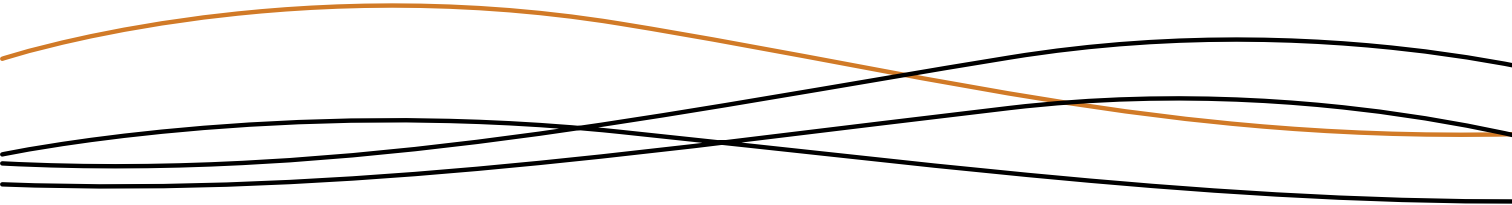


Parts or items not included in the kit.



Optional part, not standard in the kit.

# ASSEMBLY INSTRUCTIONS



A

1

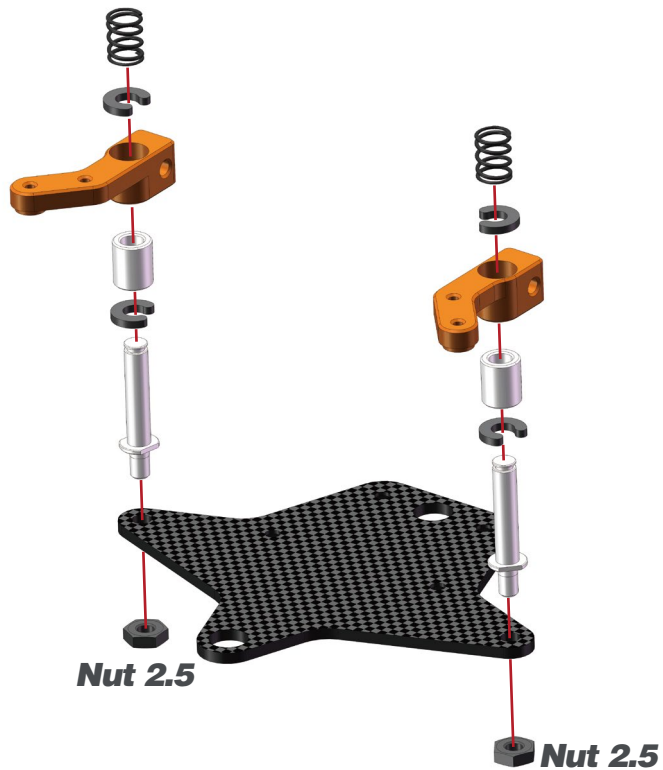
Bag

1

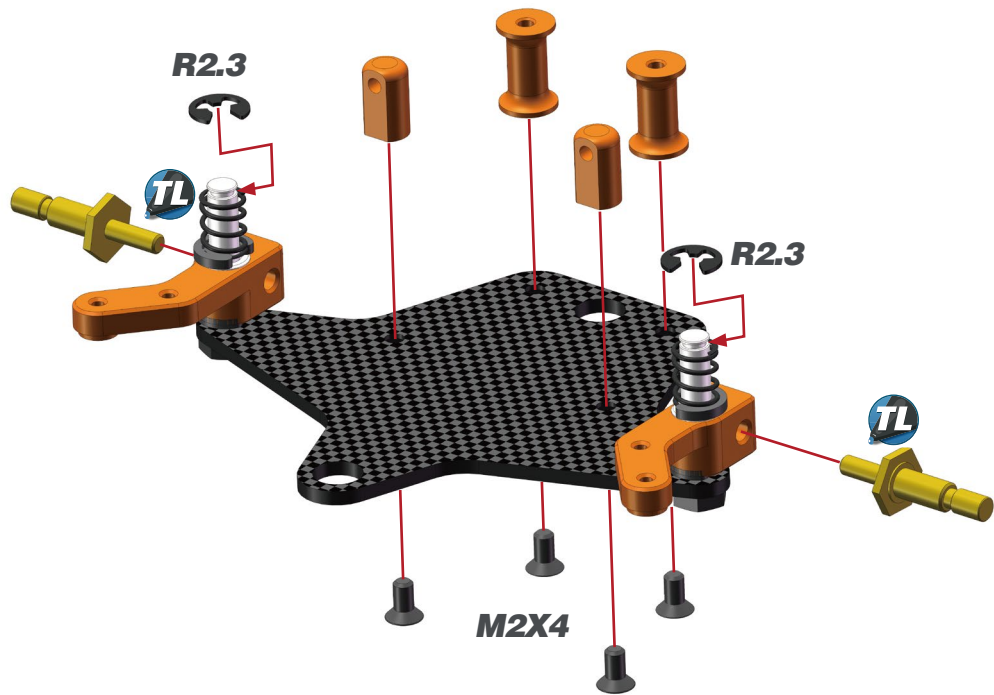


Page

6



Nut 2.5



A

3

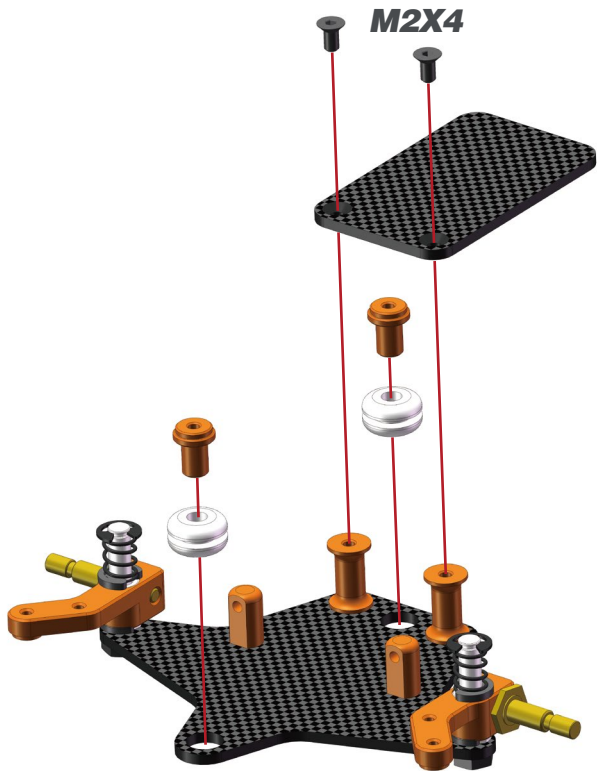
Bag

2



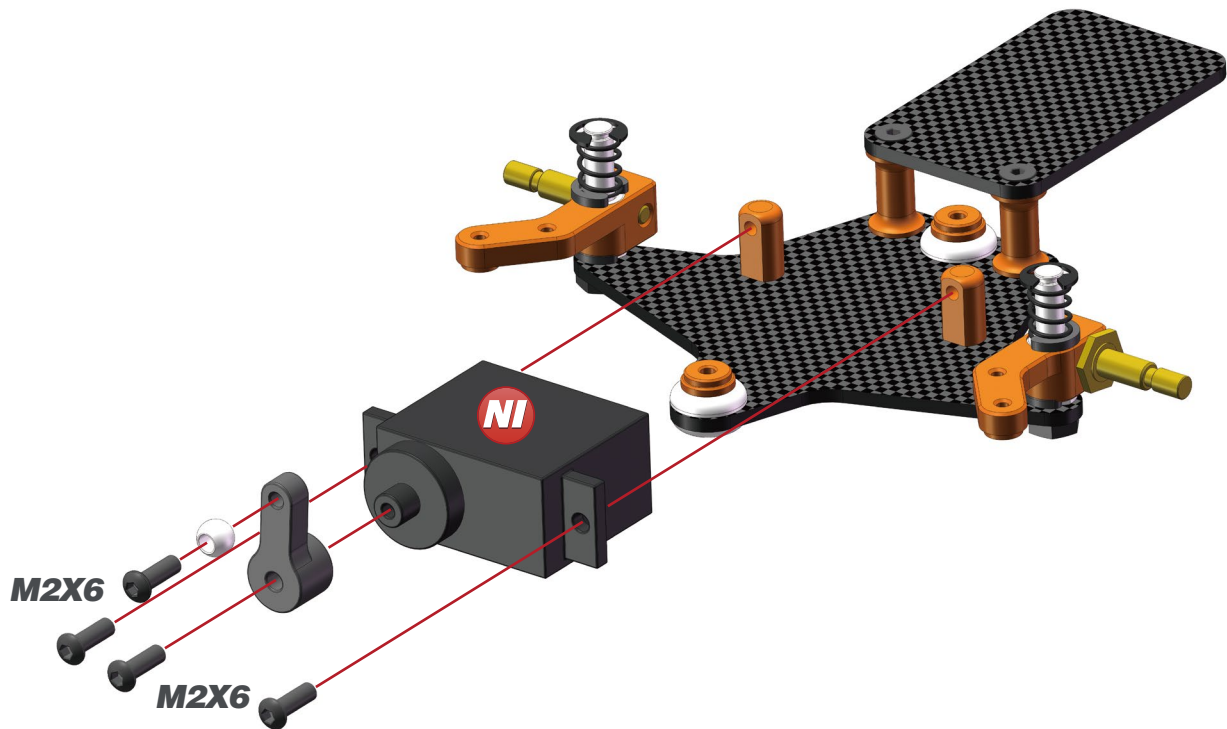
Page

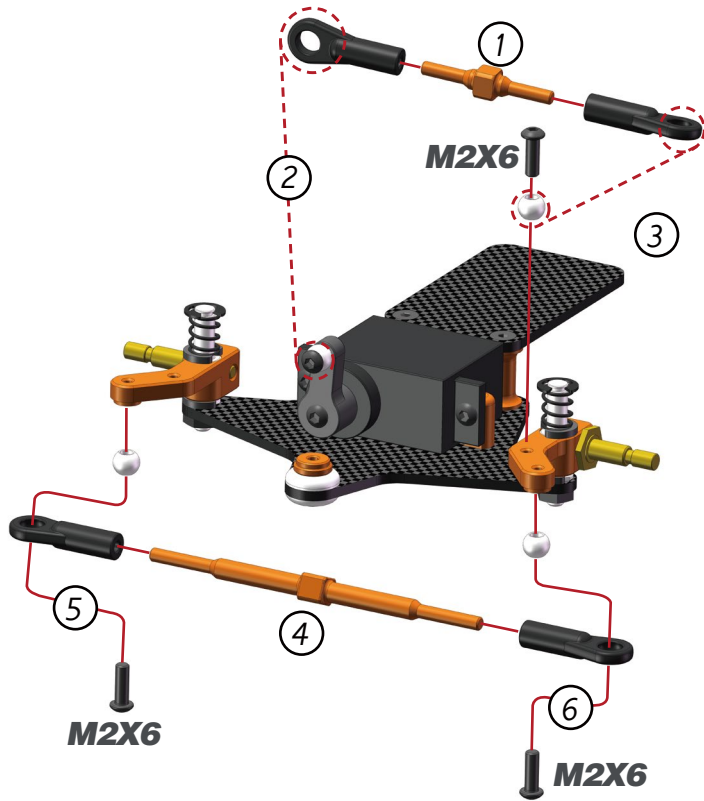
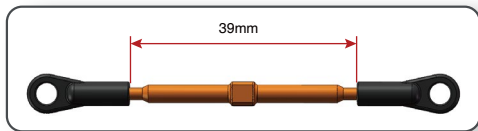
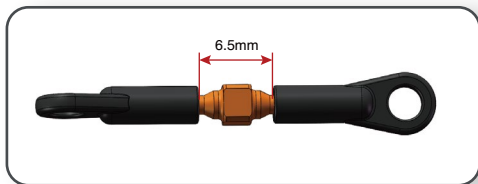
8



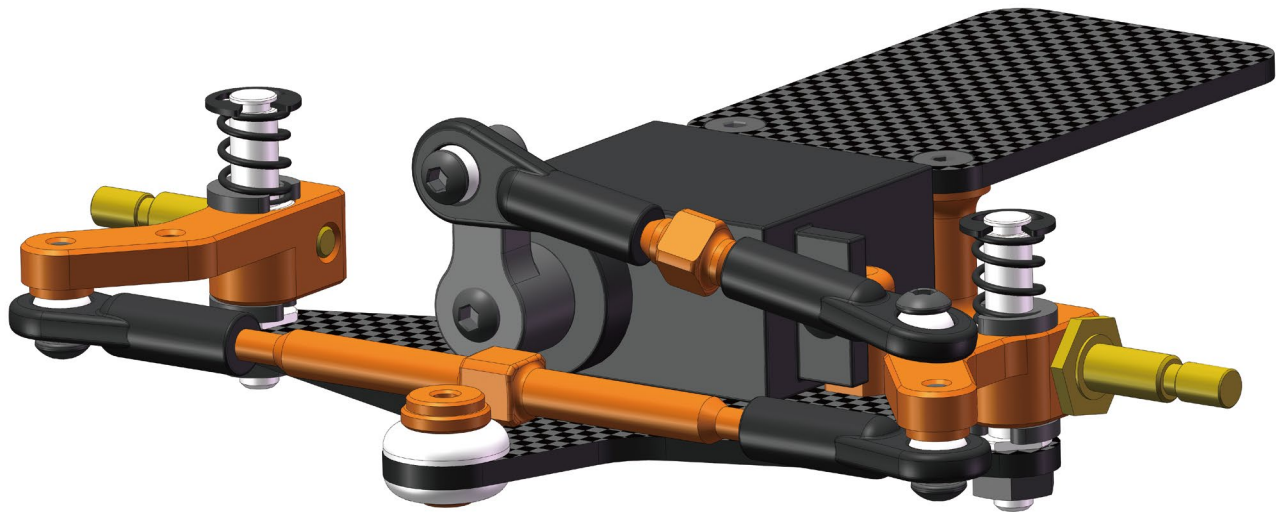
M2x4

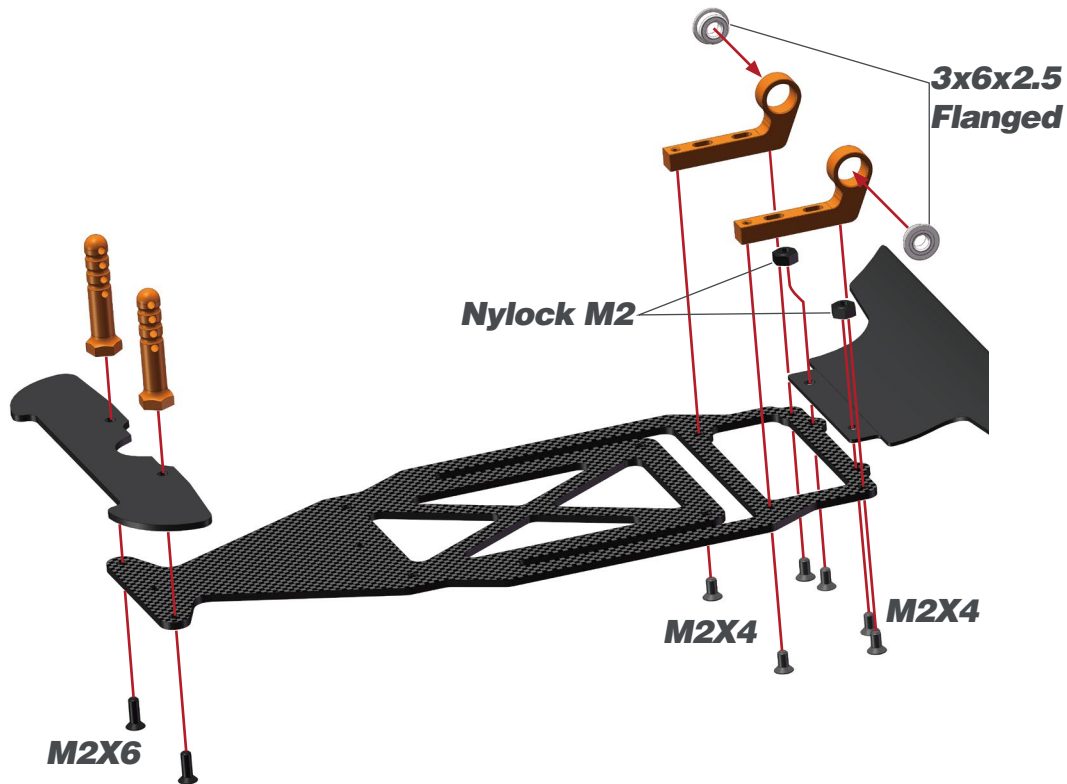




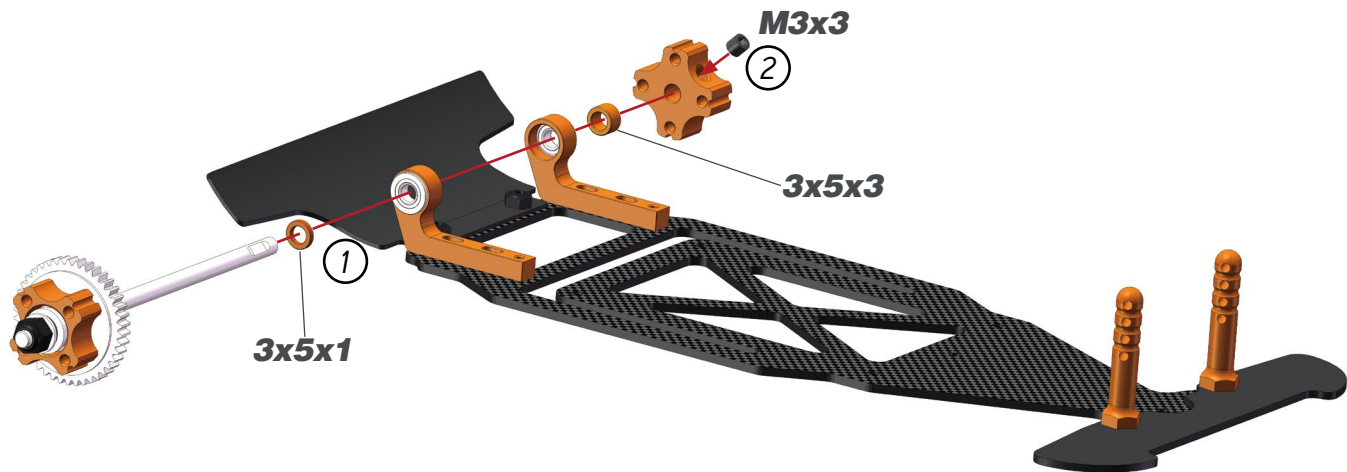


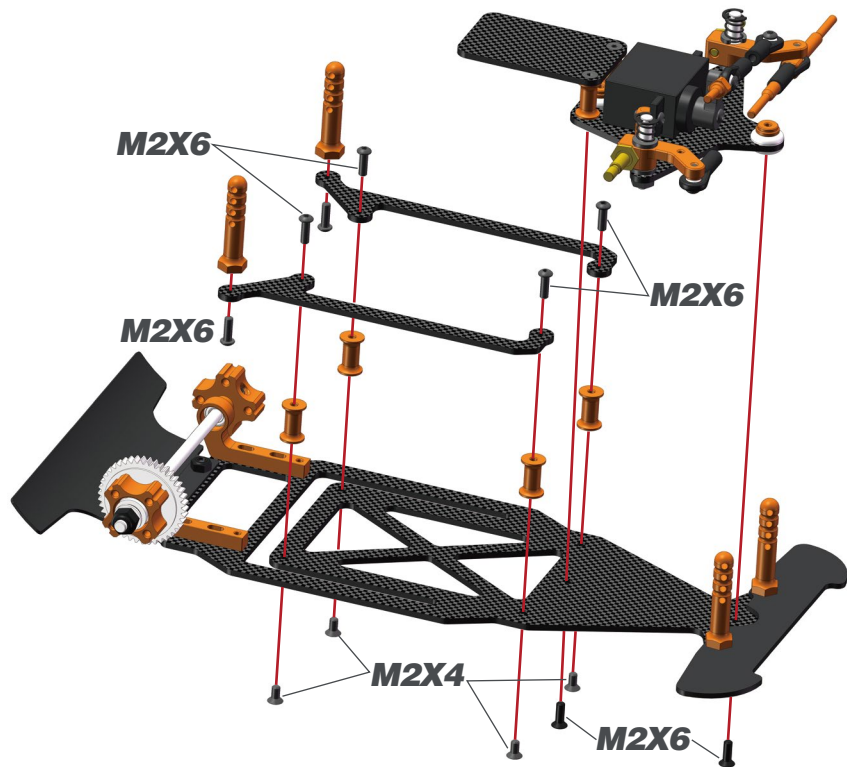
M2x6

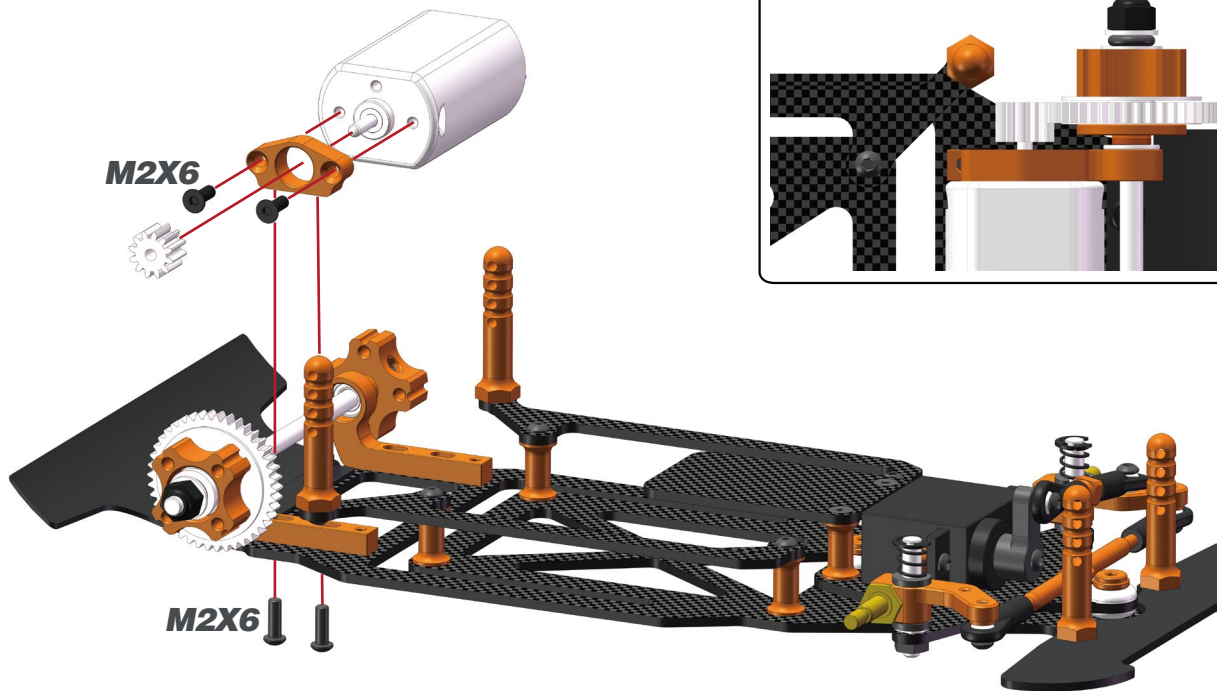




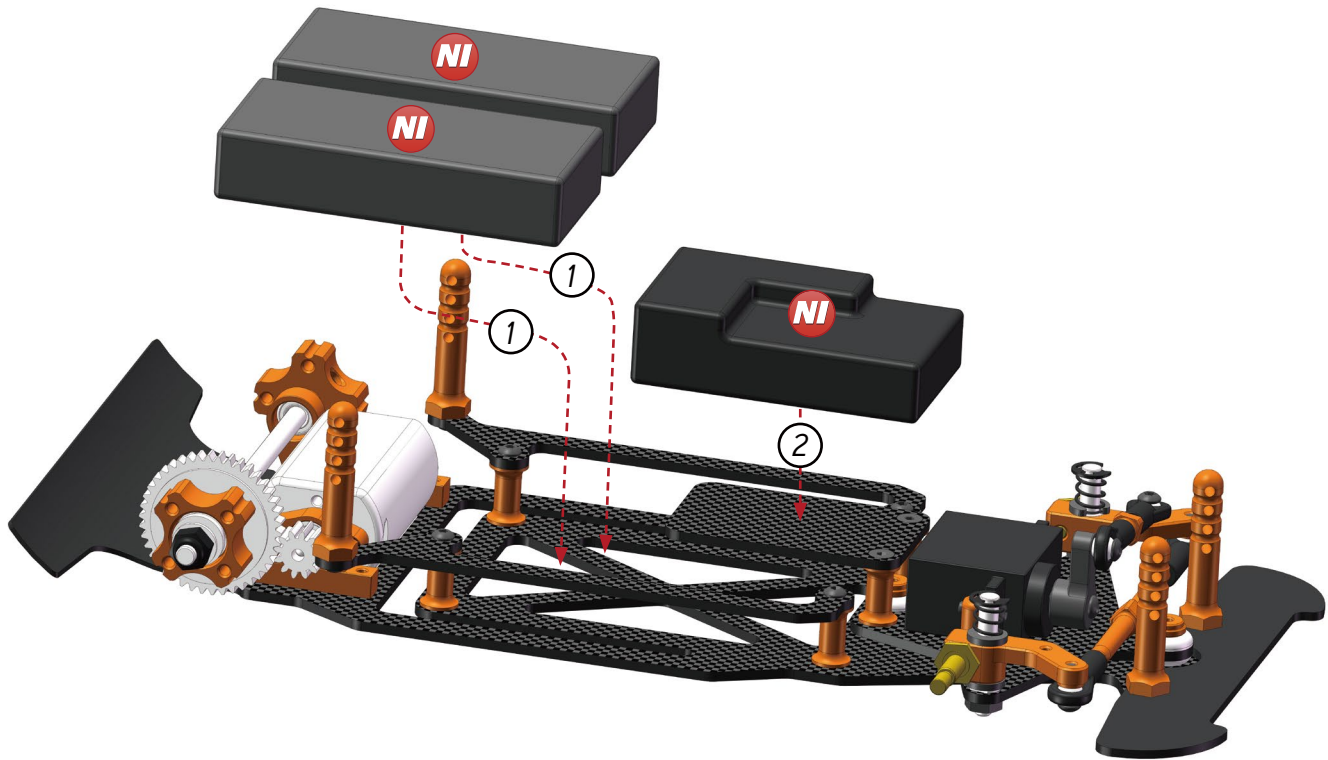


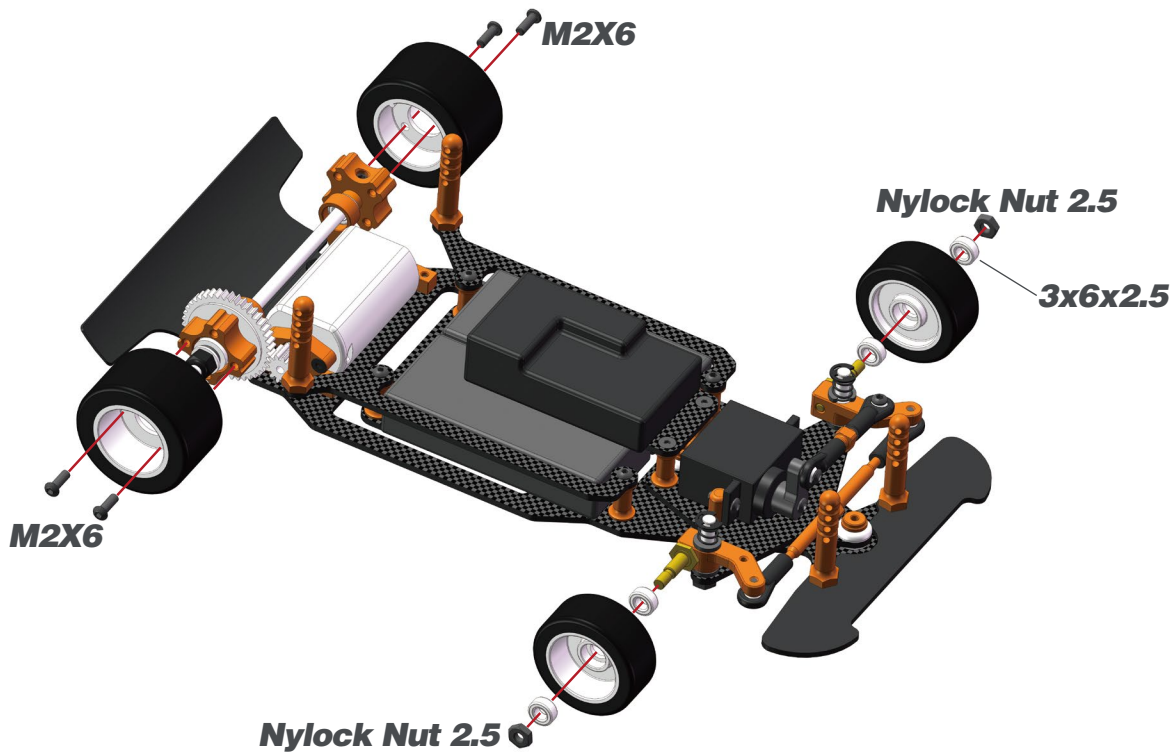


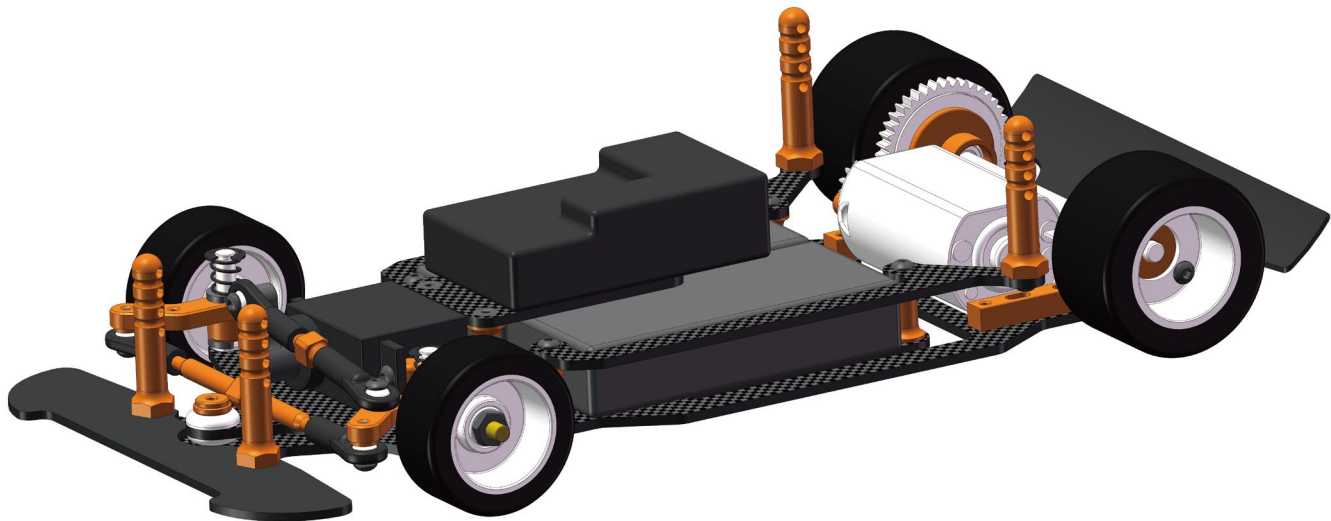


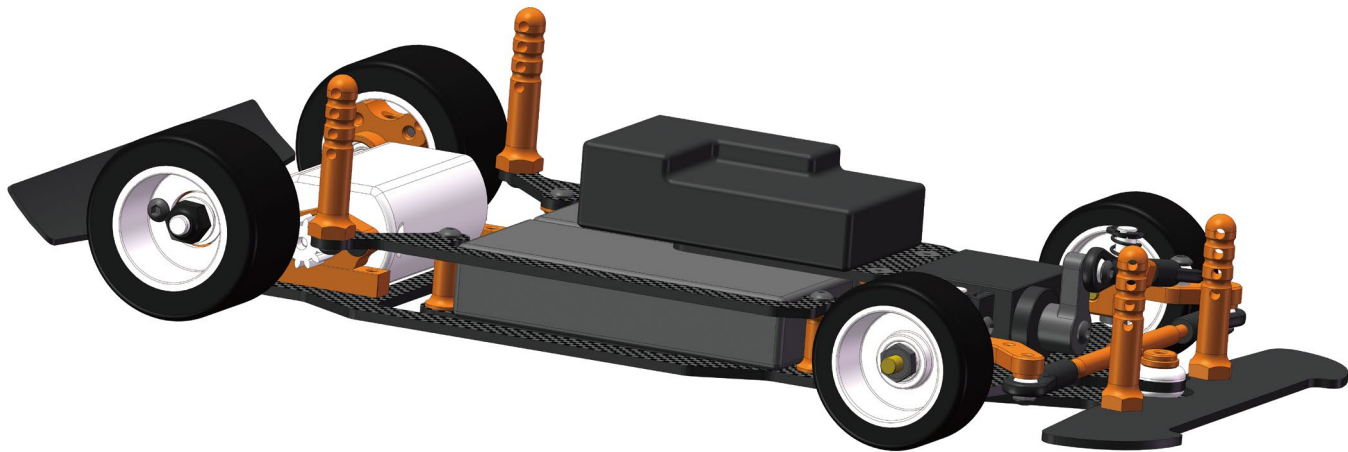


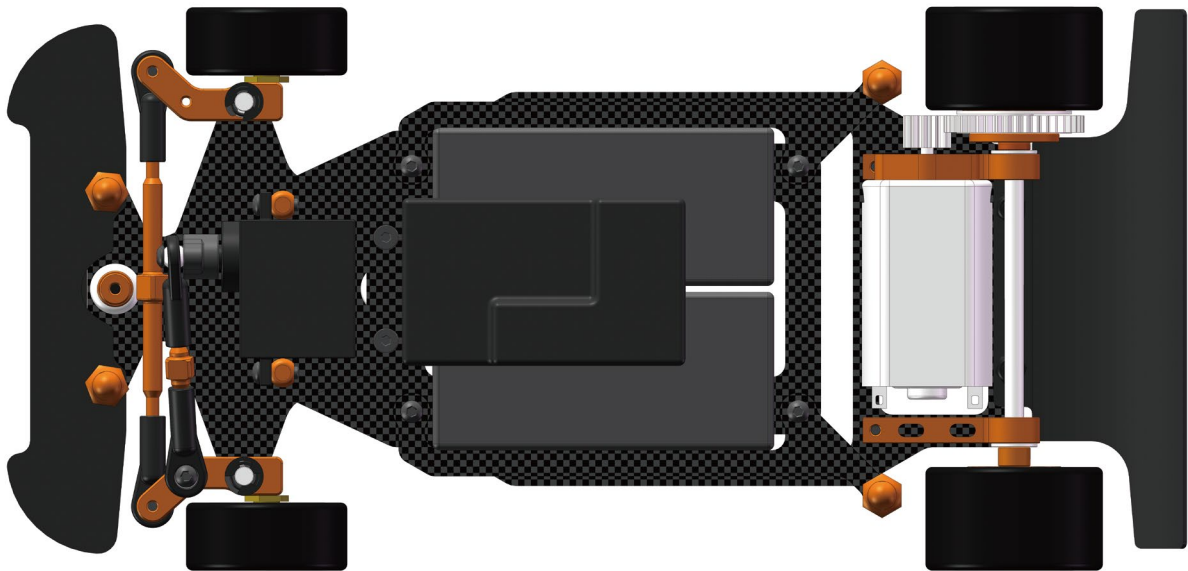




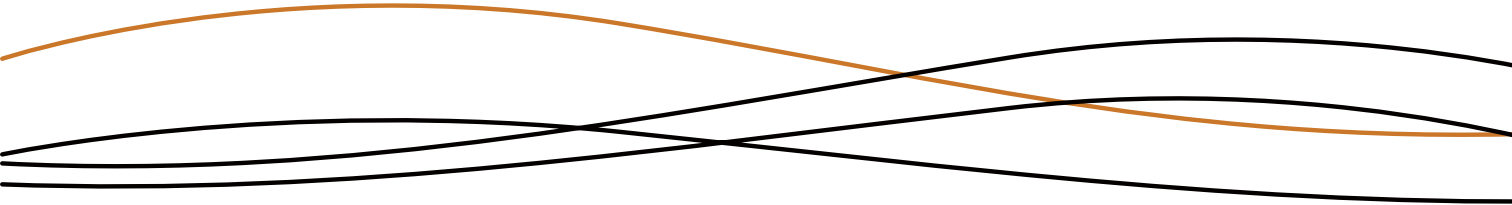


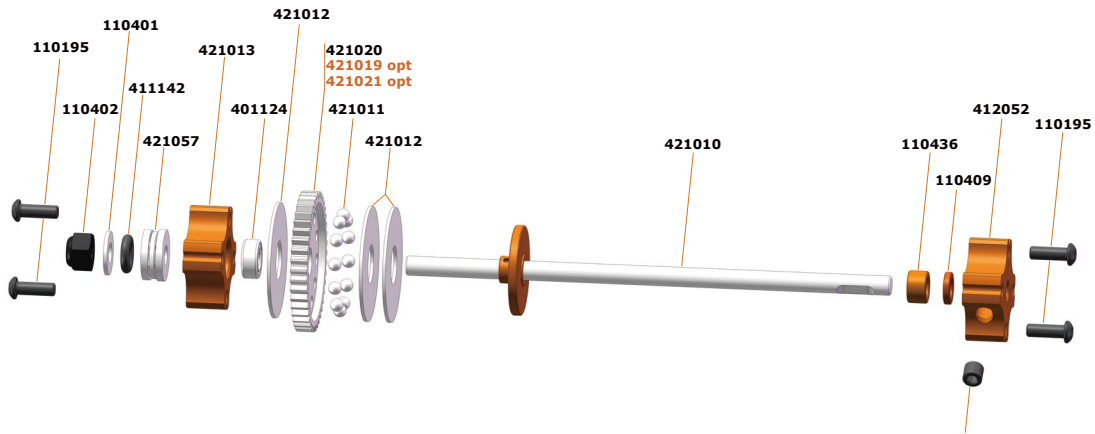


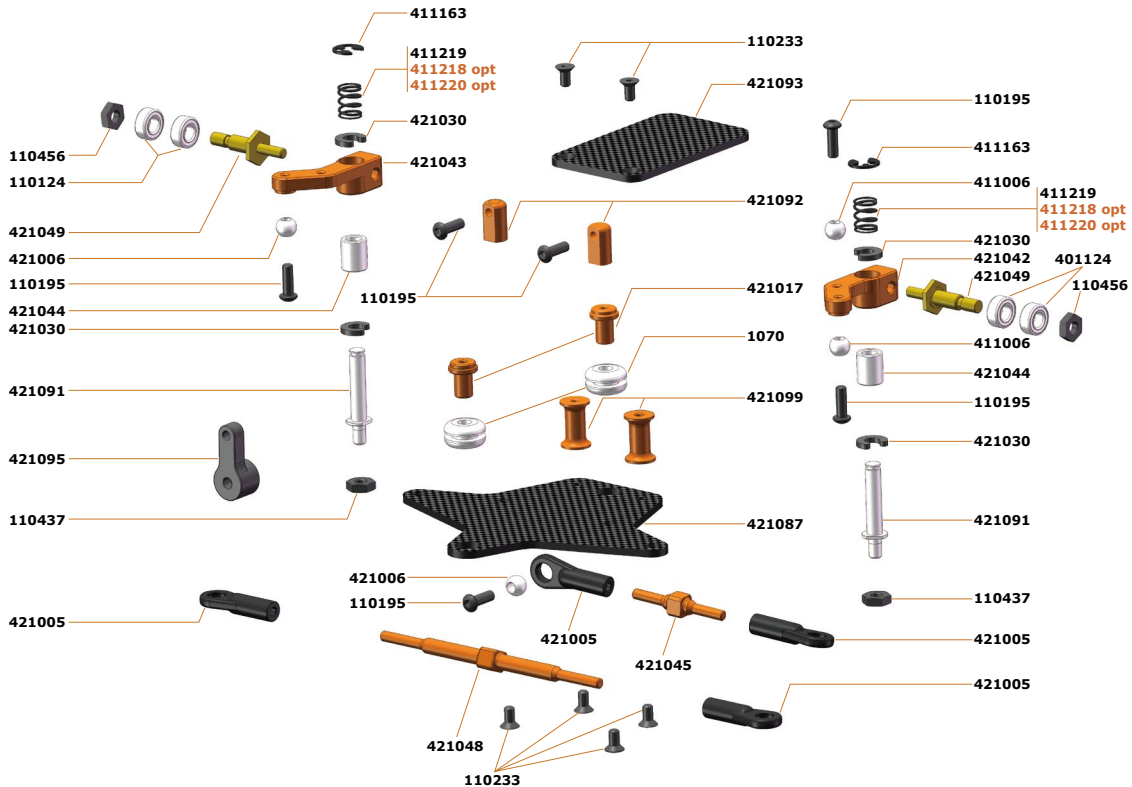




# EXPLODED VIEWS







411218 Front spring 22lbs S120L (2)  
 411220 Front spring 26lbs S120L (2)





421025  
421026 opt  
421027 opt

110234

110195

421094

110195

421094

421099

421099

421007

421008

110233

110195

110234

421007

421089

421007

1399

421088

110195

421088

421009

110465

421090

110233

110233

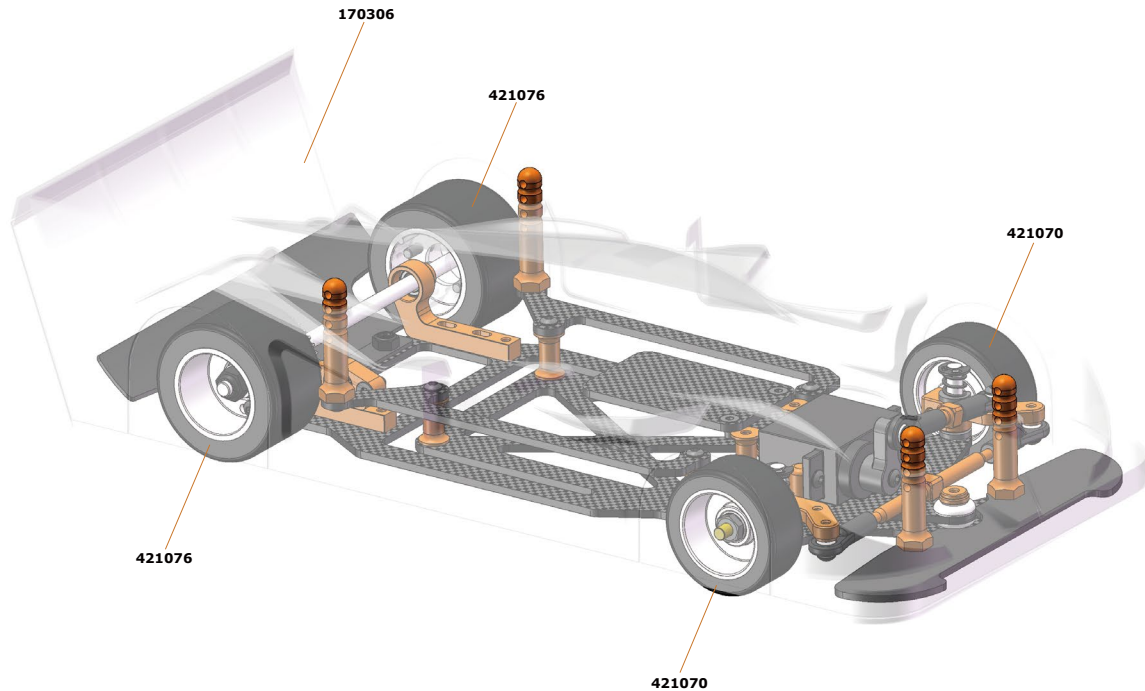
110195

110233

110233

421026 Pinion 12T  
421027 Pinion 8T





## SERPENT WEBSITE AND BLOG

[www.serpent.com](http://www.serpent.com)  
[www.teamserpent.com](http://www.teamserpent.com)  
[www.dragon-rc.com](http://www.dragon-rc.com)

**SERPENT PROMO PAGES** <http://promo.serpent.com>

**SERPENT FACEBOOK GROUPS** <http://promo.serpent.com/indexfb.htm>

**SERPENT ADVANCED MANUALS** <http://promo.serpent.com/sam/>

## SERPENT SOCIAL MEDIA



[www.facebook.com/SerpentMRC](http://www.facebook.com/SerpentMRC)



[www.youtube.com/user/SerpentMRC](http://www.youtube.com/user/SerpentMRC)



[www.twitter.com/SerpentMRC](http://www.twitter.com/SerpentMRC)

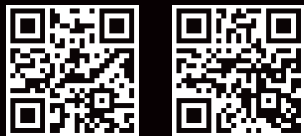


[www.plus.google.com/+SerpentModelcars/posts](http://www.plus.google.com/+SerpentModelcars/posts)



[www.weibo.com/teamserpent](http://www.weibo.com/teamserpent)

# INSTRUCTION MANUAL



Manual S240 '21 #98593-1

**SERPENT**