

**F180<sup>®</sup>**



**REFERENCE GUIDE**



## INTRODUCTION

### PARTS LIST & EXPLODED VIEWS

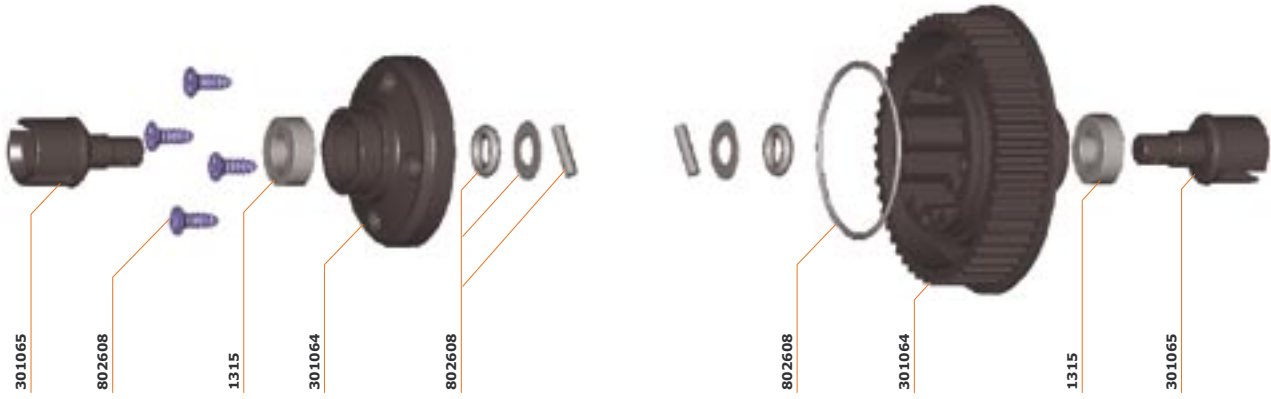
The parts list and the exploded views for the Serpent F180 are separate from the Instruction Manual. The exploded views show all the parts for a particular assembly step, together with the Serpent part number. In the parts list at the back of this Reference Guide you will find the part number and the name of the part. In addition to all the Serpent F180 parts used in this car kit, you will also find lists of option parts for the Serpent F180, as well as a general items (such as fasteners) and promotional items.

Serpent will regularly update the Serpent F180 parts list and will make it available on the Serpent F180 product page at Serpent.com so be sure to check that page frequently. All information about the F180 can be found here: publications, news items, set-ups, FAQ's, images, downloads and videos. Serpent.com provides you with an enormous amount of interesting and often valuable information about the Serpent F180; information is provided by Serpent, its factory and team drivers, and experienced racers from around the world. If you haven't visited Serpent.com yet, go today and experience why Serpent excels not only on the track, but also on the Internet.

## CONTENTS

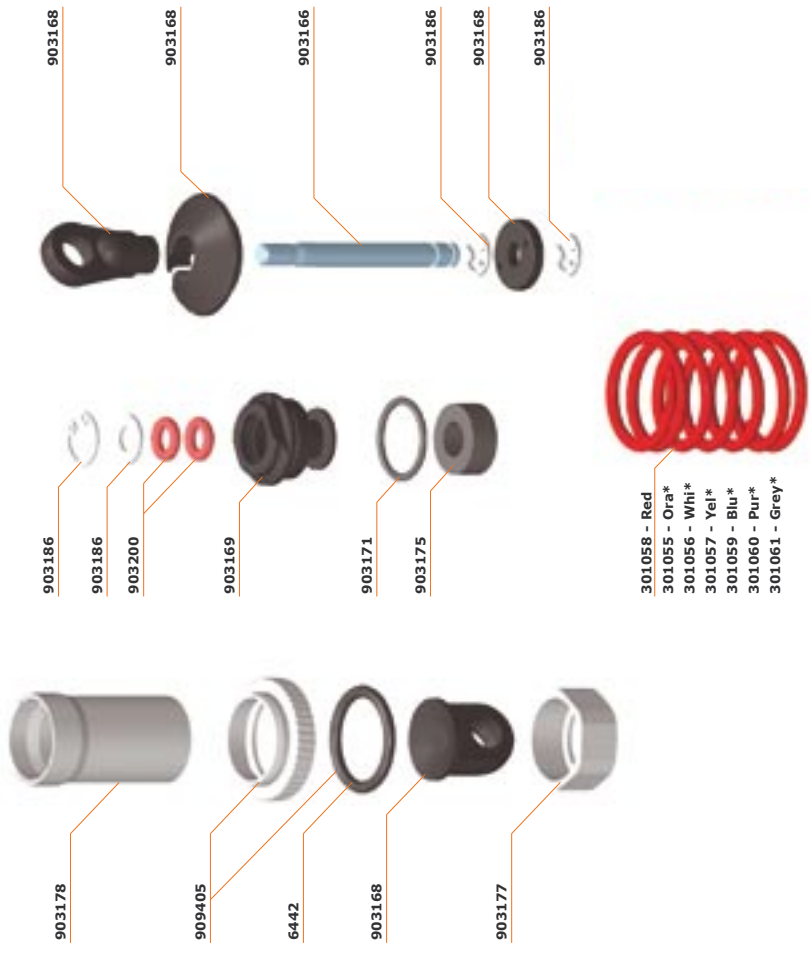
1.0	SHOCK ABSORBERS	3
2.0	DIFFERENTIAL	3
3.0	REAR ASSEMBLY	4
4.0	FRONT 1 ASSEMBLY	5
5.0	FRONT 2 ASSEMBLY	6
6.0	GEARBOX ASSEMBLY	7
7.0	RADIO PLATE MOUNTING	7
8.0	CENTAX ASSEMBLY	8
9.0	FINAL ASSEMBLY	8
10.0	ENGINE EXPLODED VIEW	9
11.0	PARTS LIST SERPENT F180	10

# DIFFERENTIAL



#301063 - Complete Rear Gear Differential

# SHOCK ABSORBERS

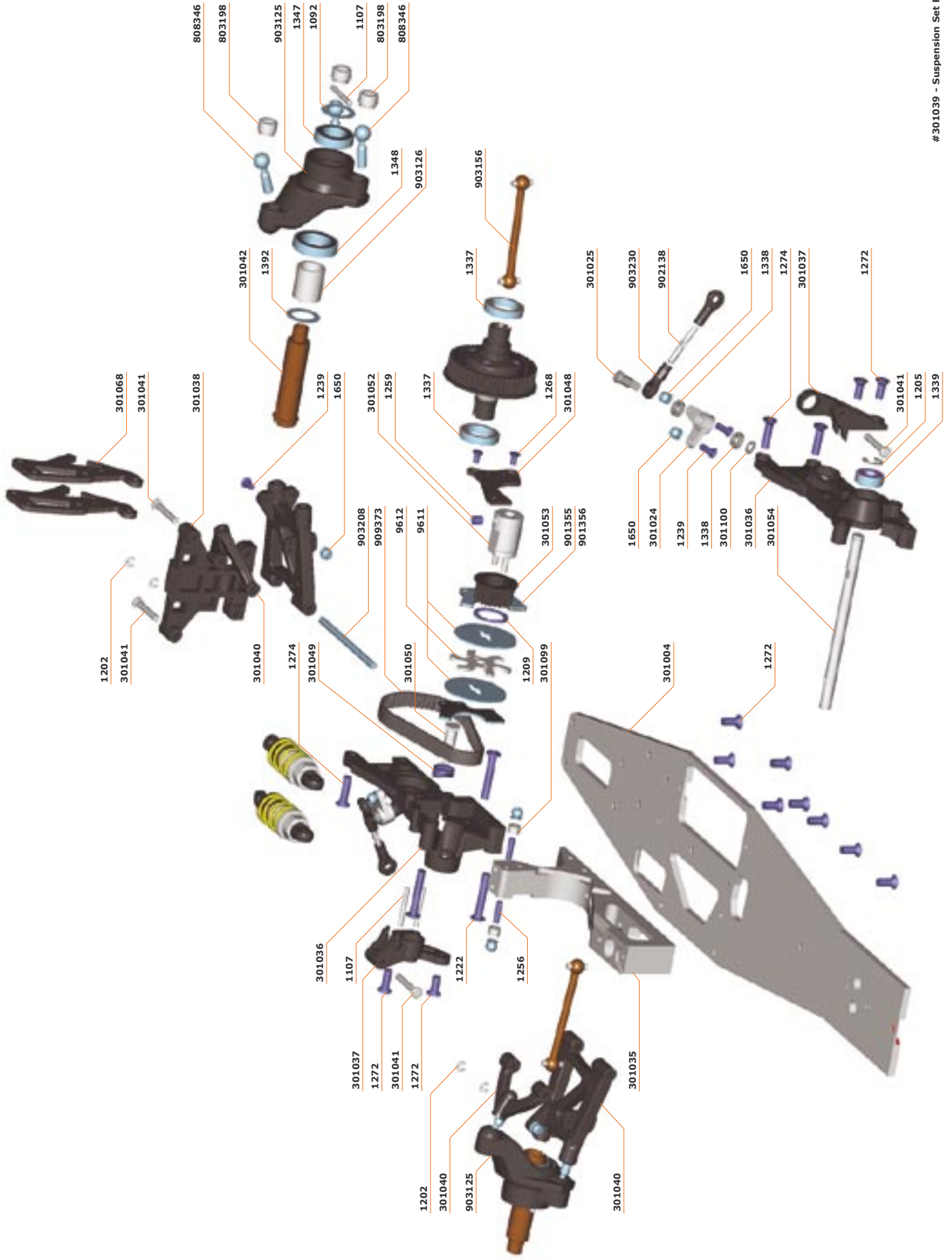


#903164 - Set of Short Shock Absorbers (used Front & Rear)

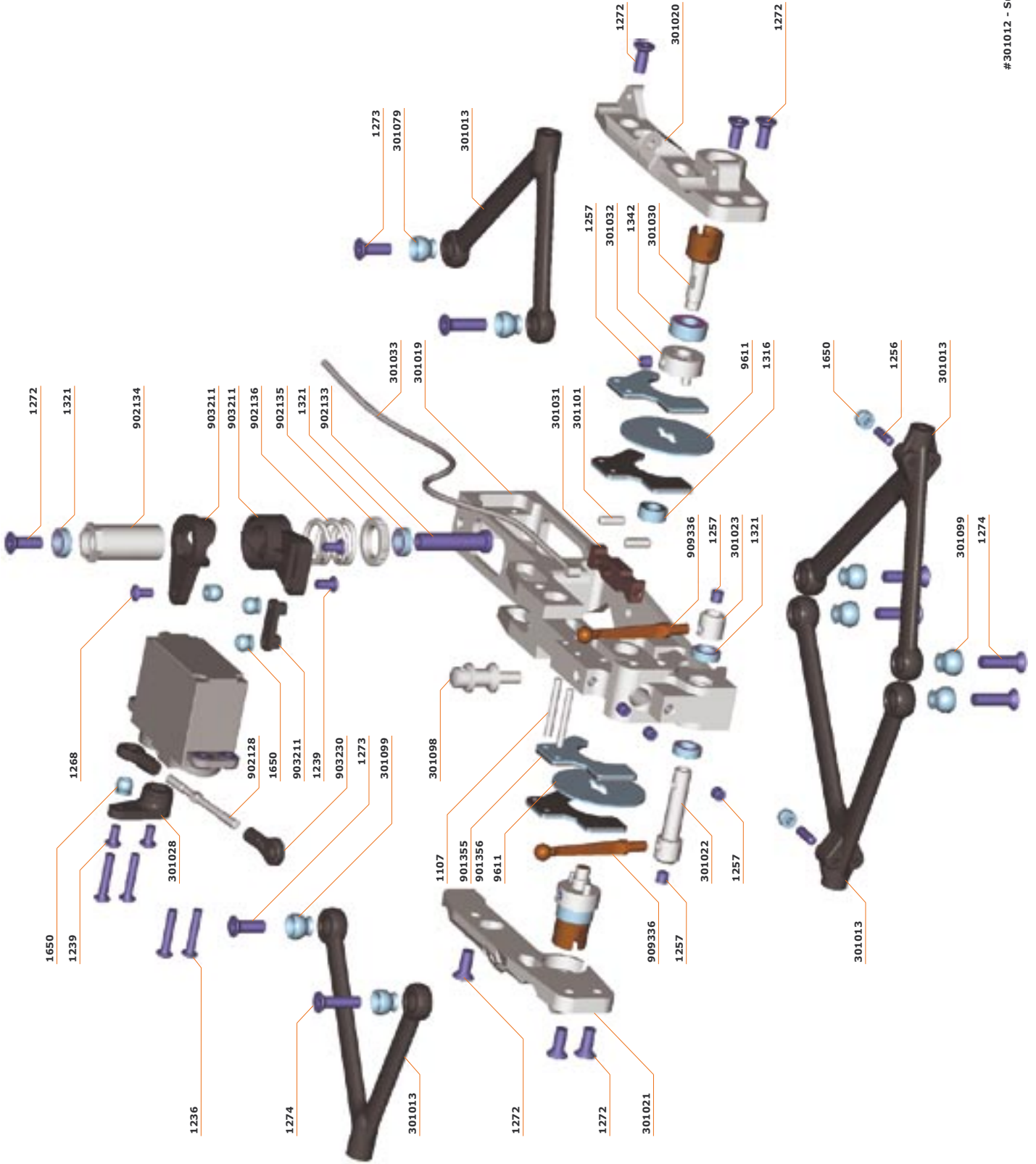
#903200 - Complete O-ring Set

\* Optional

# REAR ASSEMBLY

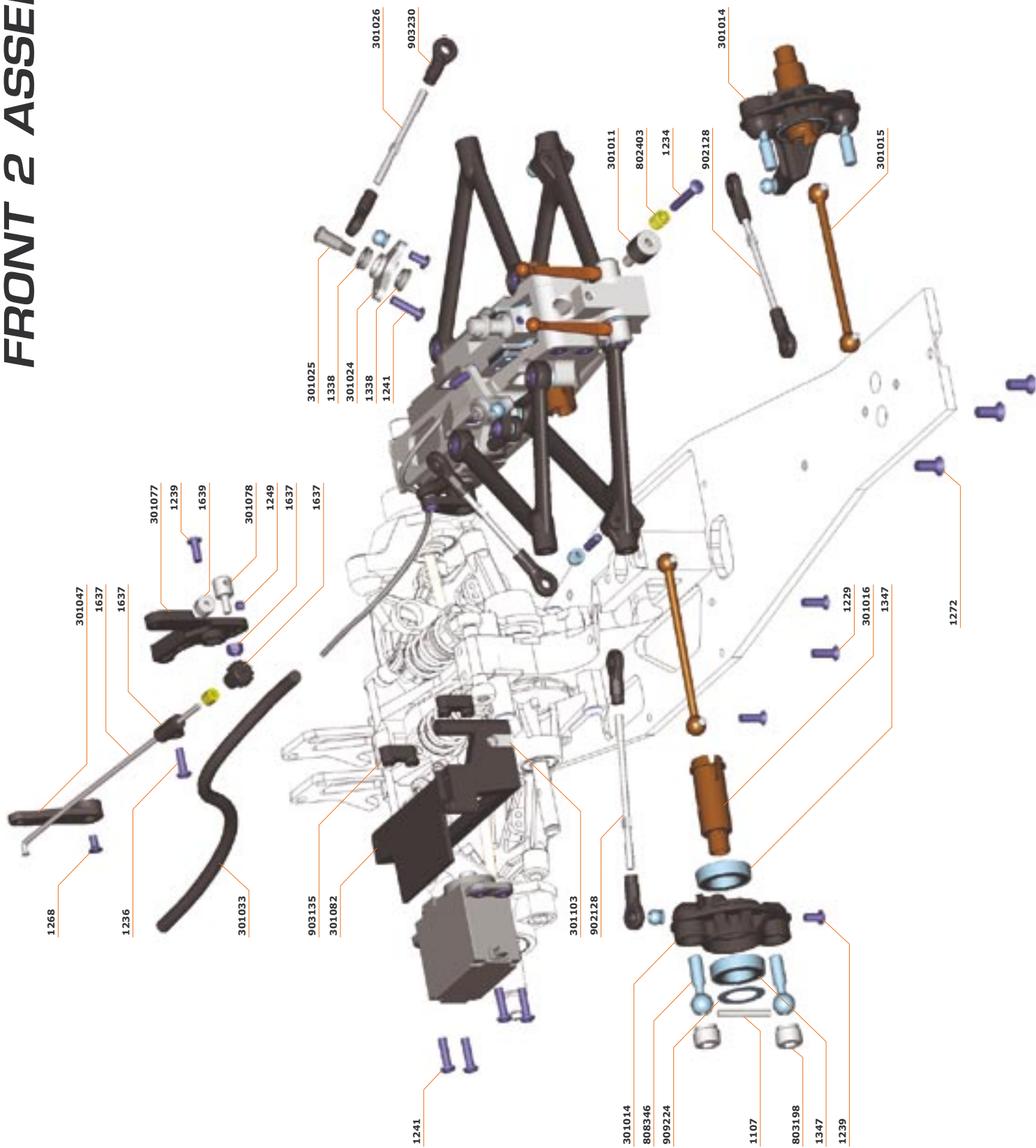


# FRONT 1 ASSEMBLY



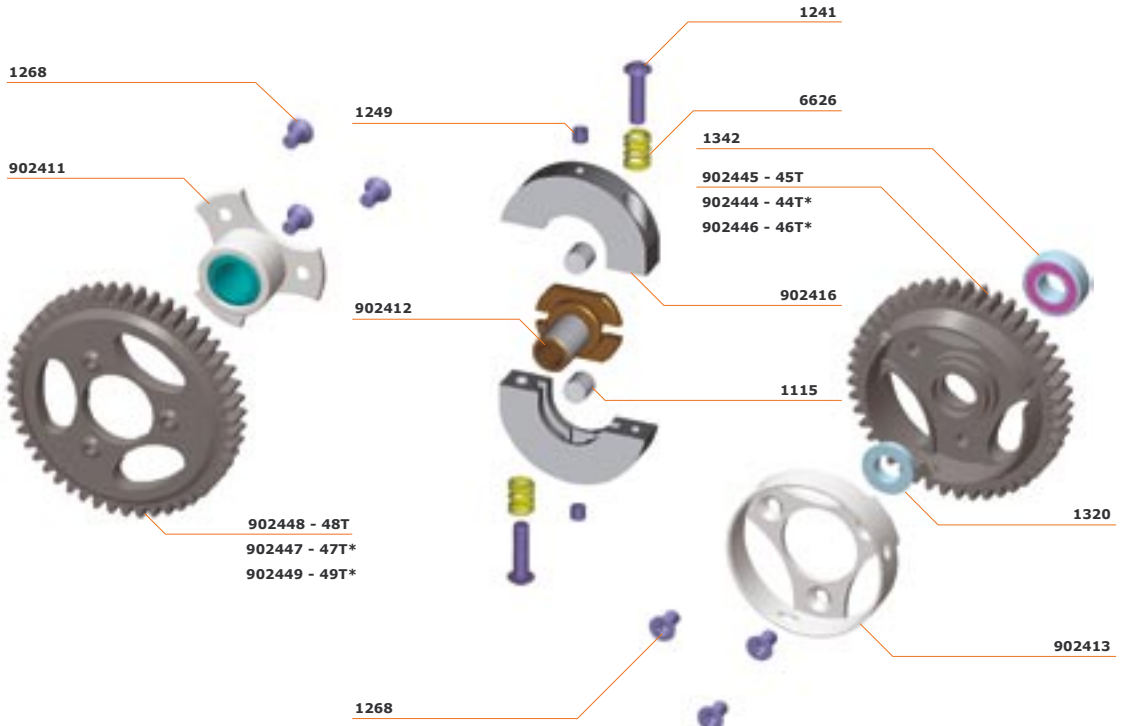
#301012 - Suspension Set Front

# FRONT 2 ASSEMBLY



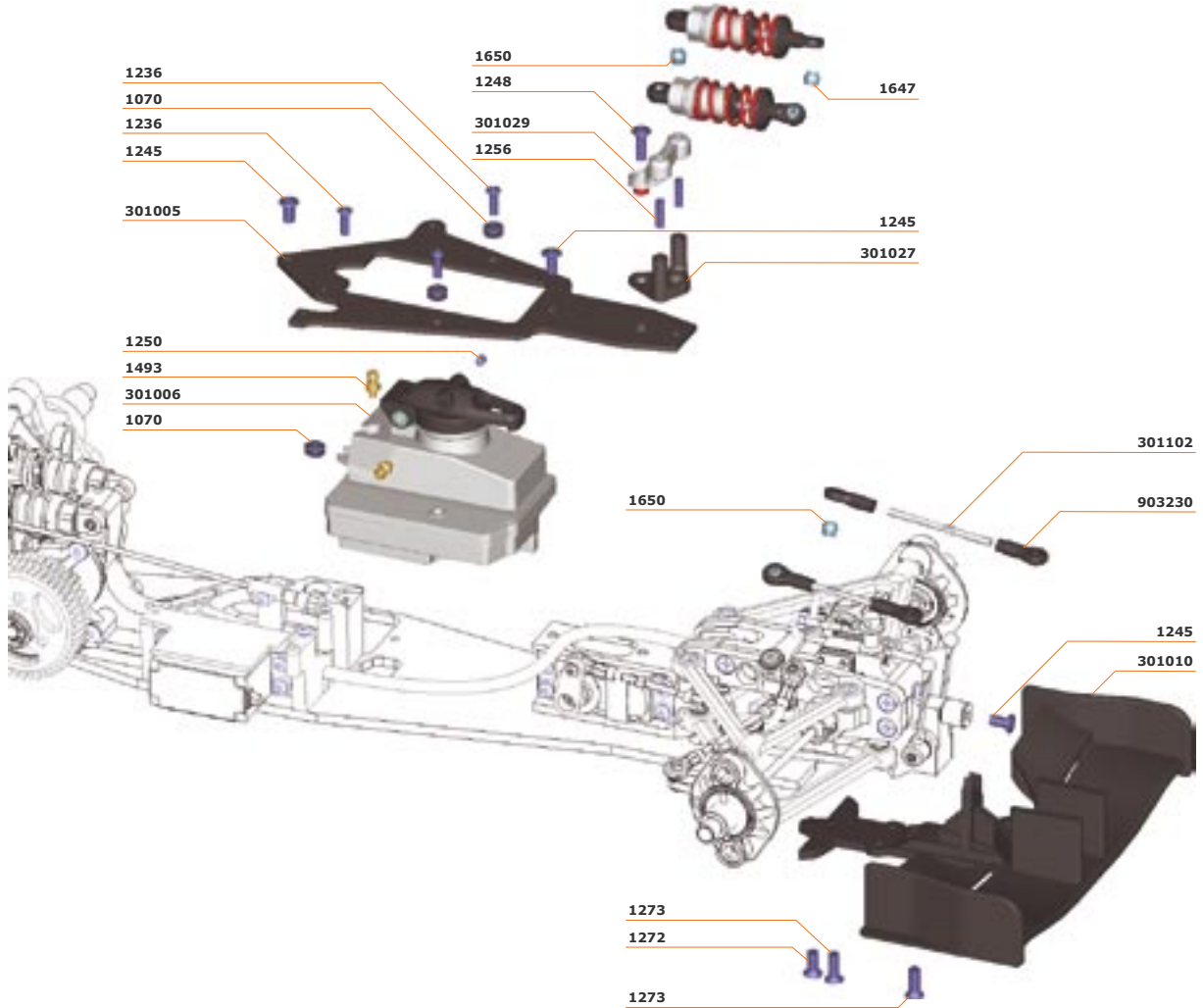
# GEARBOX ASSEMBLY

2 Speed gearbox LC (no shaft incl.) - #902410

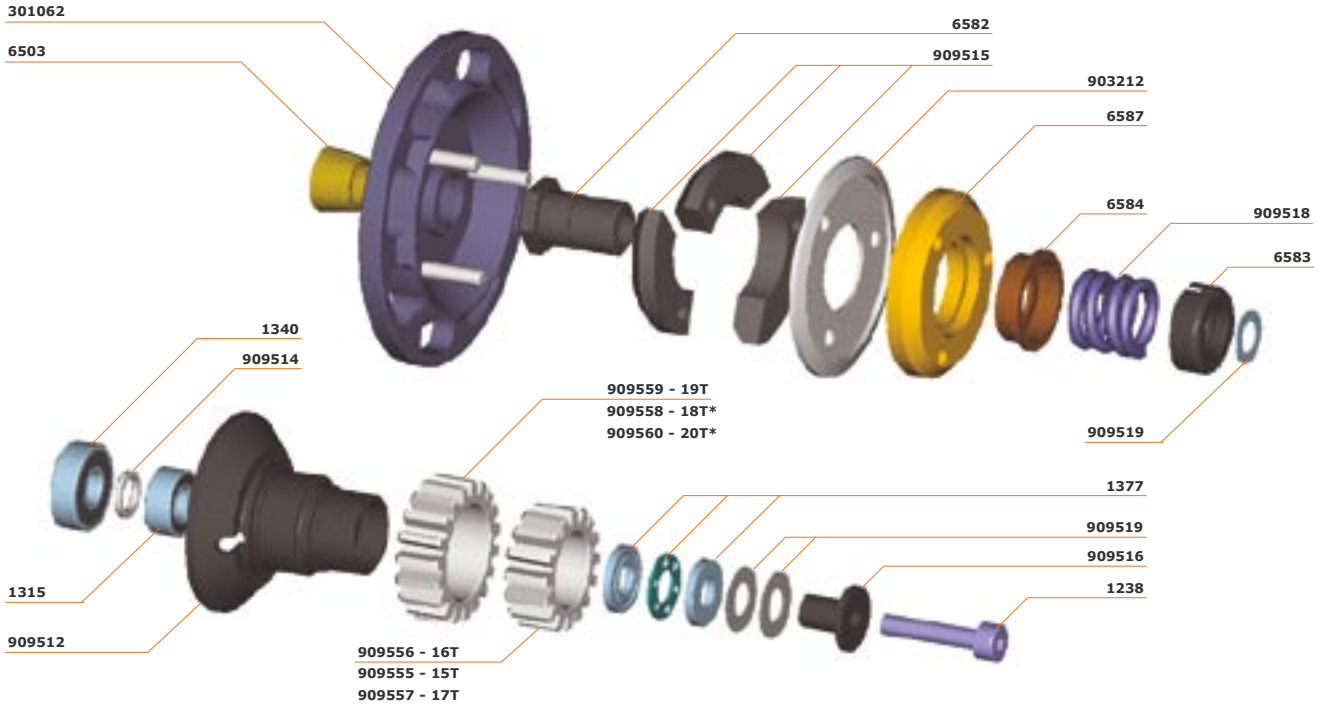


Mounting fasteners  
#1111 - Pin NRA 3x13.8 P13  
#1205 - E-clip 5.0 R5

# RADIO PLATE MOUNTING



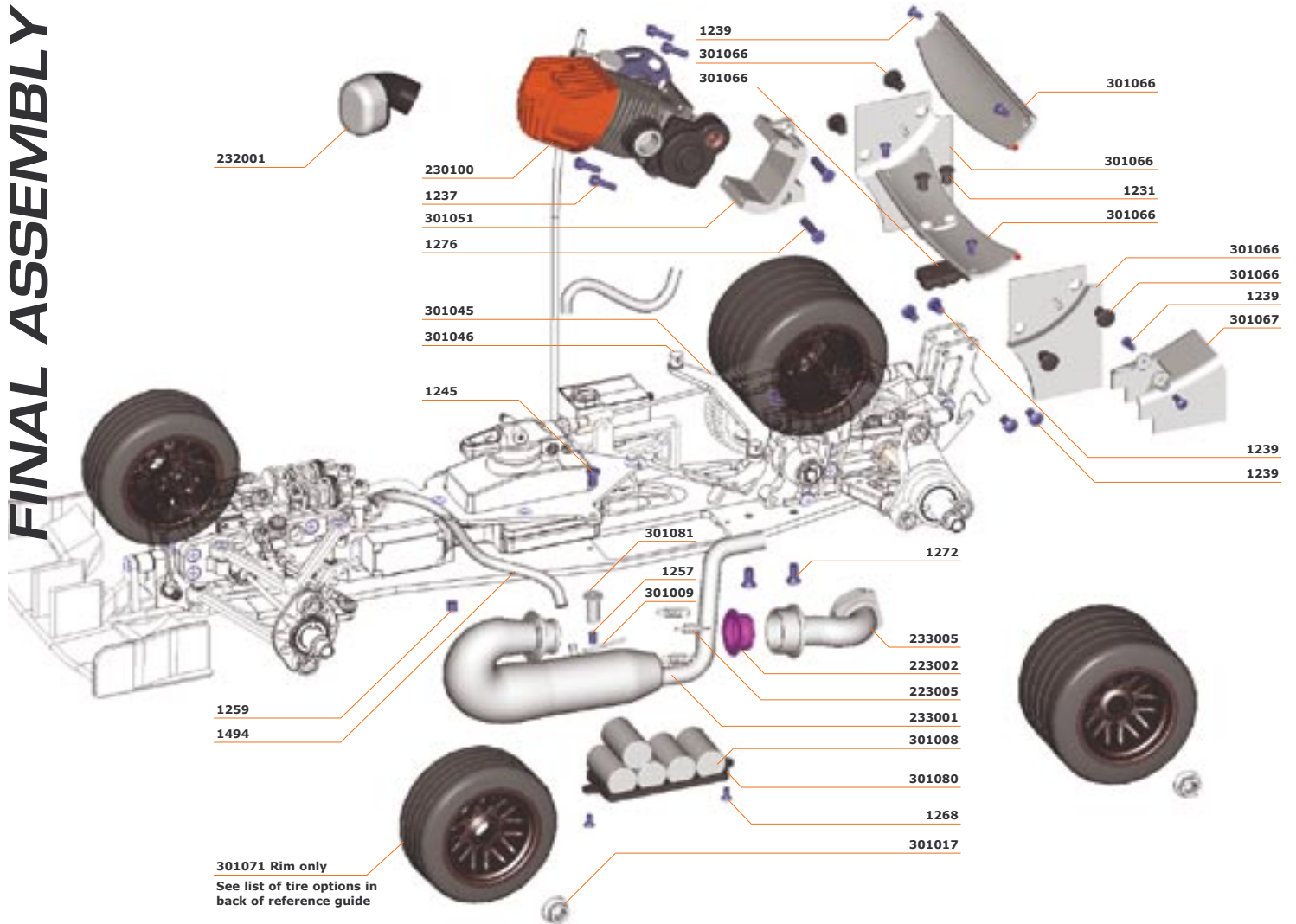
# CENTAX ASSEMBLY



#909510 - Centax-II clutch set (no flywheel incl.)

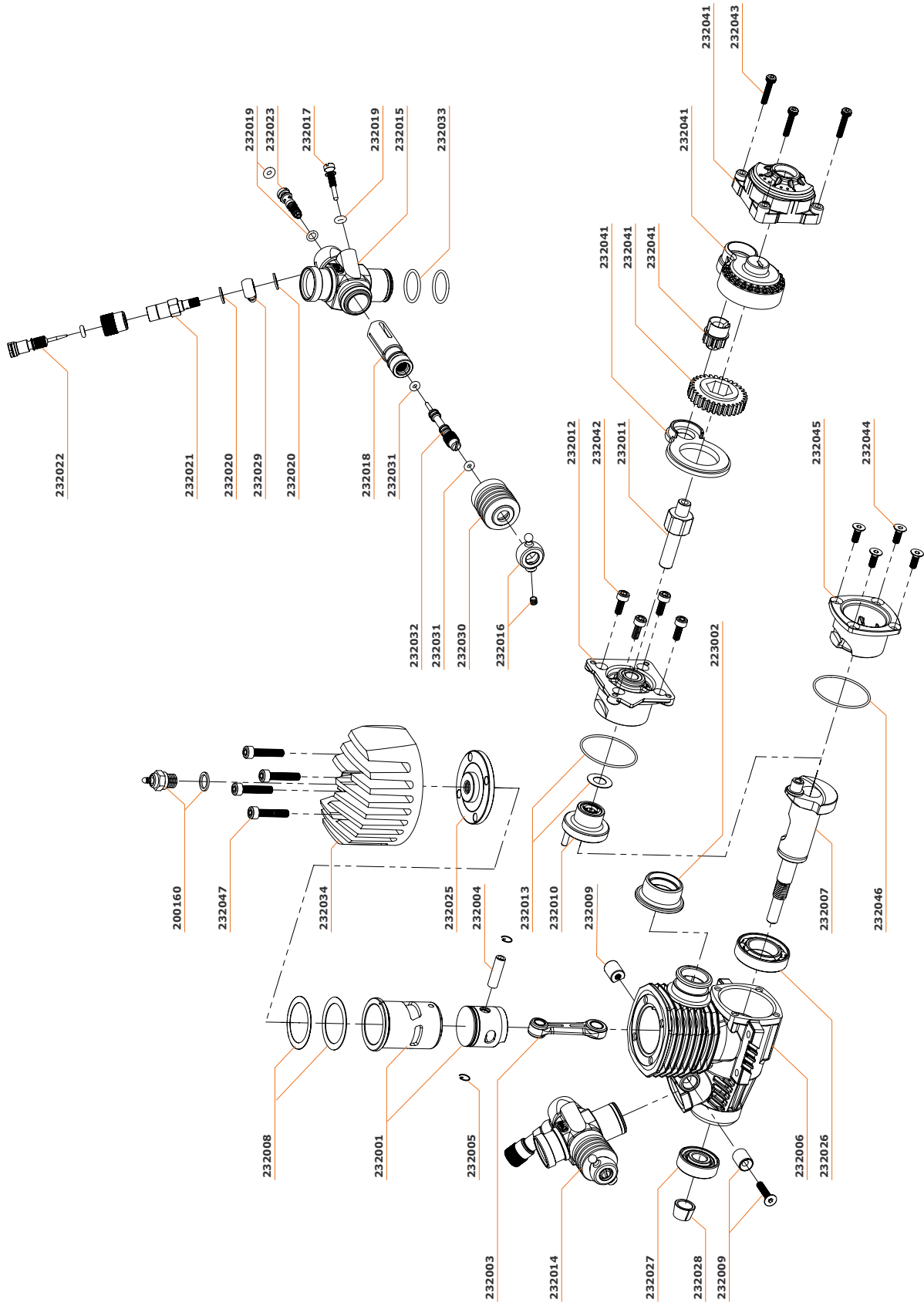
\* Optional

# FINAL ASSEMBLY





# FT-28 ENGINE EXPLODED VIEW



#232041 - Complete Rotostart end plate

# PARTS LIST SERPENT F180

## MANUALS / DECALS

- 301001 Manual / setup F180
- 301002 Reference guide F180
- 301003 Decal-sheet F180

## CENTRAL PARTS

- 1070 Grommets rubber soft (4)
- 1493 Pressure nipple (4)
- 301004 Chassis plate 7075 T6
- 301005 Top deck carbon
- 301006 Fuel tank 125cc
- 301007 Central bracket alu
- 301008 Battery-pack
- 301009 Pipe-mount wire
- 301047 Brake-lever
- 301077 Throttle servo lever 23T/24T/25T
- 301078 Wire-adaptor alu / nut
- 301080 Battery-case
- 301081 Pipe-mount aluminium
- 301082 Throttle receiver mount
- 301103 Brake cable holder
- 903135 Servo mounting spacer

## FRONT PARTS

- 1092 Washer for wheel axle
- 1107 Wheel axle pin (2)
- 1107 Brake pin 2.5x22 (2)
- 1637 Universal adjustable brake-linkage set
- 1650 Pivot ball (4)
- 9611 Brake-disk
- 301010 Front wing nylon black
- 301011 Damper-rubber front wing
- 301012 Font suspension-set nylon
- 301013 Front wishbones (2+2)
- 301014 Steering-block L+R
- 301015 Driveshaft front (2)
- 301016 Wheel-axle FR (2)
- 301017 Wheel-nut / o-ring
- 301018 Drive-cups front (2)
- 903109 Central front bracket alu
- 301020 Bracket alu left
- 301021 Bracket alu right
- 301022 Anti-roll bar shaft front
- 301023 Anti-roll bar adaptors alu (2)
- 301024 Push-rod rocker (2)
- 301025 Pushrod shafts (2)
- 301026 Rod steel M3x60 (2)
- 301027 Shock-support nylon front
- 301028 Steering-servo lever 23T/24T/25T
- 301029 Shock bracket alu FR
- 301030 Brake cup FR steel (2)
- 301031 Brake activator
- 301032 Brake-driver with steel pins
- 301033 Brake-wire assembly
- 301034 Brake spring + screw
- 301079 Suspension pivot balls steel (4)
- 301098 Body-post front alu
- 301099 Bushing rocker (2)
- 301101 Brake pin 3x10 (4)
- 301102 Rod steel M3x44 (2)
- 301103 Brake-cable adaptor alu
- 802403 Spring 2-speed soft (2)
- 803198 Adjusting nut M10 nylon (10)
- 808346 Pivot ball-threaded 8.5mm
- 901235 Rod steel M3x48 (2)
- 901355 Brake-pads
- 901356 Brake-plate
- 902128 Track rod steering lever 65mm
- 902133 Servo-saver shaft inner
- 902134 Servo-saver shaft outer
- 902135 Servo-saver pre-tension nut
- 902136 Servo-saver spring 2.1 silver
- 902137 Servo saver spring 2.0 gold
- 902138 Rod steel M3x23 (2)
- 902139 Servo saver spring 2.2 black
- 903211 Servo-saver nylon parts
- 903230 Ball joints-set (20)
- 909224 Shim 12x18x0.3mm (2)
- 909336 Anti-roll bar blades (2)

## REAR PARTS

- 1092 Washer wheel axle 12x15x0.3
- 1107 Steel pins 2.5x22mm
- 1237 Engine-mount screws upper
- 1650 Balls 5.8mm / setscrews hex (4)
- 6571 Engine-mount screws lower

- 9611 Brake-disk
- 9612 Cooling-disk alu
- 301017 Wheel-nut / o-ring
- 301024 Pushrod rocker alu (2)
- 301025 Shaft pushrod (2)
- 301035 Central rear bracket
- 301036 Bracket rear left and right
- 301037 Suspension bracket rear left / right
- 301038 Back plate nylon
- 301039 Rear suspension-set
- 301040 Wishbone rear (2+2)
- 301041 Pivot pins upper (4)
- 301042 Wheel axle rear (2)
- 301045 Body-support bracket rear carbon
- 301046 Body-post rear alu (2)
- 301047 Brake-lever
- 301048 Carbon brake pad support plate
- 301049 Brake-eccenter
- 301050 Brake shaft
- 301051 Engine mount mono block alu
- 301052 Pulley brake adaptor alu + setscrew
- 301053 Pulley 22T
- 301054 2-speed lay shaft
- 301099 Bushing rocker (2)
- 301100 Shim 4x7x0.5 (4)
- 808346 Pivot balls 8,5mm
- 901355 Brake pad
- 901356 Brake plate
- 902138 Pushrod shafts 44mm(2)
- 902308 Pivot pins lower (2)
- 903125 Up right
- 903126 Bushing alu (2)
- 903156 Driveshaft rear (2)
- 903198 Adjusting nut M10 nylon (10)
- 903230 Ball-joint frame
- 909373 Belt rear 9mm

## RCC SHOCK ABSORBERS

- 903164 Shock-set RCC short (2)
- 903166 Piston rod short (2)
- 903168 Nylon parts frame shocks
- 903169 Insert shock (2)
- 903171 O-ring 10x1 (4)
- 903175 Foam insert (4)
- 903177 Nut shock alu (2)
- 903178 Body alu shock short (2)
- 903186 Clip / shim set RCC shocks 4+4+4
- 903200 O-ring 3.3x1.5 rcc shocks (10)
- 909405 Shock adj nut alu + o-ring (4)

## SHOCK SPRINGS

- 301055 Spring-set D=1.5 L=22.7 orange (4)
- 301056 Spring-set D=1.5 L=22.7 white (4)
- 301057 Spring-set D=1.6 L=22.7 yellow (4)
- 301058 Spring-set D=1.7 L=22.7 red (4)
- 301059 Spring-set D=1.8 L=22.7 blue (4)
- 301060 Spring-set D=1.9 L=22.7 purple (4)
- 301061 Spring-set D=2.0 L=22.7 grey (4)

## CENTAX CLUTCH

- 6503 Cone flywheel 7mm long (3)
- 6582 Centax clutch nut
- 6583 Centax pre-load adjusting nut
- 6584 Centax spring cup
- 6587 Centax Clutch shoe
- 301062 Centax Flywheel F180
- 903212 Centax thrust washer
- 909510 Centax II clutch-set (no flywheel)
- 909512 Centax II clutch-housing universal
- 909514 Centax II bearing spacer 5x7
- 909515 Centax II centrifugal shoes (3)
- 909516 Centax II spacer thrust bearing
- 909518 Centax II coil spring 1.8
- 909519 Centax II shims 5X10X0.1(2)+0.3 (1)
- 909520 Centax II coil spring 1.8 long
- 909555 Centax gear-pinion 15T
- 909556 Centax gear-pinion 16T
- 909557 Centax gear-pinion 17T
- 909558 Centax gear-pinion 18T
- 909559 Centax gear-pinion 19T
- 909560 Centax gear-pinion 20T

## 2-SPEED TRANSMISSION

- 1111 Needle 3x13.8 (4)
- 1115 Needle steel 5X5 (2)
- 902410 Gearbox 2-speed lc (no shaft incl)

- 902411 Drive-flange alu with OWB LC
- 902412 Adaptor 2-speed LC
- 902413 Clutch bell alu LC
- 902416 2-speed shoe-set LC II
- 902444 2nd speed gear 44T
- 902445 2nd speed gear 45T
- 902446 2nd speed gear 46T
- 902447 1st speed gear 47T
- 902448 1st speed gear 48T
- 902449 1st speed gear 49T

## GEAR-DIFFERENTIAL REAR 50T

- 301063 Gear-differential rear 50T
- 301064 Gear diff case / pulley L+R
- 301065 Out drives Gear diff (2)
- 802605 Steel internal gears - shafts
- 802608 O-rings + washers Gear diff

## WING REAR SET

- 301066 Wing rear nylon parts
- 301067 Diffuser nylon
- 301068 Bracket rear wing alu (2)
- 301069 Screws wing mounting

## BODY-SET F180

- 301070 Body F180 + driver

## TYRES / WHEELS

- 301071 Wheel front black (2)
- 301072 Wheel rear black (2)
- 301073 Wheel front white (2)
- 301074 Wheel rear white (2)
- 301075 Wheel front grey (2)
- 301076 Wheel rear grey (2)
- 301901 Tyre front grooved FC1 (2)
- 301902 Tyre front grooved FC2 (2)
- 301903 Tyre front grooved FC3 (2)
- 301904 Tyre front grooved FC4 (2)
- 301905 Tyre front grooved FC5 (2)
- 301906 Tyre rear grooved RC3 (2)
- 301907 Tyre rear grooved RC4 (2)
- 301908 Tyre rear grooved RC3 (2)
- 301909 Tyre rear grooved RC4 (2)
- 301910 Tyre rear grooved RC5 (2)
- 301951 Inlay front foam FF1 (2)
- 301952 Inlay front foam FF2 (2)
- 301953 Inlay front foam FF3 (2)
- 301954 Inlay front foam FF4 (2)
- 301955 Inlay front foam FF5 (2)
- 301956 Inlay rear foam RF1 (2)
- 301957 Inlay rear foam RF2 (2)
- 301958 Inlay rear foam RF3 (2)
- 301959 Inlay rear foam RF4 (2)
- 301960 Inlay rear foam RF5 (2)

## BEARINGS

- 1312 Ball bearing 5x8 flanged
- 1315 Ball bearing 5x10x3 (2)
- 1320 Ball bearing 6x10 flanged (2)
- 1321 Ball bearing 6x10x3 (2)
- 1326 Ball bearing 7x14
- 1337 Ball bearing 15x21x4 (2)
- 1338 Ball bearing 6x10x3 (2)
- 1342 Ball bearing 6x13 HS (2)
- 1344 Ball bearing 10x15x4 HS (2)
- 1346 Ball bearing 12x18 HS (2)
- 1347 Ball bearing 12x21 HS (2)
- 1348 Ball bearing 15x24 HS (2)
- 1373 Thrust-bearing 6x14
- 1377 Thrust-bearing 5x10 Centax II
- 1381 Ball bearing 6x10 FL HS Cera (2)
- 1382 Ball bearing 6x13 HS Cera (2)
- 1384 Ball bearing 10x15x4 HS Cera (2)
- 1386 Ball bearing 12x18 HS Cera (2)
- 1337 Ball bearing 15x21x4 HS (2)
- 1338 Ball bearing 5x8x2 HS (2)
- 1339 Ball bearing 6x15x5 HS (2)
- 1388 Thrust-bearing 5X10 ceramic

## OPTIONALS

- 1380 Ball bearing 5x13 HS Cera (2)
- 1381 Ball bearing 6x10 FL HS Cera (2)
- 1382 Ball bearing 6x13 HS Cera (2)
- 1383 Ball bearing 6x15 HS Cera (2)
- 1384 Ball bearing 10x15x4 HS Cera (2)
- 1386 Ball bearing 12x18 HS Cera (2)

1387 Ball bearing 12x21 HS Cera (2)  
 1388 Thrust-bearing 5x10 Cera  
 1392 Ball bearing 15x24 hs Cera (2)  
 1434 Pressure nipple angled  
 6587N Centax clutch shoe brown  
 6587XP Centax clutch shoe XP  
 9606 Brake disk steel ventilated (2)  
 9607 Race brake-padset L+R  
 301092 Wing set white rear  
 301094 Wing set white front  
 301097 Wheel nut Black (4)  
 801219 Pivot ball 8.5mm threaded alu  
 902129 Turnbuckle 65mm titanium (2)  
 903199 Centax flyweight Pro  
 903209 Brake-liner teflon SPP (4)  
 903226 Shock-rod short Ti-Ni coated (2)  
 909513 Centax II clutch-housing universal Pro

#### MERCHANDISING

1865 Lanyard Serpent grey-silver  
 1866 Decal-sheet Serpent promotional A4  
 1912 Serpent jacket (check website)  
 1934 Serpent T-shirt (check website)  
 1936 Serpent sweater (check website)  
 1980 Kit-bag Serpent black large  
 1981 Kit-bag Serpent black small  
 1998 Serpent Team cap black Deluxe  
 301083 F180 dress-shirt (S)  
 301084 F180 dress-shirt (M)  
 301085 F180 dress-shirt (L)  
 301086 F180 dress-shirt (XL)  
 301087 F180 dress-shirt (XXL)  
 301088 F180 cap  
 301089 F180 lanyard  
 301090 F180 pit-trolley-bag

#### ACCESSORIES

1494 Silicone tubing 2x5x50 white  
 1521 Silicone tubing 2x5x50 purple  
 1522 Silicone tubing 2x5x50 smoke  
 1523 Silicone tubing 2x5x50 orange  
 1604 Antenna tubes pink (2)  
 1605 Antenna tubes green (2)  
 1606 Antenna tubes black (2)  
 1607 Antenna tubes blue (2)  
 1608 Antenna tubes orange (2)  
 1609 Antenna tubes purple (2)  
 1667 Body clip medium (10)  
 1670 Silicone oil 20W  
 1671 Silicone oil 30W  
 1672 Silicone oil 40W  
 1673 Silicone oil 50W  
 1674 Silicone oil 25W  
 1675 Silicone oil 35W  
 1676 Silicone oil 45W  
 1680 One-way lube bearing oil 25ml  
 1682 Bearing oil 25 ml  
 1683 Premium Lube 25ml  
 1690 Cleaning gum  
 160001 Silicone diff oil 1.000cst 50ml  
 160003 Silicone diff oil 3.000cst 50ml  
 160005 Silicone diff oil 5.000cst 50ml  
 160007 Silicone diff oil 7.000cst 50ml  
 160010 Silicone diff oil 10.000cst 50ml  
 160020 Silicone diff oil 20.000cst 50ml  
 160030 Silicone diff oil 30.000cst 50ml  
 160040 Silicone diff oil 40.000cst 50ml  
 160050 Silicone diff oil 50.000cst 50ml  
 160060 Silicone diff oil 60.000cst 50ml

#### TOOLS

1460 Camber gauge  
 1462 Tool pressure nipple / Centax nut  
 802514 Centax-3 clutch housing holder  
 903202 Tool RCC shocks  
 909597 Centax clutch gap tool alu

#### STARTER BOX

1395 Glow driver with battery and charge cable  
 1429 Cable-set 12V for Powerstart  
 140000 Powerstart CPS starter box black

#### FASTENERS

1018 Screw-flanged M4x14 hex (4)  
 1019 Screw-flanged M4x25 hex (4)  
 1070 Grommets rubber soft (4)  
 1070 Grommets rubber soft (4)  
 1101 Pin NRA 2.5x11.8 (4)  
 1102 Pin NRB 2.5x11.8 (4)  
 1103 Pin NRA 2.5x13.8 (4)  
 1104 Pin NRB 2.5x15.8 (4)  
 1105 Pin NRA 2.5x17.8 (4)  
 1106 Pin NRA 2.5x19.8 (4)  
 1107 Pin NRA 2.5x21.8 (4)

1108 Pin NRA 2x13.8 (4)  
 1109 Pin NRA 2x9.8 (4)  
 1110 Pin NRA 3x11.8 (4)  
 1111 Pin NRA 3x13.8 (4)  
 1112 Pin NRA 3x19.8 (4)  
 1113 Pin NRA 3x9.8 (4)  
 1114 Pin NRA 3x15.8 (4)  
 1115 Pin NRA 5x5 (4)  
 1201 E-clip 1,9 (10)  
 1202 E-clip 2,3 (10)  
 1203 E-clip 3,2 (10)  
 1204 E-clip 4,0 (10)  
 1205 E-clip 5,0 (10)  
 1207 E-clip 7,0 (10)  
 1208 C-clip 10X1 (10)  
 1209 G-clip 14X1 (10)  
 1210 Seger clip 16x1 (10)  
 1212 Screw RH PH 2.9X9.5 (10)  
 1213 Screw RH PH 2.9X13 (10)  
 1214 Screw RH PH 2.9X16 (10)  
 1215 Screw RH PH 2.9X19 (10)  
 1216 Screw RH PH 2.9X25 (10)  
 1217 Screw RH PH 3.5X9.5 (10)  
 1218 Screw RH PH 3.5X13 (10)  
 1219 Screw RH PH 3.5X16 (10)  
 1220 Screw RH PH 3.5X19 (10)  
 1222 Screw RH M4X20 (10)  
 1225 Screw RH M2X6 (10)  
 1226 Screw RH M2X6 (10)  
 1227 Screw RH PH M3X8 (10)  
 1228 Screw RH PH M3X12 (10)  
 1229 Screw CSH PH M3x10 (10)  
 1230 Screw RH Allen M4x20 (10)  
 1231 Screw CSH PH M5x10 (10)  
 1232 Screw RH Allen M3x18 (10)  
 1233 Screw CH Allen M3X20 (10)  
 1234 Screw RH Allen M3X20 (10)  
 1235 Screw CH Allen M3X6 (10)  
 1236 Screw CH Allen M3X10 (10)  
 1237 Screw CH Allen M3X12 (10)  
 1238 Screw CH Allen M3X16 (10)  
 1239 Screw RH Allen M3X8 (10)  
 1240 Screw RH Allen M3X8 (10)  
 1241 Screw RH Allen M3X12 (10)  
 1242 Screw RH Allen M3X14 (10)  
 1243 Screw RH Allen M3X16 (10)  
 1244 Screw RH Allen M4X6 (10)  
 1245 Screw RH Allen M4X8 (10)  
 1246 Screw RH Allen M4X16 (10)  
 1247 Screw RH Allen M3x10 (10)  
 1248 Screw RH Allen M4x12 (10)  
 1249 Grub screw 3x3 (10)  
 1250 Grub screw M3X4 (10)  
 1251 Grub screw M3X6 (10)  
 1252 Grub screw M4X10 (10)  
 1253 Grub screw M3x8 (10)  
 1255 Grub screw M3X10 (10)  
 1256 Grub screw M3X12 (10)  
 1257 Grub screw M4X4 (10)  
 1258 Grub screw M4X6 (10)  
 1259 Grub screw M5X5 (10)  
 1260 Grub screw M5X6 (10)  
 1261 Grub screw M4X10 (10)  
 1267 Screw CSH Allen M3x10 (10)  
 1268 Screw CSH PH M3X6 (10)  
 1269 Screw CSH PH M3X16 (10)  
 1270 Screw CSH PH M3X8 (10)  
 1271 Screw CSH PH M4X8 (10)  
 1272 Screw CSH PH M4X10 (10)  
 1273 Screw CSH PH M4X12 (10)  
 1274 Screw CSH PH M4X16 (10)  
 1275 Screw CSH PH M5X12 (10)  
 1276 Screw CSH PH M4x20 (10)  
 1277 Screw CSH ph M3.5x8 (10)  
 1278 Screw CSH Allen M4X20 (10)  
 1279 Screw CSH Allen M4X25 (10)  
 1280 Screw CSH PH 2.2X6.5 (10)  
 1281 Screw CSH PH 2.9X9.5 (10)  
 1282 Screw CSH PH 3.5X9.5 (10)  
 1283 Screw CSH PH 3.5X13 (10)  
 1284 Screw CSH PH 3,5X16 (10)  
 1285 Screw CSH PH 4,2X13 (10)  
 1286 Screw CSH PH 2.9x19 (10)  
 1287 Screw CSH PH 2.9x6.5 (10)  
 1288 Screw CSH PH 2.9x9.5 (10)  
 1290 Washer 3.2X7 (10)  
 1291 Washer 2.5X6 (10)  
 1292 Spring washer 6,2X14X0.9  
 1293 Spring washer 7,2X14X0.8  
 1295 Lock washer 3.2x8 (10)  
 1297 Nut nylock M3 (10)  
 1298 Nut nylock M4 (10)

#### ENGINE

230100 Mega FT-28 with rotostart system (F180)

#### SPARE PARTS MEGA FT-28

200160 Glowplug  
 232001 T-28 cylinder / piston set  
 232002 T-28 cylinder / piston / connecting rod set  
 232003 T-28 connecting rod  
 232004 T-28 piston pin / retainer set  
 232005 T-28 retainer for piston pin (3pcs)  
 232006 T-28 crankcase  
 232007 T-28 crankshaft  
 232008 T-28 gasket set for cylinder (.15/.3mm)  
 232009 T-28 lock pin for carburetor  
 232010 T-28 pull start shaft holder assembled  
 232011 T-28 start-shaft  
 232012 T-28 cover plate-set  
 232013 T-28 dust protection & o-ring set  
 232014 T-28 slide carburetor complete  
 232015 T-28 slide carburetor main body  
 232016 T-28 uniball  
 232017 T-28 idle screw  
 232018 T-28 high-speed valve  
 232019 T-28 o-ring 2x1.7mm (3pcs)  
 232020 T-28 fuel line fitting/washer set  
 232021 T-28 high-speed needle valve  
 232022 T-28 high speed needle with 0-ring  
 232023 T-28 mid range needle valve with 0-ring  
 232024 T-28 high-speed needle valve set  
 232025 T-28 combustion chamber  
 232026 T-28 rear bearing (14x25x6mm)  
 232027 T-28 front bearing (7x19x6mm)  
 232028 T-28 brass collet  
 232029 T-28 fuel inlet  
 232030 T-28 carb dust boot  
 232031 T-28 o-ring 2x1.5mm (2pcs)  
 232032 T-28 low speed needle valve  
 232033 T-28 o-ring 11.5x1.25 (2pcs)  
 232034 Cooling head F180 FT orange  
 232035 Cooling head F180 FT grey  
 232036 Cooling head F180 FT black  
 232037 Cooling head F180 ZX grey  
 232038 Cooling head F180 ZX black  
 232039 Cooling head F180 NR-MF grey  
 232040 Cooling head F180 NR-MF black  
 232041 Roto-start unit with gears  
 232042 Roto-start backplate screw (4)  
 232043 Roto-start nylon-cover screw (4)  
 232044 T-28 bumpstart backplate screw (4)  
 232045 T-28 bumpstart backplate  
 232046 T-28 backplate o-ring  
 232047 T-28 head-screw (4)

#### MEGA ENGINE AND PIPE-SET

233000 Pipe-set Inline polished FR 21/28  
 233001 Pipe Inline polished FR 21/28  
 233005 Adaptor Inline polished FR 21/28  
 223003 Exhaust-adaptor spring long M21 (3)  
 223005 Spring inline short (3)  
 223002 Exhaust seal MF 21 (2)

#### MEGA AIR FILTER FOR F180

200300 Air filter oil 50cl  
 232001 Air filter foam with holder



**SERPENT**  
**MOTORSPORT**

Serpent Model Racing Cars BV  
Spaarneweg 12E, 2142 EN, Cruquius  
The Netherlands, Europe