



S411 ERYX 3.0

INSTRUCTION MANUAL  
& REFERENCE GUIDE



## Introduction

Serpent likes to welcome you to the fascinating world of rc car racing. You are now part of the worldwide network of Serpent drivers, which gives you access to superior technical and race support by dedicated Serpent people.

Serpent as a company has been active in racing, developing and manufacturing rc cars since 1979, and has gathered a large following of enthusiastic and dedicated rc car racers around the world.

The Serpent ERYX is developed by an expert team of racers and engineers, to offer you the pinnacle of rc racing car technology.

Continuously pushing the performance envelop, Serpent's engineers have added new and innovative features that help to take your Serpent ERYX 3.0 into the winners circle.

For latest information about the ERYX 411 - 3.0 check on:  
**[www.serpent.com/400016](http://www.serpent.com/400016)**

Enjoy building and racing the Serpent ERYX

*Team Serpent*

## Contents

2	Introduction / contents
3	Safety, Read This First
4	Using the Manual
5	Assembly Instructions
38	Reference guide
39	Exploded views
50	Parts List

## Safety

Read and take note of the 'Read this First section' before proceeding to assemble the car-kit. This car-kit is intended for persons aged 16 or older.

## Customer service

Serpent has made a strong effort to make this manual as complete and clear as possible. Additional info may be published in our website:

[www.serpent.com](http://www.serpent.com) or you may ask your dealer or the Serpent distributor for advice, or email Serpent direct: [info@serpent.com](mailto:info@serpent.com)

The Serpent Facebook, Twitter and Youtube pages give additional means of support and communications.

## Instructions, how to use

The kit includes bags, with bag numbers, which refer to the same step in the manual. Open only the indicated bag(s) per step and finish that part of the assembly. Remaining parts will be needed later on in the assembly process.

## Instructions

Serpent's long tradition of excellence extends to the instruction manuals, and this instruction manual is no exception. The easy-to-follow layout is richly illustrated with 3D-rendered full-color images to make your building experience quick and easy. Following the instructions will result in a well-built, high-performance race-car that will soon be able to unleash its full potential at the racetrack.

## SETUP

In certain assembly steps you need to make basic adjustments, which will give you a good initial setup for your Serpent S411 2.0. Fine-tuning the initial setup is an essential part of building a high-performance racecar like your S411 2.0.

## Exploded views and partslist

The exploded views and parts lists for the Serpent S411 2.0 are presented in the Reference Guide section in the back of this manual.

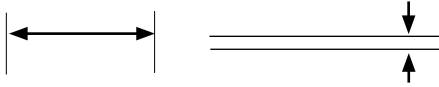
The exploded views show all the parts of a particular assembly step along with the Serpent part number. The parts lists indicate the part number and name of each part for easy reference when ordering.

## Read this first!

- This is a highly technical hobby product, intended to be used in a safe racing environment. This car is capable of speeds in excess of 80 km/h or 50mph. Please follow these guidelines when building and operating this model.
- Parental guidance is required when the builder/user of this car is under 16.
- Follow the building instructions. If in doubt, contact your dealer or importer.
- Be sure to use the proper tools when assembling the car. Always exercise caution when using electric tools, knives and other sharp objects.
- Be careful when using liquids like lubrication oil, fuel or glue. Do not swallow.
- Follow the manufacturer's instruction in case you experience irritation after using the product.
- Be careful when operating the car. Stay away from any rotating parts such as wheels, gears and transmission. Stay away from motor, engine and exhaust pipe system or speedo during and immediately after use, as these parts may be very hot. We advise to use protective hand gloves.
- Only operate this car in a safe environment, like a special racing track or a closed parking lot. Avoid using this car on public roads, crowded places or near infants.
- Before operating this car, always check the mechanical status of the car. Also check that the transmitter and receiver frequencies correspond and are not used by any other racer at the same time. Check that the batteries of the transmitter and receiver- are fully charged.
- After use, always check all the mechanics of the car. We advise to clean the car immediately after use, and inspect the parts for wear or fractures. Replace when necessary. Do not use water, methanol, thinner or other solvents to clean the car.
- Empty the fuel tank (depending on model) if needed and disconnect the receiver battery.
- Store the car in a dry and heated place to avoid corrosion of metal parts.
- Avoid using this car in wet conditions as the water will cause corrosion on the metal parts and bearings and these parts will cease to function properly. If driven in the wet, ensure that all the electric equipment is waterproofed and after use, that all moving parts are dried immediately.

# USING THE MANUAL

①



Step number;  
the order in which you should assemble the indicated parts

Length after assembly / Gap between two items



Assembly path of one item into another



Group of items (within lines) should be assembled first



Direction the item should be moved



Glue one item to another



Press/Insert one item into another



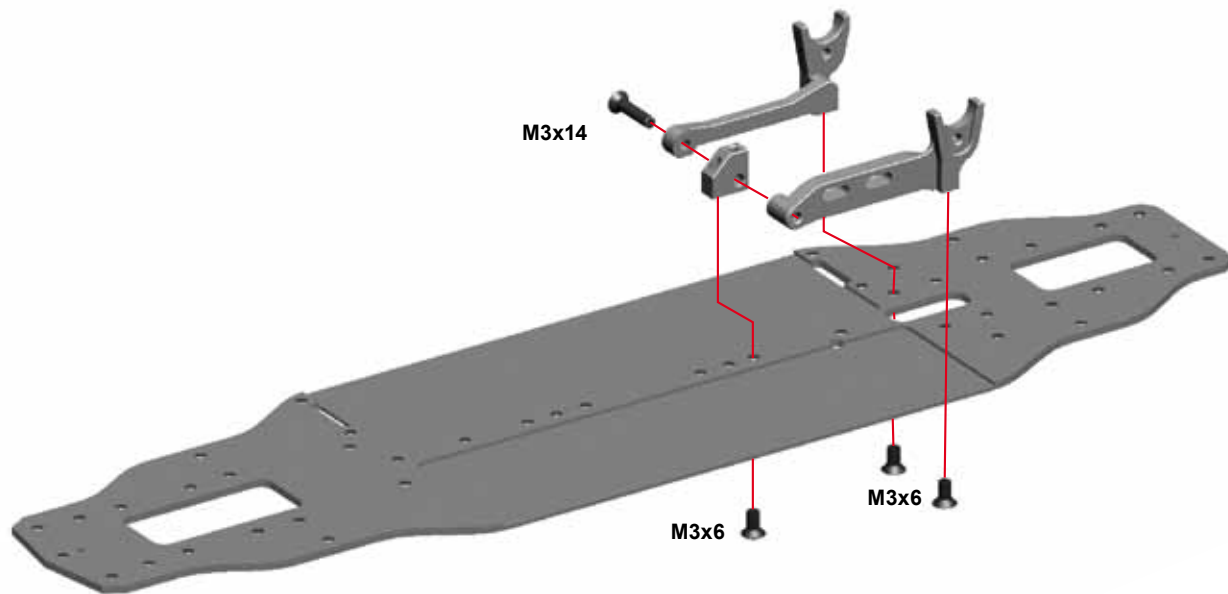
Connect one item to another

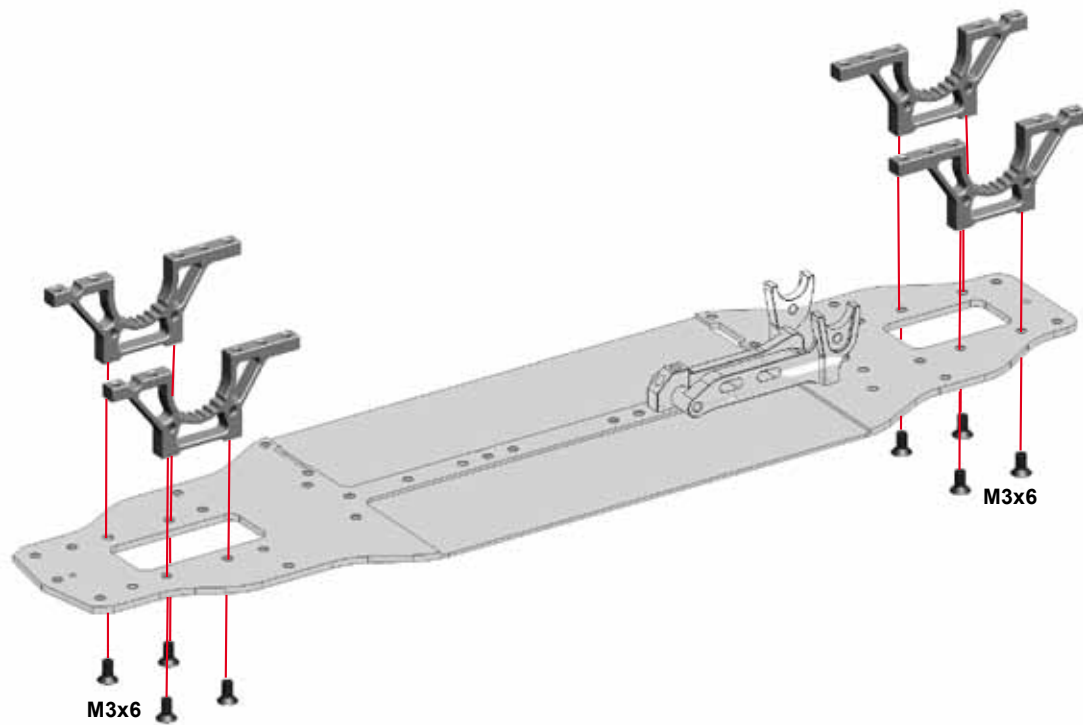


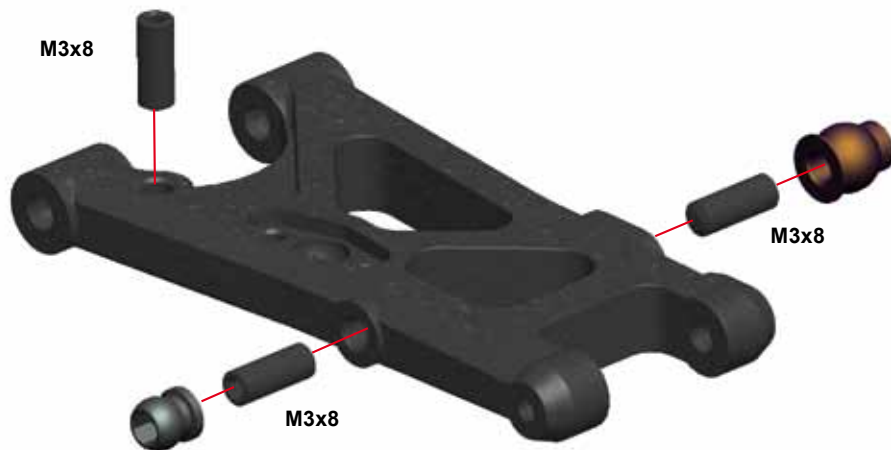
Apply transmission grease\*(Grey), threadlock\* (Blue), CA glue\* (Red)  
or differential oil (Orange), Silicon oil (\*Items not included.)

# ASSEMBLY INSTRUCTIONS

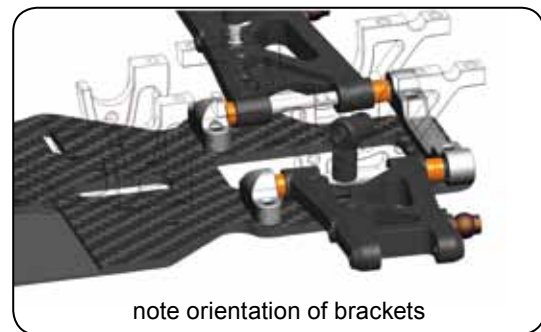
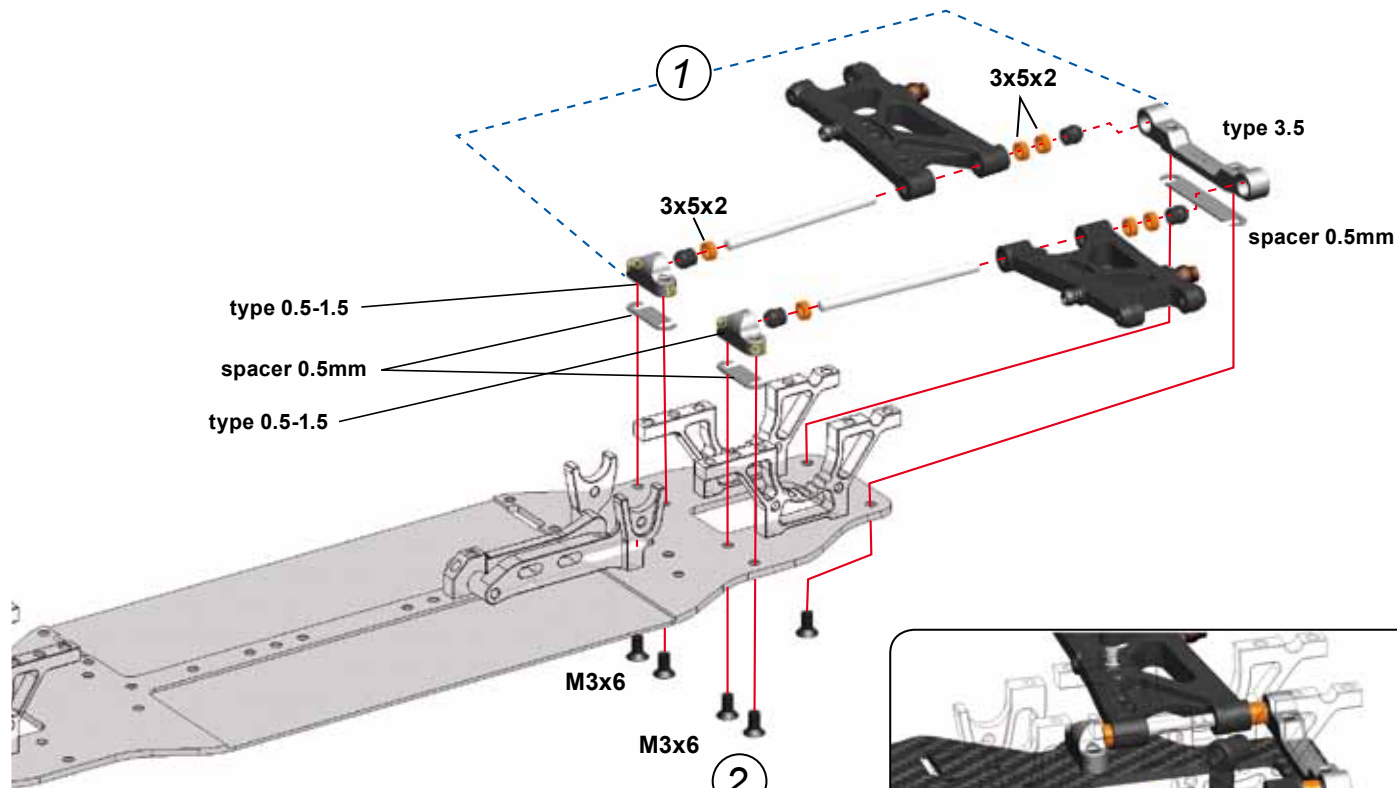
The page features three wavy lines that span the width of the slide. One line is orange and the other two are black. They are positioned below the main title and above the page number.







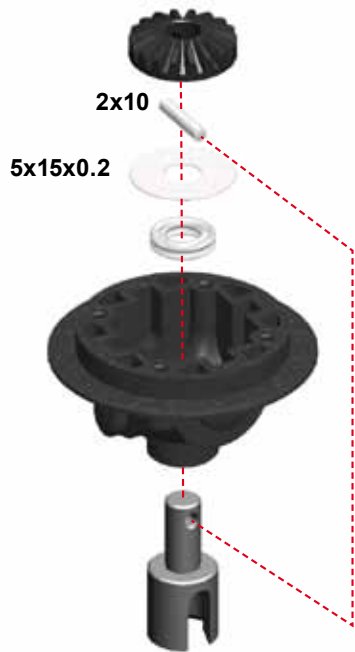




A

5

DIFF  
BAG



A

6

4x10x0.2



A

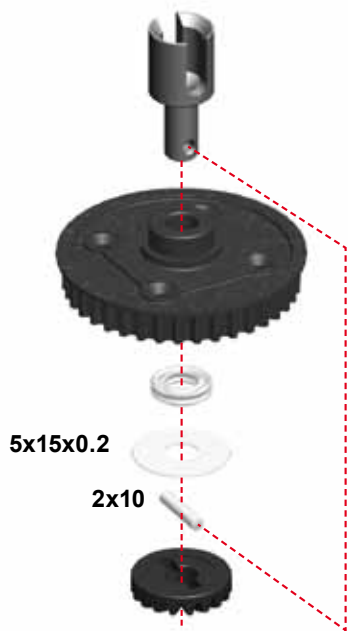
7

Fill up with supplied silicon oil,  
until shaft is just covered



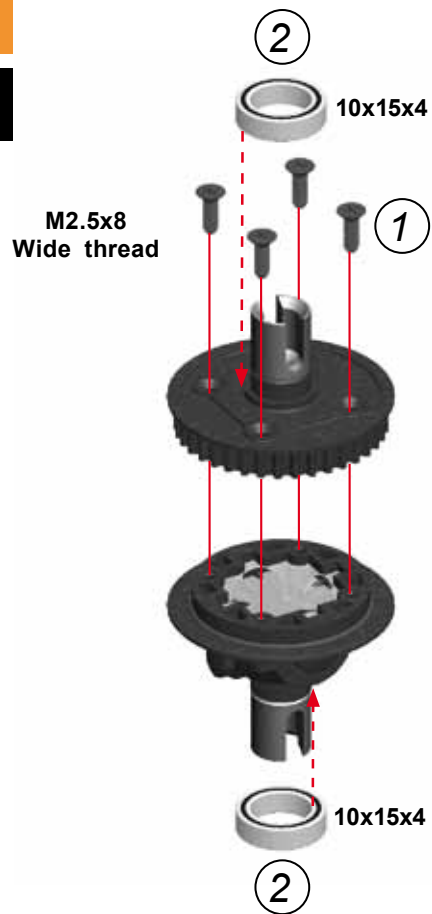
A

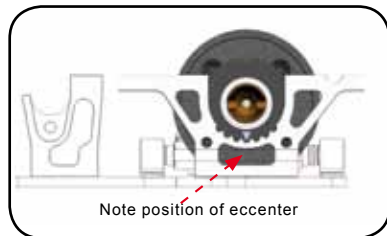
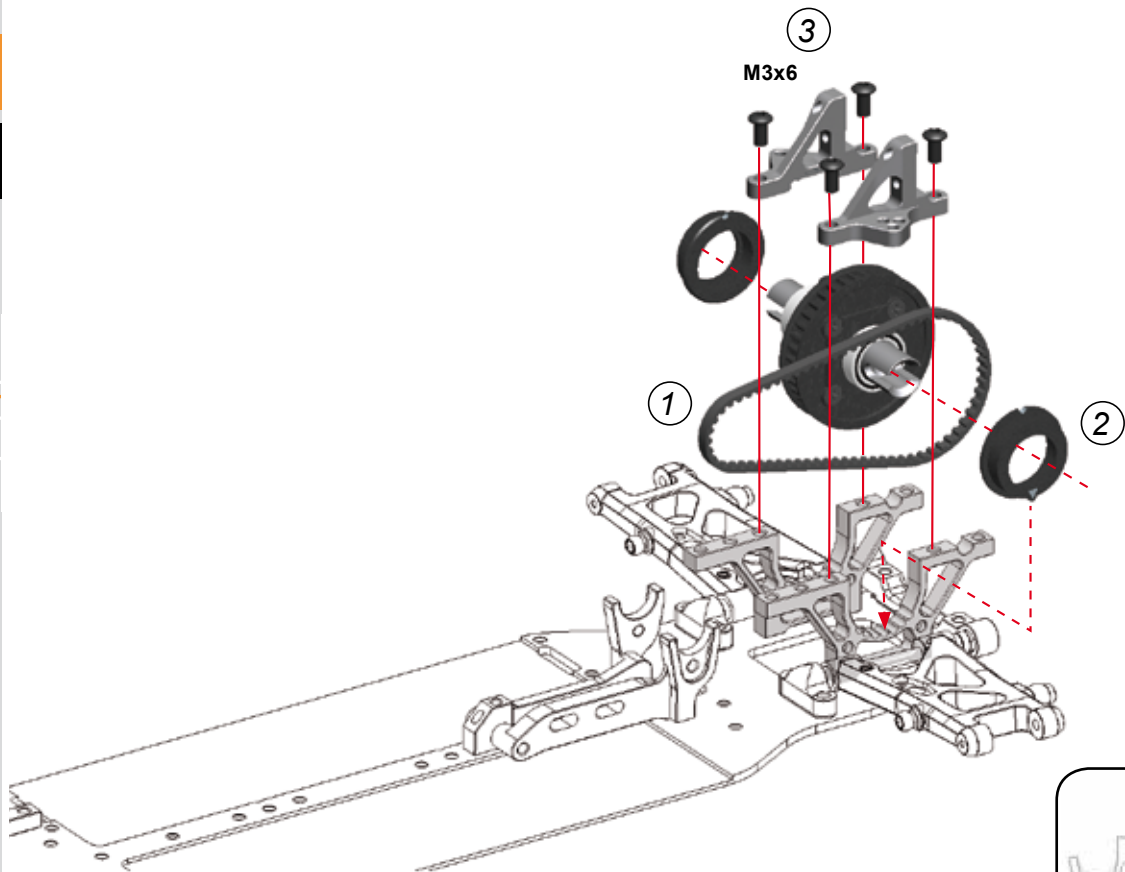
8

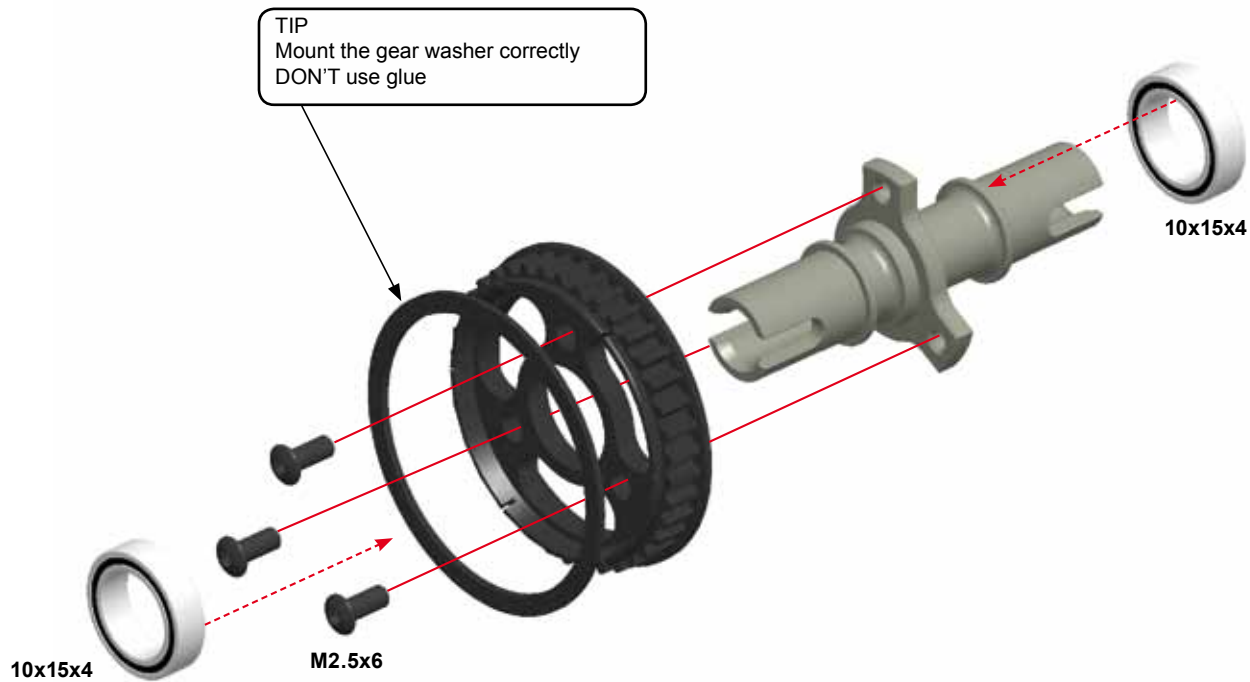


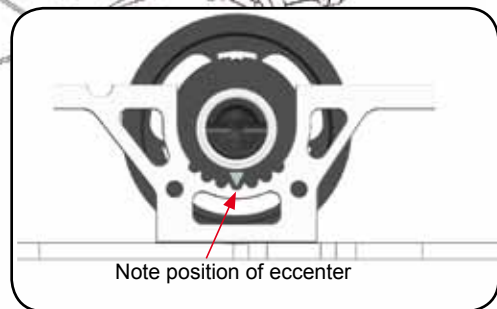
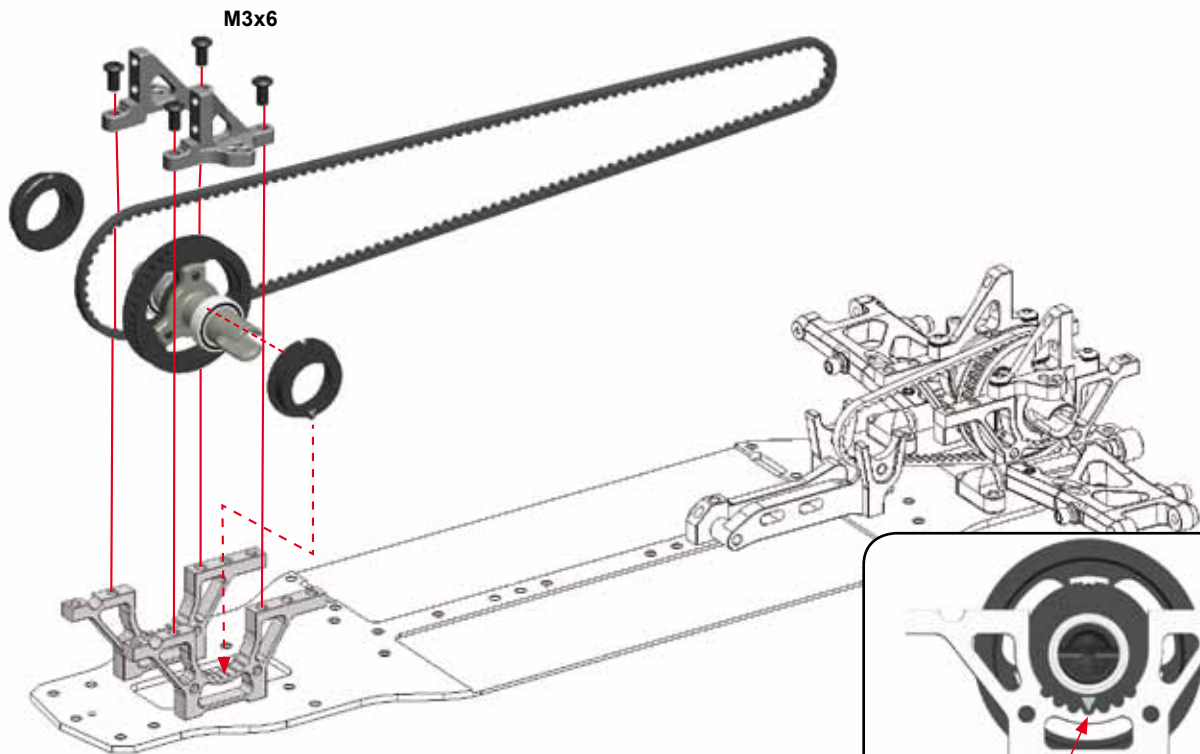
A

9



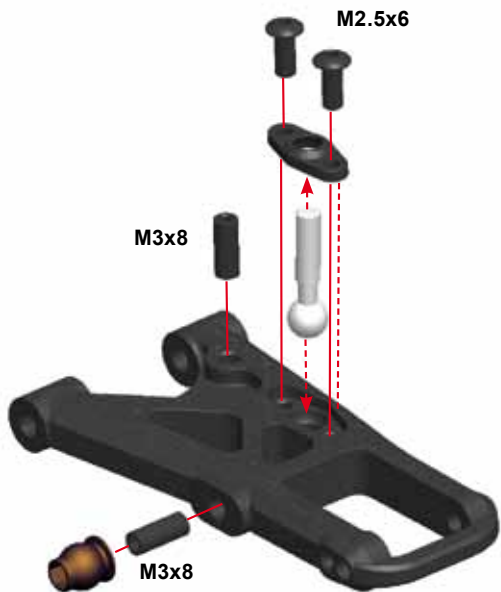






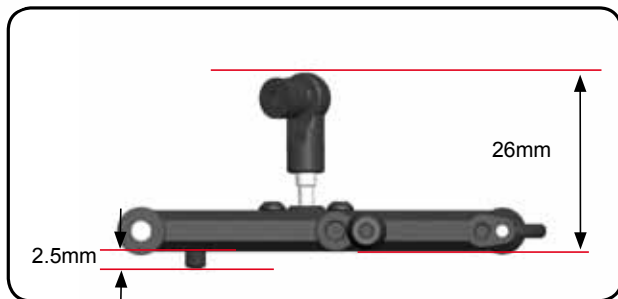
A

13



A

14

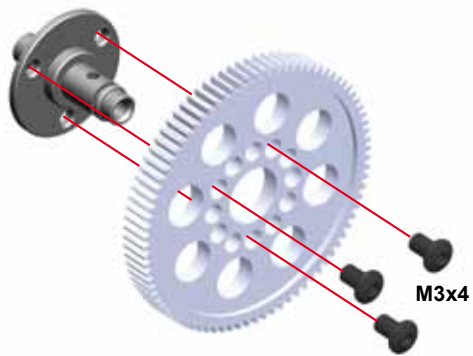






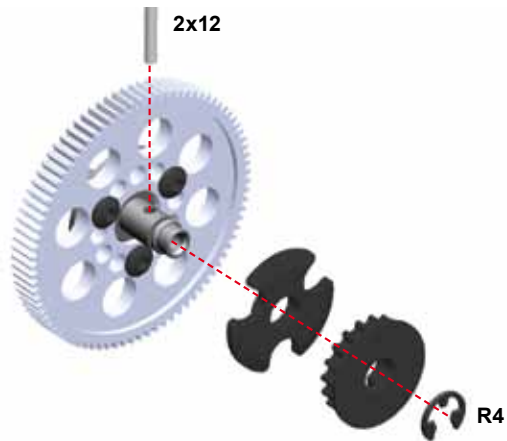
A

16



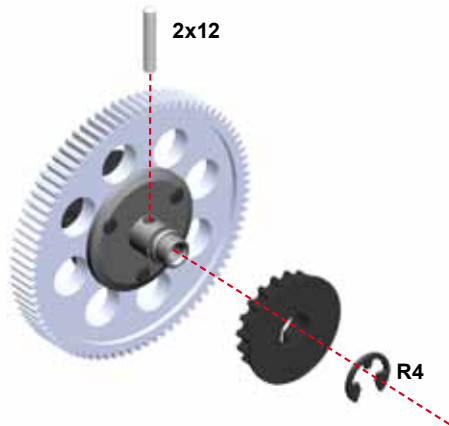
A

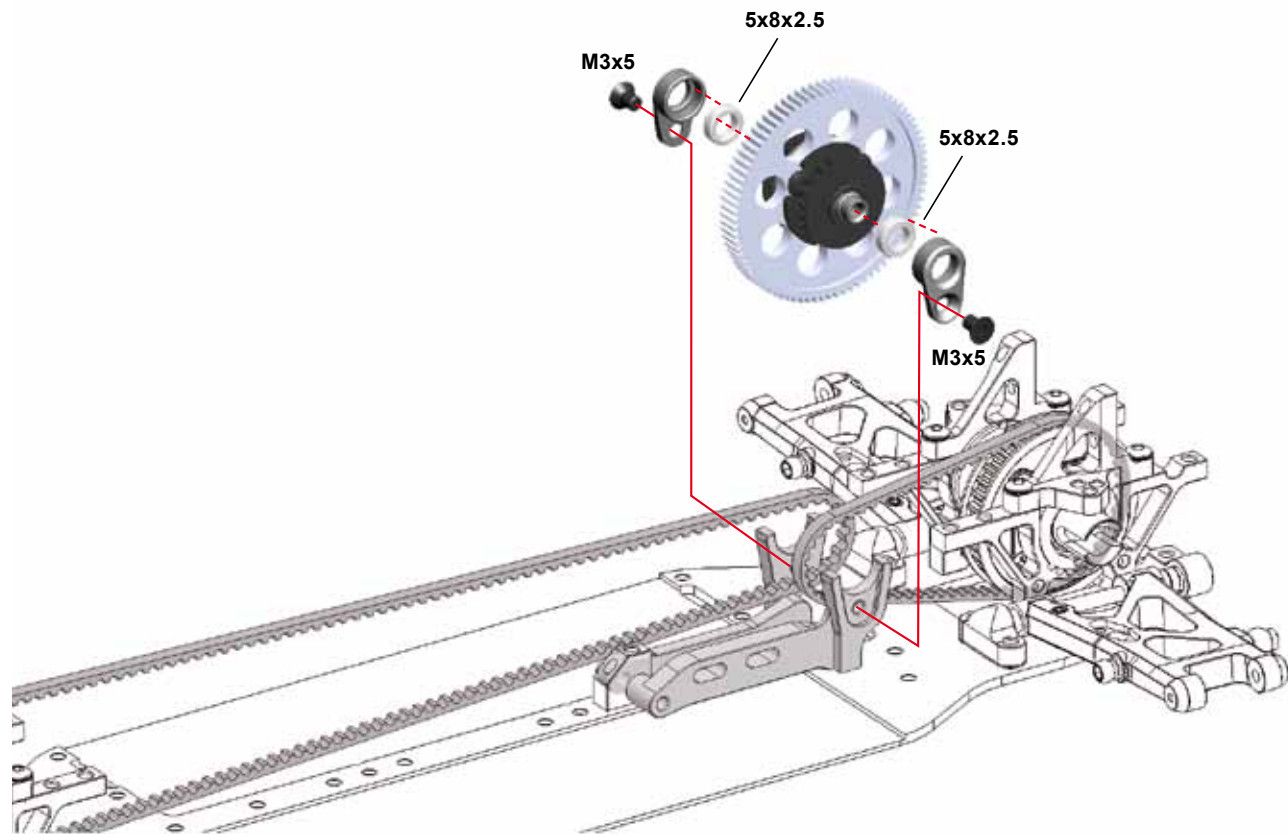
17



A

18



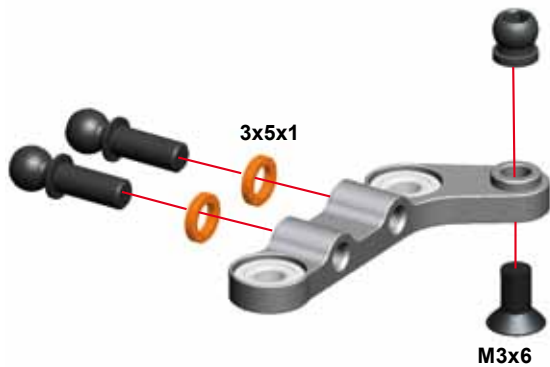


A

20

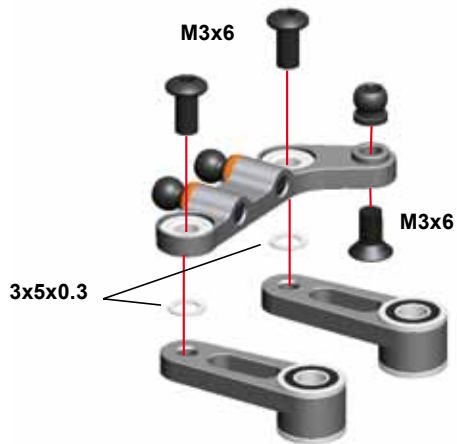
BAG

4



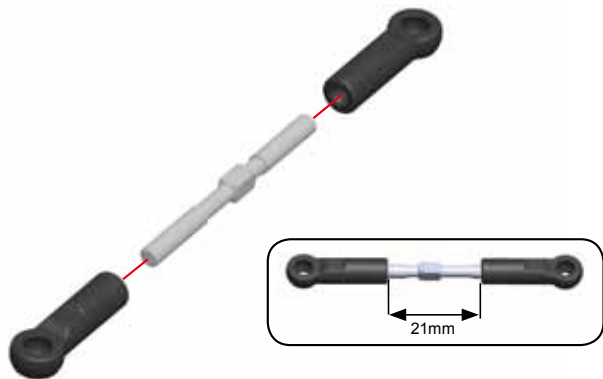
A

21



A

22



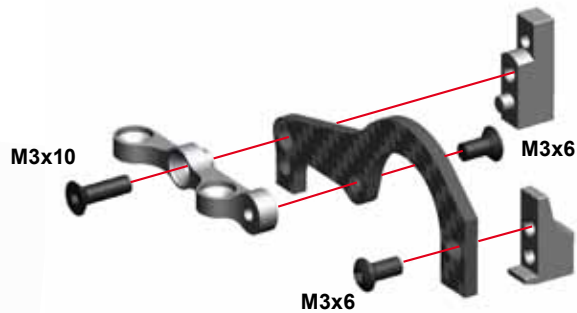
A

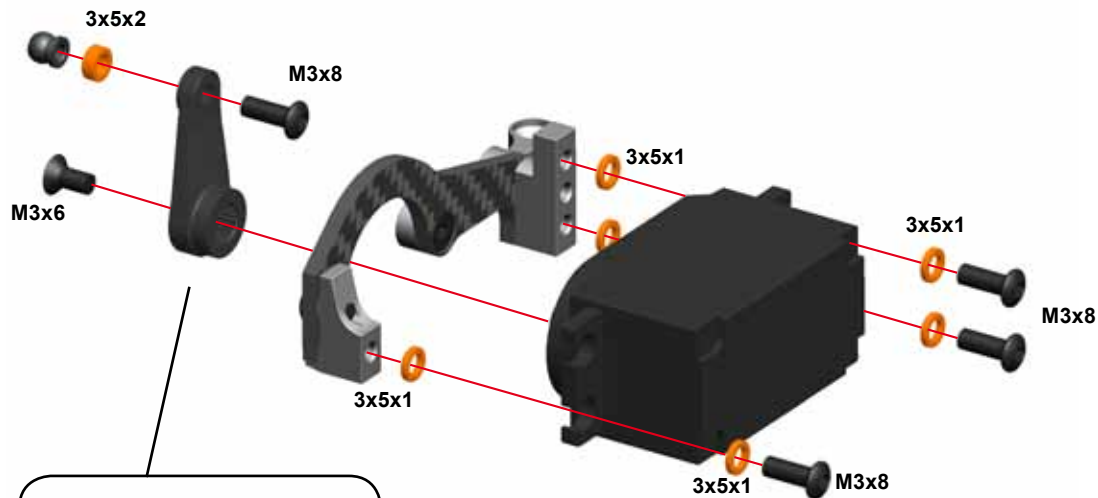
23



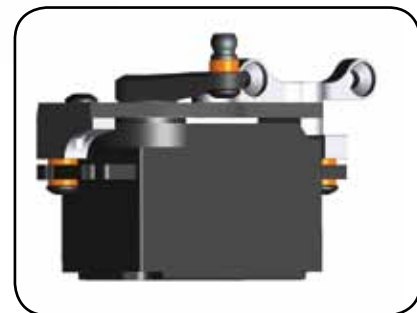
A

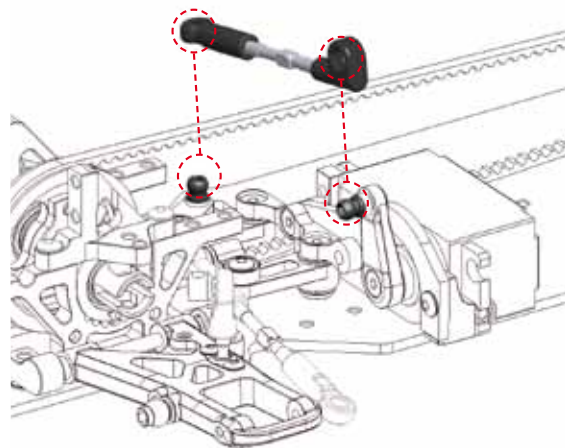
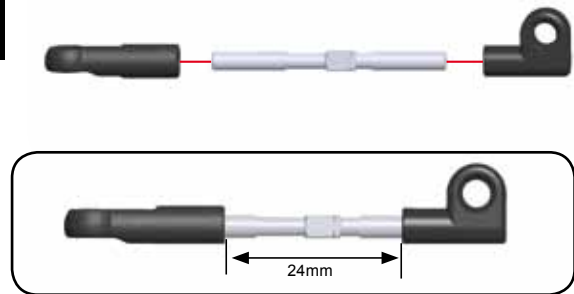
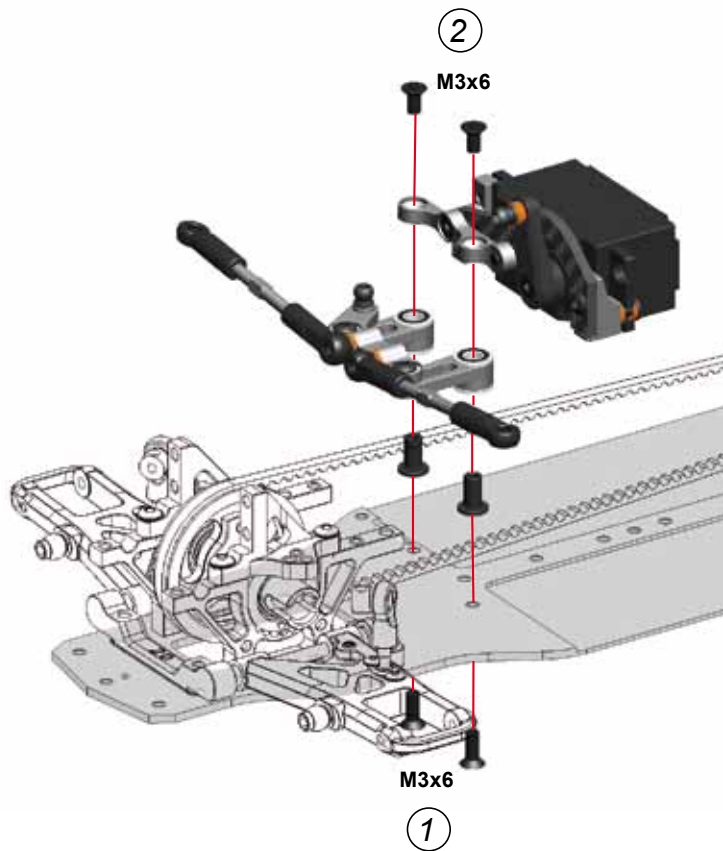
24





Select right level for your servo 22,23 or 24T



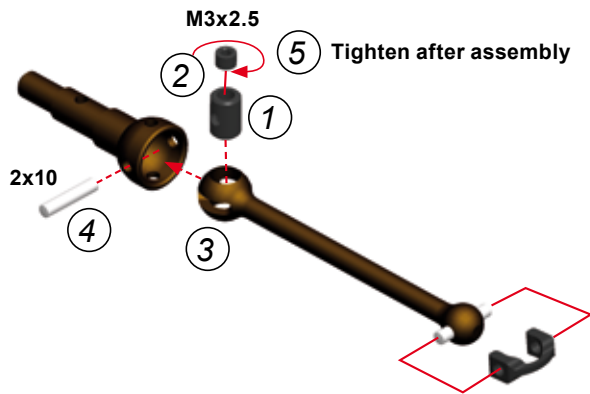


A

29

BAG

5



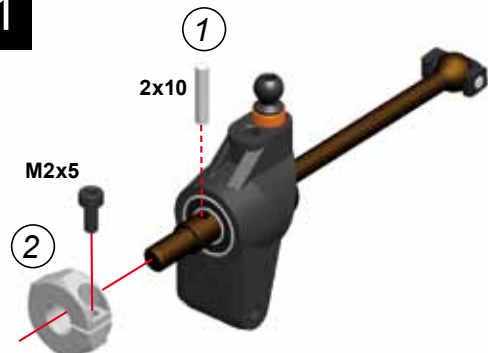
A

30



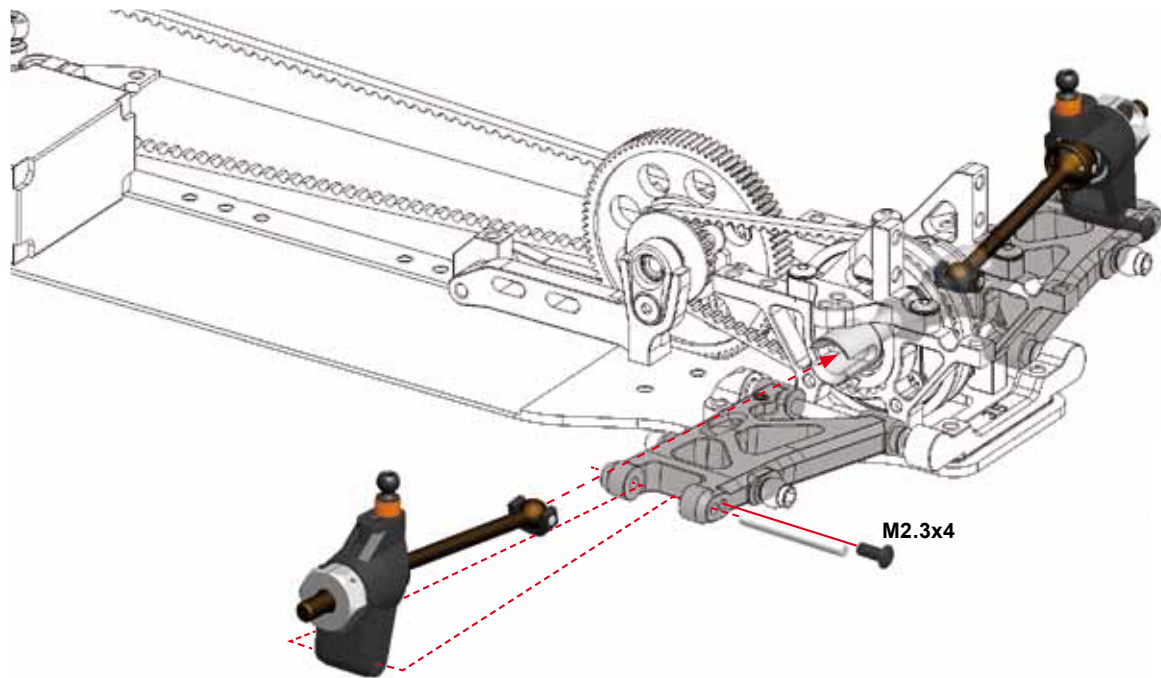
A

31

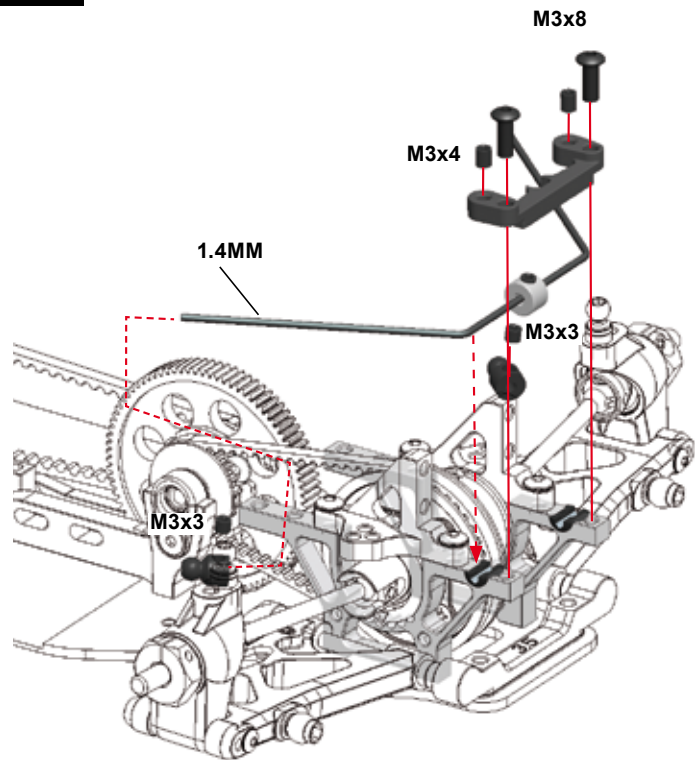
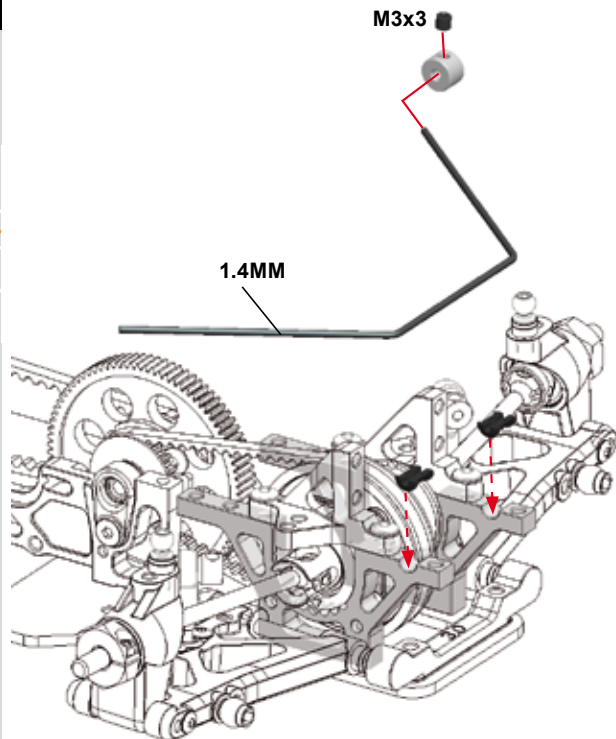


23

Support ERSYS.0

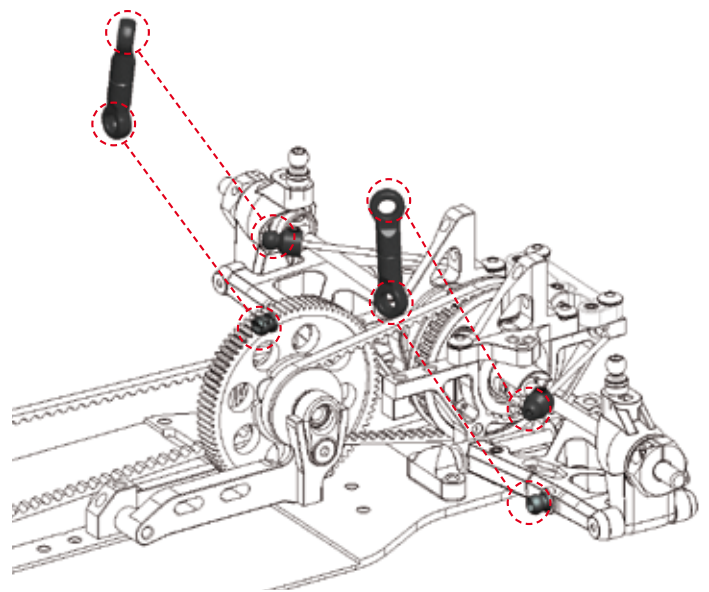






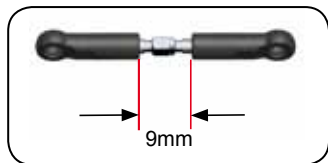


M3x12



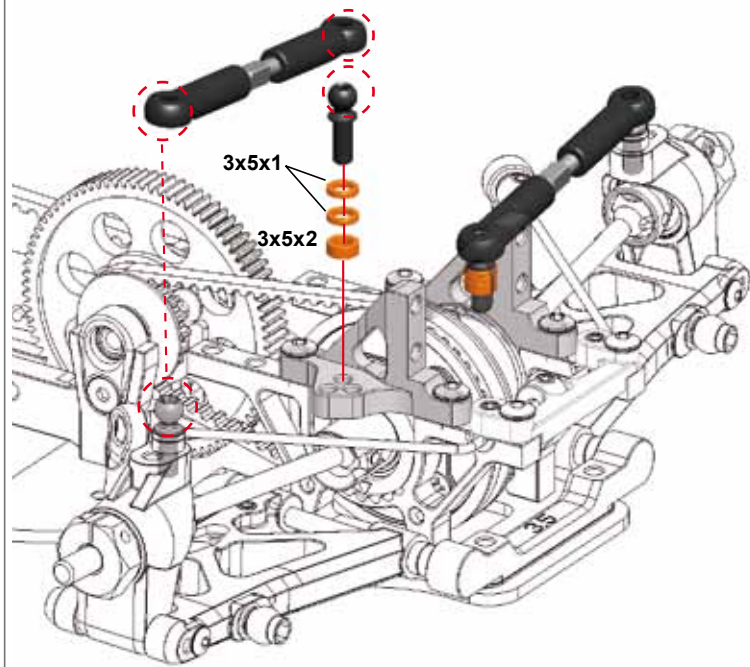
A

37



A

38

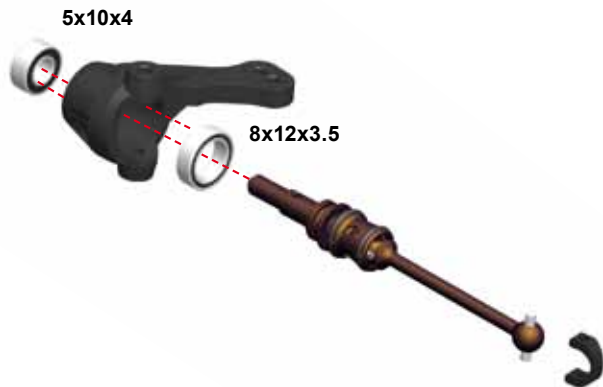


A

39

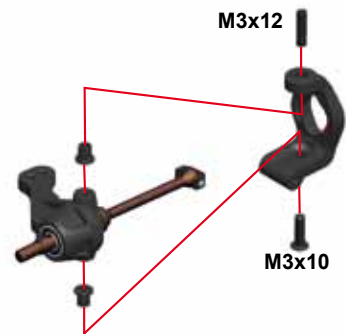
BAG

6



A

40

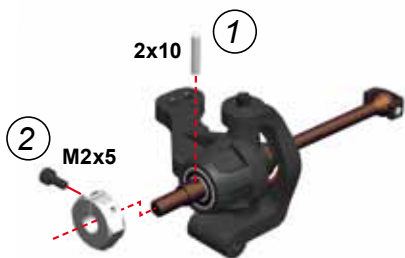


A

41

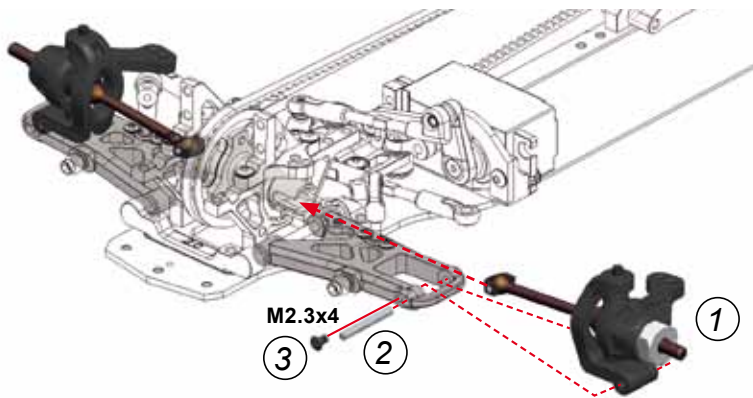
Scout **ERLX**s

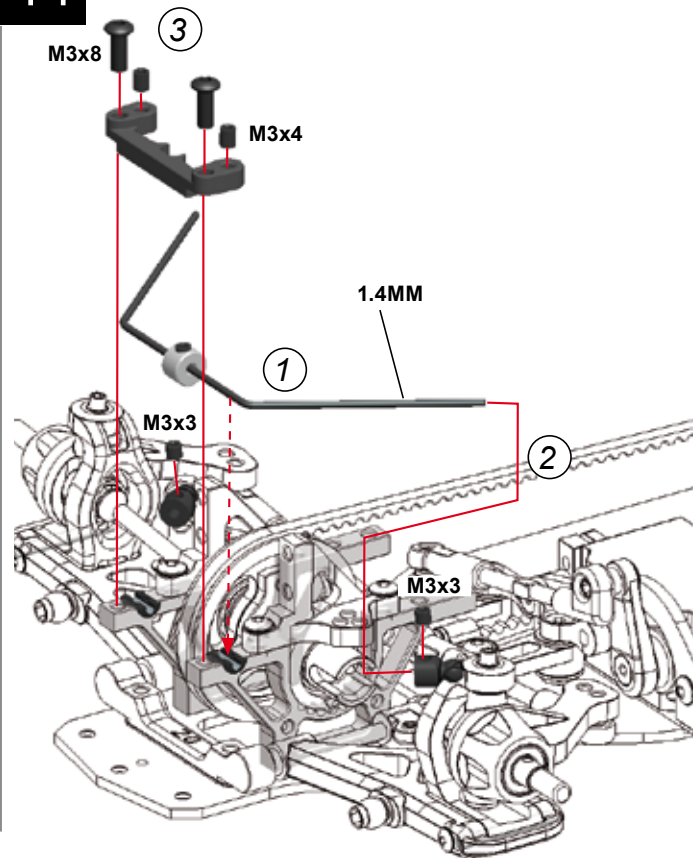
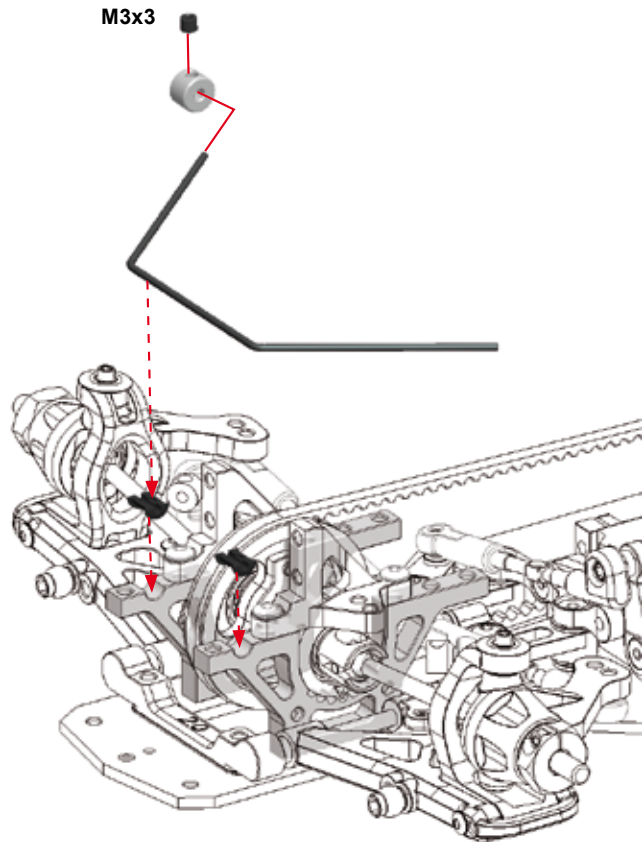
28



A

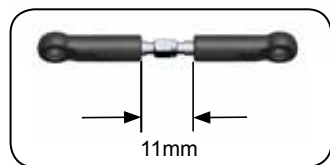
42





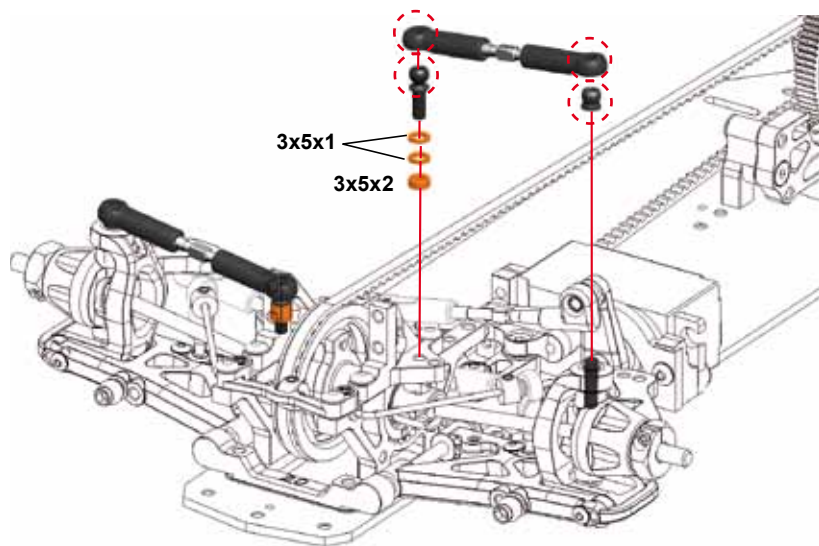
A

45



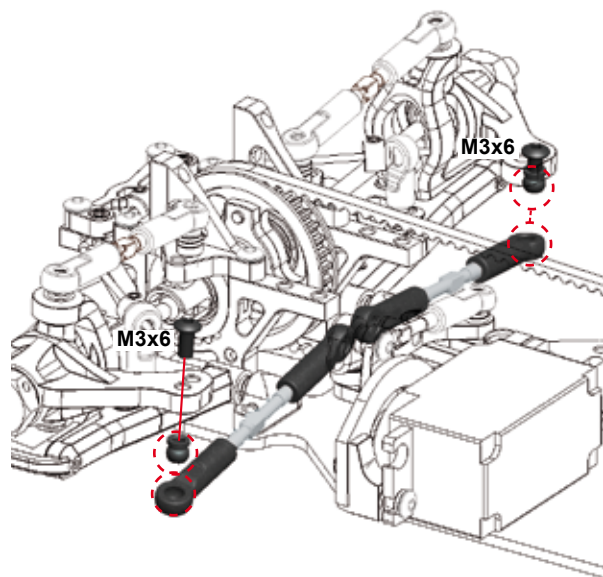
A

46



A

47



30

A

48

SHOCK BAG



A

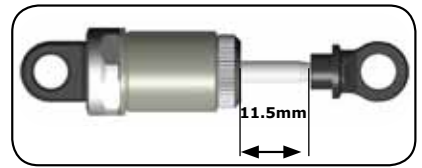
49

Check set-up sheet for piston type



A

50



A

51

Scorpion **ERLYX3.0**



Pull shockrod to bottom position before to fill the shock body with the supplied shock absorber oil.

**BLEEDING**

Let the oil settle and allow the air to escape

A

52

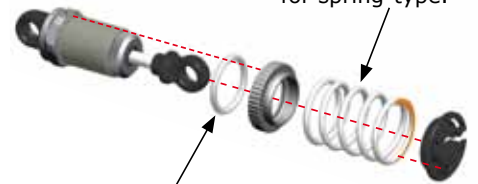


After assembly ensure you can push the piston all the way in (top of balljoint should hit the shock-bottom). If not, then re-open the shock and let some oil bleed out, and repeat the steps. Allow some 'rebound' on the shockshaft, around 4mm is normal.

A

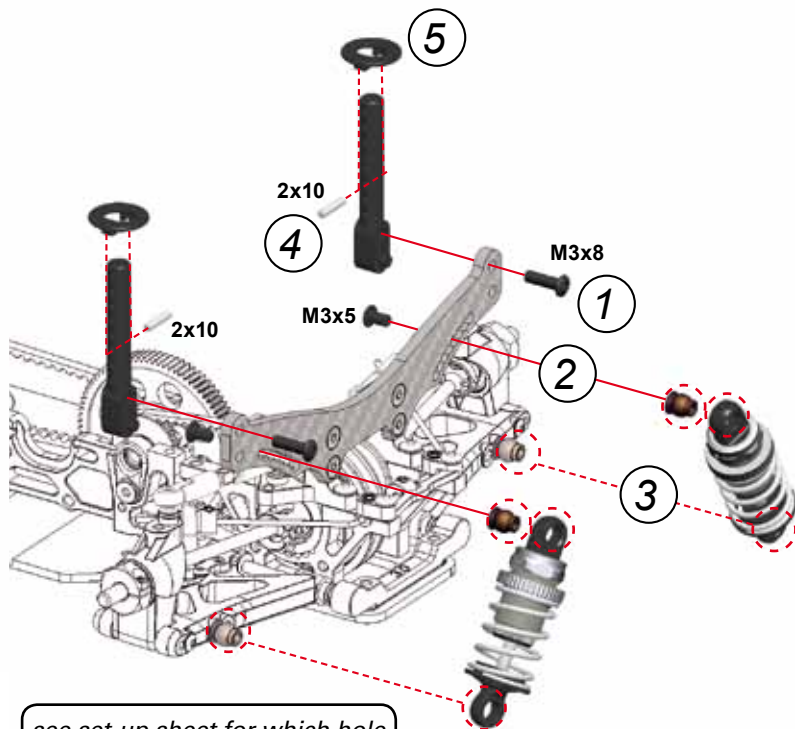
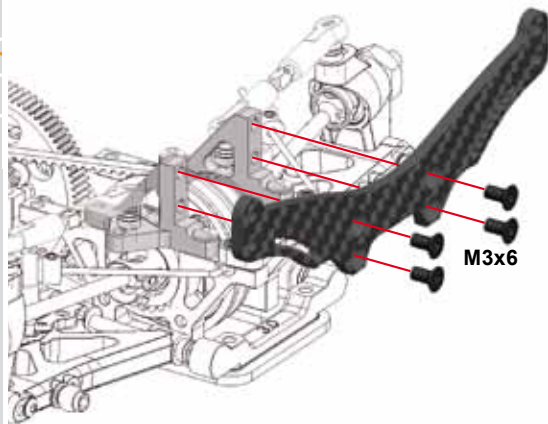
53

See Set-up sheet for spring-type.



Mount the o-ring inside the spring-nut.



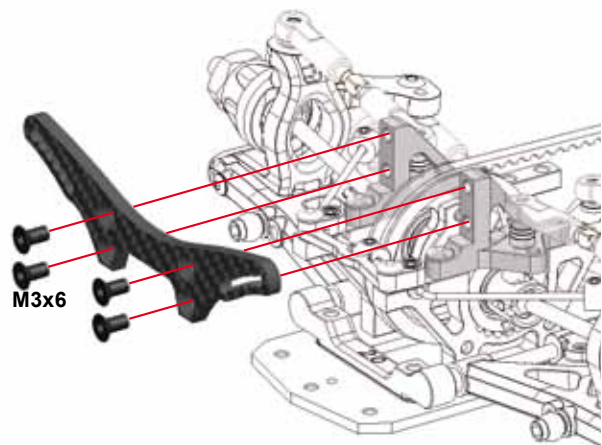


see set-up sheet for which hole  
to use for shock-top mounting



A

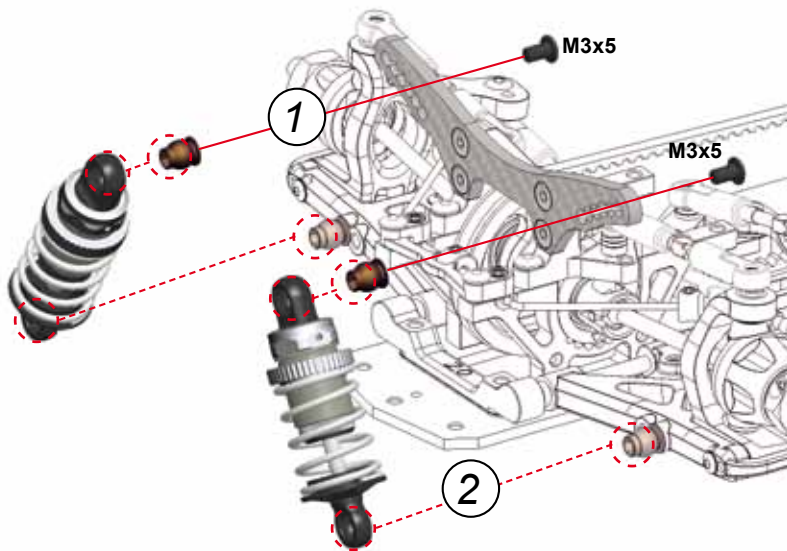
56

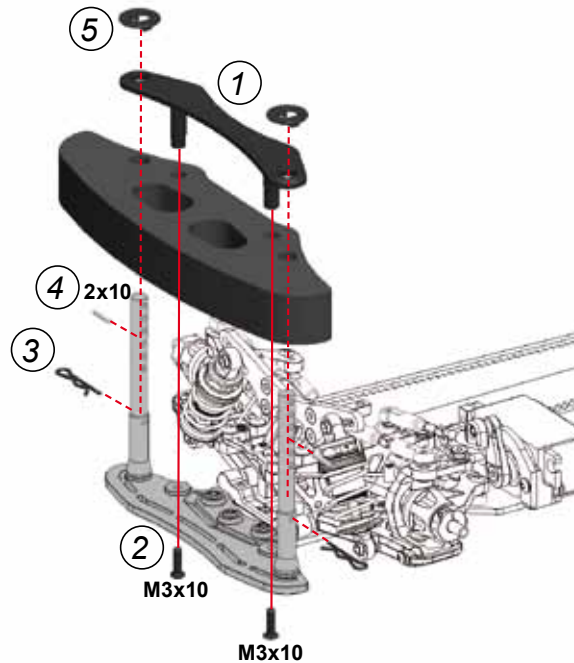
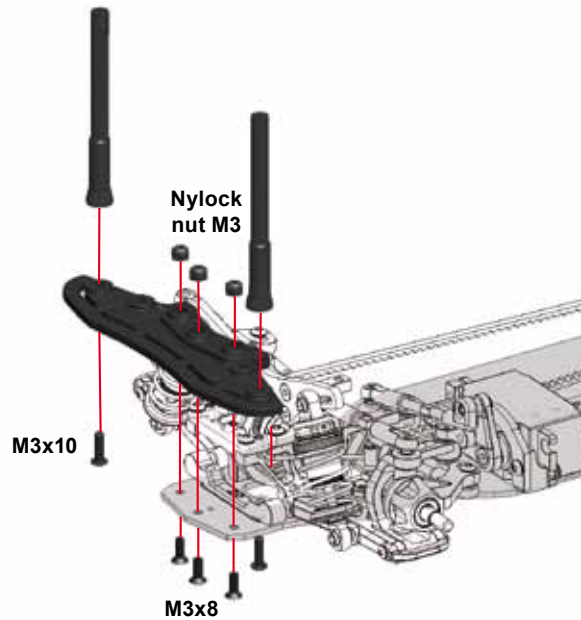


A

57

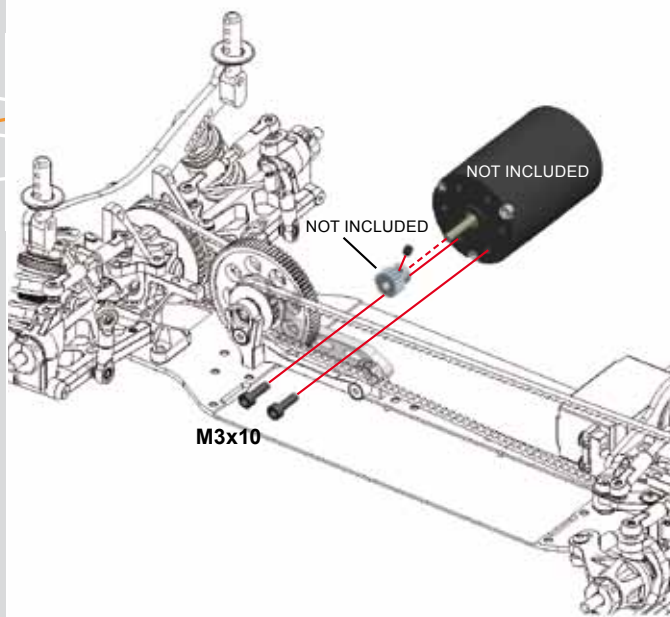
see set-up sheet for which hole to use for shock-top mounting





A

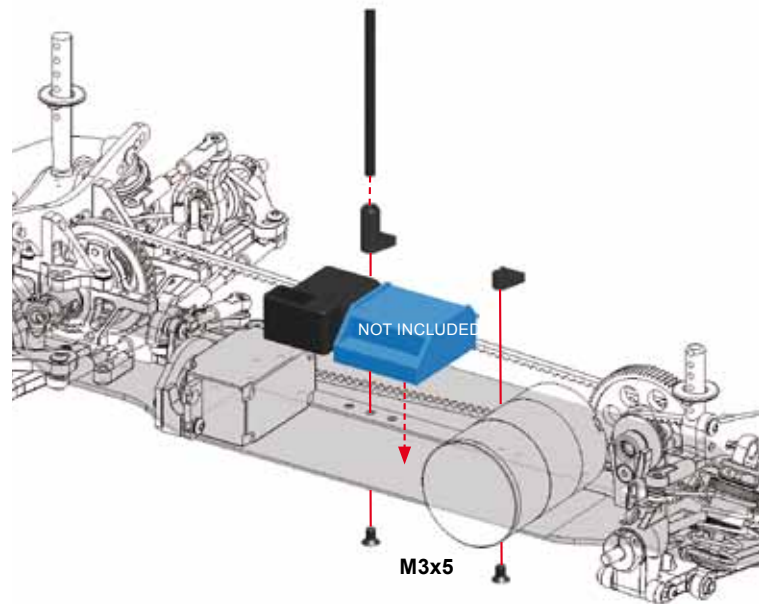
60



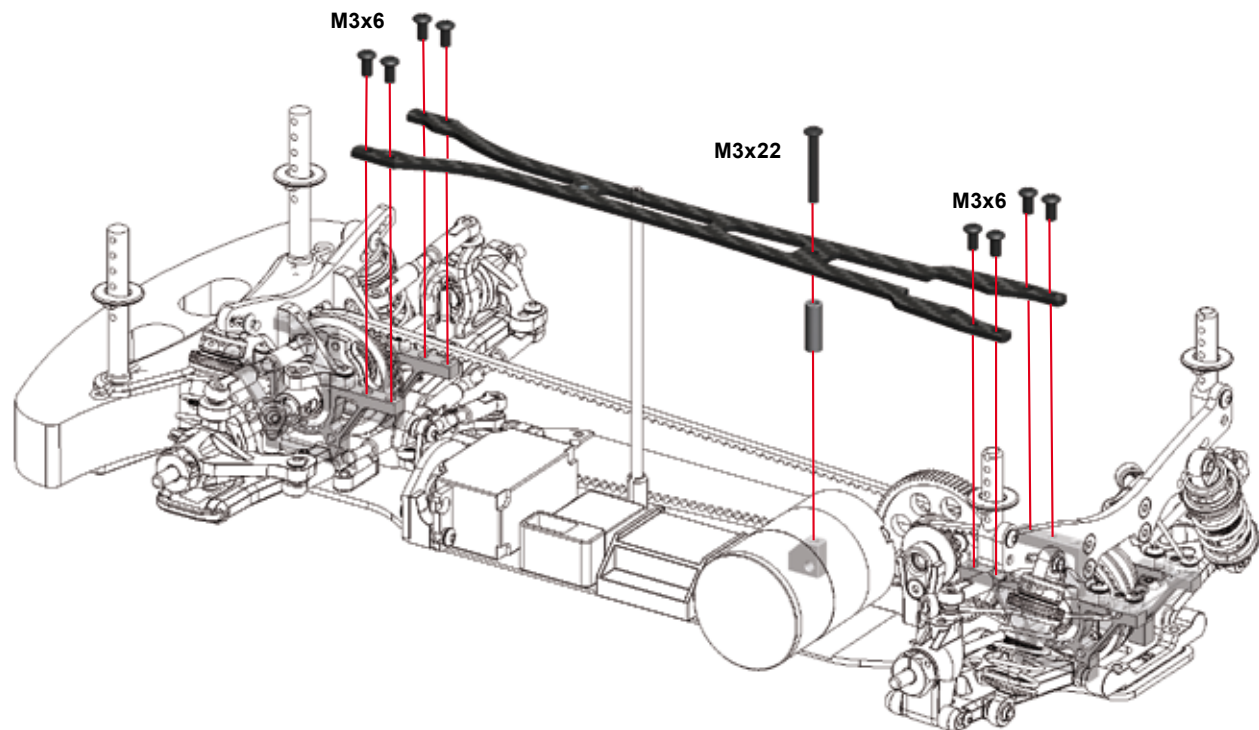
M3x10

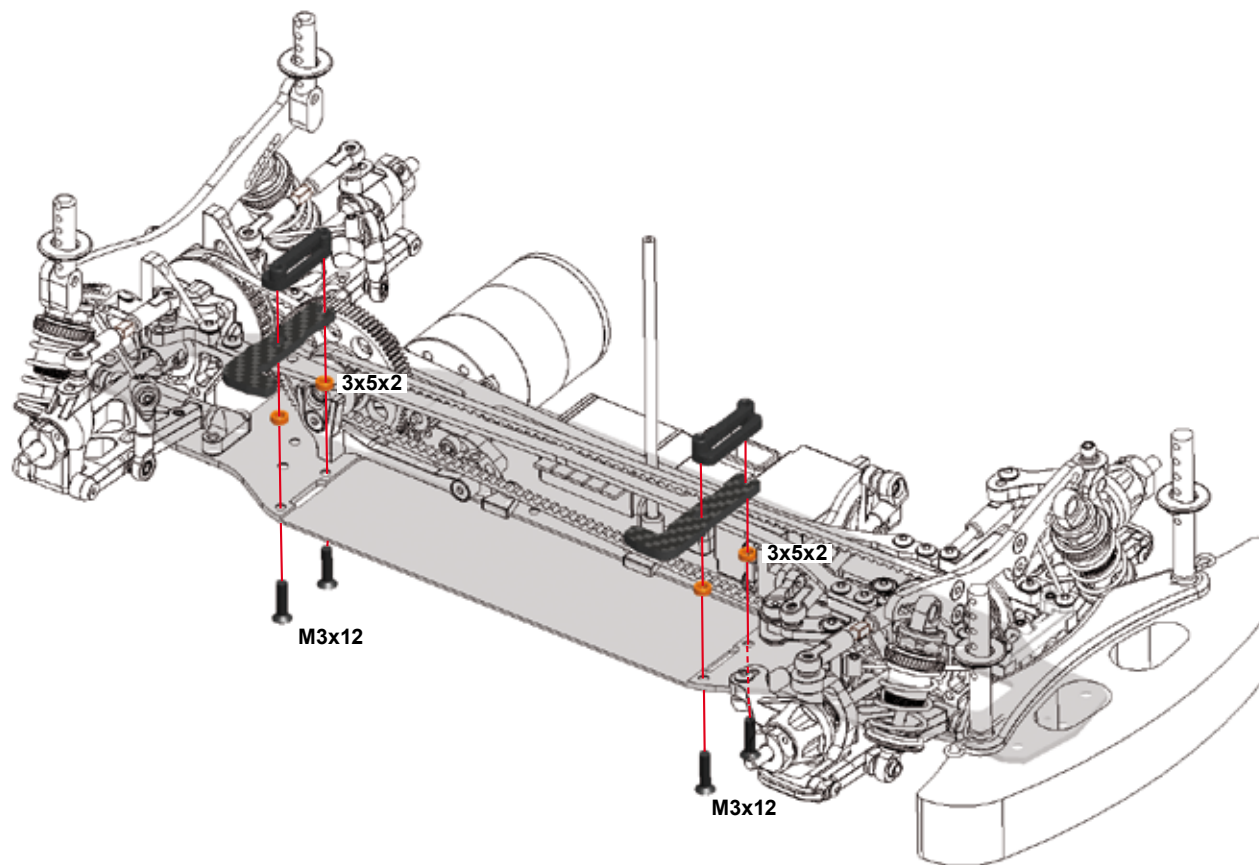
A

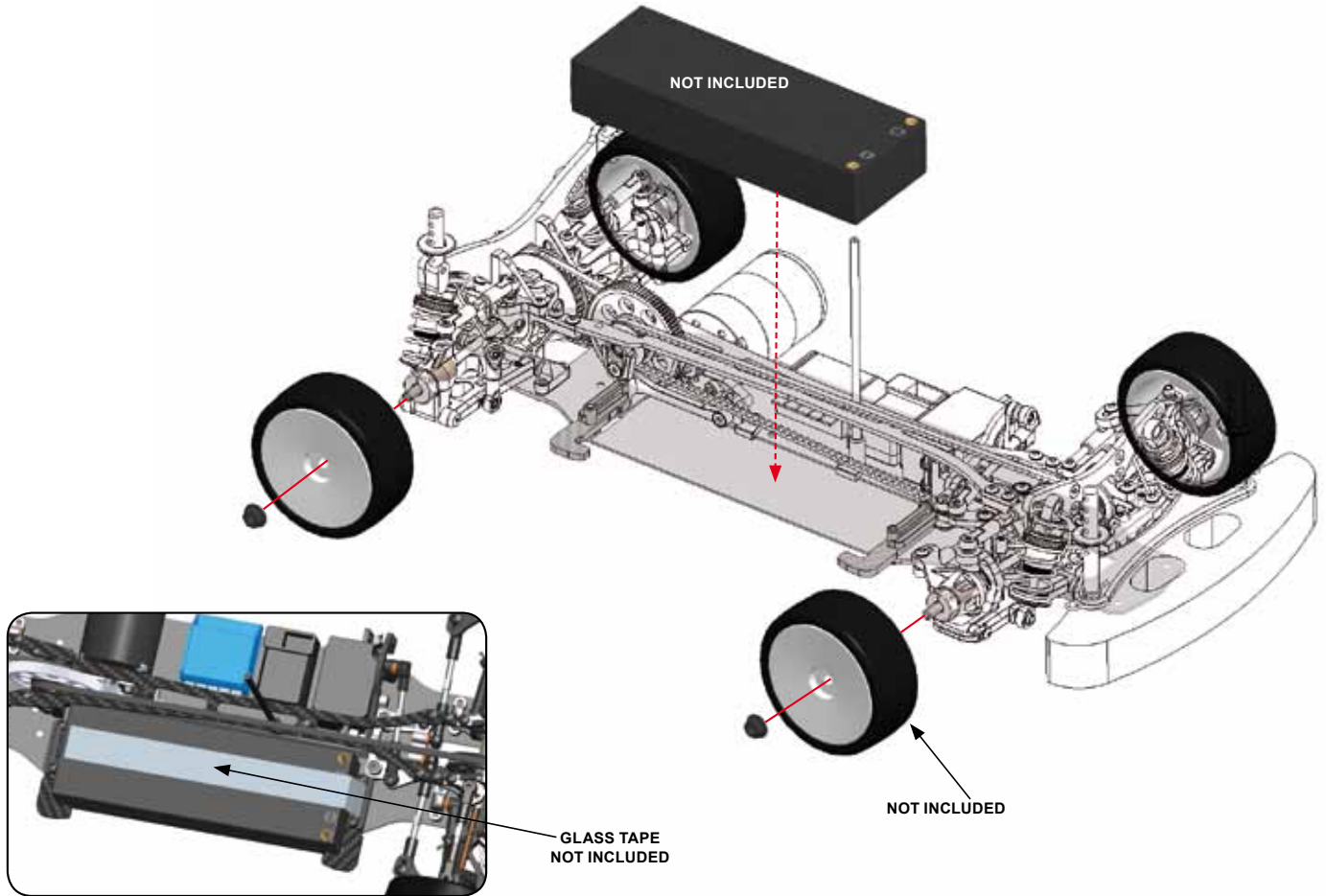
61



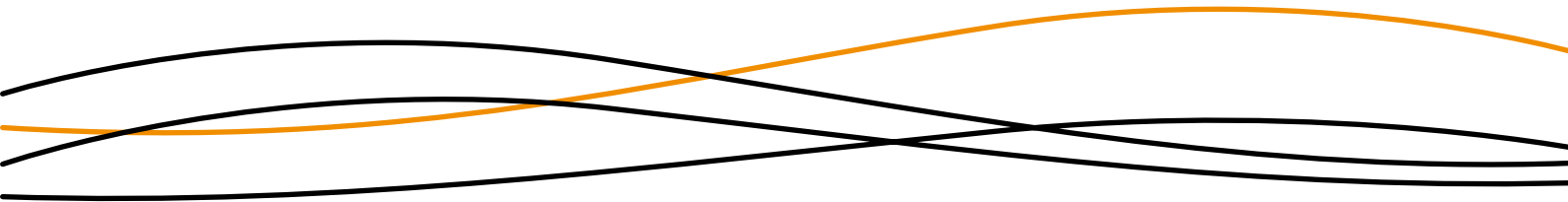
M3x5

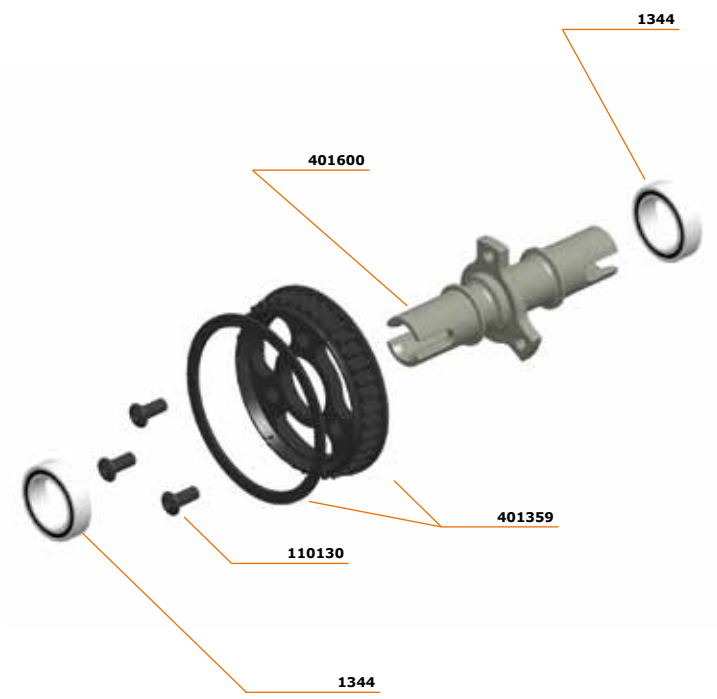
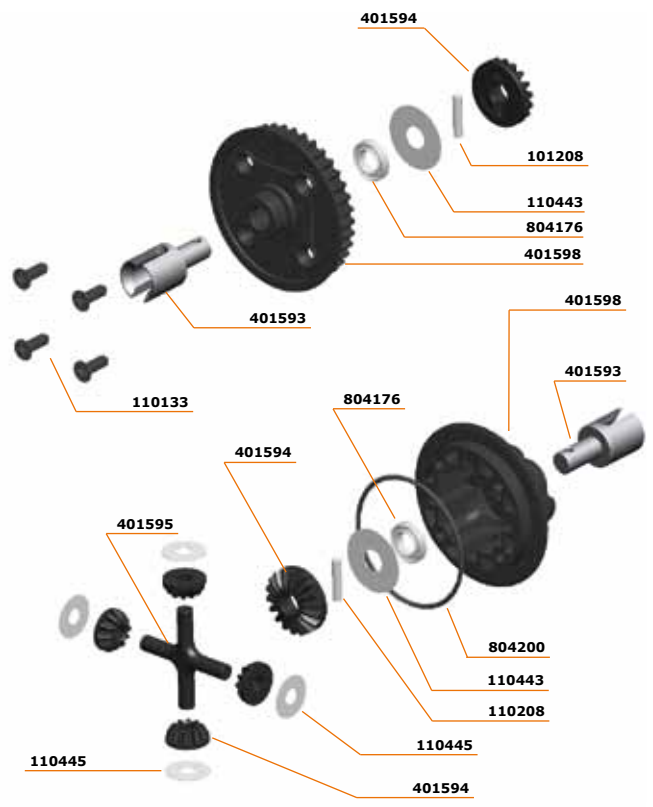






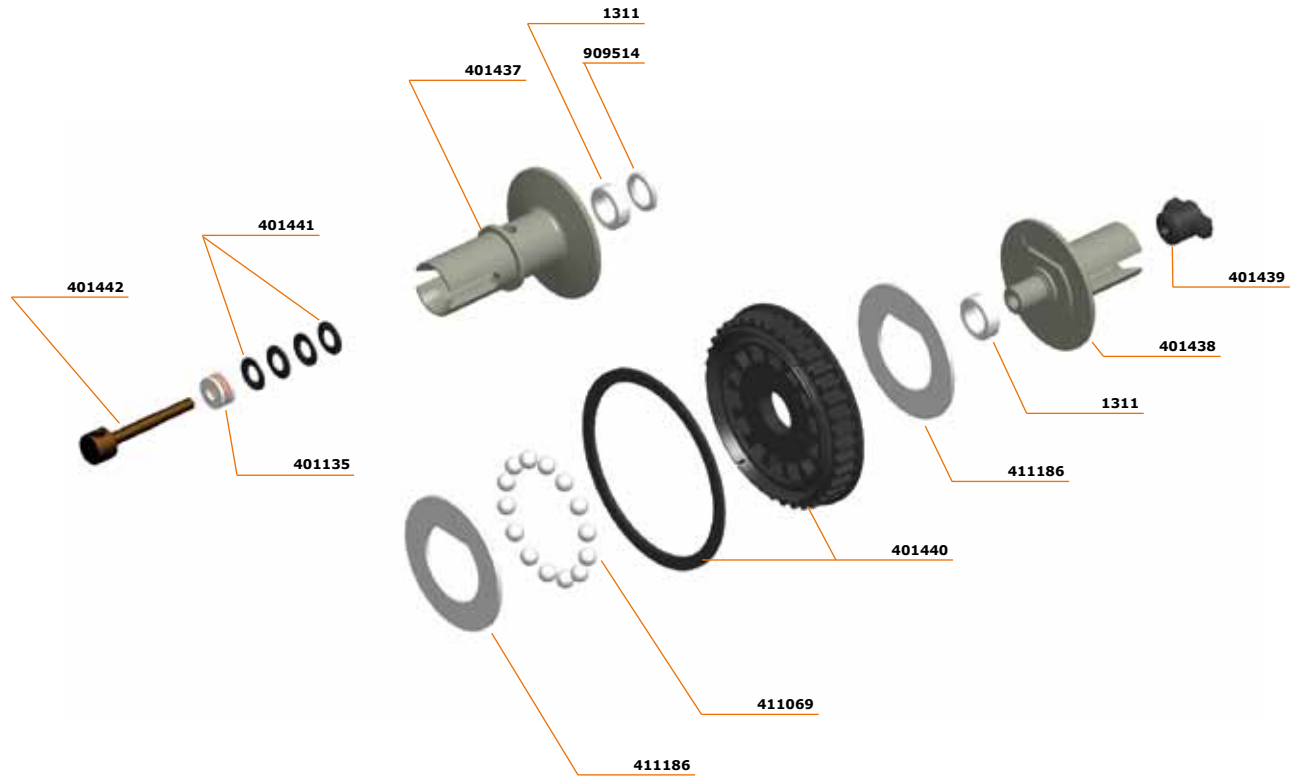
# REFERENCE GUIDE

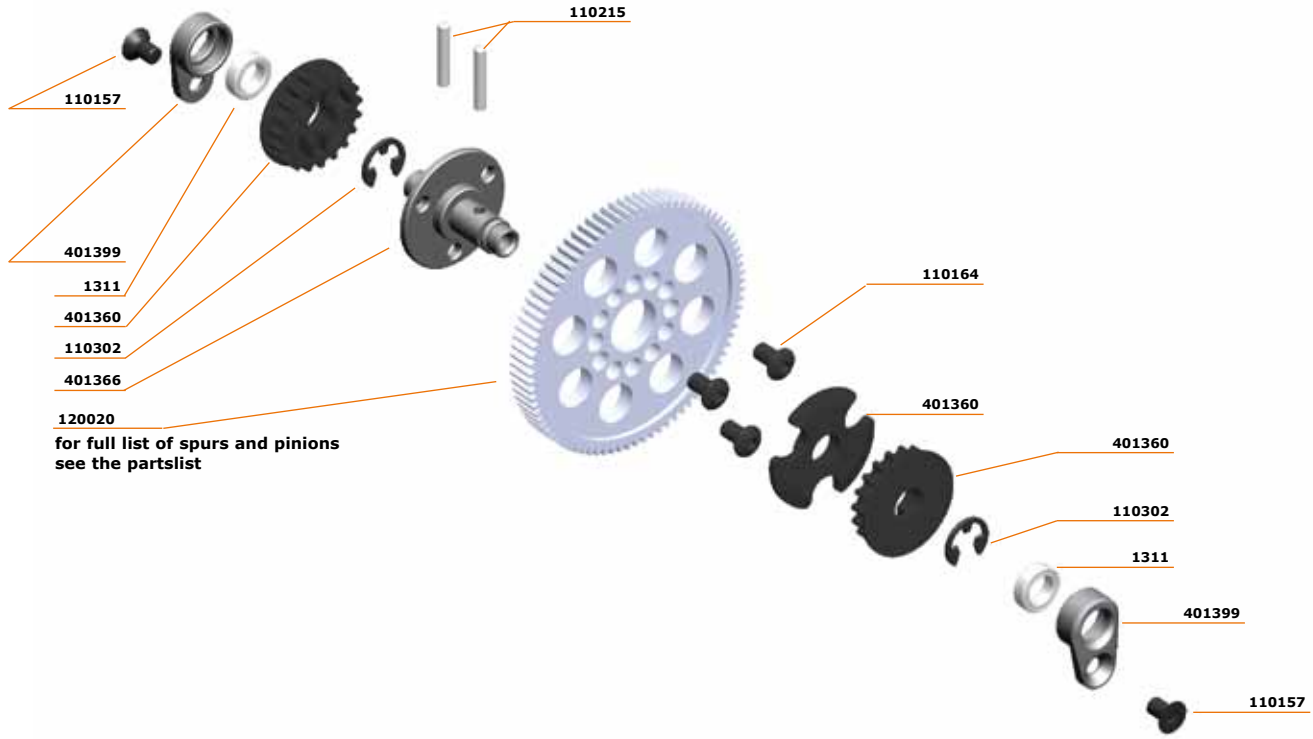




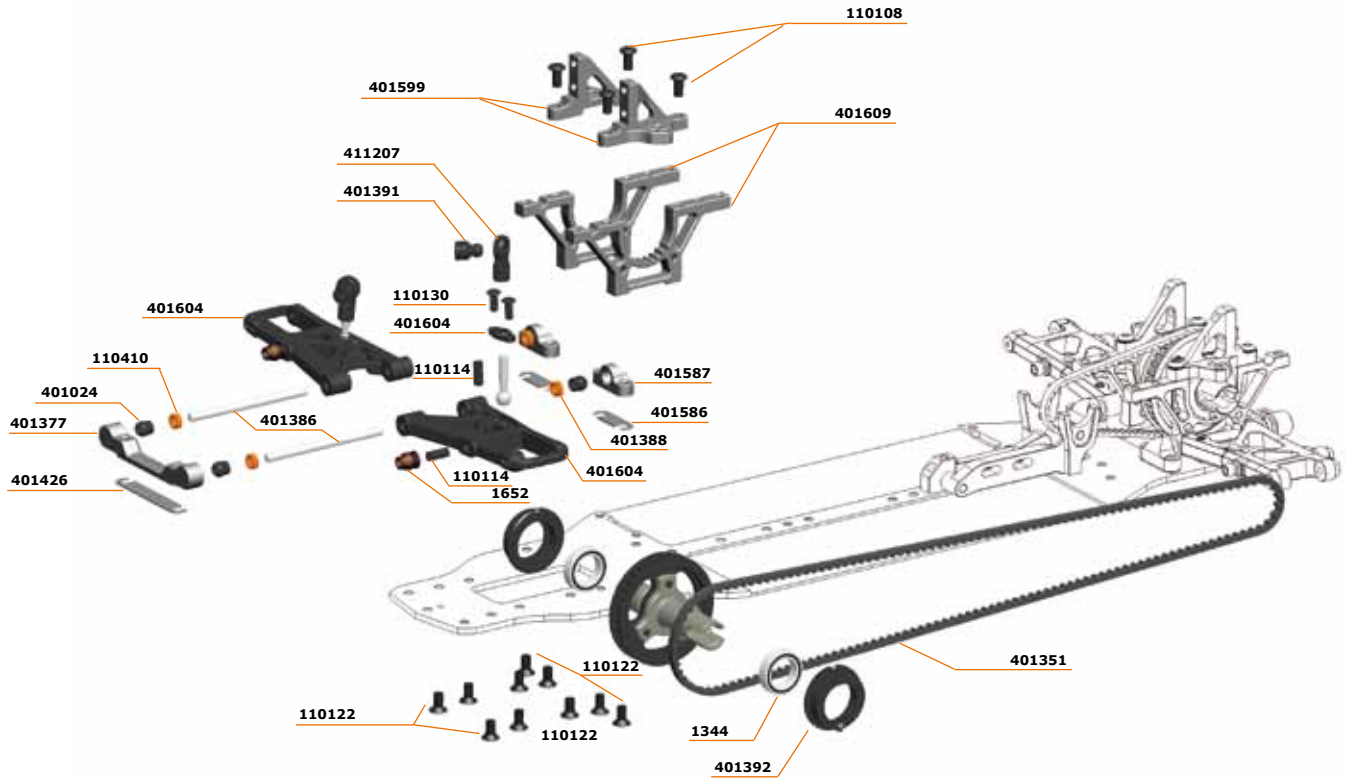


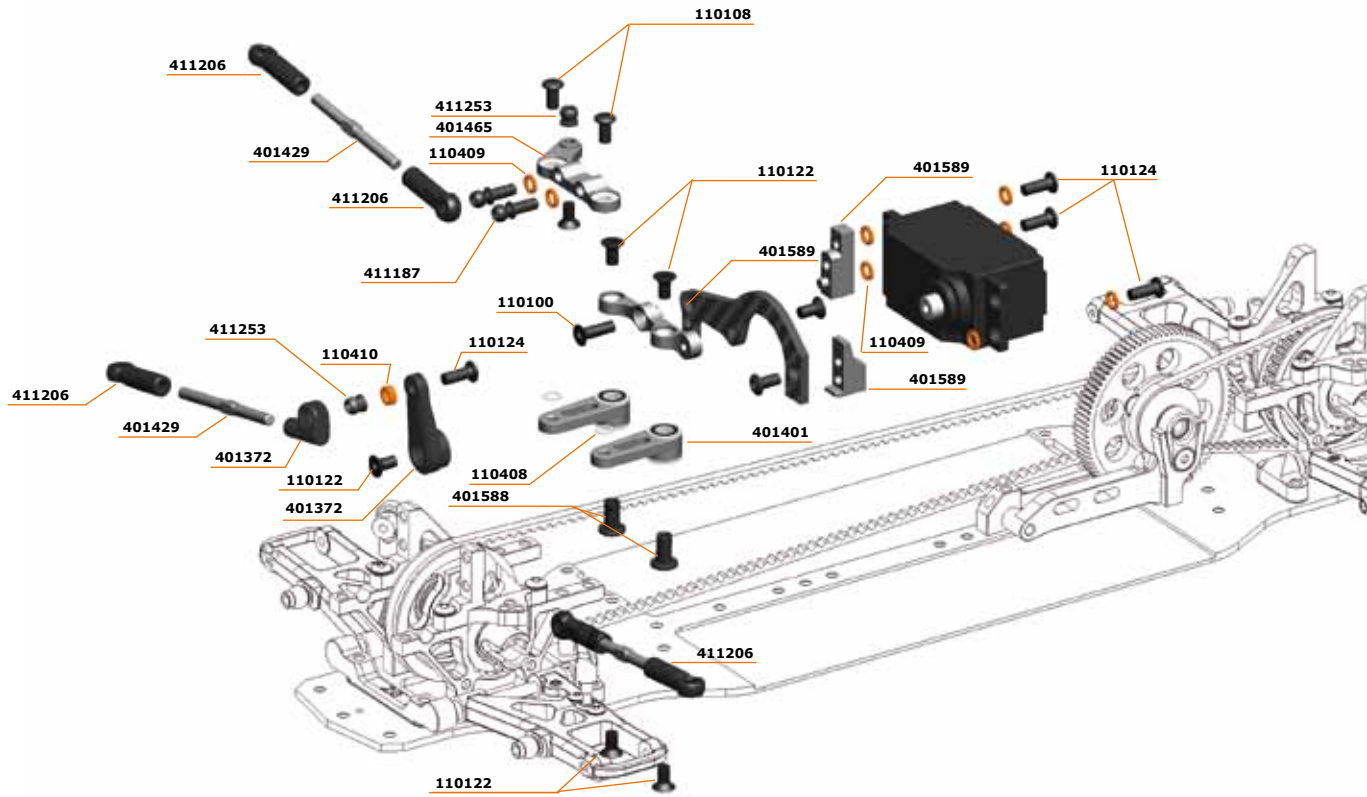
OPTIONAL

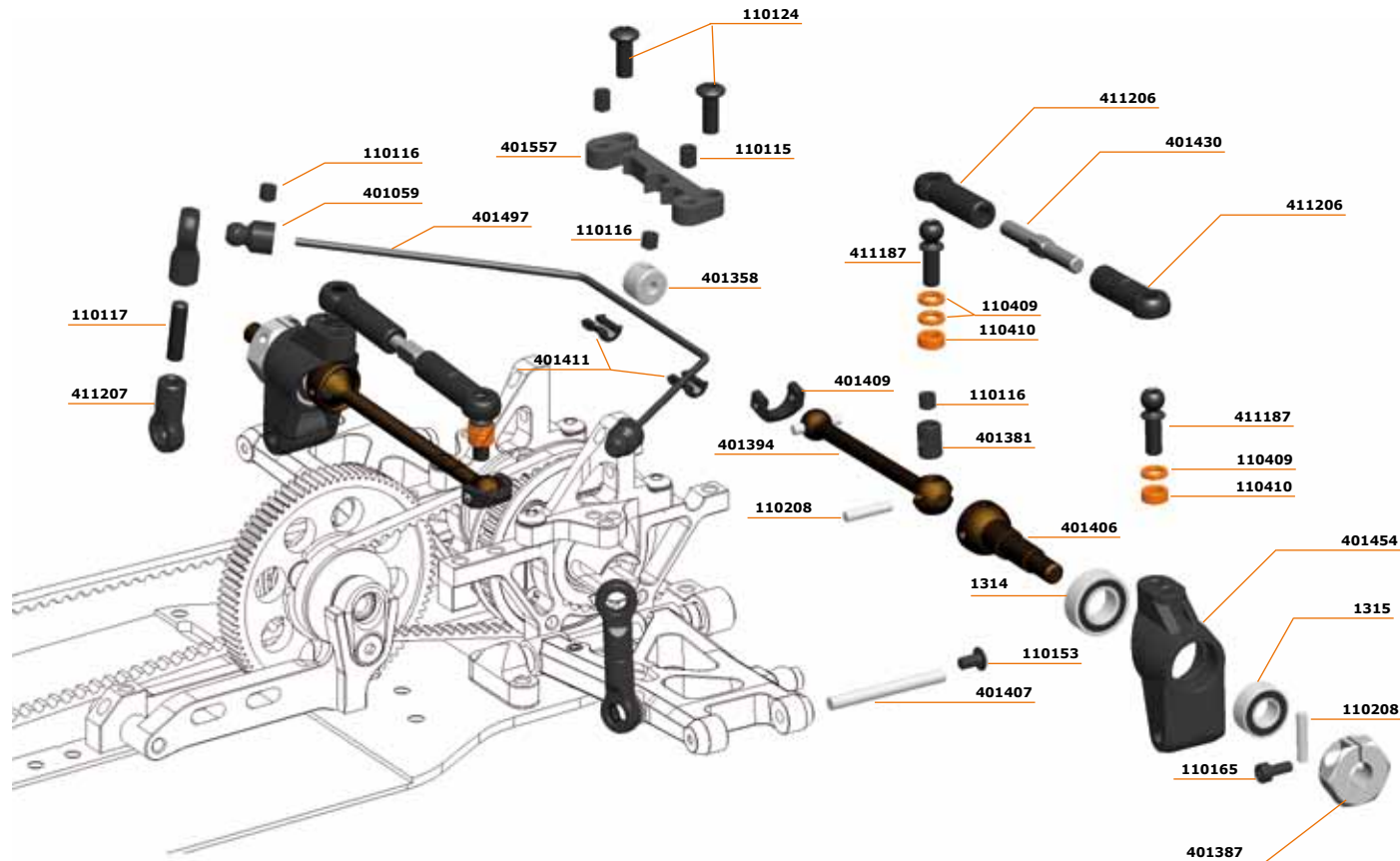


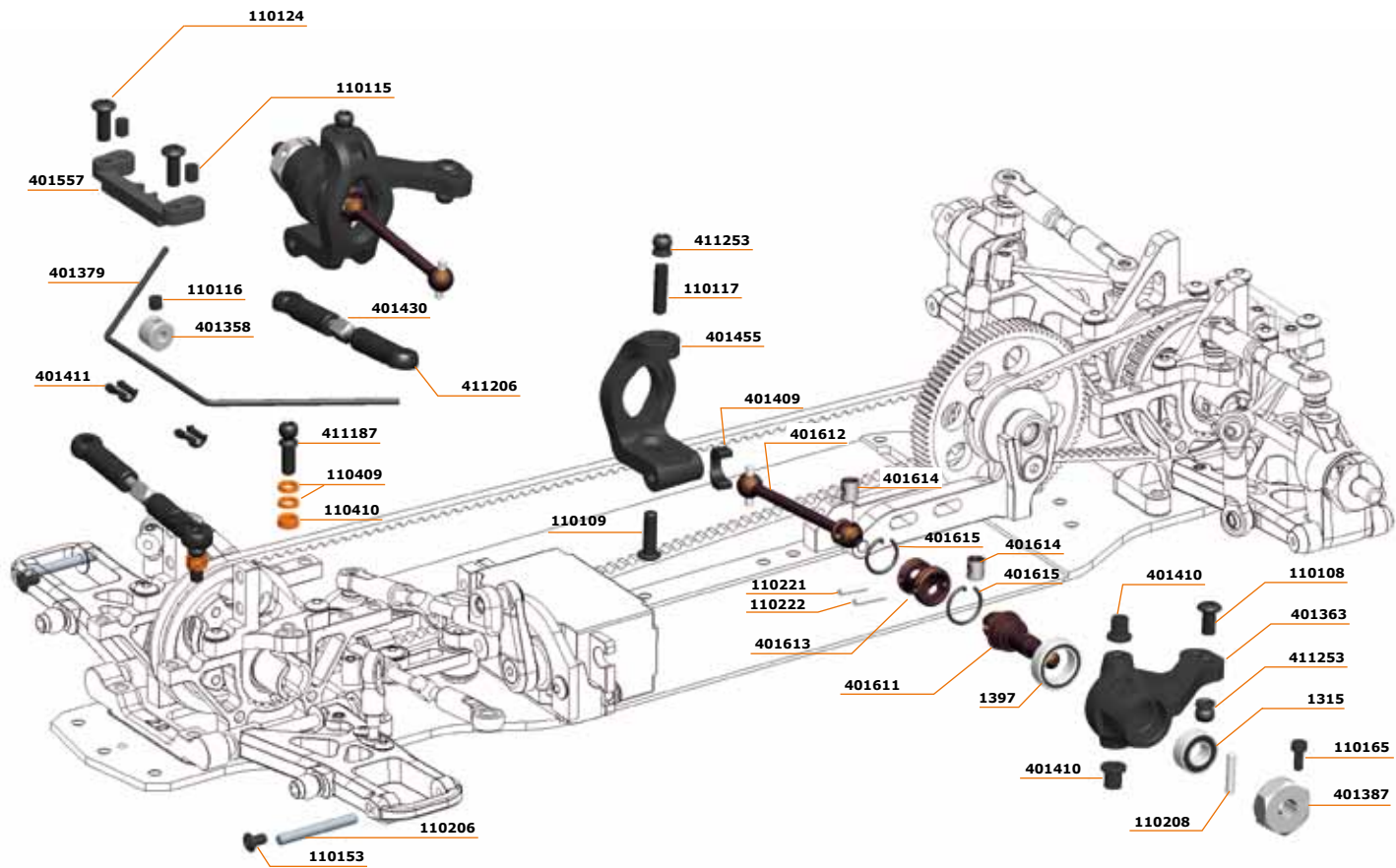


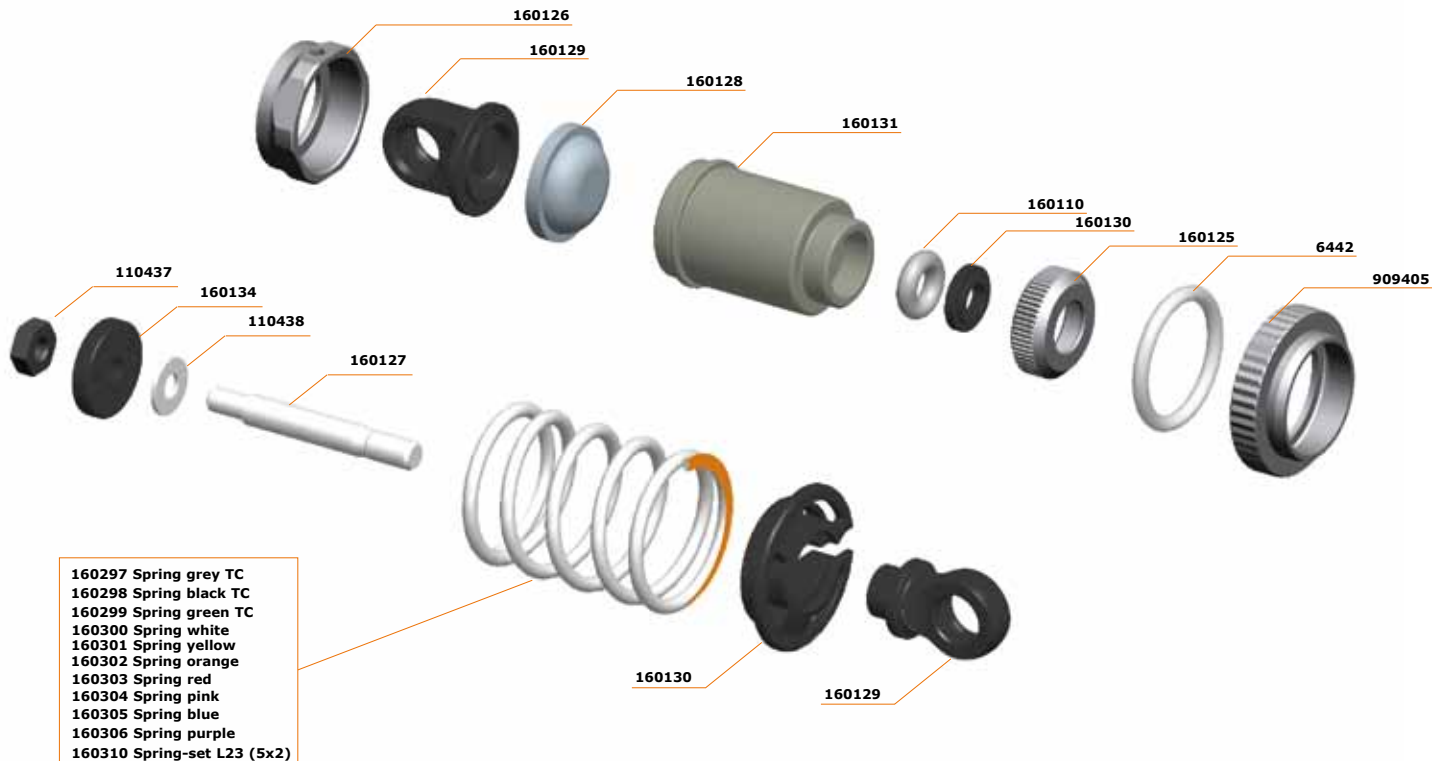




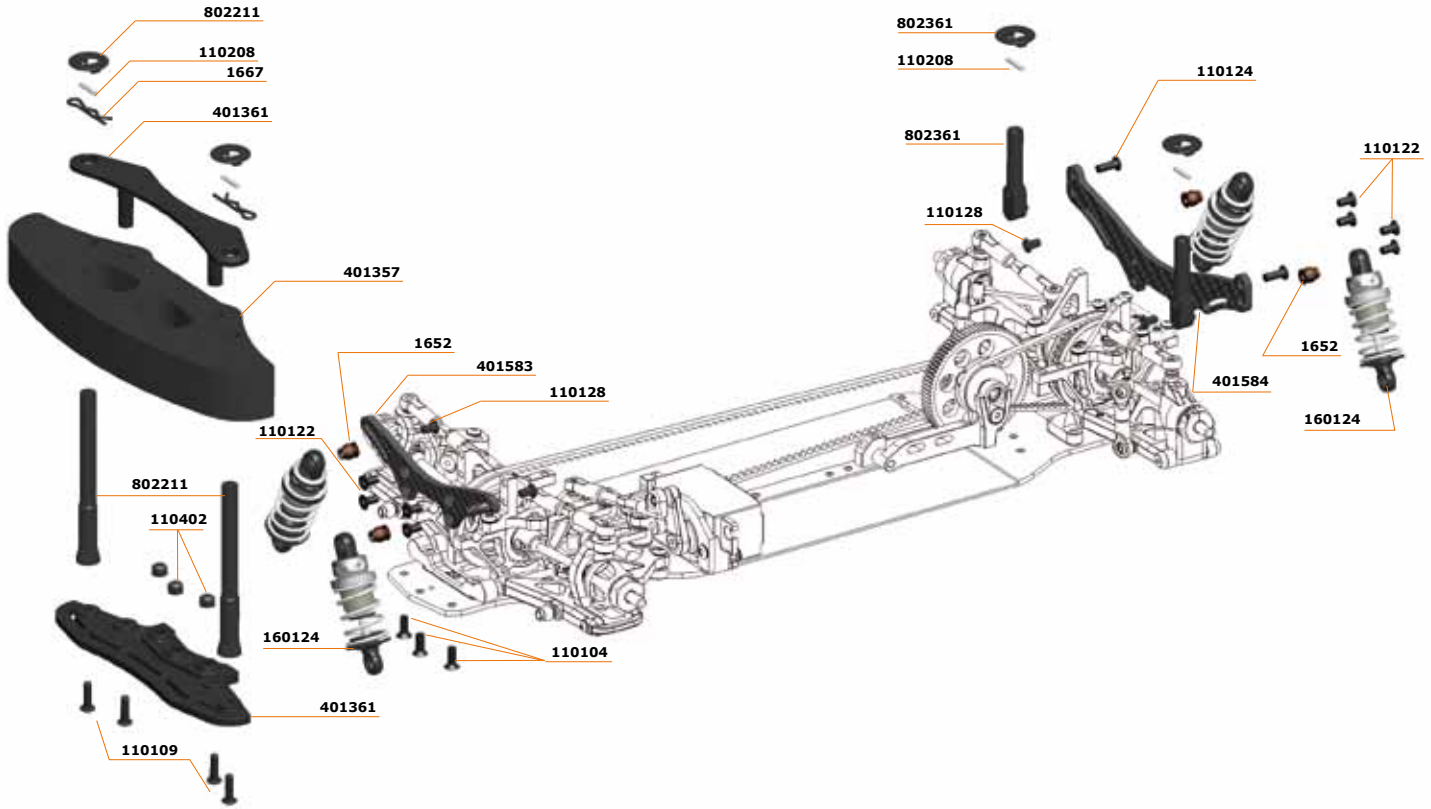


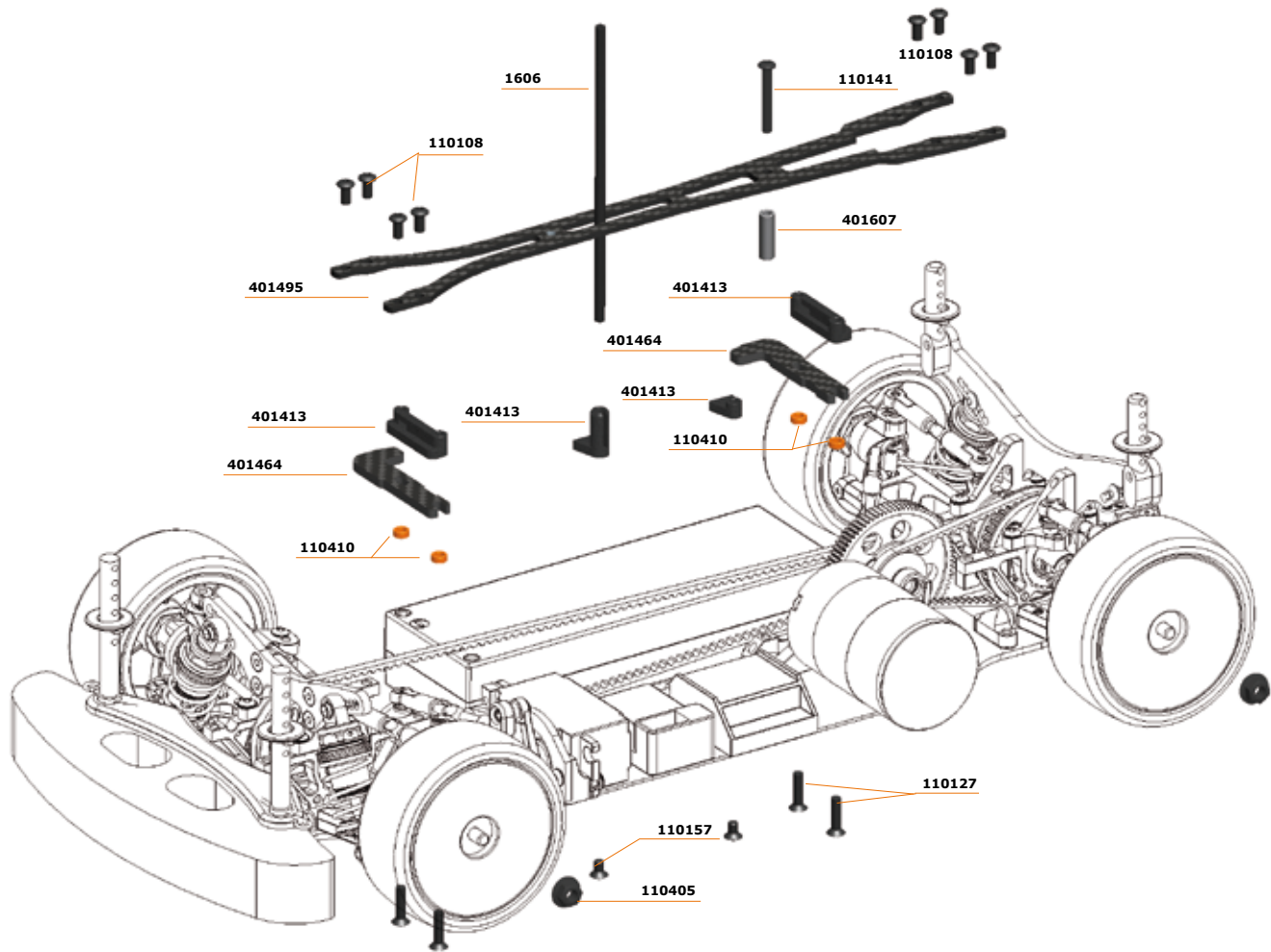












**Part no Description**  
**400016 Serpent 411 Eryx 3.0**

### MANUAL AND DECALS

401435 Decalsheet S411 black-white (2)  
 401456 Decalsheet S411 chrome (2)

### SERVO AND STEERING

401372 Servo-lever (4)  
 401401 Steering lever V2 (2)  
 401429 Trackrod alu (2)  
 401465 Steeringtrack V2  
 401588 Steering post low steel (2)  
 401589 Servo-mount direct 411  
 411187 Pivotball with shaft (2)  
 411206 Balljoint 4.5 (4)  
 411253 Pivotball uni 4.5mm (4)

### Optionals

401466 Steering shaft alu (2)  
 401500 Pivotball uni 4.5mm alu (4)

### SHOCK ABSORBERS

6442 O-ring adj.nut (10)  
 160110 Shock bottom O-ring (8)  
 160128 Shock RCM membrane soft (4)  
 160130 Shock spring support + bushing  
 RCM-SS (4+4)  
 909405 Shock adj nut alu +o-ring (4)  
 160111 Shock parts frame nylon short (14)  
 160131 Shock RCM -SS body alu (2)  
 160126 Shock RCM-SS top nut (2)  
 160125 Shock RCM-SS bottom (2)  
 160127 Shock RCM-SS shaft (2)  
 160129 Shock end frame RCM-SS (4+4)  
 160130 Shock spring support + bushing  
 RCM-SS (4+4)  
 160129 Shock end frame RCM-SS (4+4)

### Optionals

160107 Shock RCM membrane (4)

160132 Shock bushing delrin RCM -SS (4)  
 160133 Shock shaft Tin coated RCM-SS (2)

### SHOCK SPRINGS

160297 Spring grey short (2.6/14.8) TC (2)  
 160298 Spring black short (2.9/16.5) TC (2)  
 160299 Spring green short (3.5/19.9) TC (2)  
 160300 Spring white L23 (2.3/13) (2)  
 160301 Spring yellow L23 (2.8/16) (2)  
 160302 Spring orange L23 (3.4/19.5) (2)  
 160303 Spring red L23 (4.1/23.5) (2)  
 160304 Spring pink L23 (4.0/28) (2)

### CHASSIS

401608 Chassis 411 alu 2mm 7075T6  
 401495 Top-deck 411 2mm flex

### Optionals

401590 Chassis carbon 2.25  
 401591 Chassis carbon hard 2.0  
 401563 Topdeck carbon 1.75mm  
 401495 Top-deck carbon flex 2mm  
 401431 Topdeck carbon 2.5mm

### BODYMOUNTS FR AND RR

802211 Bodymount adjustable front (3)  
 802361 Bodymount adjustable rear (2)

### Optionals

401602 Body-height fine-tuner alu (4)

### FRONT SECTION

1652 Steel balls 5.8mm long (4)  
 401024 ball 5mm (10)  
 401059 Antirollbar ball (4)  
 401357 Foam bumper  
 401358 Stabi collar (2)  
 401361 Bumper upper/ lower  
 401363 Steeringblock L+R  
 401377 Suspension bracket alu 2  
 401379 Antirollbar 1.4mm

401386 Pivot pin front inner (2)  
 401387 Wheelhexagon 1mm offset (2)  
 401391 Antirollbar ball (2)  
 401392 Bearing excenter (4)  
 401409 Blade (16)  
 401426 Spacer suspension 0.5mm (2)  
 401430 Camberlink alu (2)  
 401455 C-hub 4 L+R hard  
 401557 Antiroll bar mount fr/rr (2)  
 401583 Shocktower carbon low front 411  
 401586 Spacer alu bracket 0.5 (4)  
 401597 Suspension bracket alu 0.5 - 1.5  
 401599 Shocktower mount alu L+R V2  
 401604 Wishbone FR Lw V2 hard (2)  
 401609 Bearingblock alu light (2)  
 401610 Double joint cardan set V2 (2)  
 401611 Wheelaxle double joint cardan  
 V2 (2)  
 401612 Driveshaft double joint cardan  
 V2 (2)  
 401613 Coupler double joint cardan  
 V2 (2)  
 401614 Insert double joint cardan V2 (2)  
 401615 Spring set double joint cardan  
 V2 (5+5)  
 411063 Pivot ball threaded upper arm (2)  
 411187 Pivotball with shaft (2)  
 411206 Balljoint 4.5 (4)  
 411207 Balljoint 4.5 short (2)  
 411253 Pivotball uni 4.5mm (4)  
 802211 Bodymount adjustable front (3)  
 909345 Pivot bushings rear bodymount (4)

### Optionals

401375 Suspension bracket alu 0  
 401376 Suspension bracket alu 1  
 401378 Suspension bracket alu 3  
 401397 Wishbone front lower (2)  
 401415 Antirollbar 1.2mm  
 401416 Antirollbar 1.6mm

- 401417 Antirollbar 1.8mm
- 401418 Suspension bracket alu 1.5
- 401419 Suspension bracket alu 2.5
- 401420 Suspension bracket alu 3.5
- 401422 Steeringblock alu L+R
- 401423 C-hub 2 alu L+R
- 401424 C-hub 4 alu L+R
- 401425 C-hub 6 alu L+R
- 401426 Spacer suspension 0.5mm (2)
- 401428 Driveshaft adaptor delrin (2)
- 401433 Weight set brass 5gr - 12gr - 20gr (2+1+1)
- 401434 Bushing smaller bearing (4)
- 401467 Pivot pin front inner TiN (2)
- 401469 Driveshaft-set CVD alu / steel (2)
- 401470 Driveshaft CVD alu (2)
- 401500 Pivotball uni 4.5mm alu (4)
- 401533 Spool nylon 1/10 EP
- 401577 BUMPERplate carbon set S411
- 401585 Suspension bracket alu 0-2
- 401587 Suspension bracket alu 1.0 - 1.0
- 401606 Cvd bushing alu (2)
- 401602 Body-height fine-tuner alu (4)
- 401603 Screwset 411 gray alu 7075 T6 (126)
- 804253 Pivotball 5.8mm alu coated long (4)

### MIDDLE SECTION

- 1606 Antenna rod black (2)
- 401360 Pully middle 19T + spacer (3)
- 401366 Middle shaft alu
- 401399 Bearingmount middleshaft alu
- 401413 Battery mount (4)
- 401464 Battery mount carbon F/R
- 401607 Motormount V4 (3)

### Optionals

- 401427 Pulley 19T alu
- 401433 Weight set brass 5gr - 12gr - 20gr (2+1+1)
- 401566 Battery strap velcro

### REAR SECTION

- 1652 Steel balls 5.8mm long (4)
- 401024 ball 5mm (10)
- 401358 Stabi collar (2)
- 401381 CVD insert (2)
- 401387 Wheelhexagon 1mm offset (2)
- 401391 Antirollbar ball (2)
- 401392 Bearing excenter (4)
- 401394 CVD driveshaft (2)
- 401403 Pivot pin rear-inner (2)
- 401406 CVD wheelaxle (2)
- 401407 Pivot pin rear-outer (2)
- 401409 Blade (16)
- 401411 Antirollbar bushing (16)
- 401420 Suspension bracket alu 3.5
- 401426 Spacer suspension 0.5mm (2)
- 401430 Camberlink alu (2)
- 401454 Upright hard (2)
- 401497 Antirollbar 1.4mm rear
- 401557 Antiroll bar mount fr/rr (2)
- 401584 Shocktower carbon low rear 411
- 401586 Spacer alu bracket 0.5 (4)
- 401597 Suspension bracket alu 0.5 - 1.5
- 401599 Shocktower mount alu L+R V2
- 401605 Wishbone RR Lw V2 hard (2)
- 401607 Motormount V4 (3)
- 401609 Bearingblock alu light (2)
- 411187 Pivotball with shaft (2)
- 411206 Balljoint 4.5 (4)
- 411207 Balljoint 4.5 short (2)
- 411253 Pivotball uni 4.5mm (4)
- 802361 Bodymount adjustable rear (2)

### Optionals

- 401376 Suspension bracket alu 1
- 401377 Suspension bracket alu 2
- 401378 Suspension bracket alu 3
- 401393 Wishbone rear lower (2)
- 401396 Upright (2)
- 401421 Upright alu (2)

- 401426 Spacer suspension 0.5mm (2)
- 401430 Camberlink alu (2)
- 401433 Weight set brass 5gr - 12gr - 20gr (2+1+1)
- 401434 Bushing smaller bearing (4)
- 401436 Balldiff set
- 401453 Wishbone Rr Lw hard (2)
- 401454 Upright hard (2)
- 401468 Pivot pin rear inner TiNi (2)
- 401500 Pivotball uni 4.5mm alu (4)
- 401469 Driveshaft-set CVD alu / steel (2)
- 401470 Driveshaft CVD alu (2)
- 401496 Antirollbar 1.2mm rear
- 401498 Antirollbar 1.6mm rear
- 401499 Antirollbar 1.8mm rear
- 401587 Suspension bracket alu 1.0 - 1.0
- 804252 Pivotball 5.8mm alu coated (4)
- 401606 Cvd bushing alu (2)
- 401602 Body-height fine-tuner alu (4)
- 401603 Screwset 411 gray alu 7075 T6 (126)
- 804253 Pivotball 5.8mm alu coated long (4)

### TRANSMISSION

- 401351 Belt Kevlar 30S3M510 low friction
- 401353 Belt Kevlar 30S3M186 low friction
- 401359 Pully solid axle 38T
- 401592 Geardiff V3 composite
- 401593 Outdrive alu for geardiff V3 composite (2)
- 401594 Diff gear 10T+18T for geardiff V3 composite (4+2)
- 401595 Geardiff x-shaft for geardiff V3 composite
- 401598 Geardiff housing V3
- 401600 Solid axle alu S411 mono for blades
- 804176 Geardiff x-ring (4)
- 804200 Diffcase O-ring EP (10)
- 401409 Blade (16)
- Optionals**
- 401350 Belt Kevlar 30S3M510

401352 Belt Kevlar 30S3M186  
 401427 Pulley 19T alu  
 401428 Driveshaft adaptor delrin (2)  
 401436 Balldiff set  
 401437 Balldiff shaft female  
 401438 Balldiff shaft male  
 401439 Balldiff nut (2)  
 401440 Balldiff pulley 38T  
 401441 Balldiff spring (4)  
 401442 Balldiff screw (2)  
 401457 Slipper spool pad S411 (2)

**BODY'S**

401501 Body Lex-IS 190mm EFRA 4030  
 401571 Body Lex-IS semi painted 190mm efra 4030  
 401576 Body Lex-IS orange 190mm EFRA 4030  
 401578 Body Lex-IS orange S411 pre cut EFRA 4030  
 401579 Body Lex-IS red S411 pre cut EFRA 4030  
 401580 Body Lex-IS blue S411 pre cut EFRA 4030  
 401581 Body Lex-IS green S411 pre cut EFRA 4030

**RIMS**

401567 Rim 1/10 ep White (4)  
 401568 Rim 1/10 ep Yellow (4)  
 401569 Rim 1/10 ep Orange (4)

**BALL-BEARINGS**

1314 Ballbearing 6x12x4 (2)  
 1311 Ballbearing 5x8x2.5 (2)  
 1315 Ballbearing 5x10x4 (2)  
 1344 Ballbearing 10x15x4 (2)  
 1397 Ballbearing 8x12x3.5 SS (2)

**Spur Gears**

120005 Spur gear 64P / 92T  
 120006 Spur gear 64P / 96T  
 120007 Spur gear 64P / 100T  
 120008 Spur gear 64P / 104T

120009 Spur gear 64P / 108T  
 120010 Spur gear 64P / 112T  
 120011 Spur gear 64P / 116T  
 120015 Spur gear 48P / 69T  
 120016 Spur gear 48P / 72T  
 120017 Spur gear 48P / 75T  
 120018 Spur gear 48P / 78T  
 120019 Spur gear 48P / 81T  
 120020 Spur gear 48P / 84T  
 120021 Spur gear 48P / 87T

**Pinions**

120105 Motor-pinion alu hard 64P / 18T  
 120106 Motor-pinion alu hard 64P / 19T  
 120107 Motor-pinion alu hard 64P / 20T  
 120108 Motor-pinion alu hard 64P / 21T  
 120109 Motor-pinion alu hard 64P / 22T  
 120110 Motor-pinion alu hard 64P / 23T  
 120111 Motor-pinion alu hard 64P / 24T  
 120112 Motor-pinion alu hard 64P / 25T  
 120113 Motor-pinion alu hard 64P / 26T  
 120114 Motor-pinion alu hard 64P / 27T  
 120115 Motor-pinion alu hard 64P / 28T  
 120116 Motor-pinion alu hard 64P / 29T  
 120117 Motor-pinion alu hard 64P / 30T  
 120118 Motor-pinion alu hard 64P / 31T  
 120119 Motor-pinion alu hard 64P / 32T  
 120120 Motor-pinion alu hard 64P / 33T  
 120121 Motor-pinion alu hard 64P / 34T  
 120122 Motor-pinion alu hard 64P / 35T  
 120123 Motor-pinion alu hard 64P / 36T  
 120124 Motor-pinion alu hard 64P / 37T  
 120125 Motor-pinion alu hard 64P / 38T  
 120126 Motor-pinion alu hard 64P / 39T  
 120127 Motor-pinion alu hard 64P / 40T  
 120128 Motor-pinion alu hard 64P / 41T  
 120129 Motor-pinion alu hard 64P / 42T  
 120130 Motor-pinion alu hard 64P / 43T  
 120131 Motor-pinion alu hard 64P / 44T

120132 Motor-pinion alu hard 64P / 45T  
 120133 Motor-pinion alu hard 64P / 46T  
 120134 Motor-pinion alu hard 64P / 47T  
 120135 Motor-pinion alu hard 64P / 48T  
 120136 Motor-pinion alu hard 64P / 49T  
 120137 Motor-pinion alu hard 64P / 50T  
 120138 Motor-pinion alu hard 64P / 51T  
 120139 Motor-pinion alu hard 64P / 52T  
 120150 Motor-pinion alu hard 48P / 12T  
 120151 Motor-pinion alu hard 48P / 13T  
 120152 Motor-pinion alu hard 48P / 14T  
 120153 Motor-pinion alu hard 48P / 15T  
 120154 Motor-pinion alu hard 48P / 16T  
 120155 Motor-pinion alu hard 48P / 17T  
 120156 Motor-pinion alu hard 48P / 18T  
 120157 Motor-pinion alu hard 48P / 19T  
 120158 Motor-pinion alu hard 48P / 20T  
 120159 Motor-pinion alu hard 48P / 21T  
 120160 Motor-pinion alu hard 48P / 22T  
 120161 Motor-pinion alu hard 48P / 23T  
 120162 Motor-pinion alu hard 48P / 24T  
 120163 Motor-pinion alu hard 48P / 25T  
 120164 Motor-pinion alu hard 48P / 26T  
 120165 Motor-pinion alu hard 48P / 27T  
 120166 Motor-pinion alu hard 48P / 28T  
 120167 Motor-pinion alu hard 48P / 29T  
 120168 Motor-pinion alu hard 48P / 30T  
 120169 Motor-pinion alu hard 48P / 31T  
 120170 Motor-pinion alu hard 48P / 32T  
 120171 Motor-pinion alu hard 48P / 33T  
 120172 Motor-pinion alu hard 48P / 34T  
 120173 Motor-pinion alu hard 48P / 35T  
 120174 Motor-pinion alu hard 48P / 36T  
 120175 Motor-pinion alu hard 48P / 37T  
 120176 Motor-pinion alu hard 48P / 38T  
 120177 Motor-pinion alu hard 48P / 39T  
 120178 Motor-pinion alu hard 48P / 40T  
 120179 Motor-pinion alu hard 48P / 61T  
 120180 Motor-pinion alu hard 48P / 62T

**FASTNERS**

110101	Screw allen countersunk m4x8 (10)	110136	Screw allen countersunk M2.5x8 (10)	110173	Screw ph countersunk widethread 2.5x12 (10)
110102	Screw allen countersunk m4x10 (10)	110137	Setscrew allen M3x6 (10)	110174	Screw allen countersunk M4x6 (10)
110103	Screw allen countersunk m4x16 (10)	110138	Screw allen countersunk M4x14 (10)	110175	Screw allen cilinderhead M3x40 (10)
110104	Screw allen countersunk m3x8 (10)	110139	Screw allen countersunk M3x40 (10)	110176	Screw allen cilinderhead M3x18 (10)
110105	Screw allen countersunk m4x12 (10)	110140	Screw allen roundhead M3x20 (10)	110177	Screw allen roundhead M4x12 (10)
110106	Screw allen flanged roundhead m5x12 (10)	110141	Screw allen roundhead M3x22 (10)	110178	Screw allen cilinderhead M3x14 (10)
110107	Screw allen cilinderhead m3x16 (10)	110142	Screw allen roundhead M3x25 (10)	110179	Screw allen roundhead M2.5x8 (10)
110108	Screw allen roundhead m3x6 (10)	110143	Screw allen roundhead M4x18 (10)	110180	Setscrew allen M5x10 (10)
110109	Screw allen roundhead m3x10 (10)	110144	Screw allen roundhead M3x18 (10)	110181	Screw M5x10 + Nut nylon black (4+4)
110110	Screw allen roundhead m3x16 (10)	110145	Screw allen roundhead flanged M3x12 (10)	110182	Screw allen roundhead M2x4 (10)
110111	Screw allen roundhead m3x14 (10)	110146	Screw allen roundhead flanged M3x16 (10)	110183	Screw allen countersunk M3x10 (10)
110112	Screw allen roundhead m3x12 (10)	110147	Screw ph roundhead M2.5x5 (10)	110184	Screw allen countersunk M3x14 (10)
110113	Screw allen roundhead m4x8 (10)	110148	Setscrew allen M5x4 (10)	110185	Screw allen cilinderhead M3x30 (10)
110114	Setscrew allen m3x8 (10)	110149	Screw allen countersink M2x10 (10)	110186	Screw allen cilinderhead M3x35 (10)
110115	Setscrew allen m3x4 (10)	110150	Screw M6x12 nylon black (2)	110187	Setscrew allen M3x16 (10)
110116	Setscrew allen m3x3 (10)	110151	Screw allen cilinderhead M4x10 (10)	110200	Pin 2.5x8 (10)
110117	Setscrew allen m3x12 (10)	110152	Screw allen cilinderhead M3x8 (10)	110201	Pin 3x12 (10)
110118	Setscrew allen m4x4 (10)	110153	Screw allen roundhead M2.3x4(10)	110202	Pin 5x5 (10)
110119	Setscrew allen m4x6 (10)	110154	Setscrew allen M3x10 (10)	110203	Pin 3x14 (10)
110120	Setscrew allen m4x10 (10)	110155	Setscrew allen M3x5 (10)	110204	Pin 3x20 (10)
110121	Setscrew allen m5x6 (10)	110156	Screw allen countersunk M2.2x6 (10)	110205	Pin 3x22 (10)
110122	Screw allen countersunk m3x6 (10)	110157	Screw allen countersunk M3x5 (10)	110206	Pin 2.5x22 (10)
110123	Screw philips roundhead 3.5x13 (10)	110158	Screw allen countersunk M3x15 (10)	110207	Pin 2.5x12 (10)
110124	Screw allen roundhead m3x8 (10)	110159	Screw allen countersunk M3x18 (10)	110208	Pin nra 2x9.8 (4)
110125	Screw allen countersunk m3x20 (10)	110160	Screw allen cilinderhead M2.2x12 (10)	110209	Pin nra 2x18 (4)
110126	Screw allen countersunk m2.5x12 (10)	110161	Screw allen cilinderhead M2x6 (10)	110210	Pin 3x13 (10)
110127	Screw allen countersunk m3x12 (10)	110162	Setscrew allen M3x2.5 (10)	110211	Pin 2.5x13 (10)
110128	Screw allen roundhead m3x5 (10)	110163	Setscrew allen M3x2 (10)	110212	Pin 2.5x17 (10)
110129	Screw allen cilinderhead m3x10 (10)	110164	Screw allen roundhead M3x4 (10)	110213	Pin 2.5x10 (10)
110130	Screw allen roundhead m2.5x6 (10)	110165	Screw allen cilinderhead M2x5 (10)	110214	Pin 3x15 (10)
110131	Screw allen roundhead m2.5x10 (10)	110166	Screw allen countersunk M2.5x5 (10)	110215	Pin 2x12 (10)
110132	Screw allen countersunk m3x16 (10)	110167	Screw allen roundhead flanged M3x18(10)	110216	Pin 2.5x15 (10)
110133	Screw philipshead countersunk 2.5x8 wide (10)	110168	Screw allen roundhead flanged M3.5x10 (10)	110217	Pin 2x9 (10)
110134	Screw philipshead countersunk 2.5x10 wide (10)	110169	Screw allen roundhead flanged M4x10(10)	110218	Pin 3x10 (10)
110135	Screw allen countersunk M2.5x10 (10)	110170	Screw allen roundhead flanged M3x28(10)	110219	Pin 2x14 (10)
		110171	Screw ph roundhead widethread 2.5x6(10)	110220	Pin 1.5x8 (10)
		110172	Screw allen roundhead flanged M3X6 (10)	110221	Pin 1.7x7.6 (10)
				110222	Pin 1.7x8.5 (10)







S411 ERYX 3.0

**SERPENT**

[www.serpent.com](http://www.serpent.com) - [info@serpent.com](mailto:info@serpent.com)



© Serpent #1-2014