



**INSTRUCTION MANUAL  
& REFERENCE GUIDE**



## INTRODUCTION

The Serpent 977 Viper is the next evolution of Serpent's hugely-successful 1/8 scale onroad lineage, combining ultimate performance into a single package. The Serpent 977 was designed to be a world champion, while still being easy to use, assemble, and set up.

You are now part of the worldwide network of Serpent drivers, which gives you superior technical support and access to many benefits that only Serpent drivers can enjoy.

The Serpent 977 offers many of the same specifications and features that made the previous Serpent 1/8 scale cars into top-competition racecars. Continuously pushing the performance envelope, Serpent's engineers have added many new and innovative features that can help take your Serpent 977 into the winner's circle. The feedback of drivers and the test and race results of the past season assisted to create this Serpent 977 VIPER 1/8 scale onroad racing taken to the next level.

*Enjoy the build, set-up and racing!*

Team Serpent

## SERPENT.COM

The printed instruction manual included with your Serpent 977 kit is very complete, though due to continuous product development, more up-to-date information may be provided at our **Serpent.com** website. All information about the Serpent 977 is accessible from the Serpent 977 product page which can be found on Serpent.com and can be accessed by simply typing **serpent.com/903012** into your web browsers address bar or scan the RFQ-code on the back of this manual.

From the Serpent 977 product page you will find the very latest information about your Serpent 977: reports by team drivers and other experts, tips and tricks, setups, image gallery and downloadable files including the latest version of the instruction manual, (editable) set-up sheets and more will be made available as downloadable PDFfiles.

## CONTENTS

Introduction	2
How to use the manual/read this first	3
Assembly manual	4
Exploded views	35
Parts list	44

## INSTRUCTIONS

Serpent's long tradition of excellence extends to their instruction manuals, and this instruction manual is no exception. The easy-to-follow layout is richly illustrated with 3D-rendered fullcolor images to make your building experience quick and easy. Following the instructions will result in a well-built, high-performance racecar that will soon be able to unleash its full potential at the racetrack.

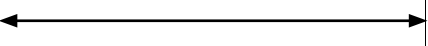







This instruction manual has been divided into sections that will logically lead you through the assembly process of your Serpent car. Follow the assembly steps in the order presented to ensure that no issues occur during assembly. Each step indicates all the fasteners and small parts used. Bag numbers identify the kit bag(s) that contains the appropriate parts. Before going to each next step of building make sure all assembled pivot-joints and rotating parts are moving freely without too much slob. Premature damage or unusual handling may occur when pivoting parts and assemblies can't move freely.


## Read this first!


- This is a highly technical hobby product, intended to be used in a safe racing environment. This car is capable of speeds in excess of 100 km/h or 60mph. Please follow these guidelines when building and operating this model.
- Parental guidance is required when the builder/user of this car is under 16.
- Follow the building instructions. If in doubt, contact your dealer or importer.
- Be sure to use the proper tools when assembling the car. Always exercise caution when using electric tools, knives and other sharp objects.
- Be careful when using liquids like lubrication oil, fuel or glue. Do not swallow.
- Follow the manufacturer's instruction in case you experience irritation after using the product.
- Be careful when operating the car. Stay away from any rotating parts such as wheels, gears and transmission. Stay away from motor, engine and exhaust pipe system or speedo during and immediately after use, as these parts may be very hot. We advise to use protective hand gloves.
- Only operate this car in a safe environment, like a special racing track or a closed parking lot. Avoid using this car on public roads, crowded places or near infants.
- Before operating this car, always check the mechanical status of the car. Also check that the transmitter and receiver frequencies correspond and are not used by any other racer at the same time. Check that the batteries of the transmitter and receiver- are fully charged.
- After use, always check all the mechanics of the car. We advise to clean the car immediately after use, and inspect the parts for wear or fractures. Replace when necessary. Do not use water, methanol, thinner or other solvents to clean the car.
- Empty the fuel tank (depending on model) if needed and disconnect the receiver battery.
- Store the car in a dry and heated place to avoid corrosion of metal parts.
- Avoid using this car in wet conditions as the water will cause corrosion on the metal parts and bearings and these parts will cease to function properly. If driven in the wet, ensure that all the electric equipment is waterproofed and after use, that all moving parts are dried immediately.


## USING THE MANUAL

Each step contains a variety of numbers, lines, and symbols. The numbers represent the order in which the parts should be assembled. The lines and symbols are described below.


①	Step number; the order in which you should assemble the indicated parts
	Length after assembly
	Assembly path of one item into another
	Group of items (within lines) should be assembled first
	Direction the item should be moved
	Glue one item to another
	Press/Insert one item into another
	Connect one item to another
	Gap between two items

 Apply graphite grease (GR),

 threadlock (TL),

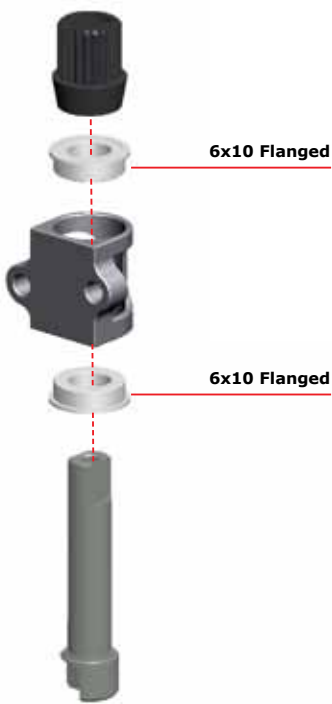
 CA glue (CA),

 One-way Lube (OW),

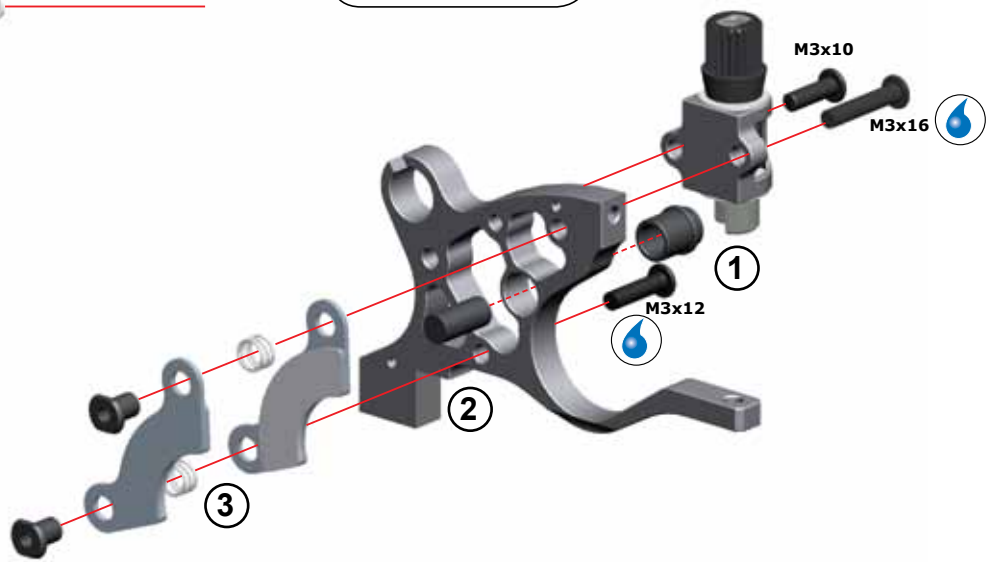
 silicon oil. (Items not included.)

STEP 1

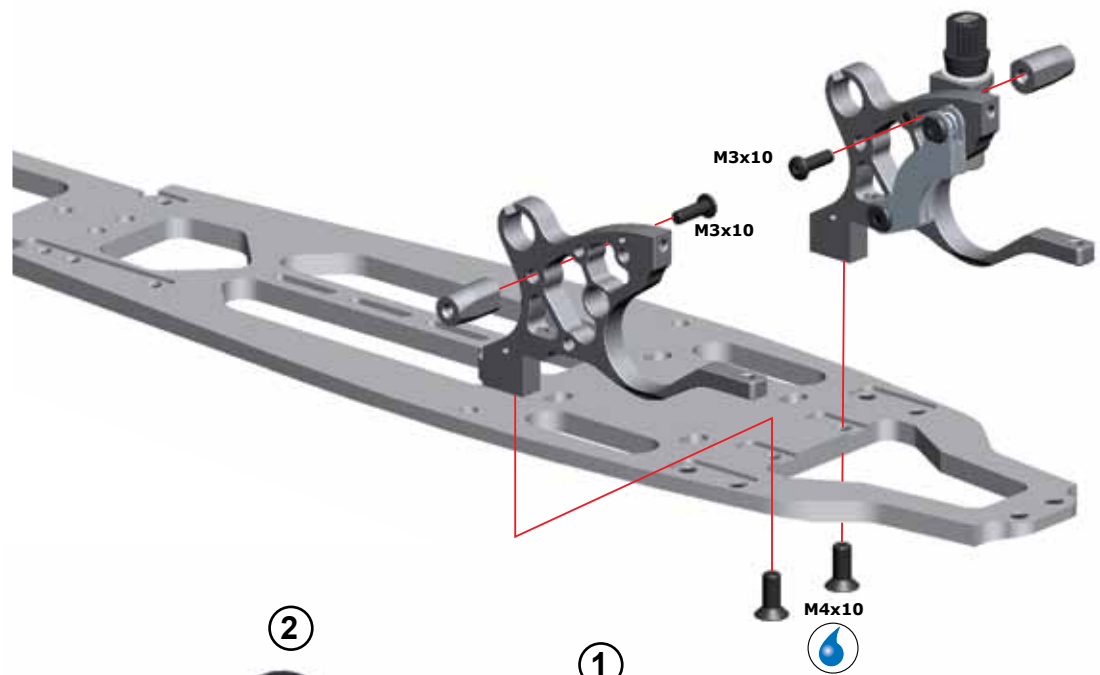
Bag 1



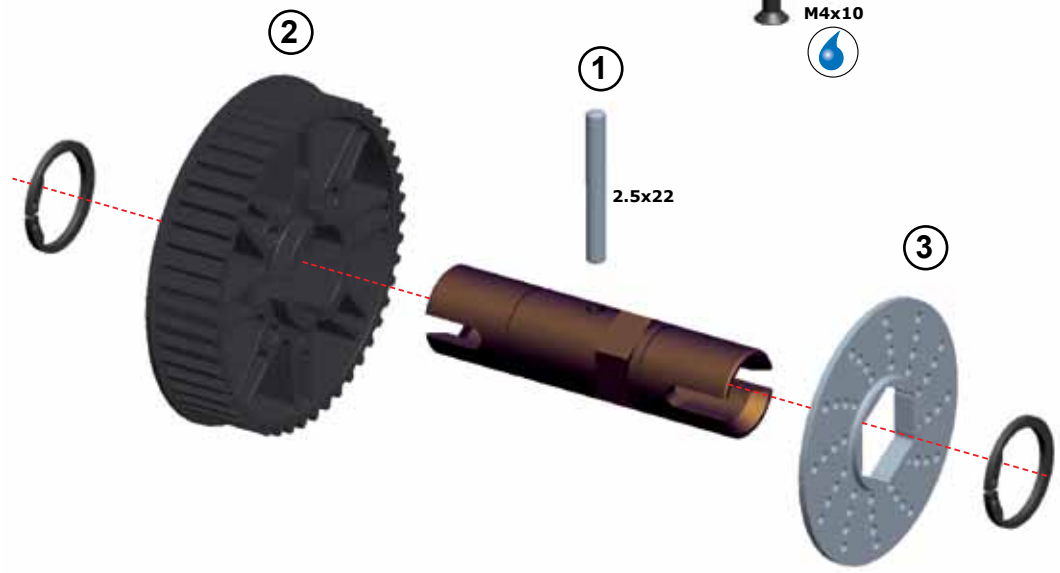
STEP 2



STEP 3



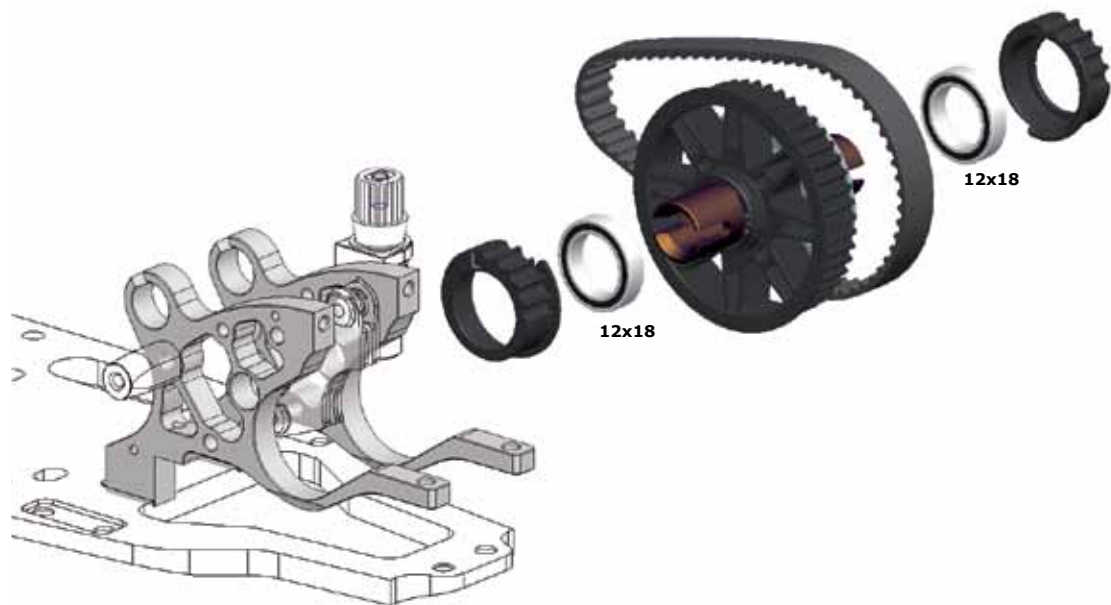
STEP 4



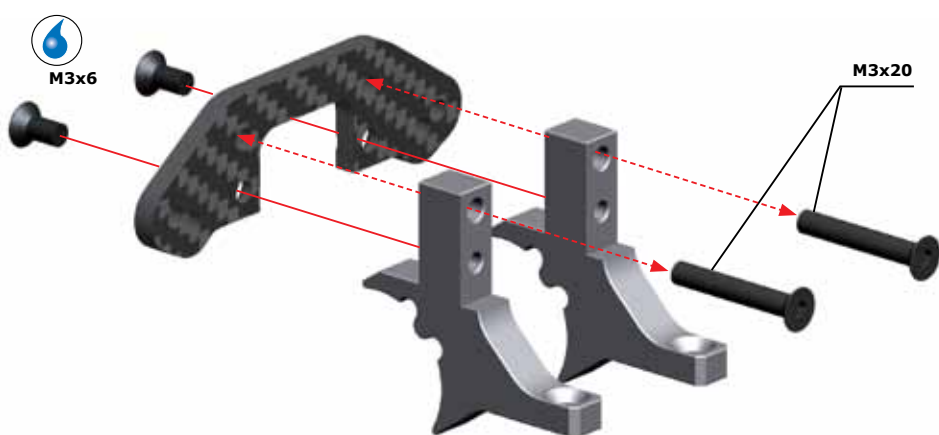
LLS

4

STEP 5

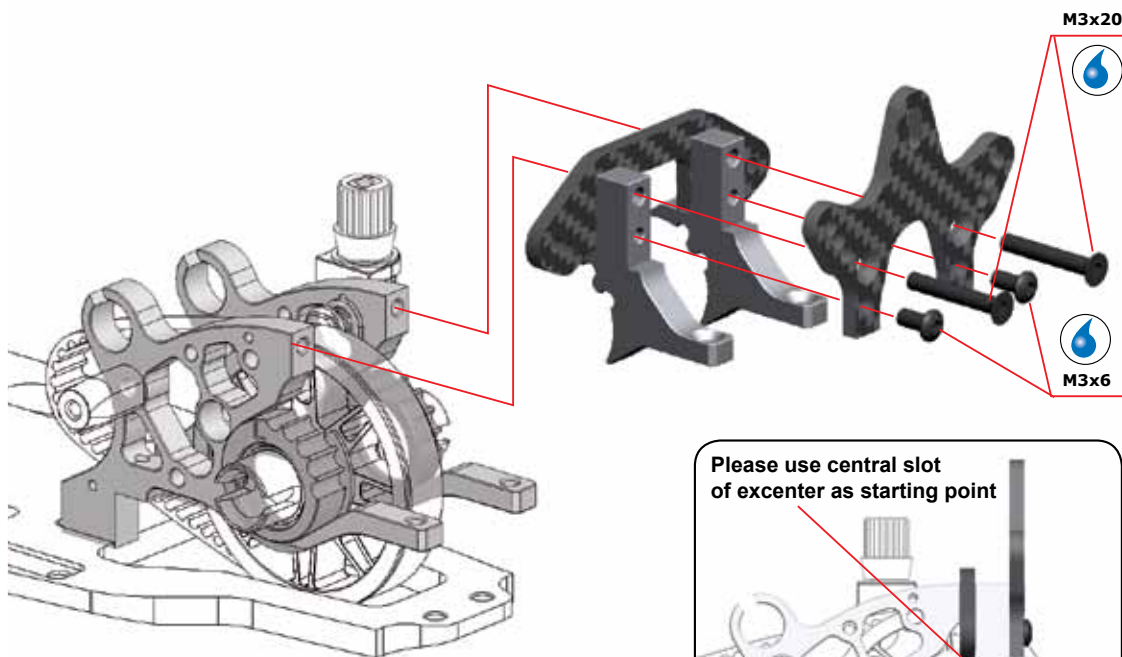


STEP 6



**NOTE:**  
 Assemble M3x20 screws to align the camber bracket.  
 Remove them again after M3x6 are mounted,  
 so you can proceed with step 7

STEP 7

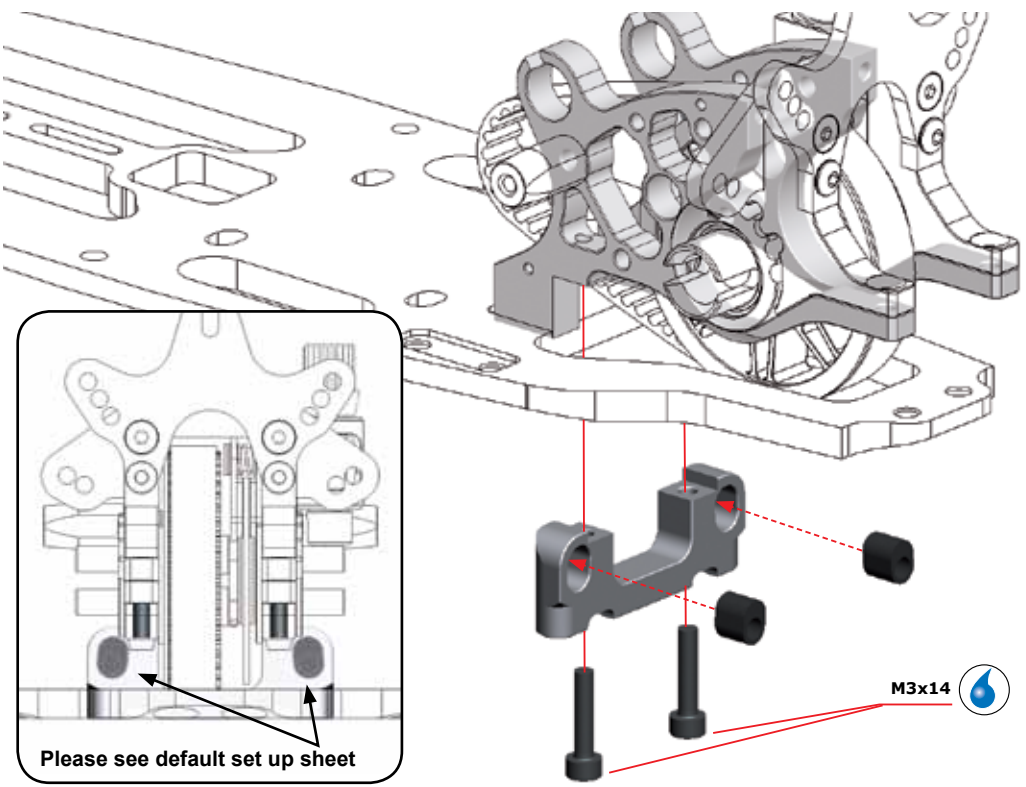


Please use central slot  
 of excenter as starting point



STEP 8

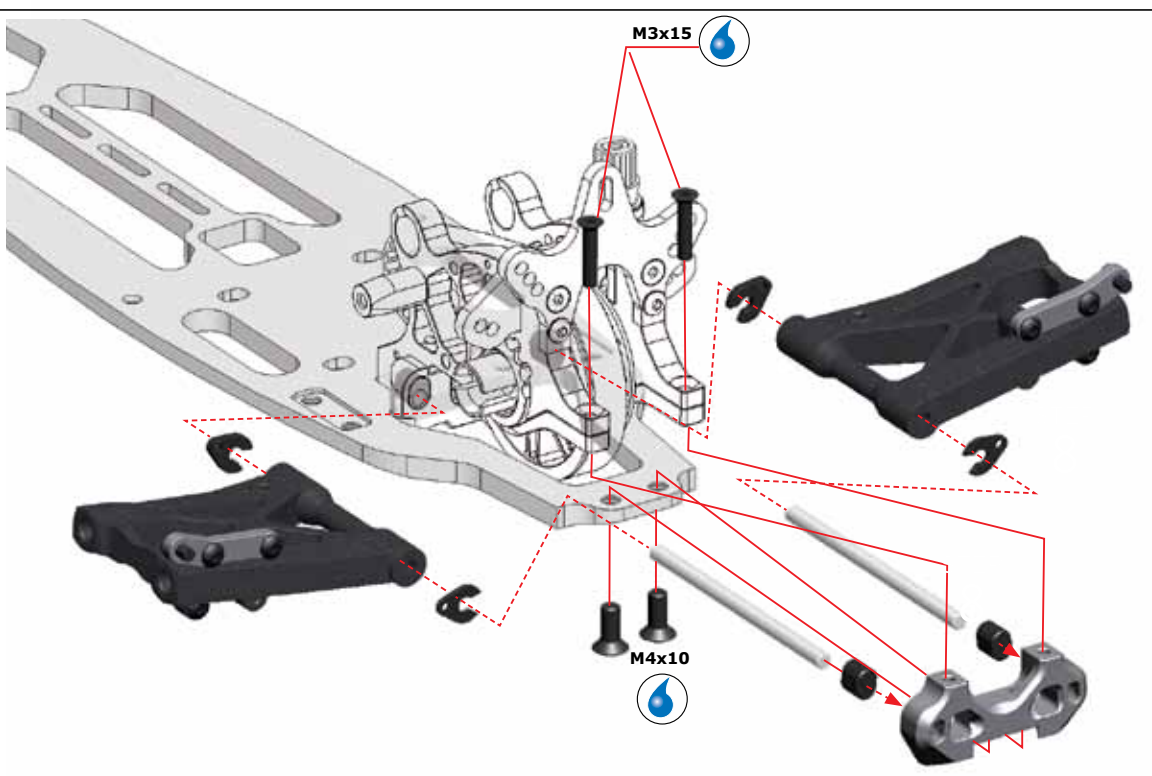
Bag 2



STEP 9



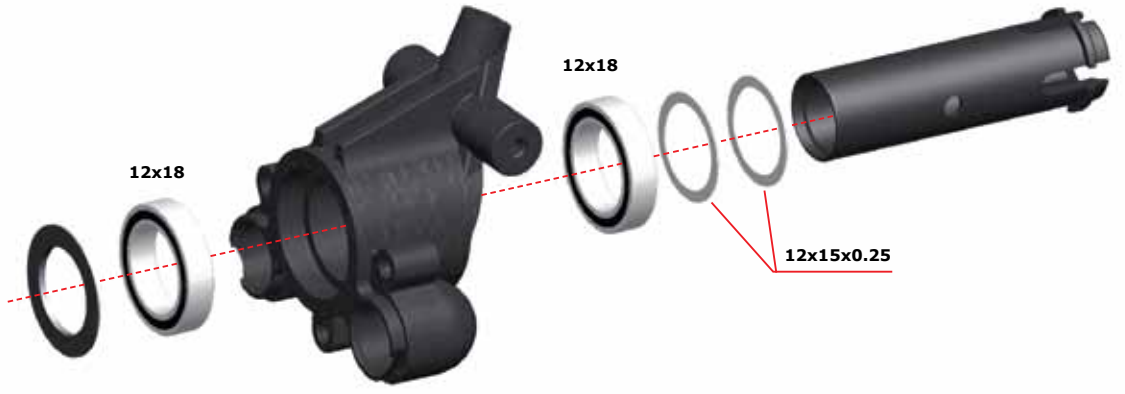
STEP 10



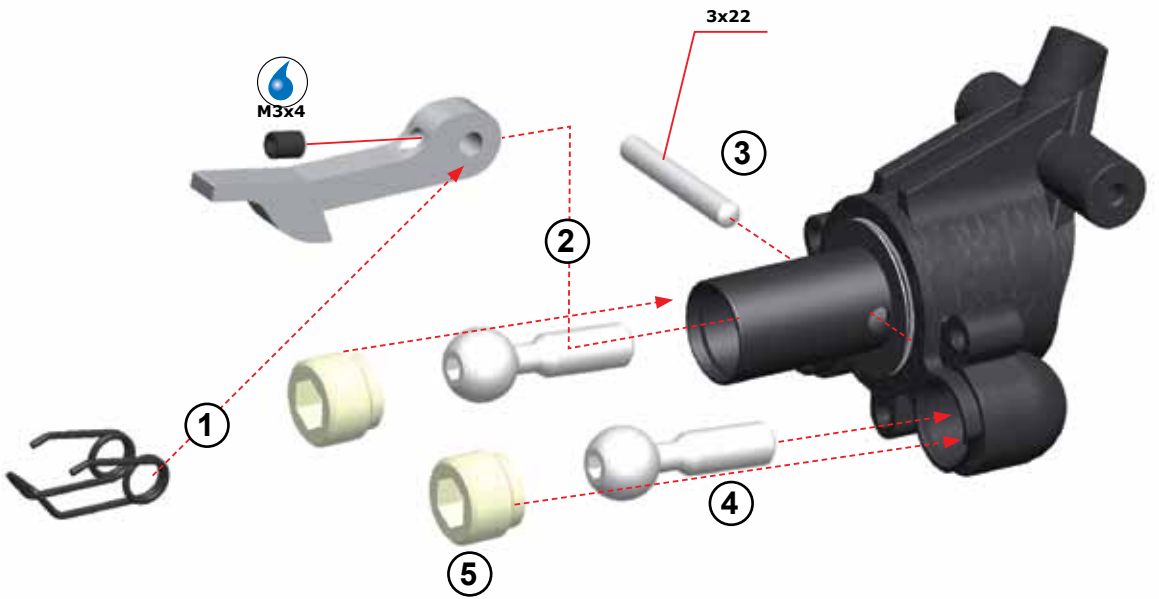
475

6

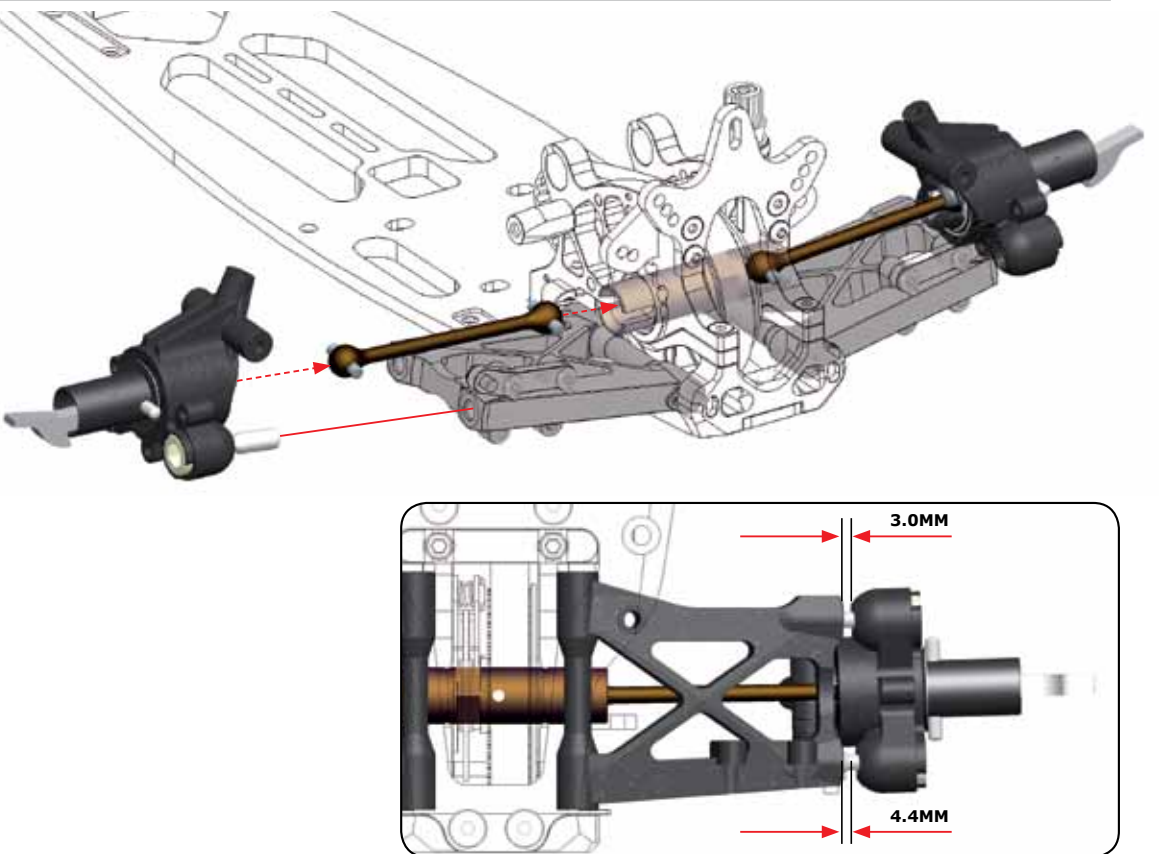
STEP 11



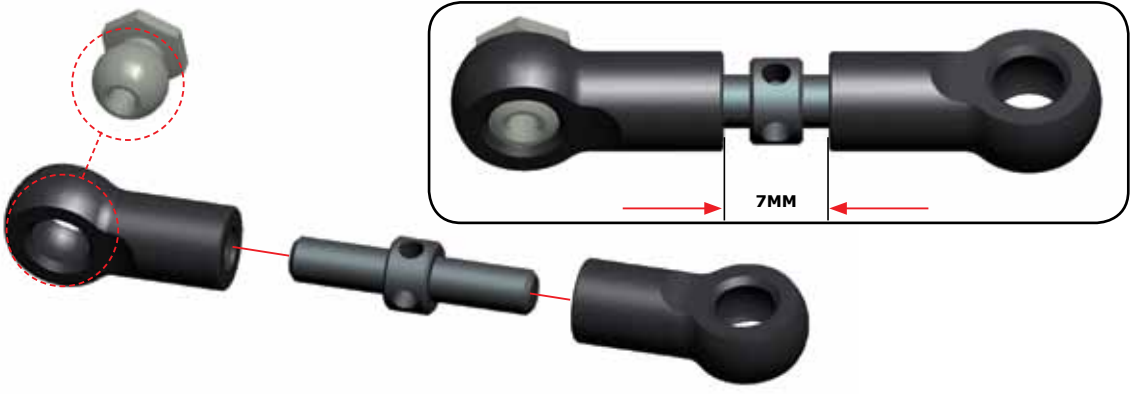
STEP 12



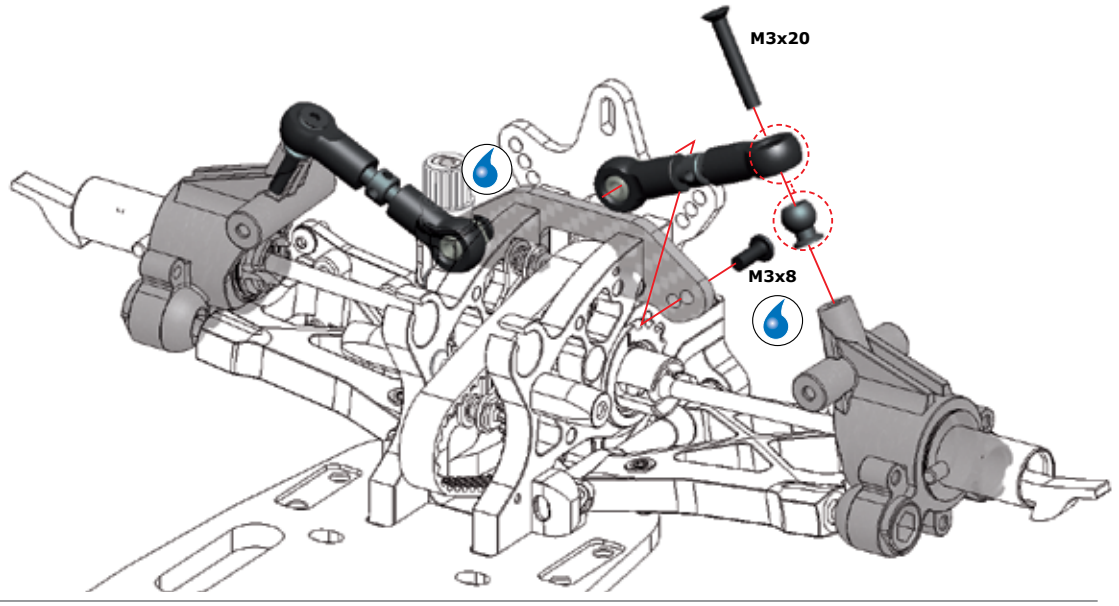
STEP 13



STEP  
14

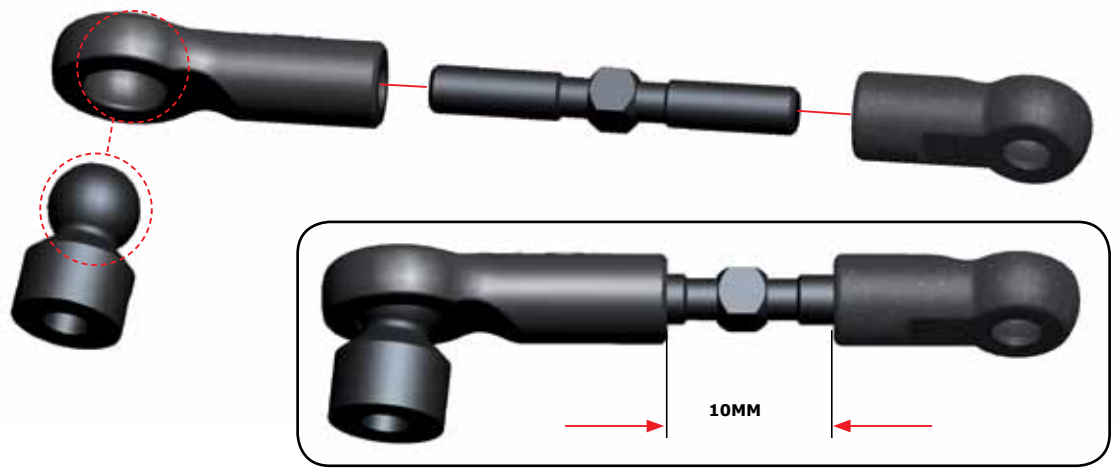


STEP  
15

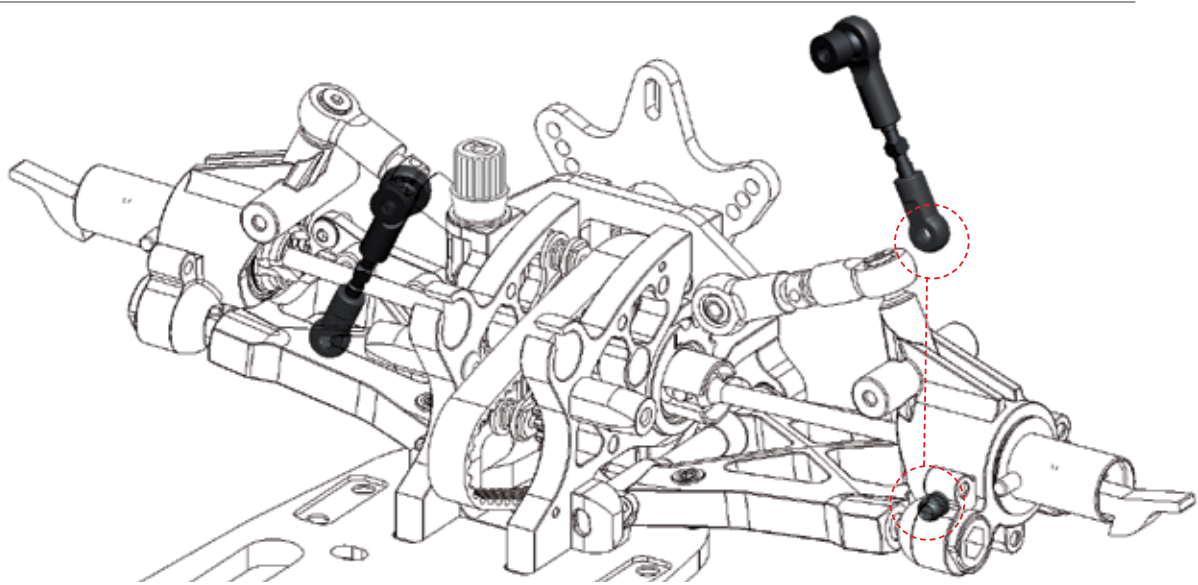


STEP  
16

Bag  
3



STEP  
17



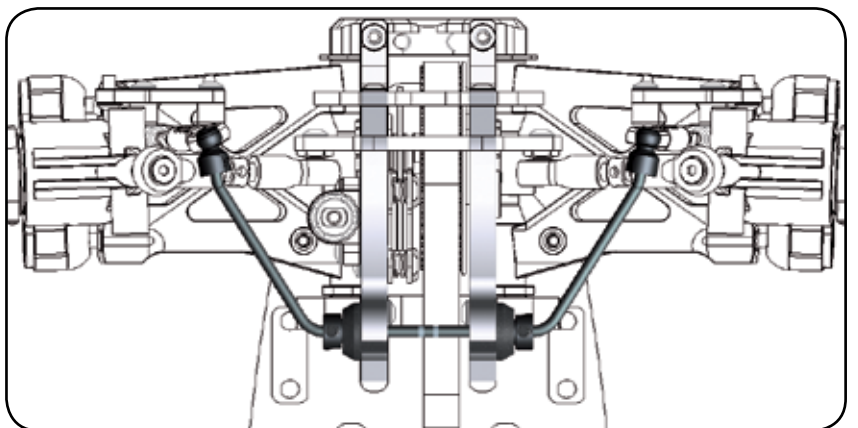
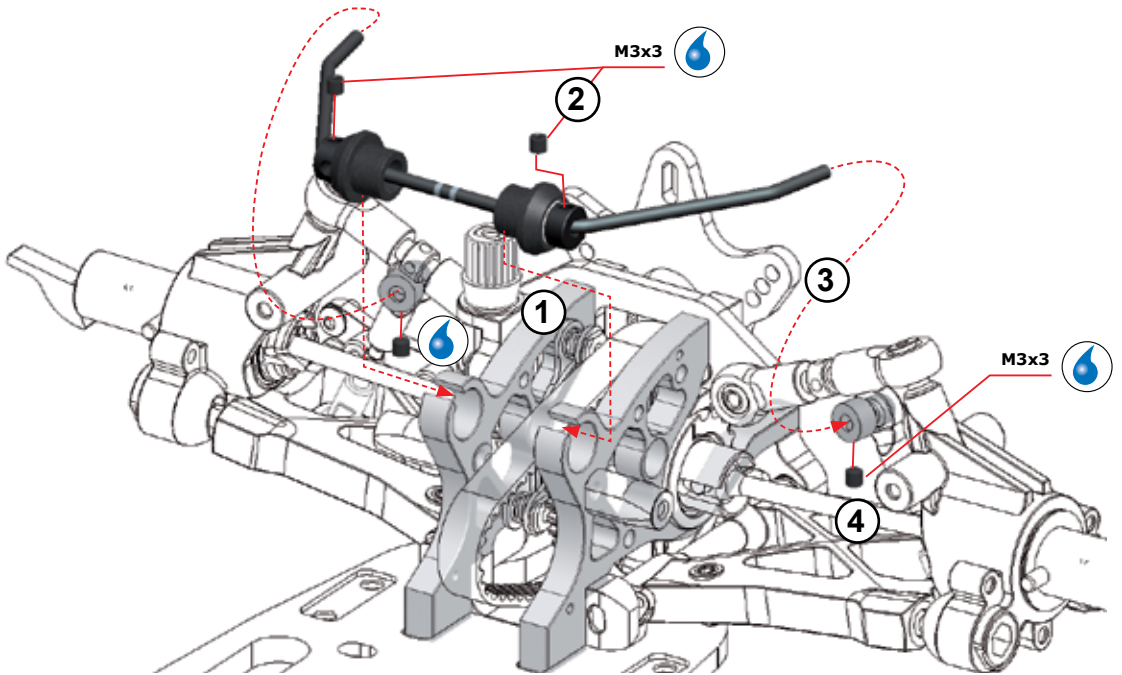
LLS  
977



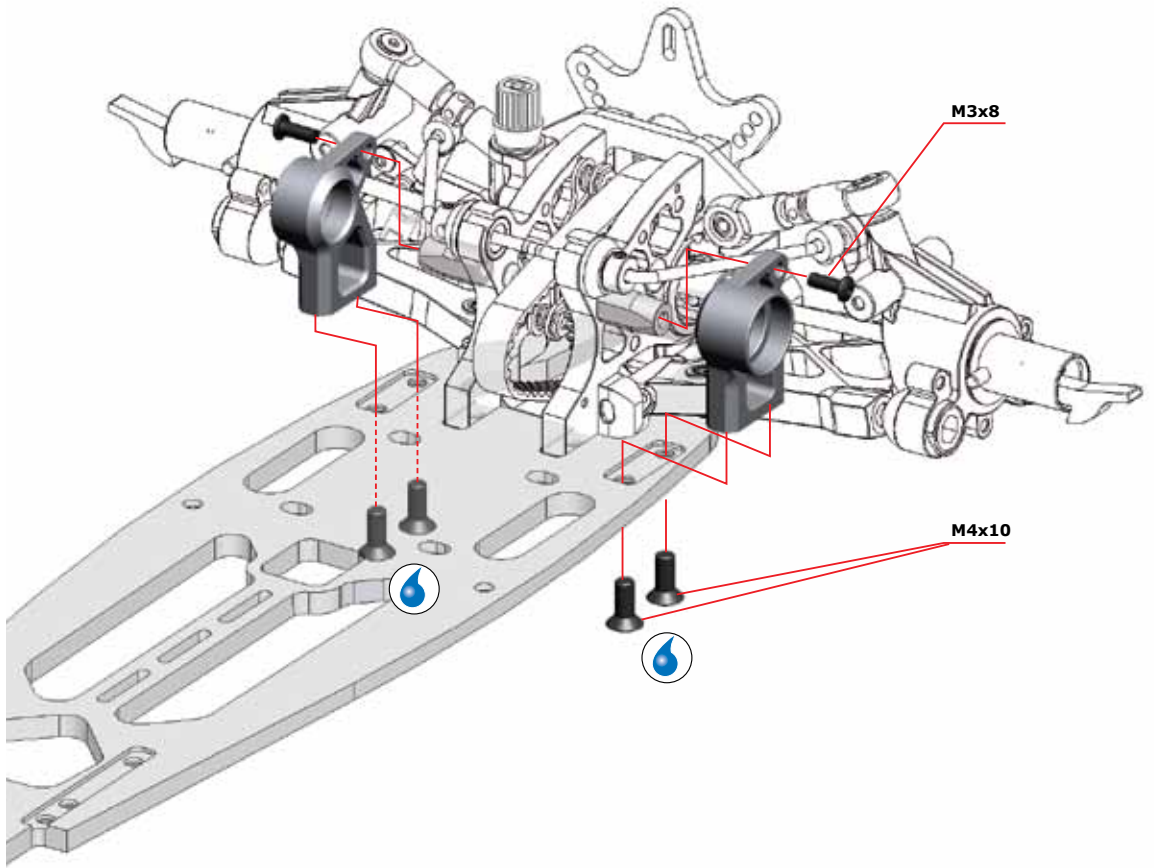
STEP  
18



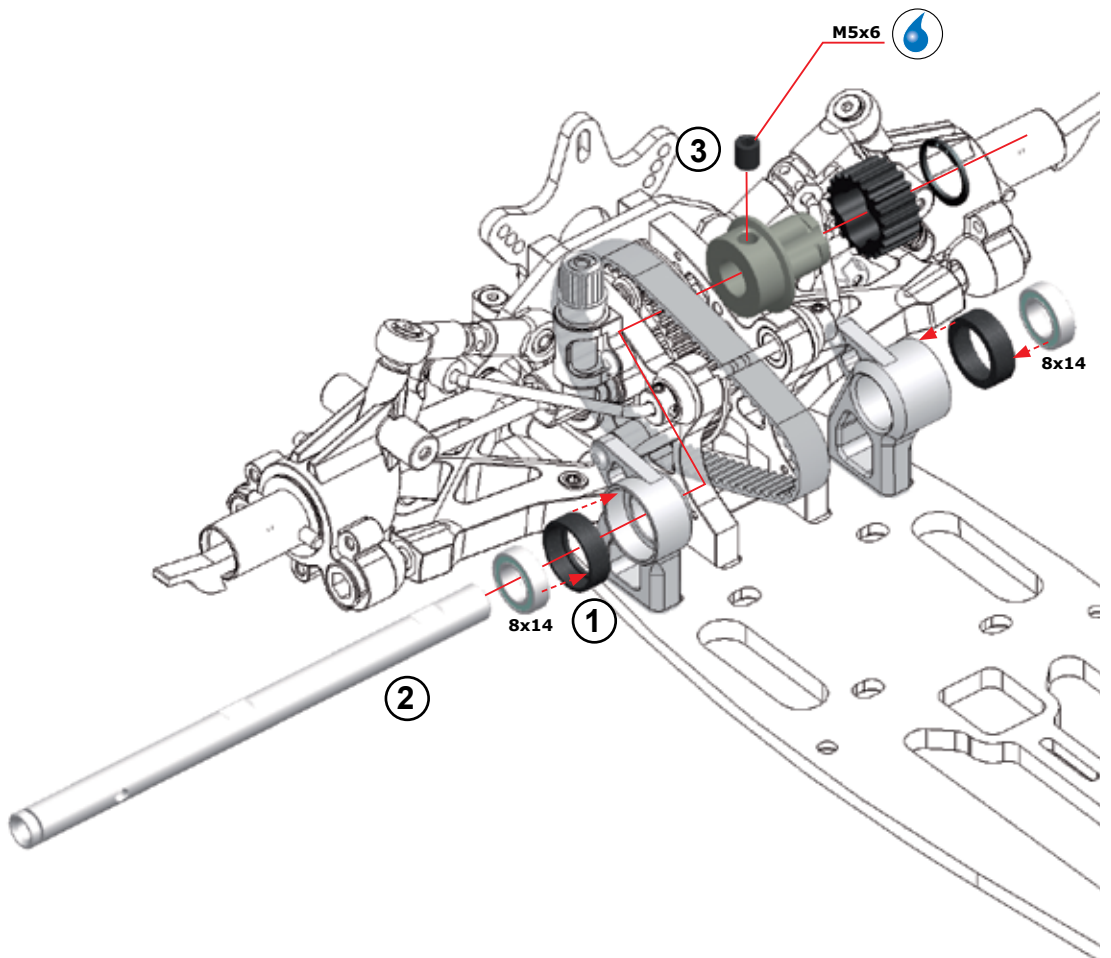
STEP  
19



STEP  
20

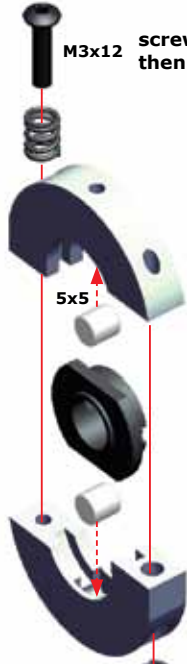


STEP  
21



STEP 22

SHIFT POINT SCREW



M3x12 screw in all the way, then unscrew 3 turns

5x5



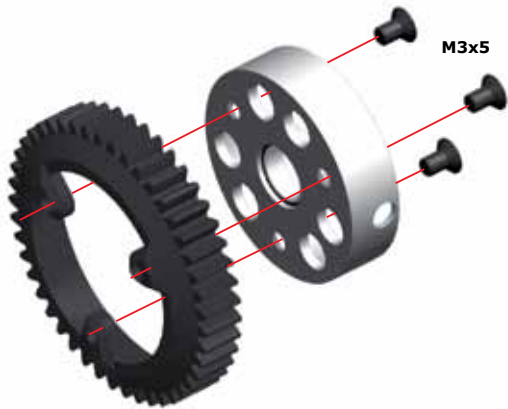
Turn in all the way then unscrew 3 turns

SHIFT POINT SCREW



M3x12 screw in all the way, then unscrew 3 turns

STEP 23



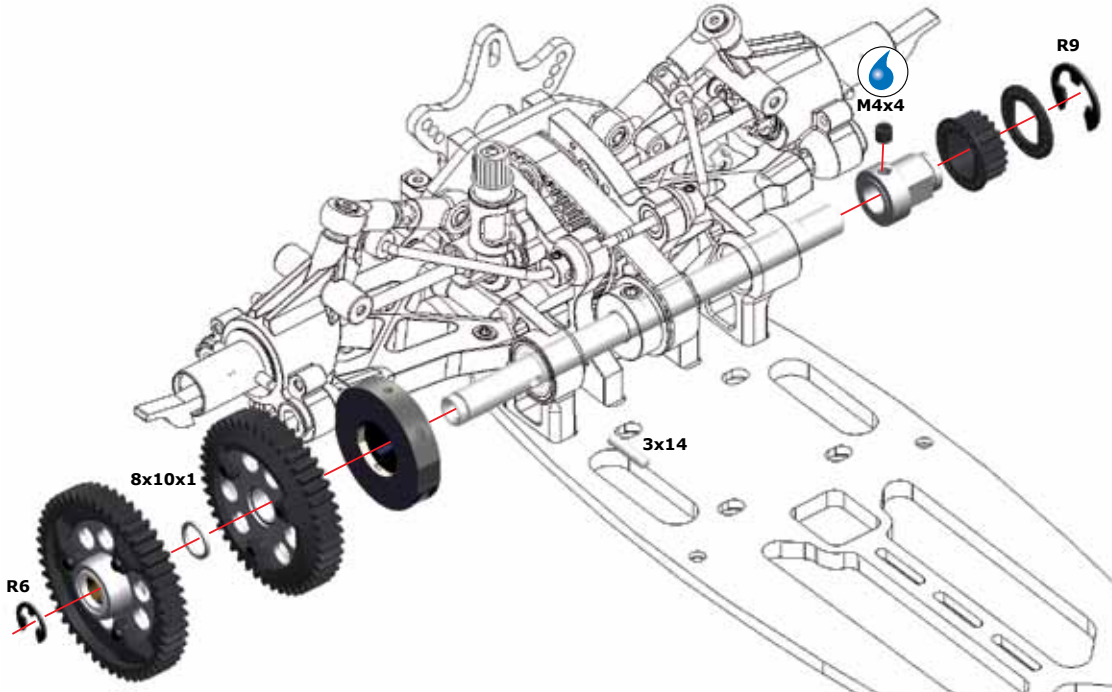
M3x5

STEP 24



M3x6

STEP 25



M4x4

R9

3x14

8x10x1

R6

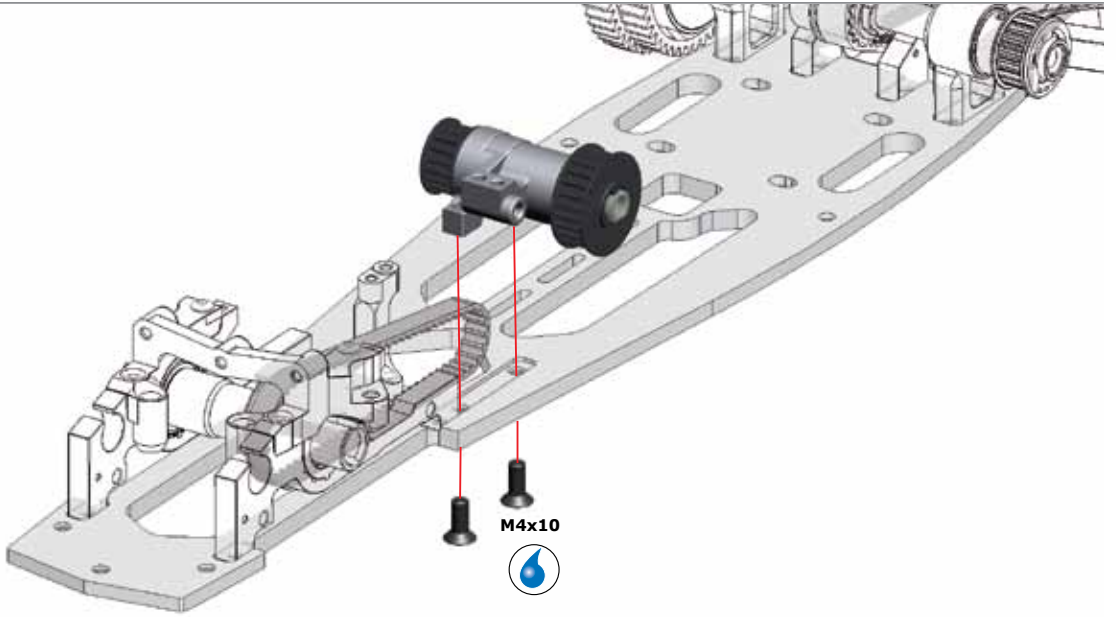




STEP  
29



STEP  
30



STEP  
31

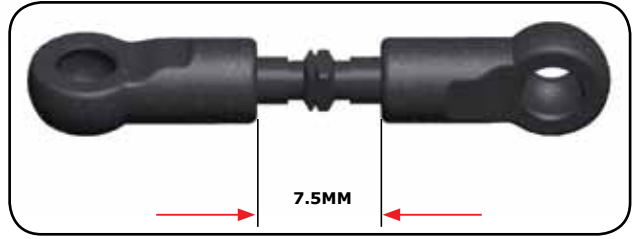


STEP  
32

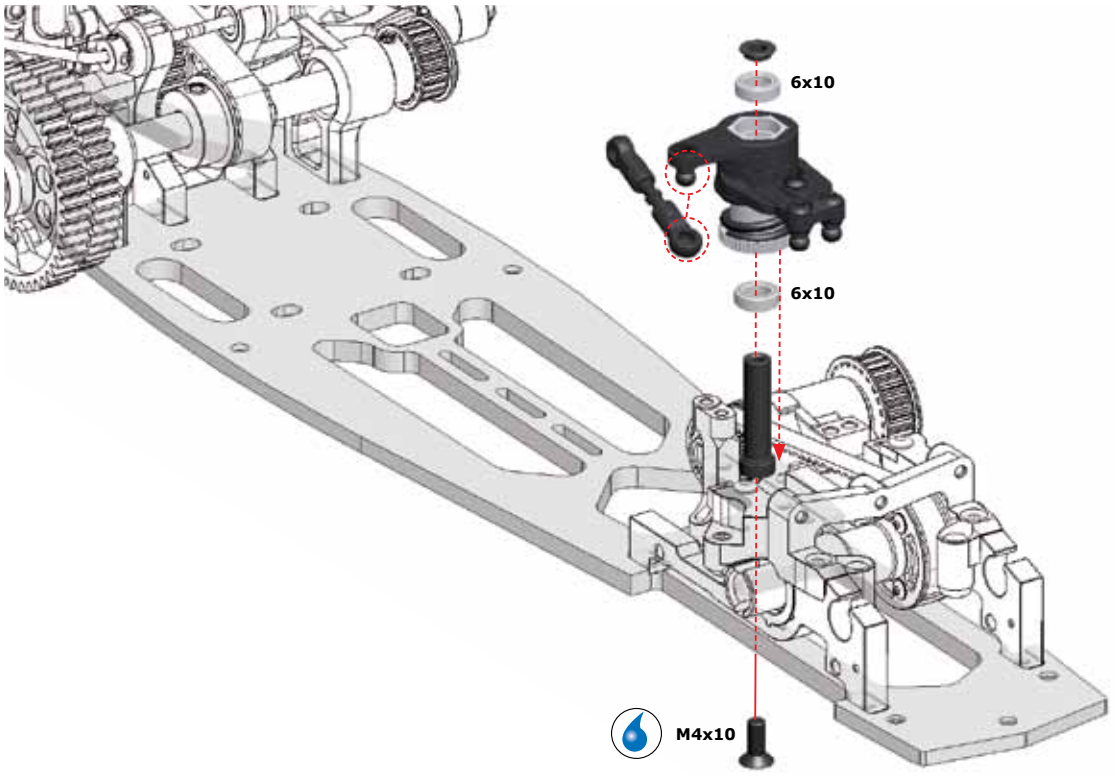




STEP  
33

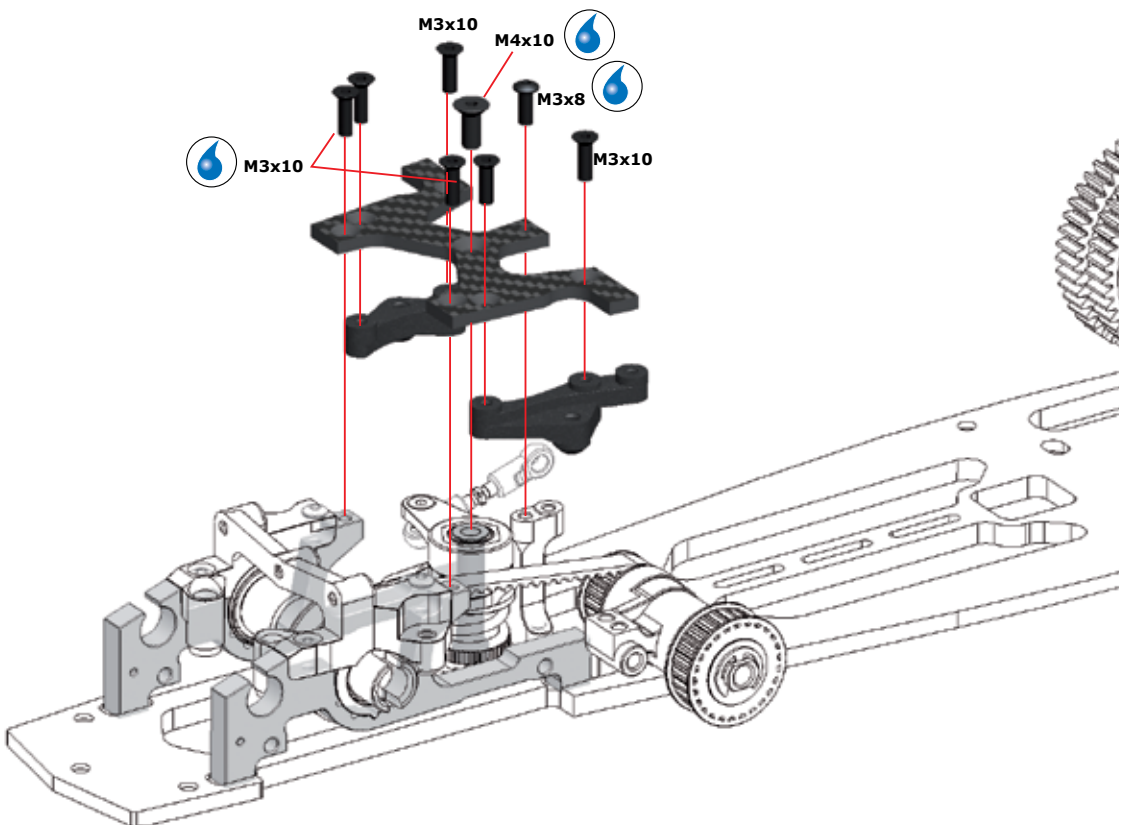


STEP  
34



STEP  
35

Bag  
5



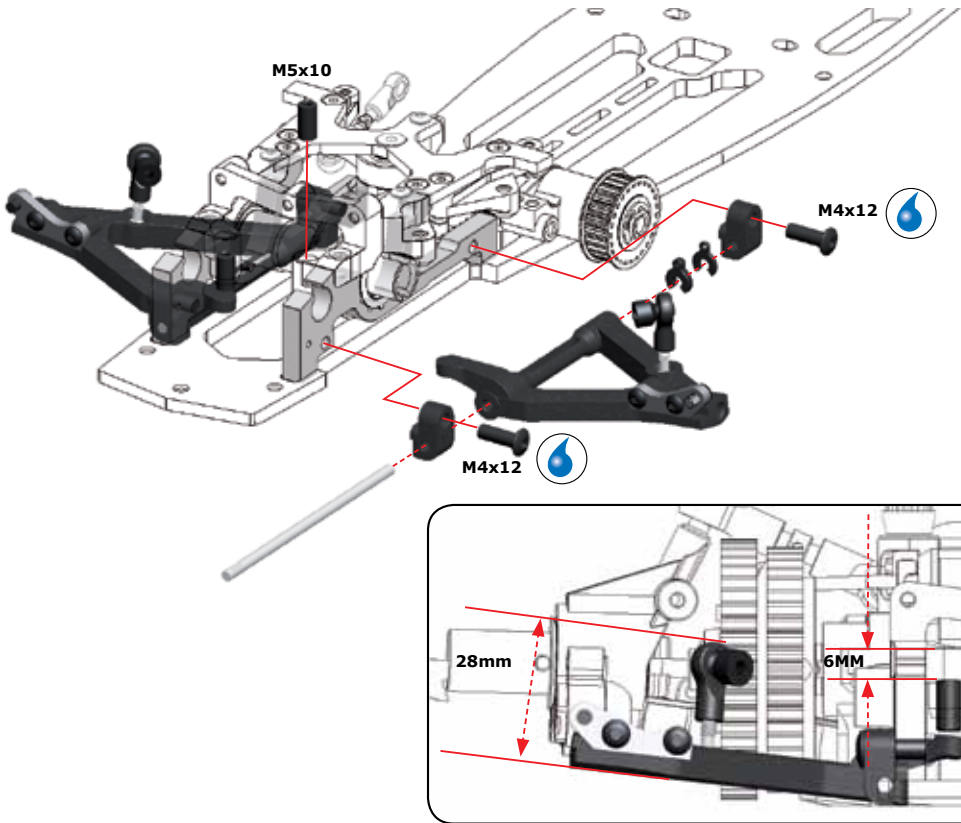
45

14

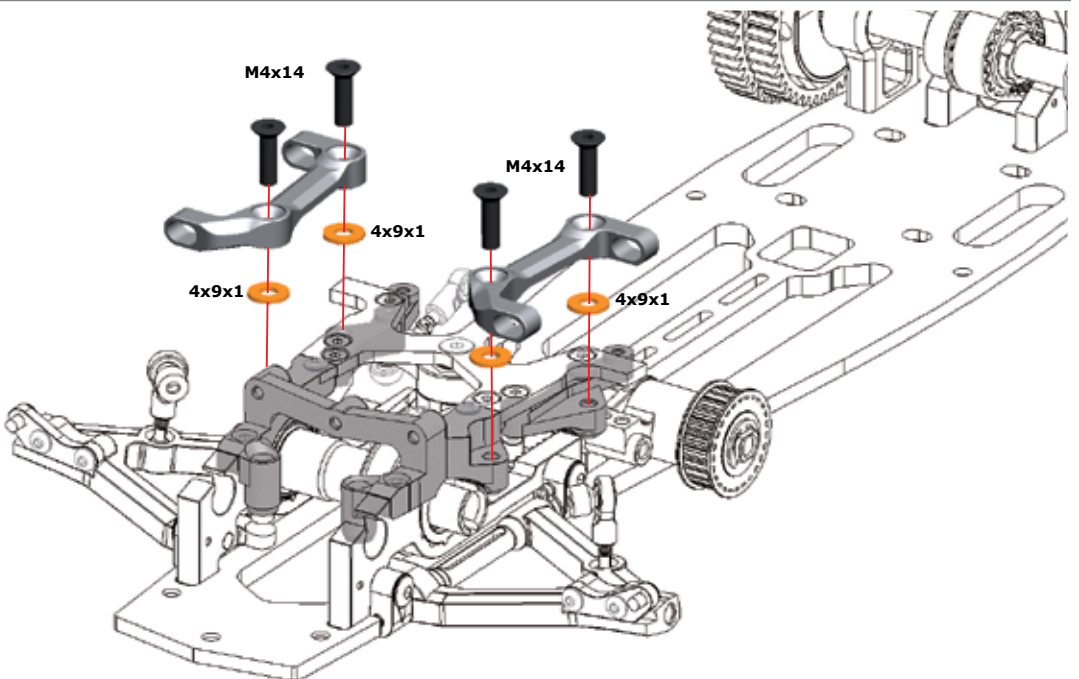
STEP  
36

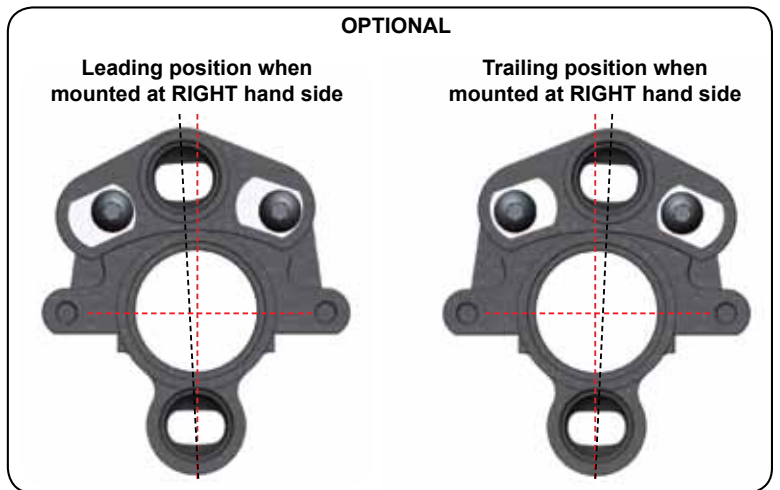
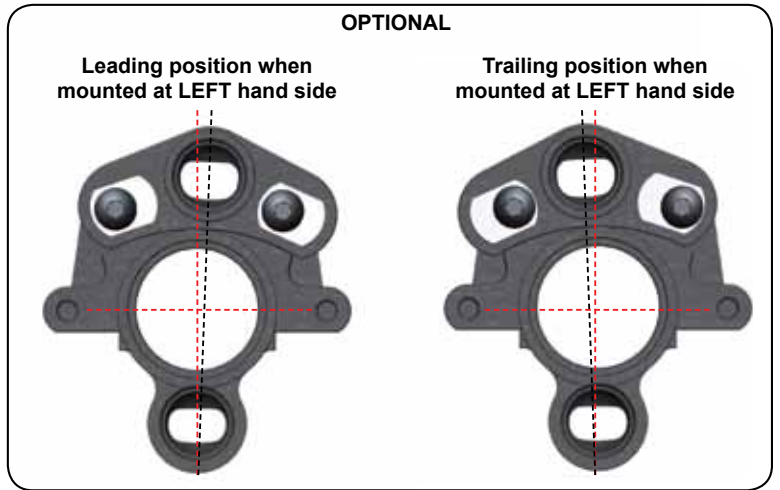
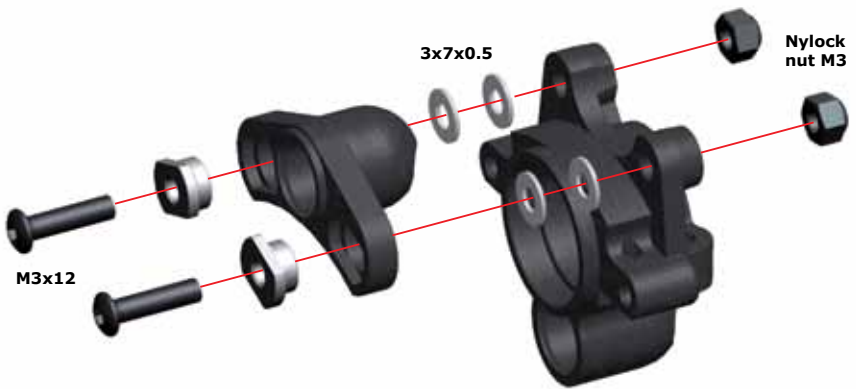
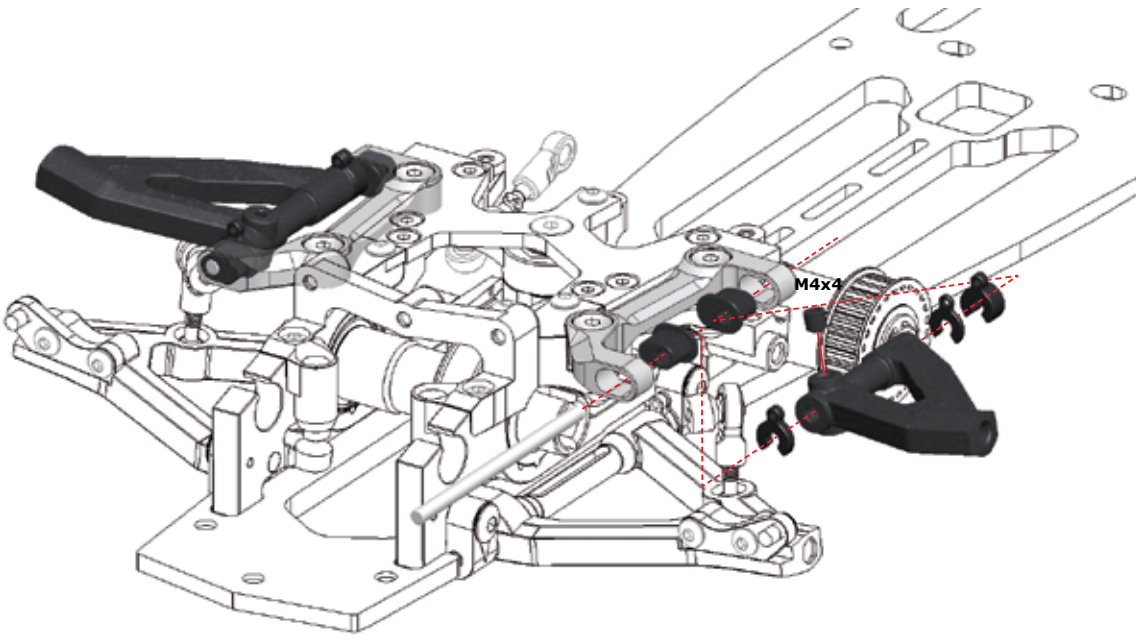


STEP  
37

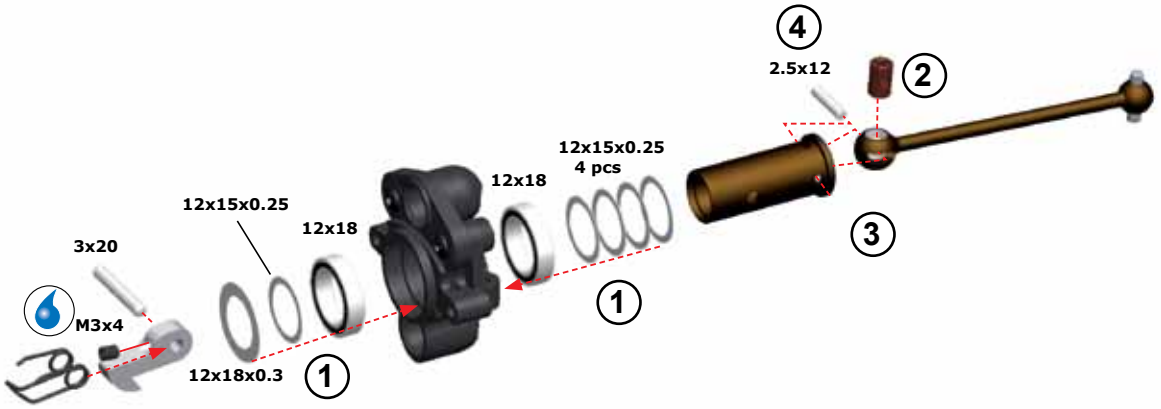


STEP  
38

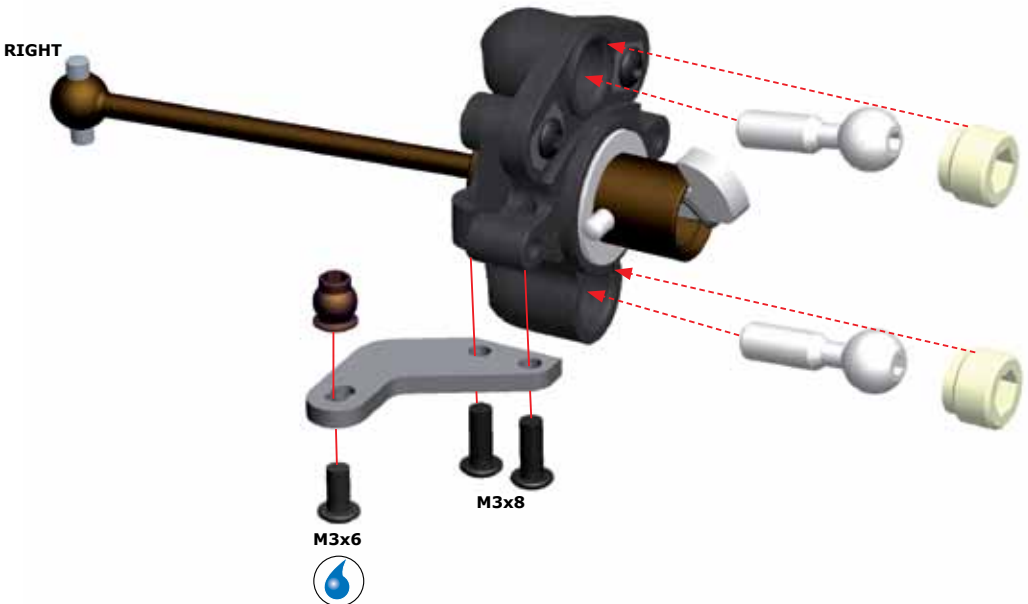
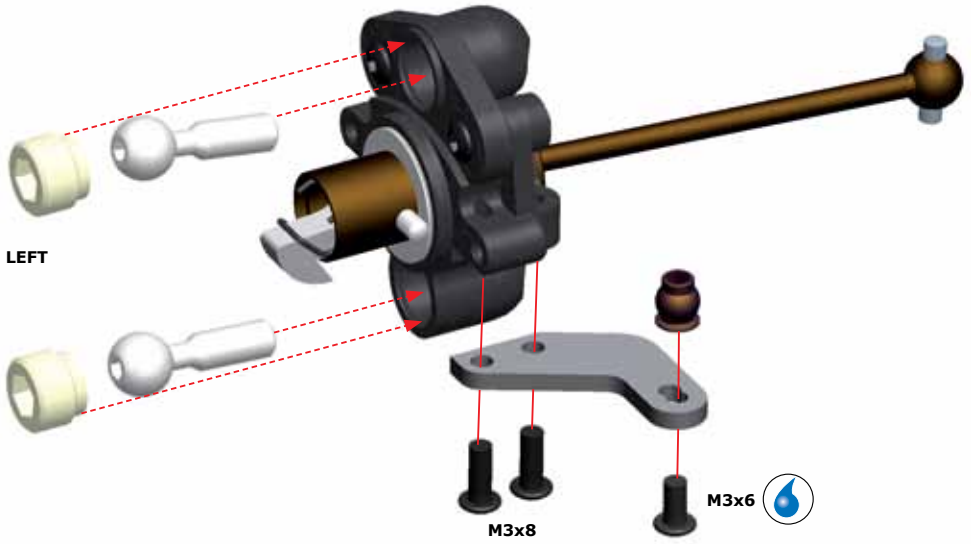




STEP  
41

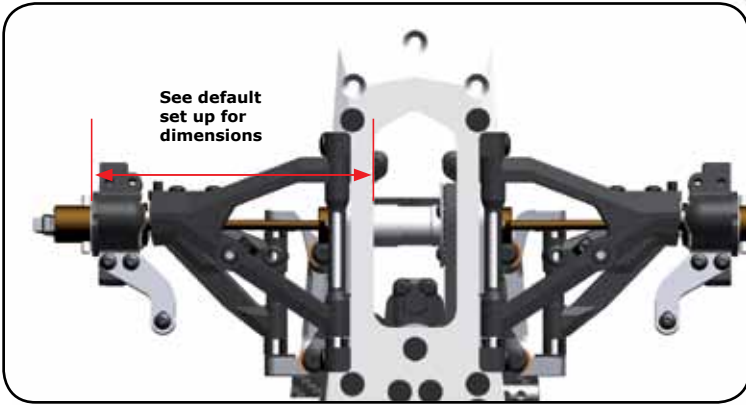
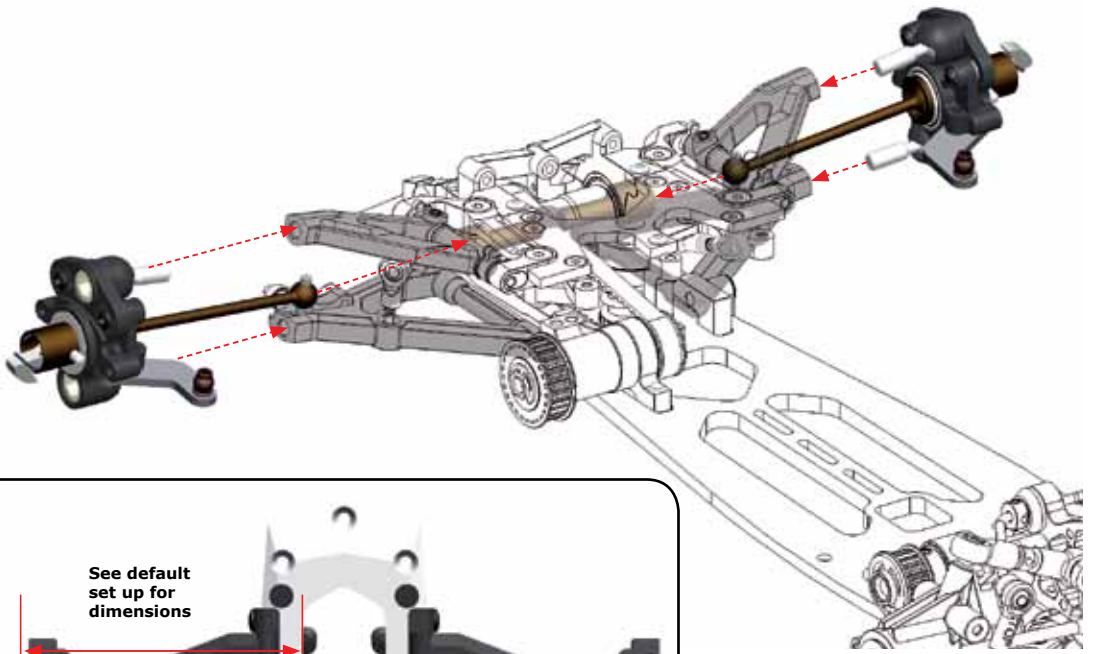


STEP  
42

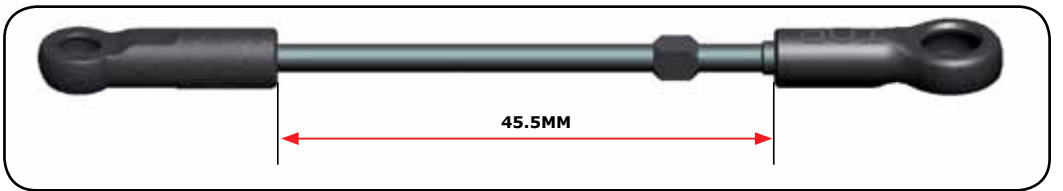




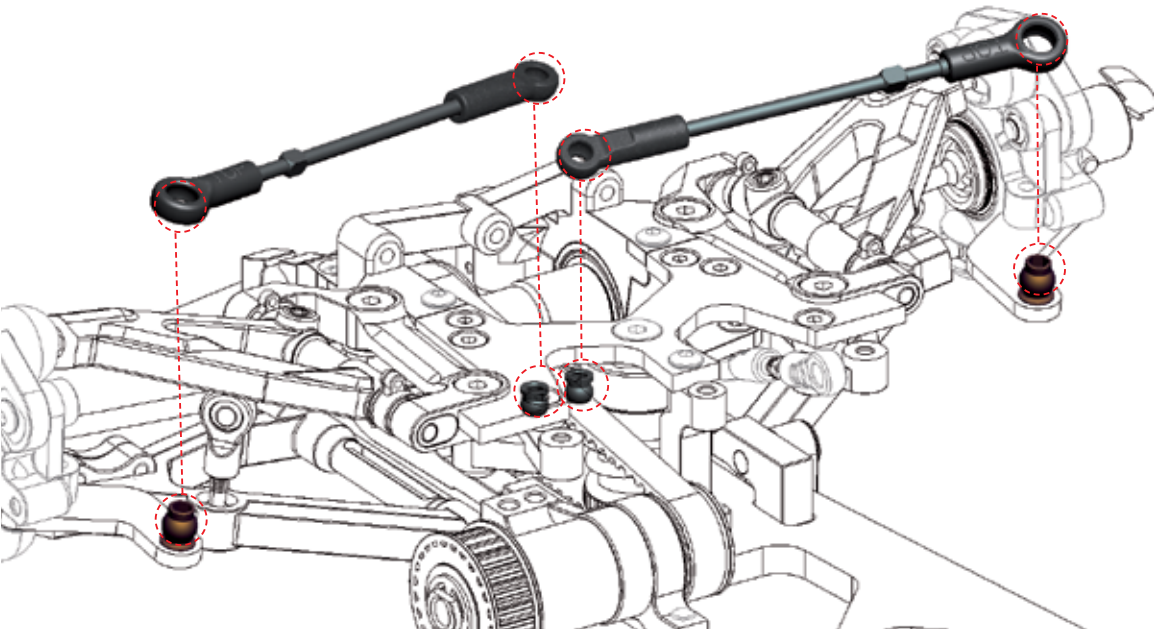
STEP  
43



STEP  
44



STEP  
45



457

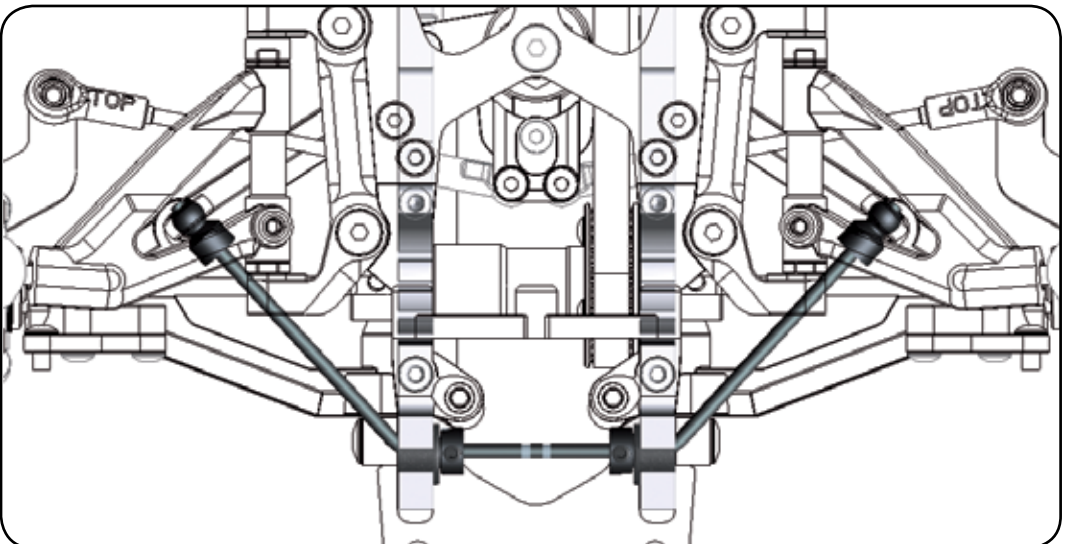
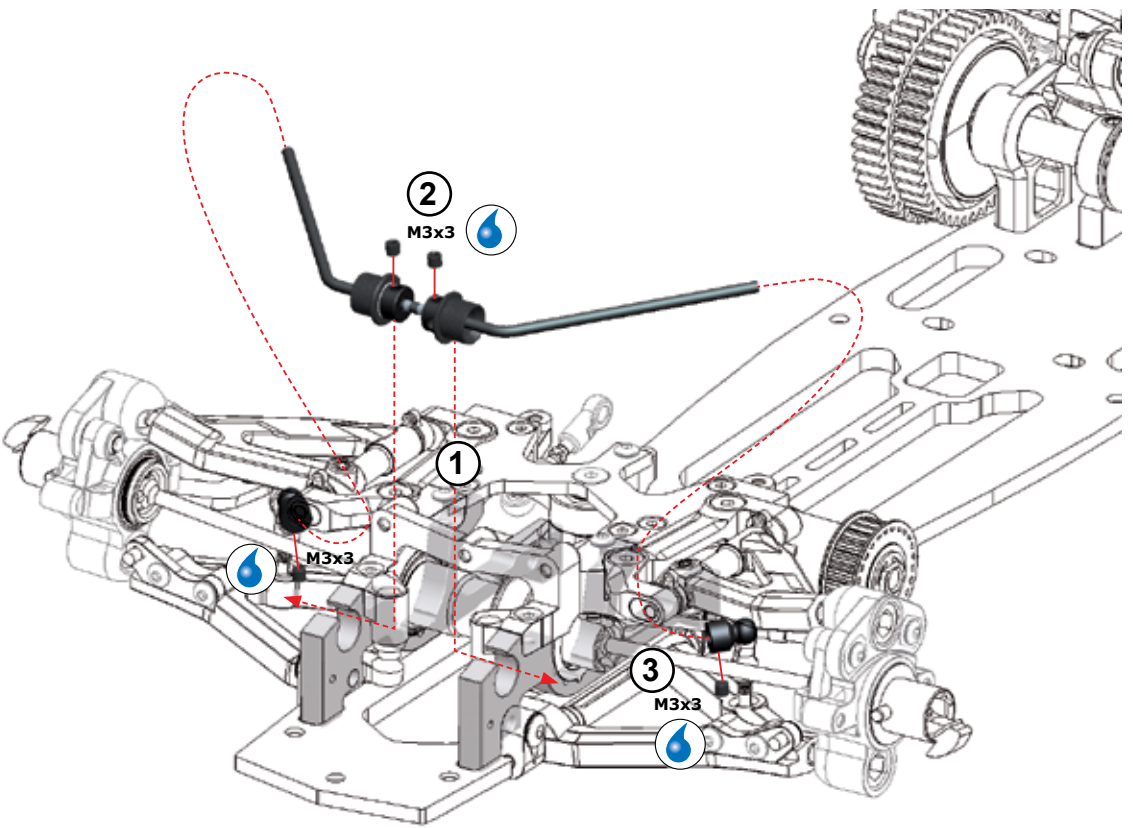
18

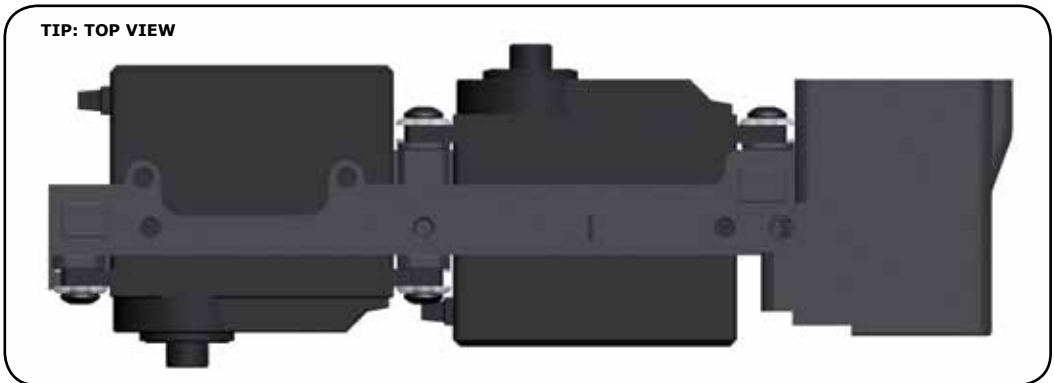
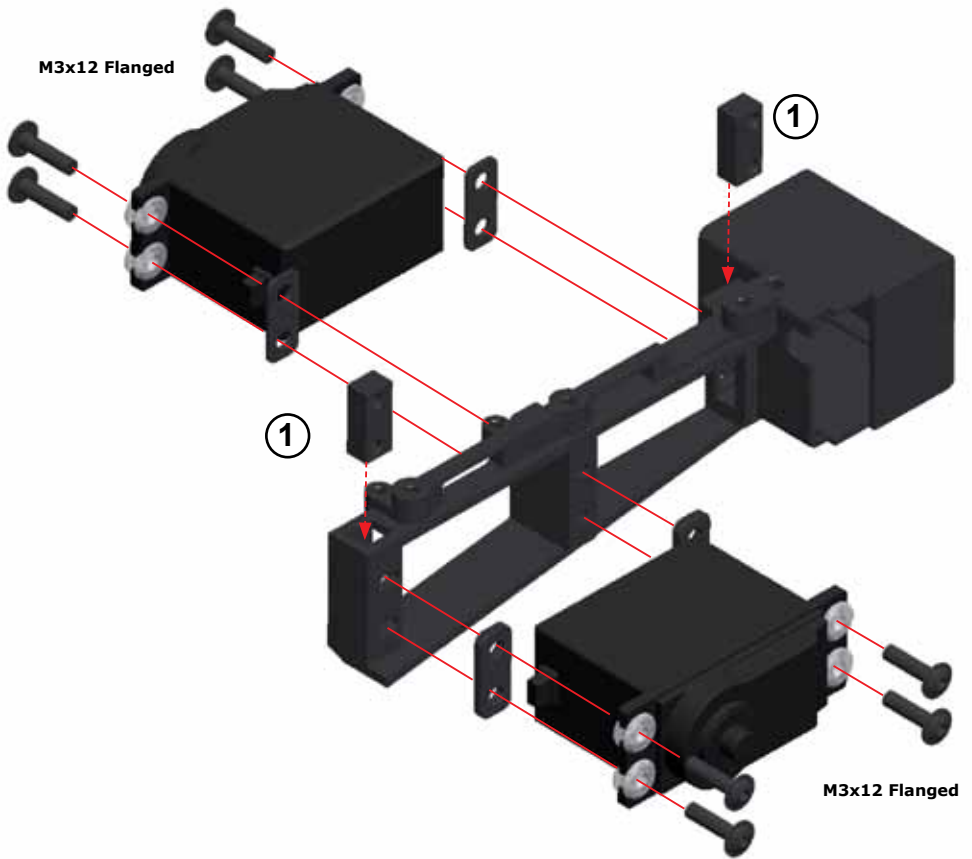


STEP  
46

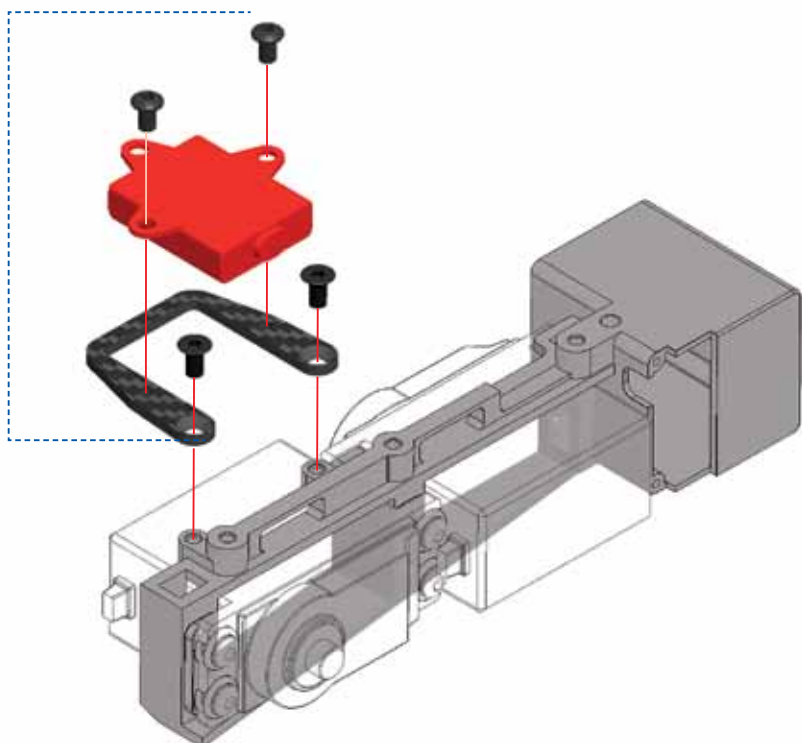


STEP  
47

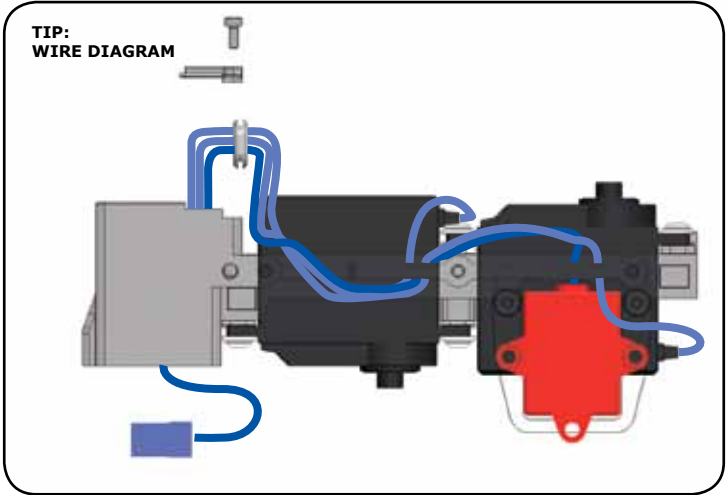
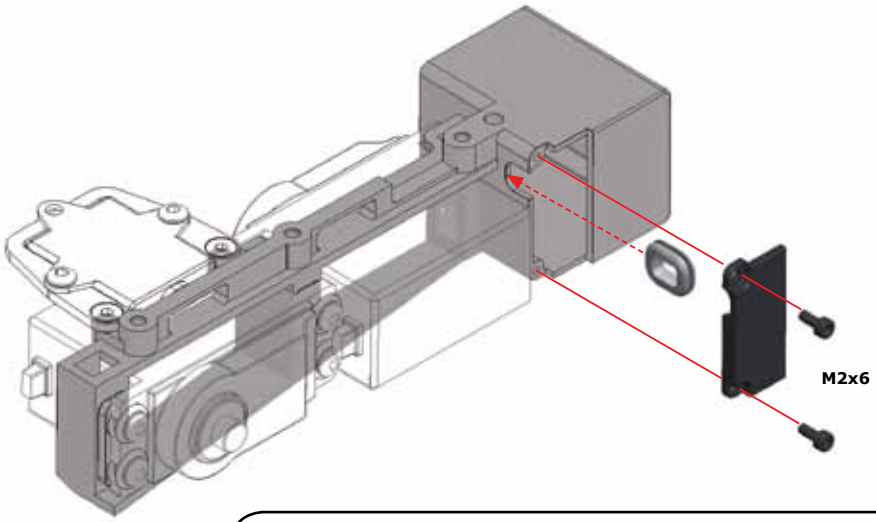




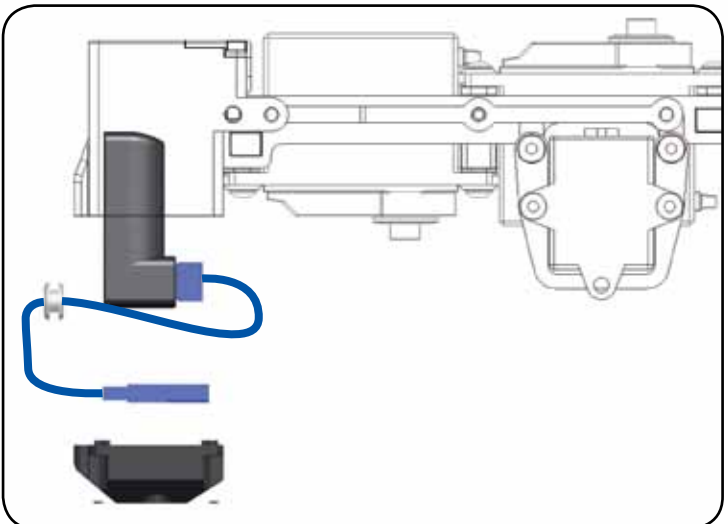
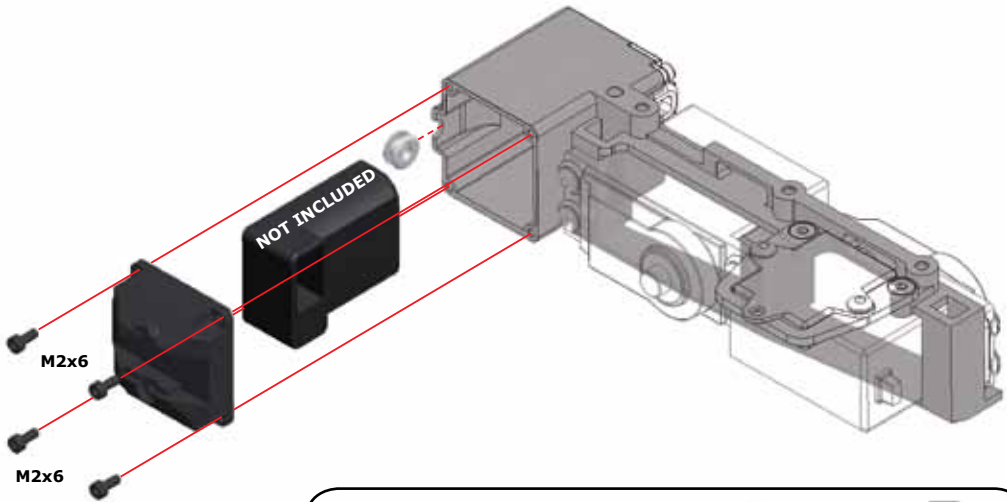
OPTIONAL:  
NOT INCLUDED

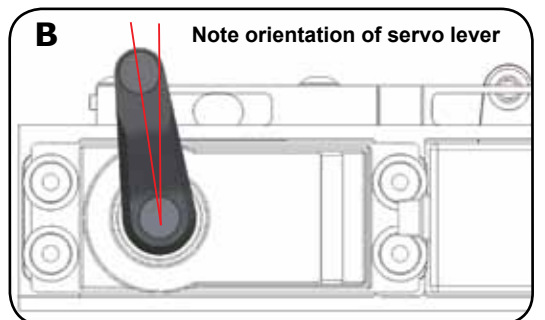
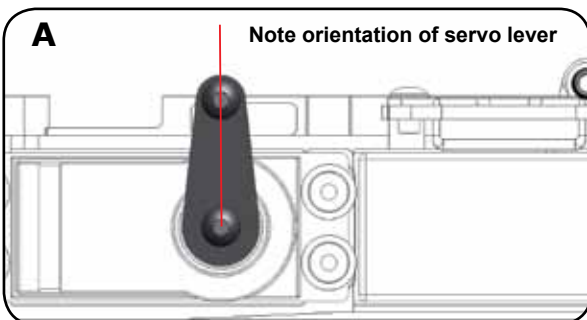
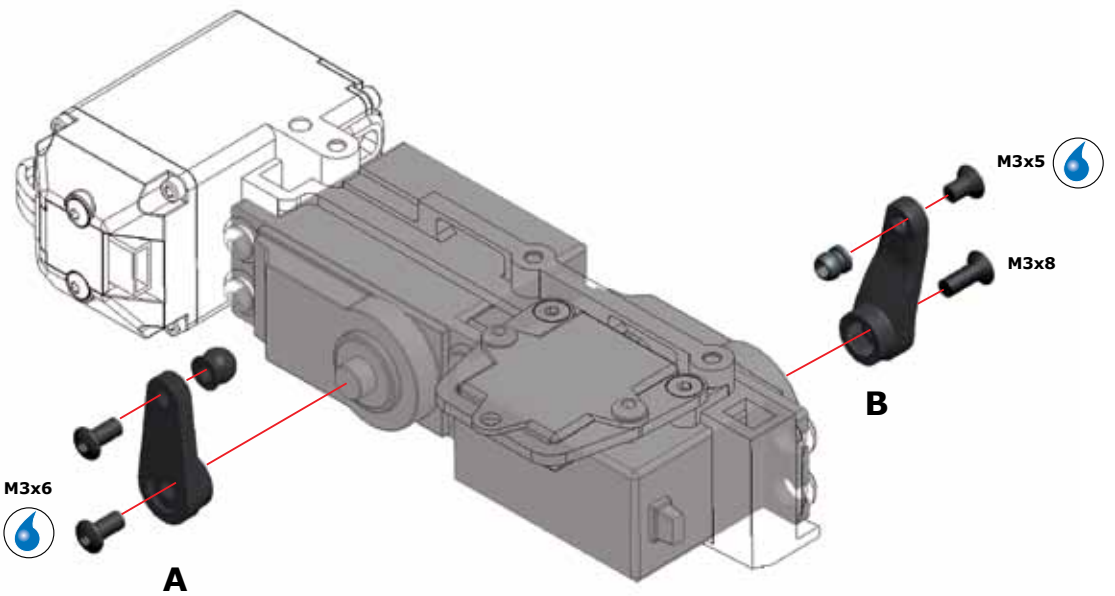
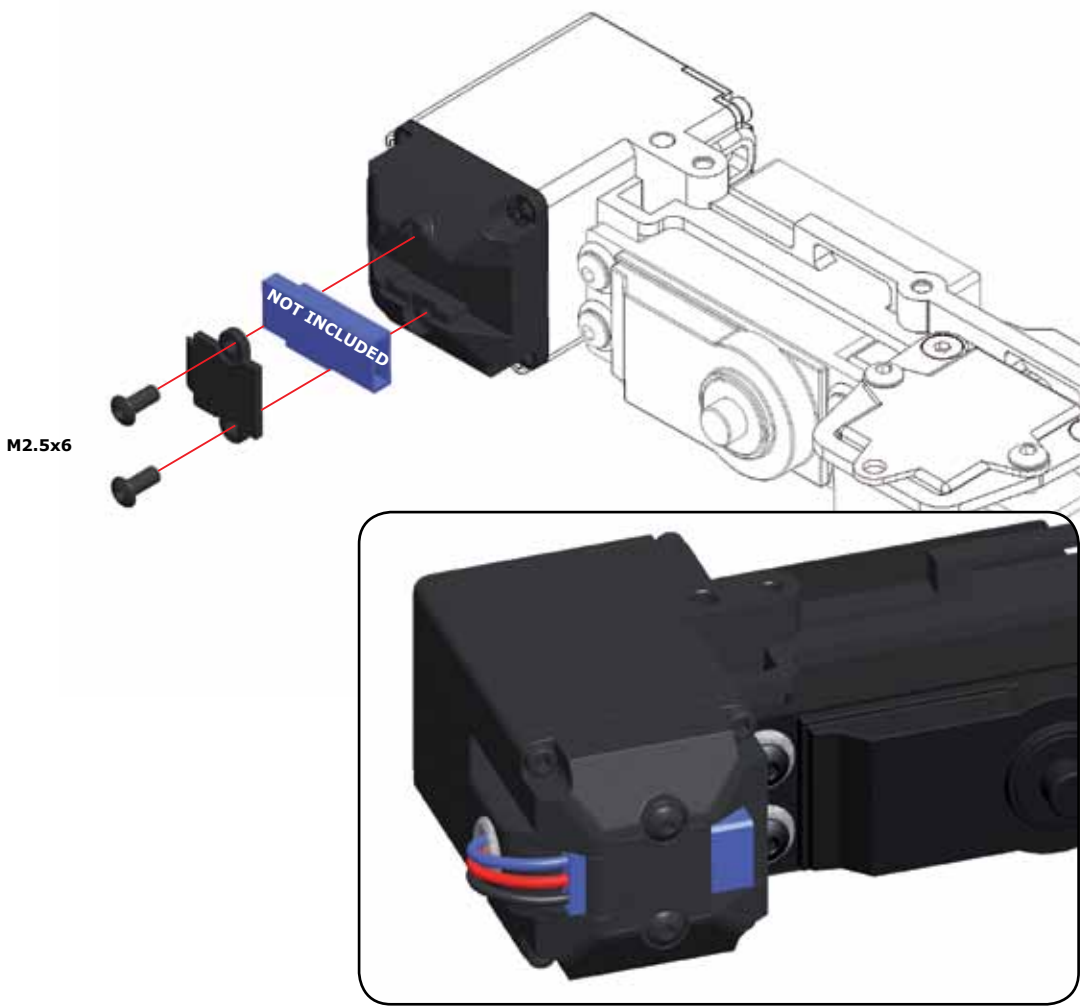


STEP  
50



STEP  
51

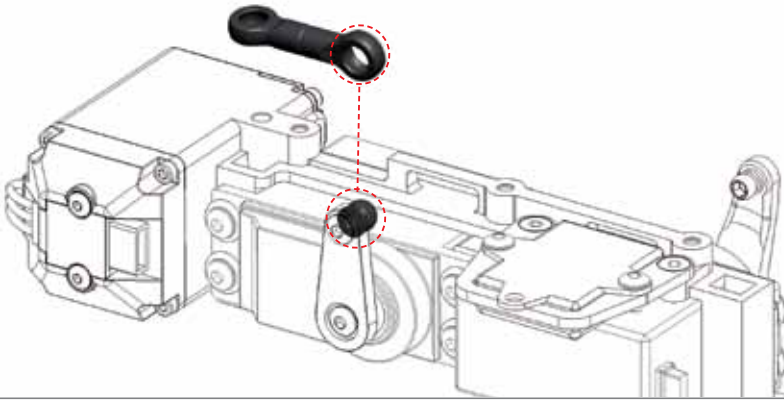




STEP  
54

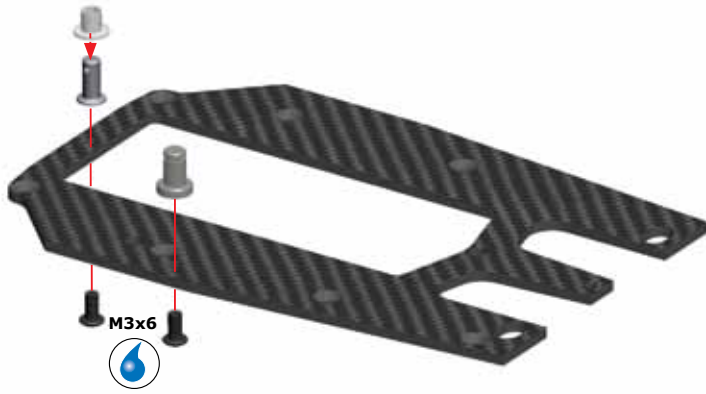


STEP  
55



STEP  
56

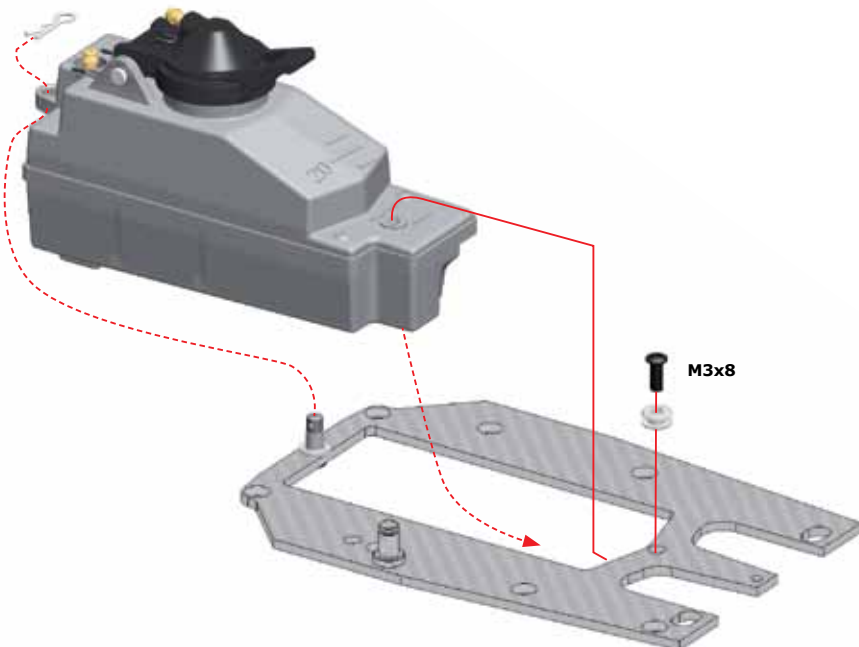
Bag  
8



STEP  
57

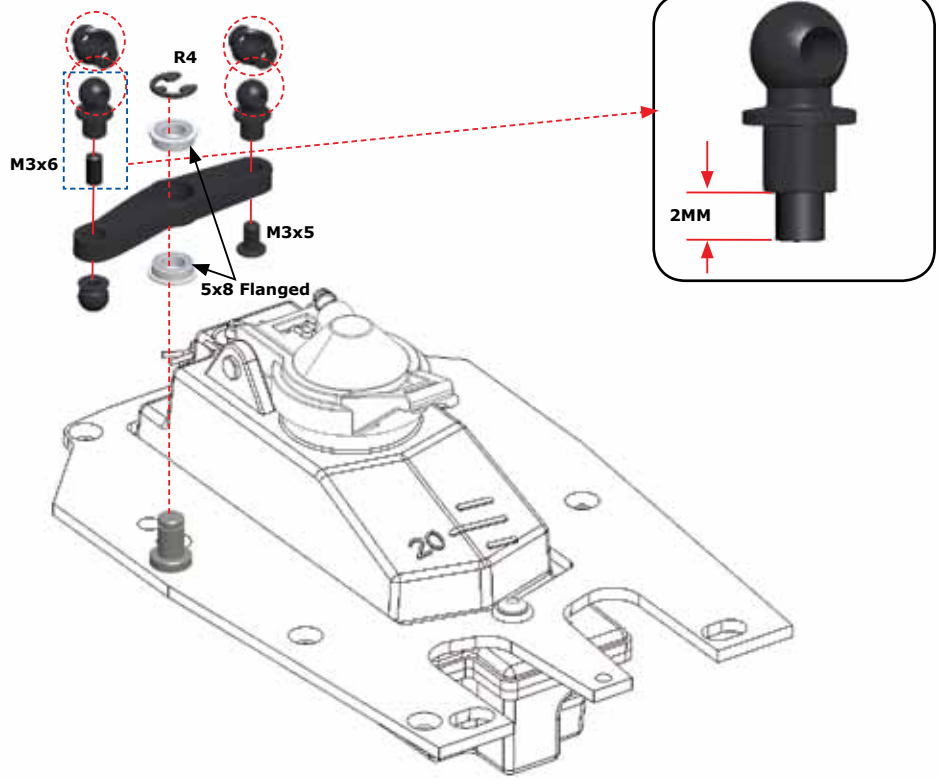


STEP  
58

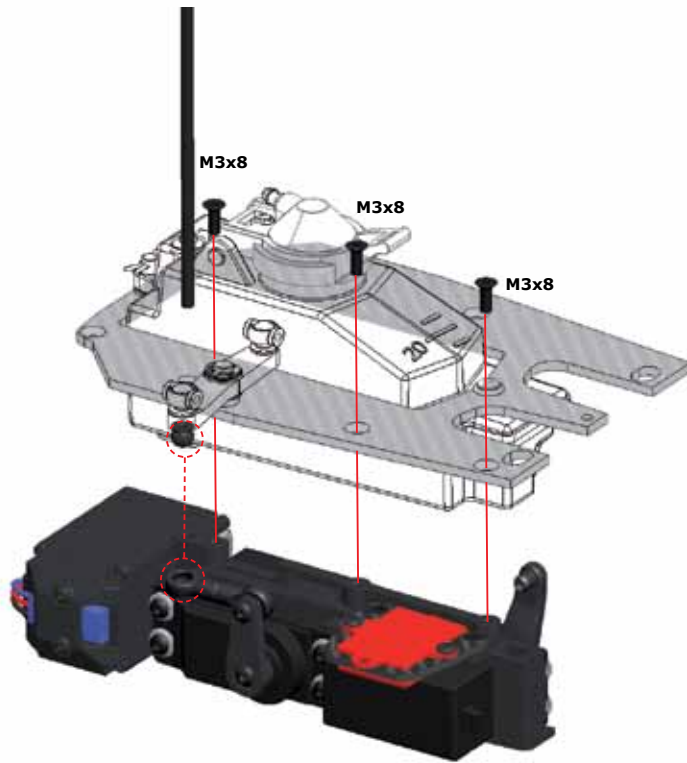




STEP  
59



STEP  
60



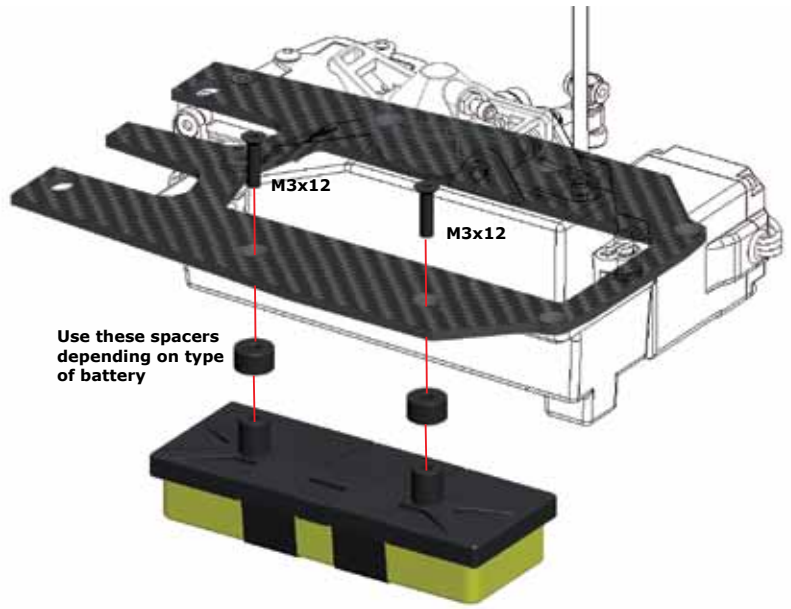
STEP  
61



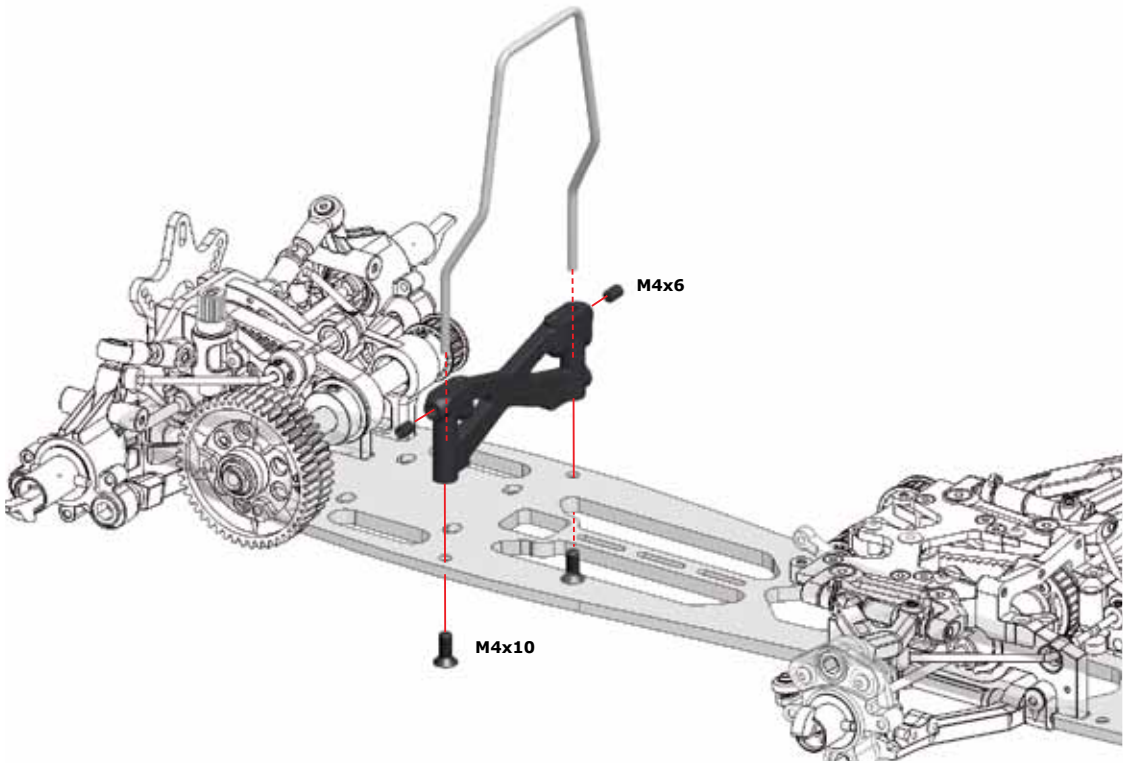
457

24

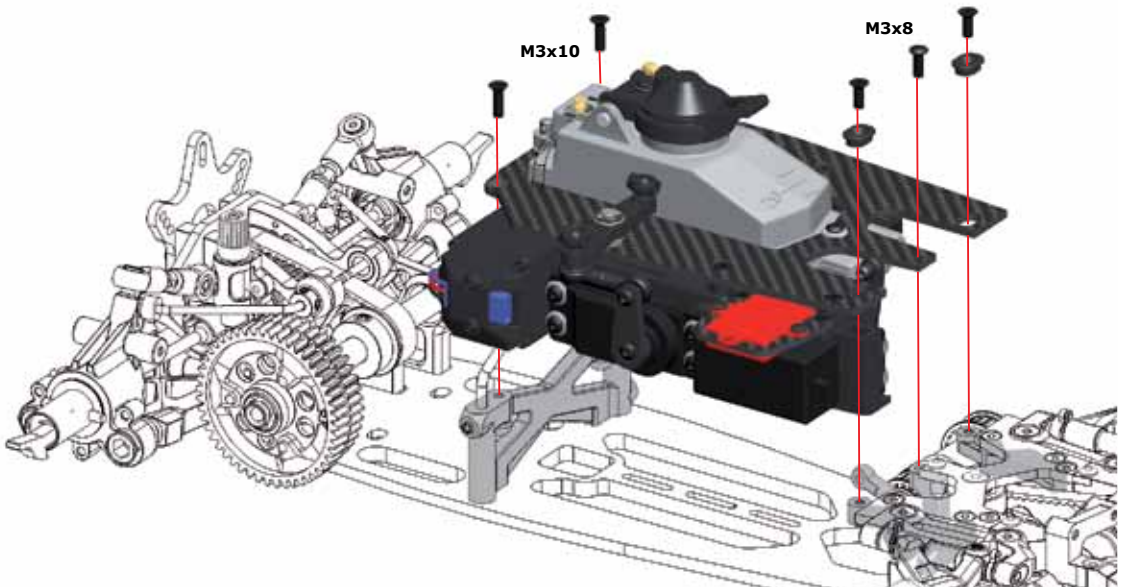
STEP  
62



STEP  
63



STEP  
64

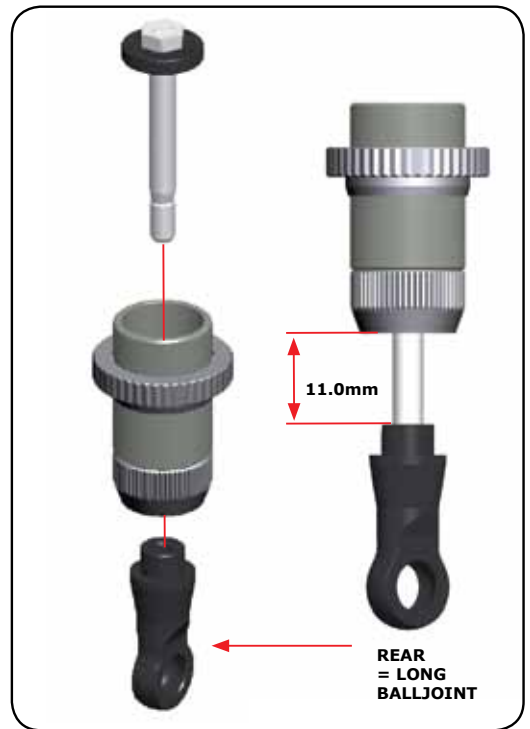




STEP 66



STEP 67



**FILLING**  
Fill the shock body with the supplied shock absorber oil.



**BLEEDING**  
Let the oil settle and allow the air to escape. Slowly move the piston up and down to release any trapped air bubbles. Repeat as necessary until no bubbles appear.



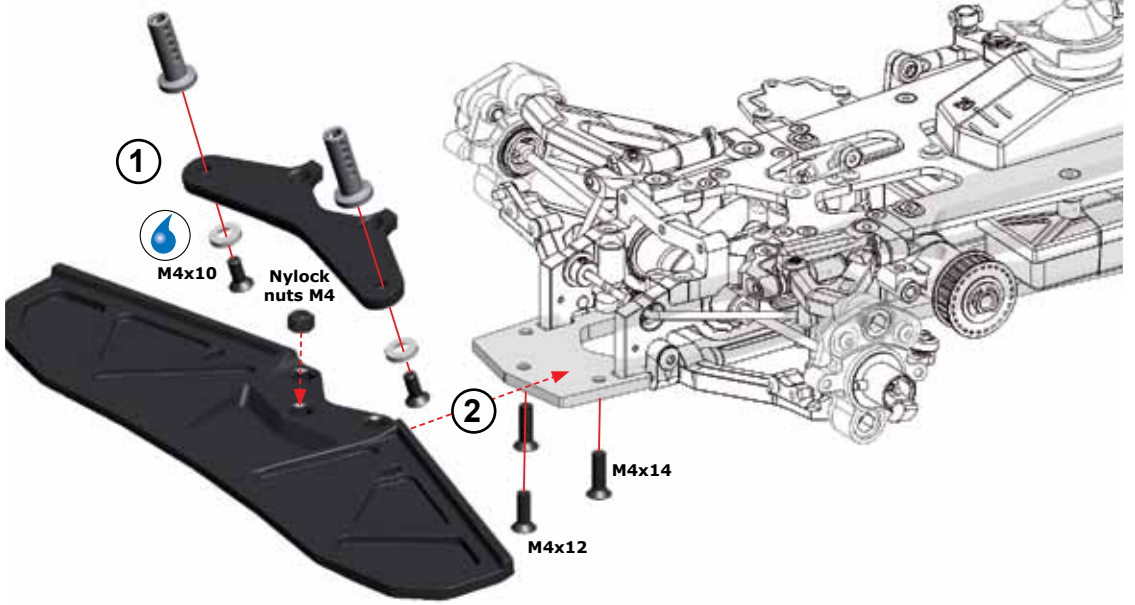
STEP 70

assemble the spring and springcup to complete the shock  
**Check the default set-up sheet for spring details.**

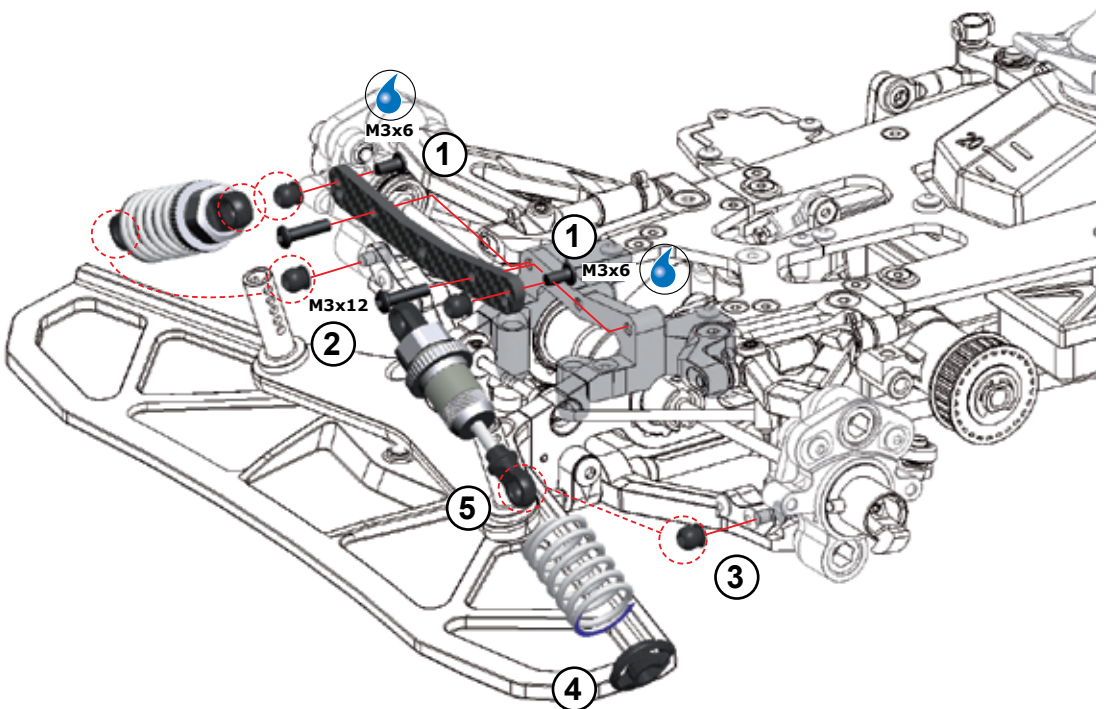


STEP  
71

Bag  
9

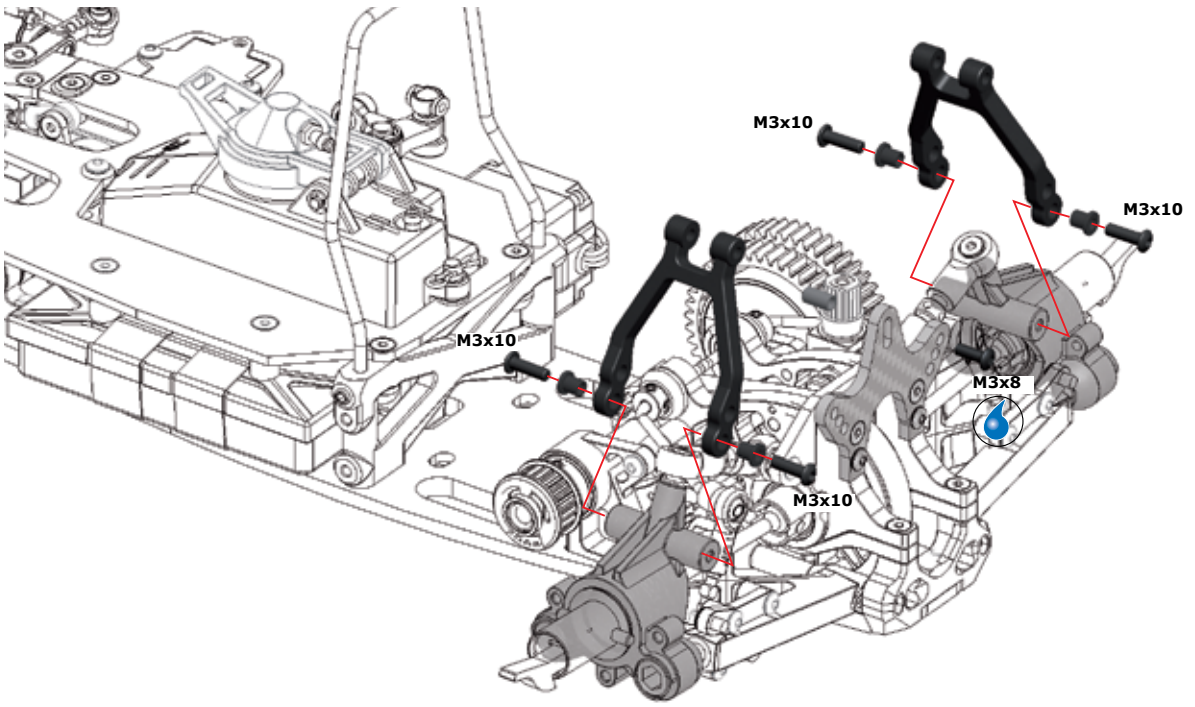


STEP  
72

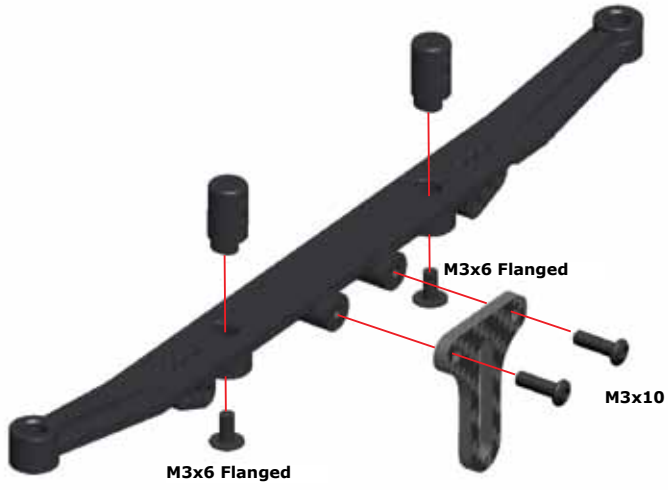




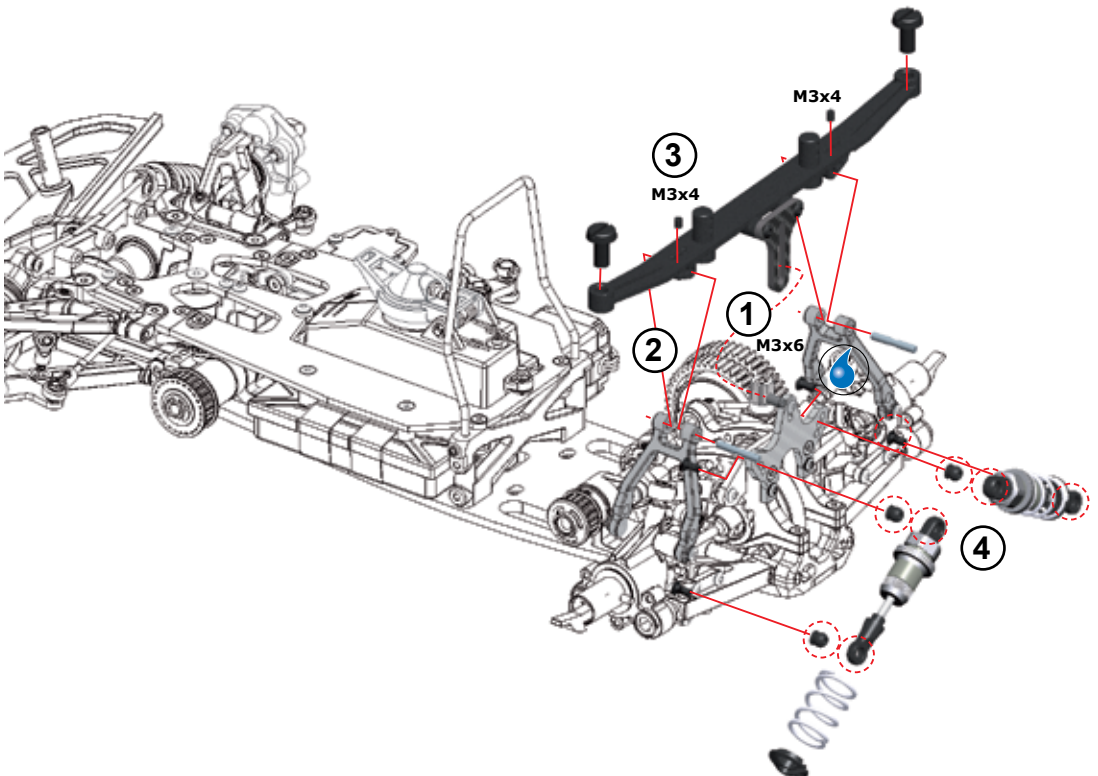
STEP  
73



STEP  
74



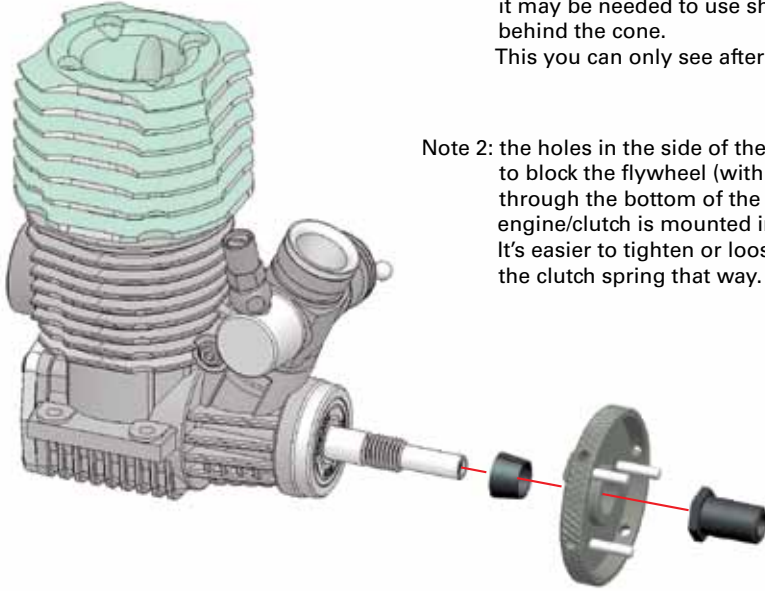
STEP  
75





STEP  
76

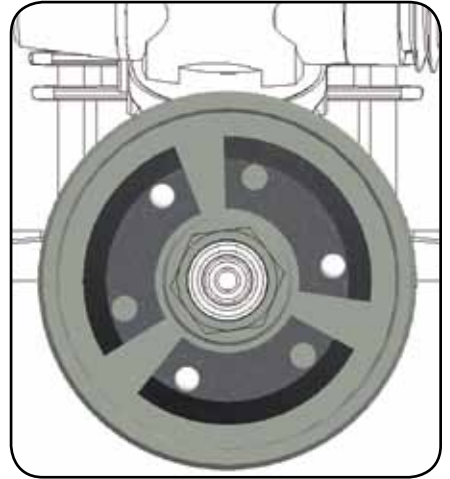
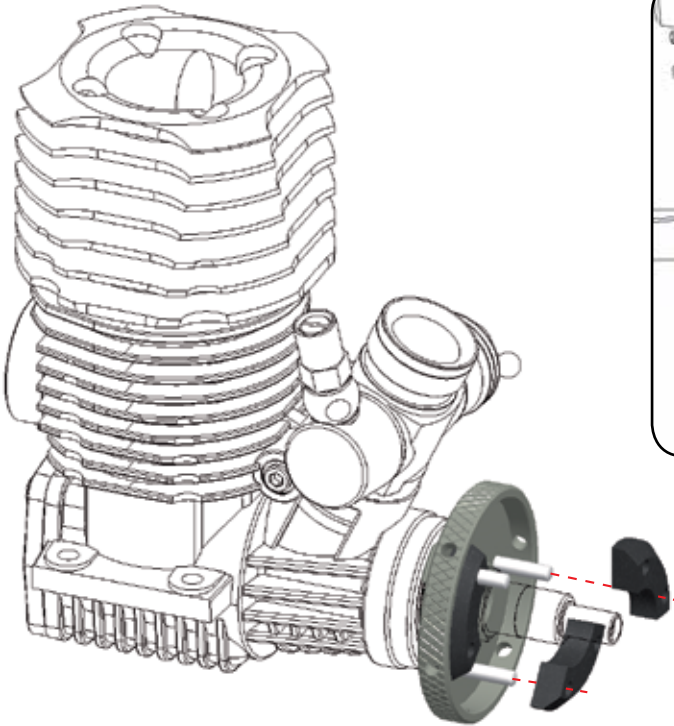
Clutch  
Bag



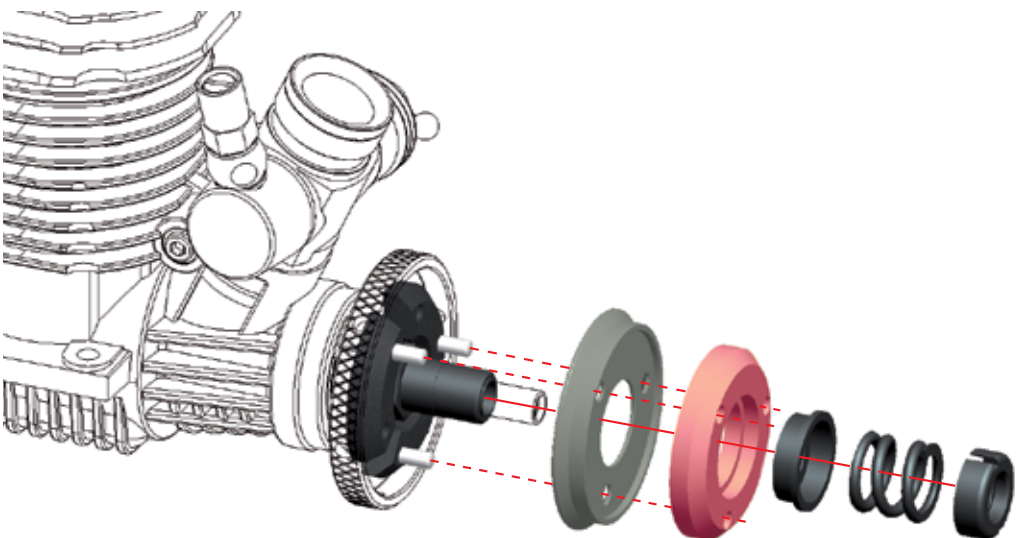
Note 1: to align the clutchgears with the 2-speed gears, it may be needed to use shim(s) 7x13x 0.5mm behind the cone. This you can only see after assembly of the clutch.

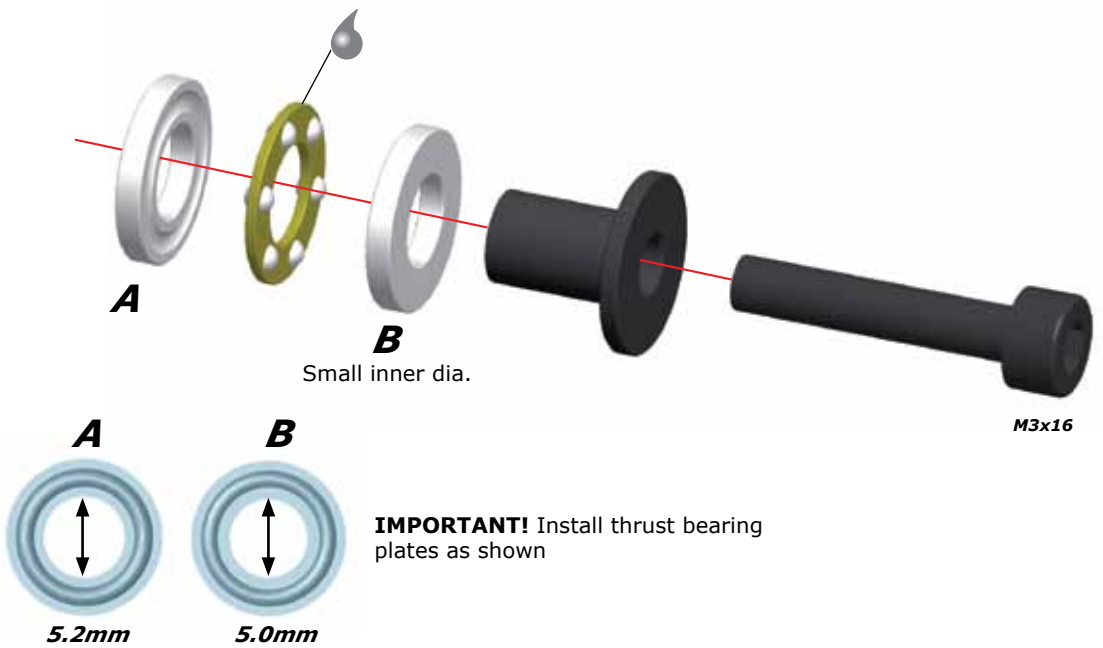
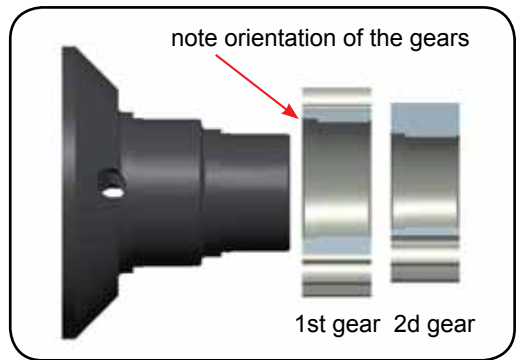
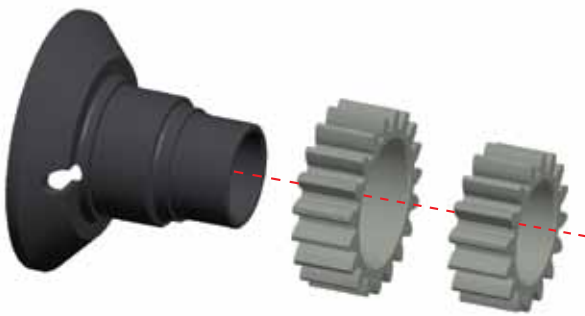
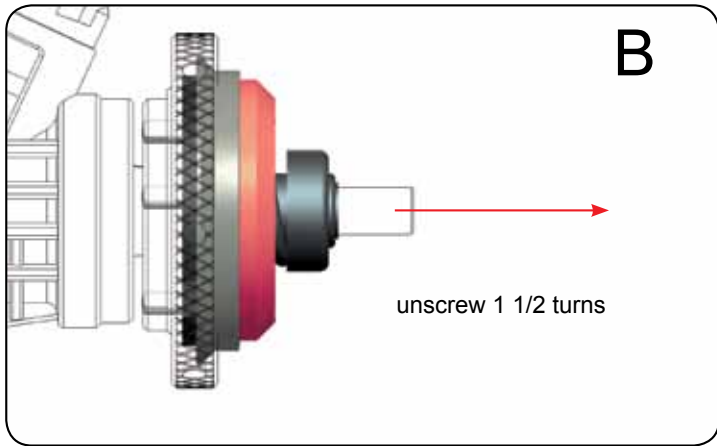
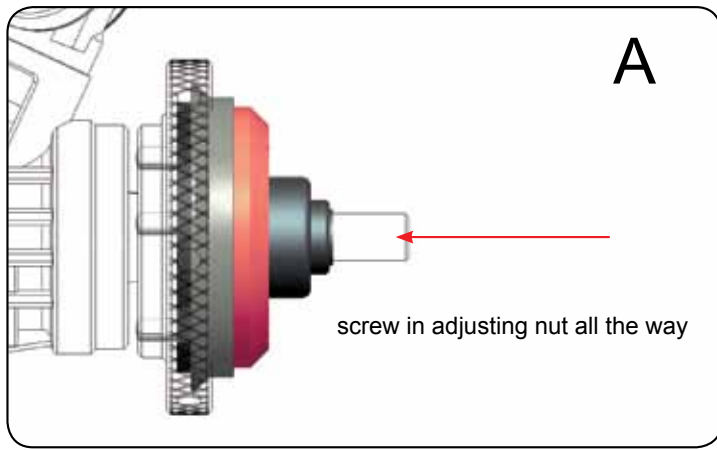
Note 2: the holes in the side of the flywheel can be used to block the flywheel (with short allen tool) through the bottom of the chassis, when the engine/clutch is mounted in the car. It's easier to tighten or loosen the pre-load on the clutch spring that way.

STEP  
77

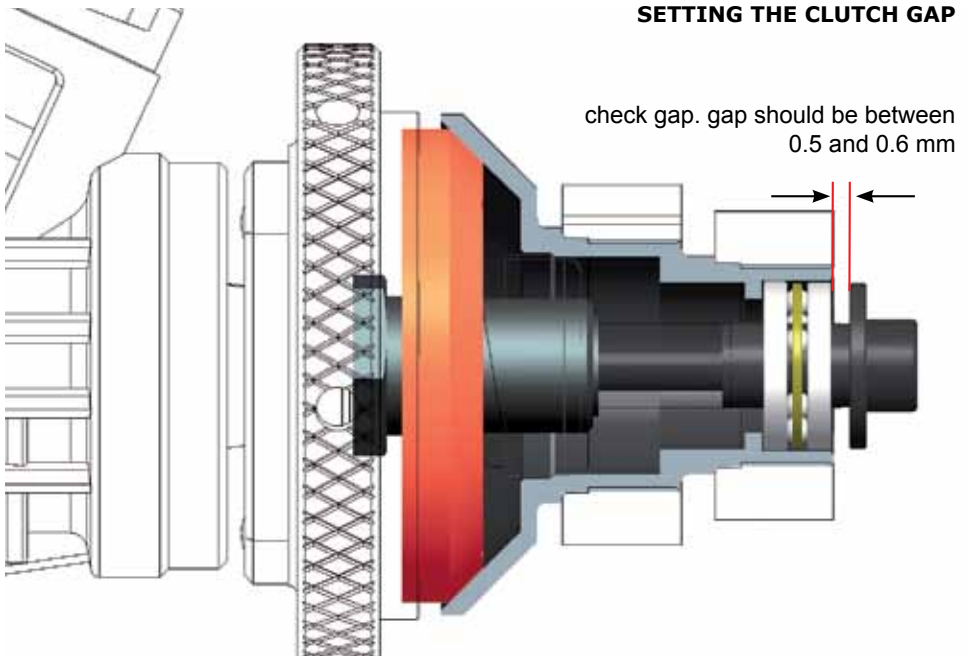


STEP  
78





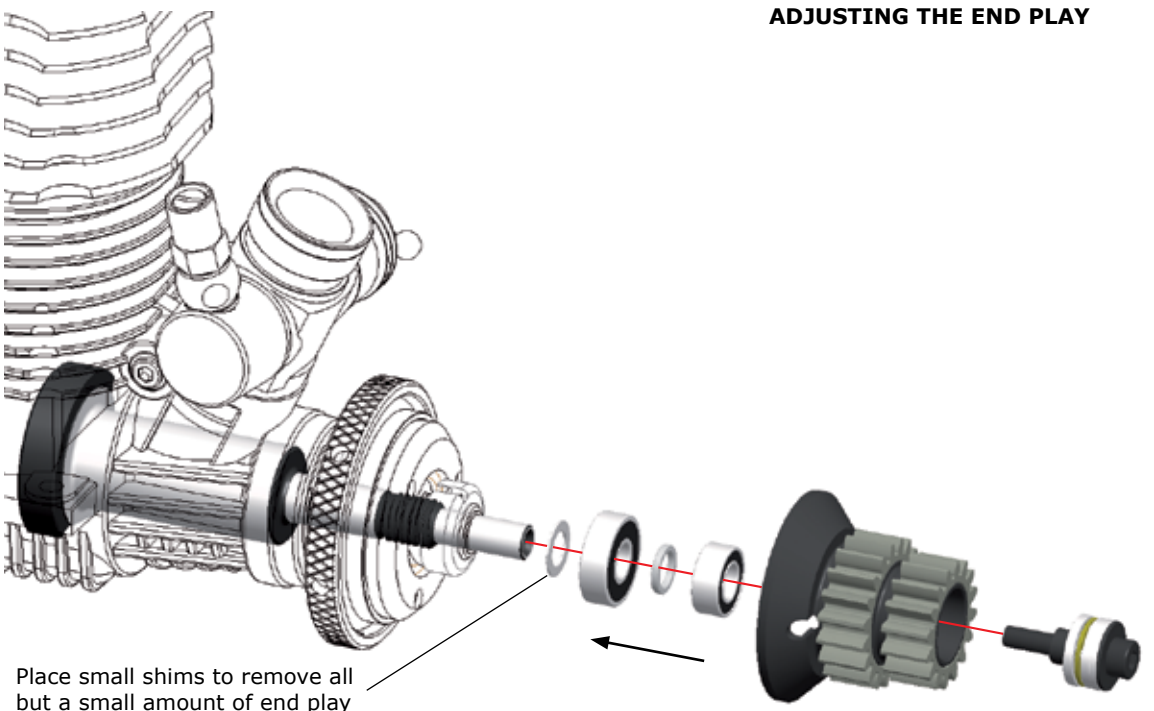
### SETTING THE CLUTCH GAP



use these shims to  
achive desired gap



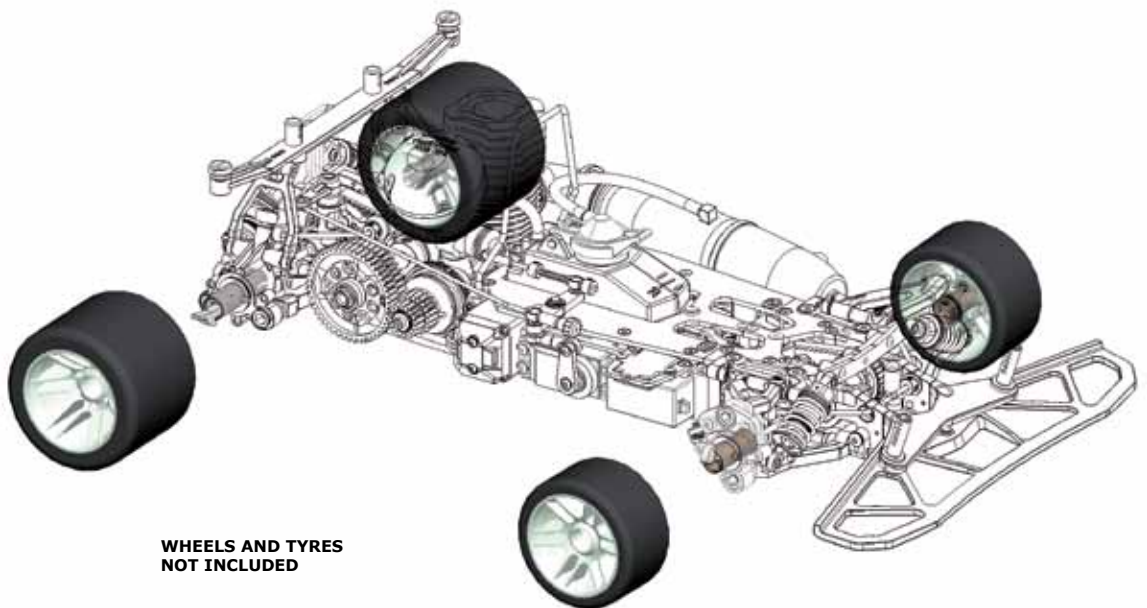
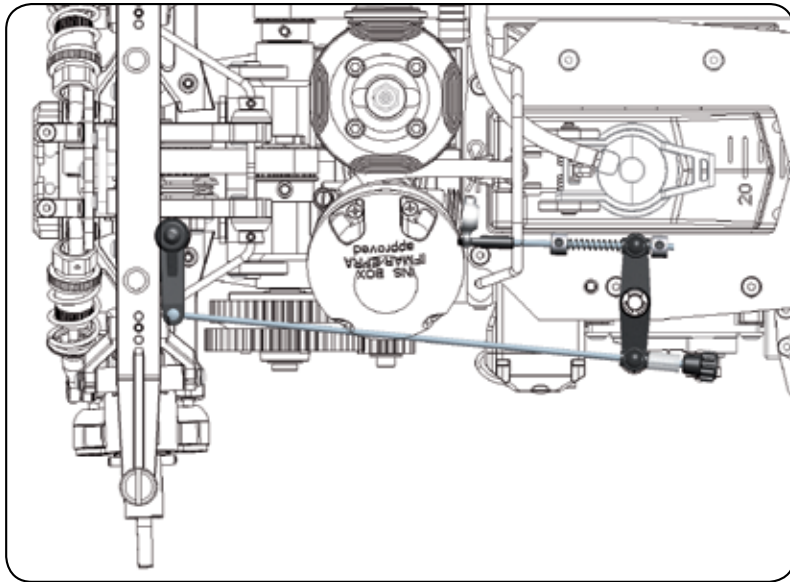
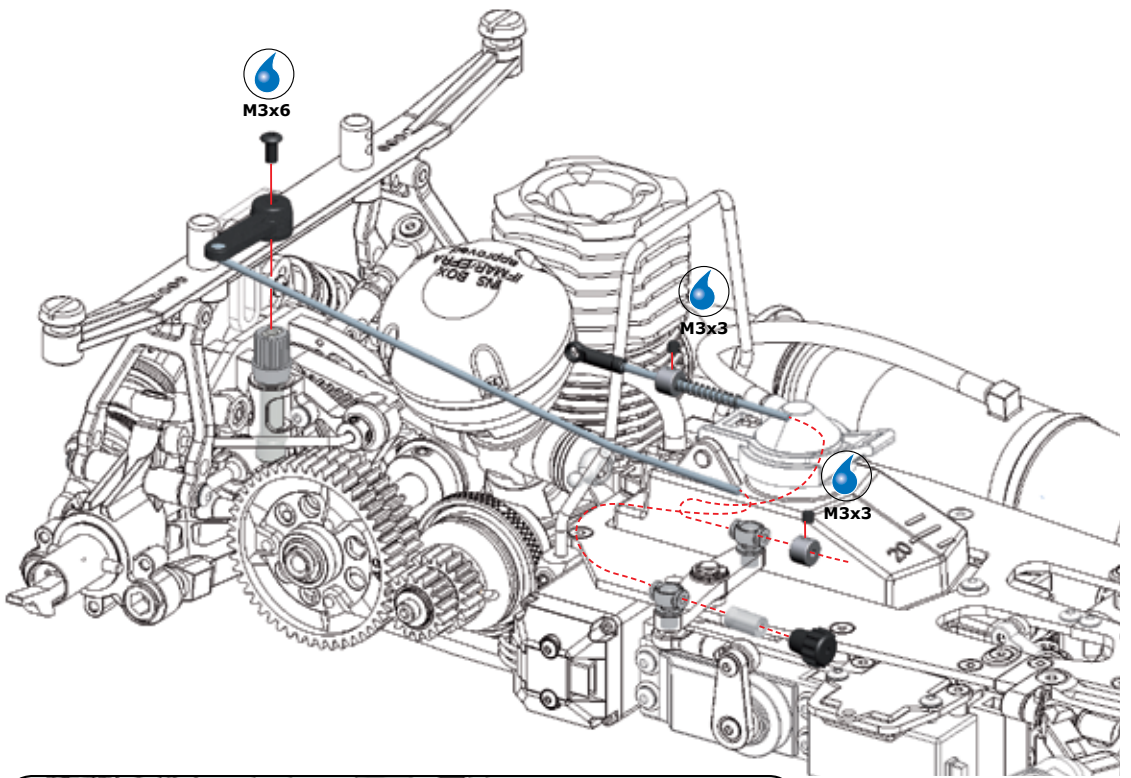
### ADJUSTING THE END PLAY









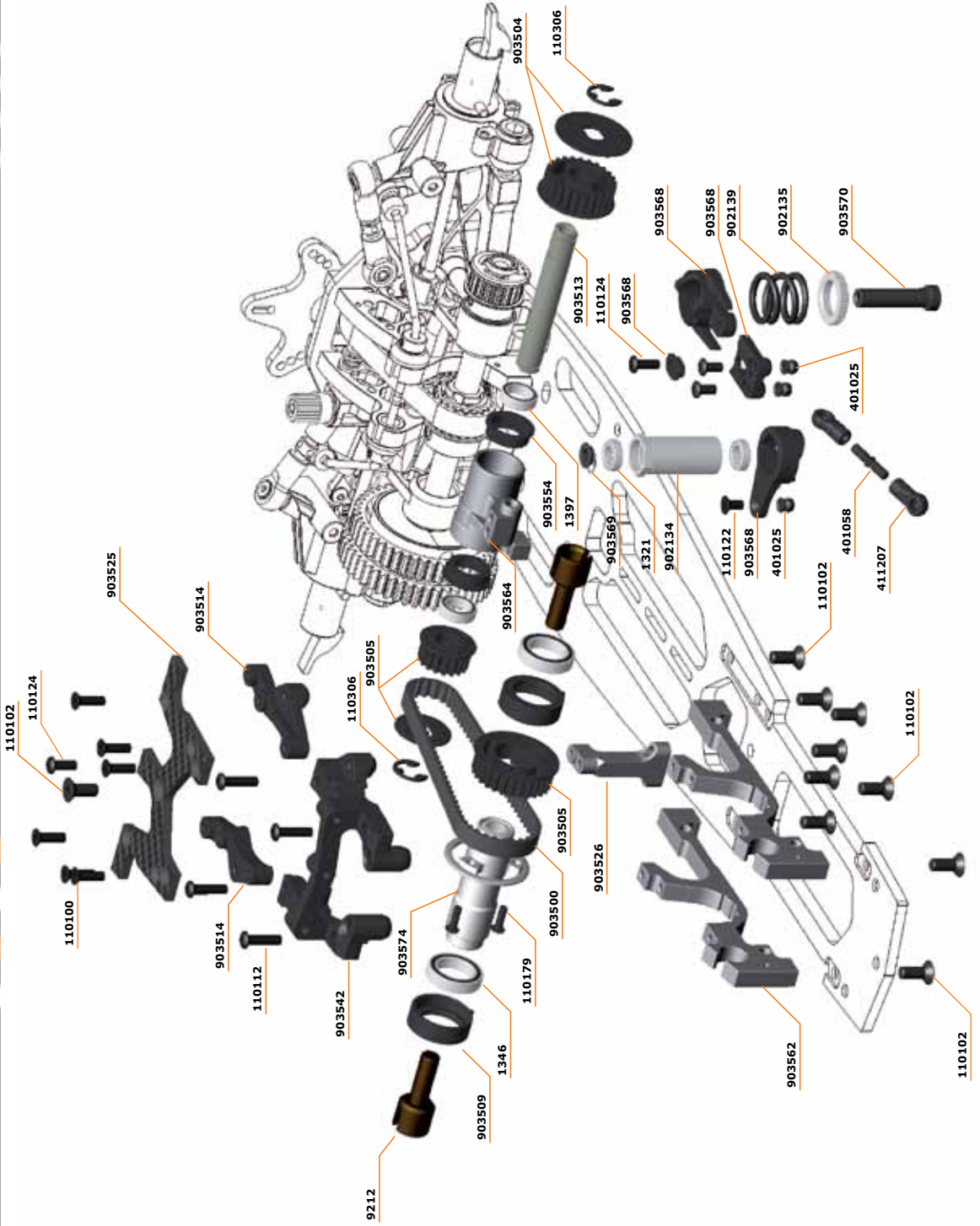


# REF GUIDE: EXPLODED VIEWS and PARTS-LIST

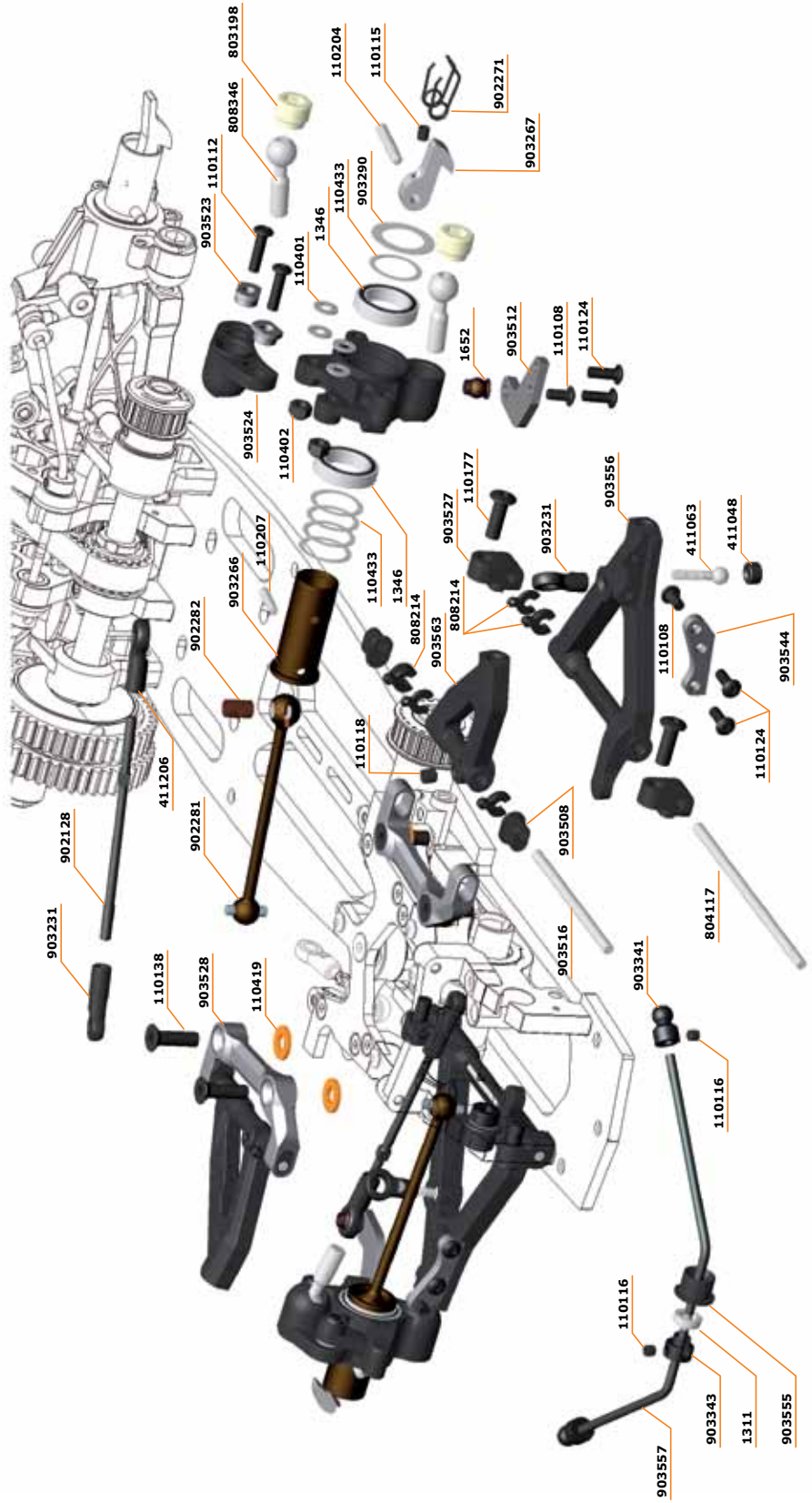
## Contents

- 35 Front assembly I
- 36 Front assembly II
- 37 Rear assembly
- 38 Radioplate assembly
- 39 Bodymounting
- 40 2-speed assembly
- 41 Centax clutch assembly
- 42 Shocks assembly
- 43 Final assembly
- 44 Parts-list

# EXPLODED VIEW: FRONT ASSEMBLY 1



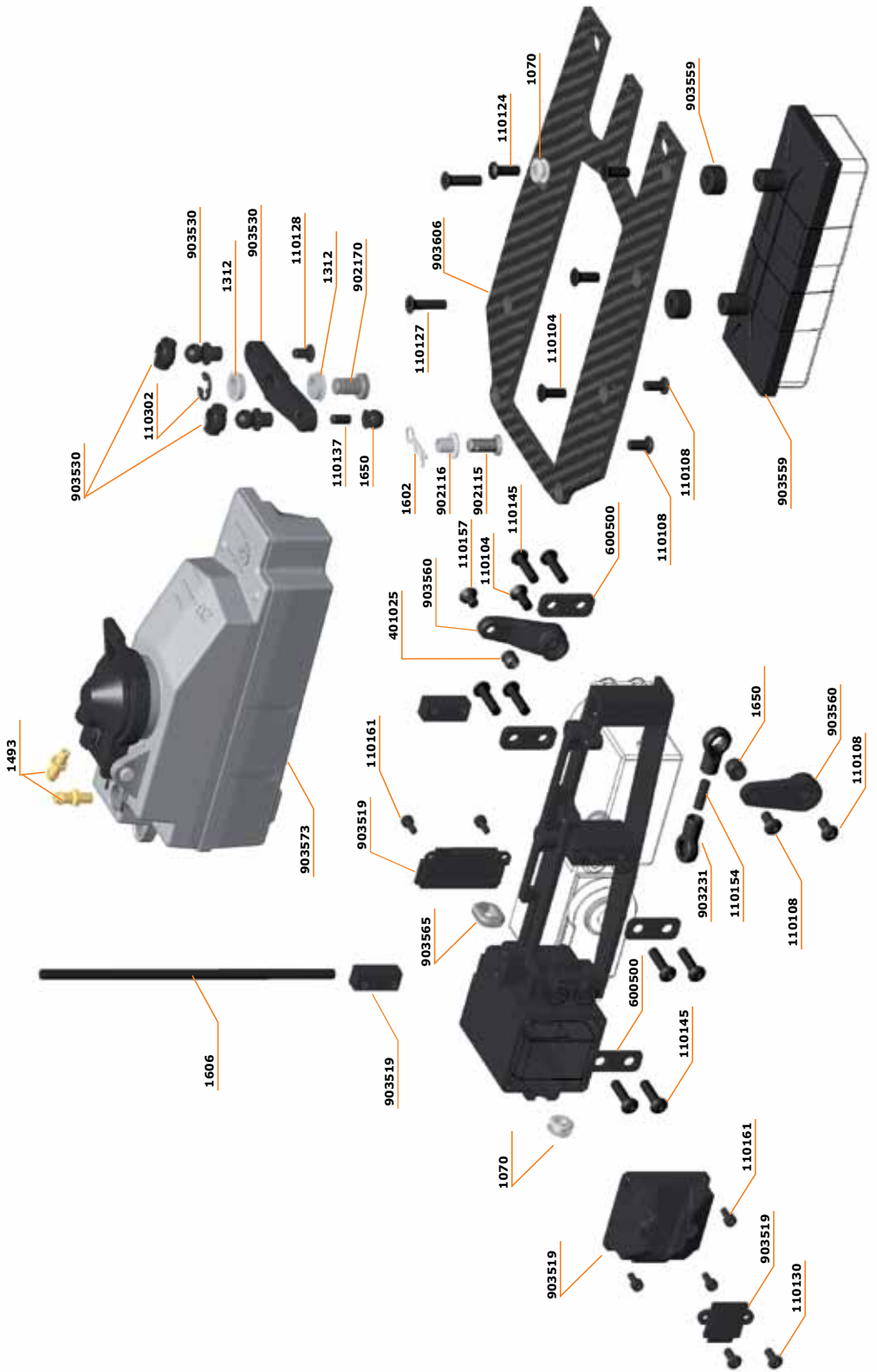
# EXPLODED VIEW: FRONT ASSEMBLY 2



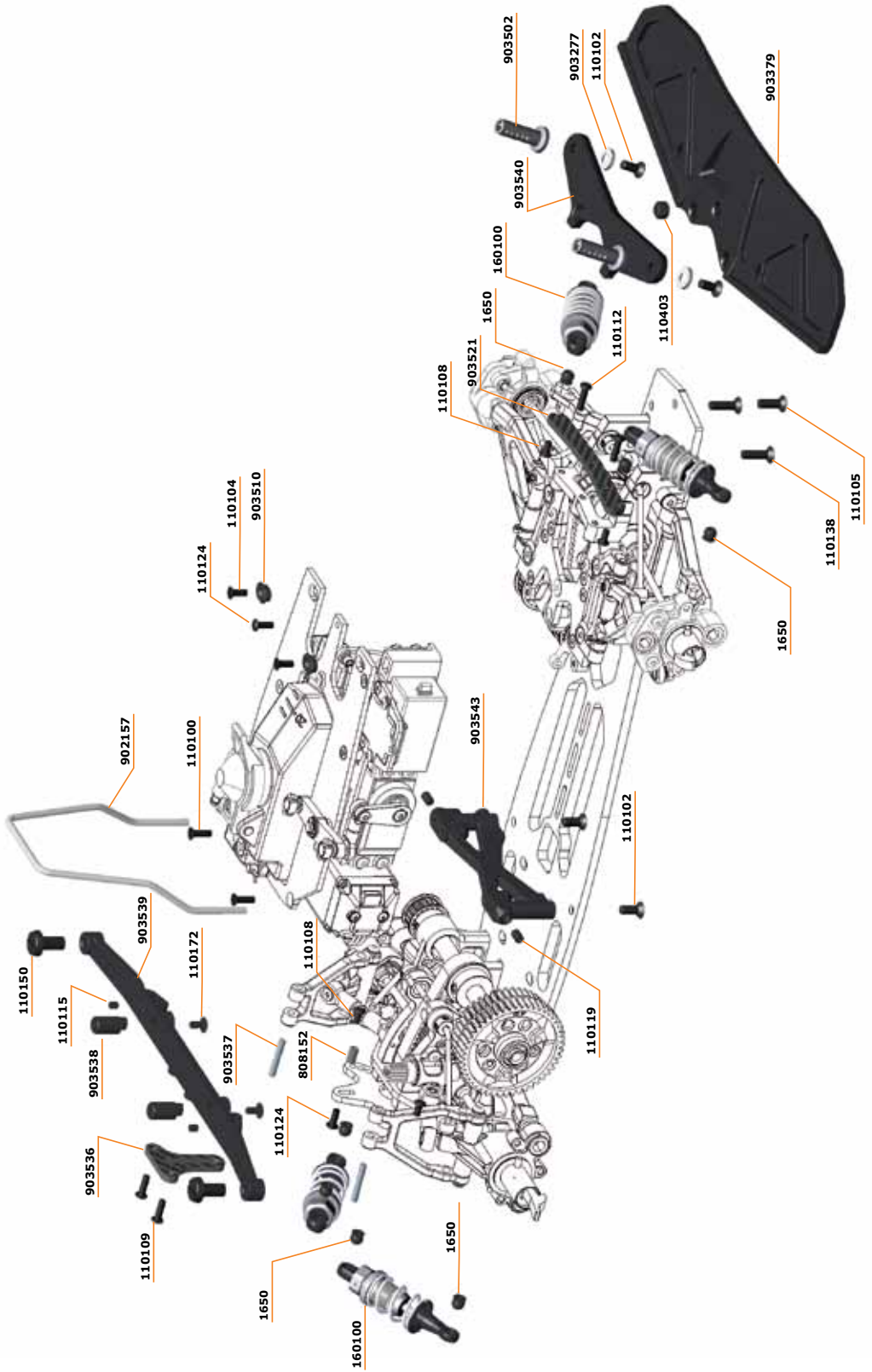




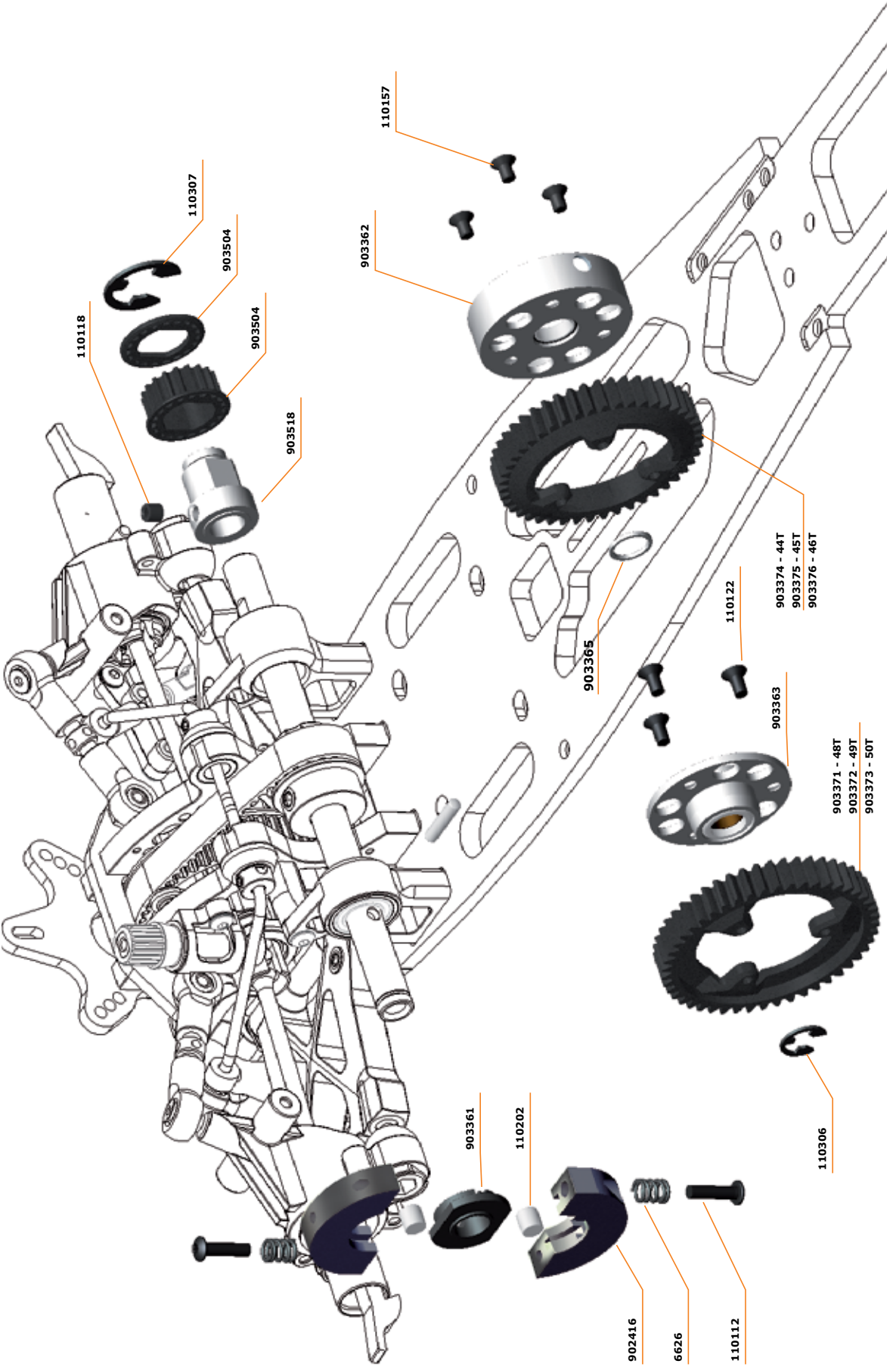
# EXPLODED VIEW: RADIO PLATE ASSEMBLY



# EXPLODED VIEW: BODY MOUNTING

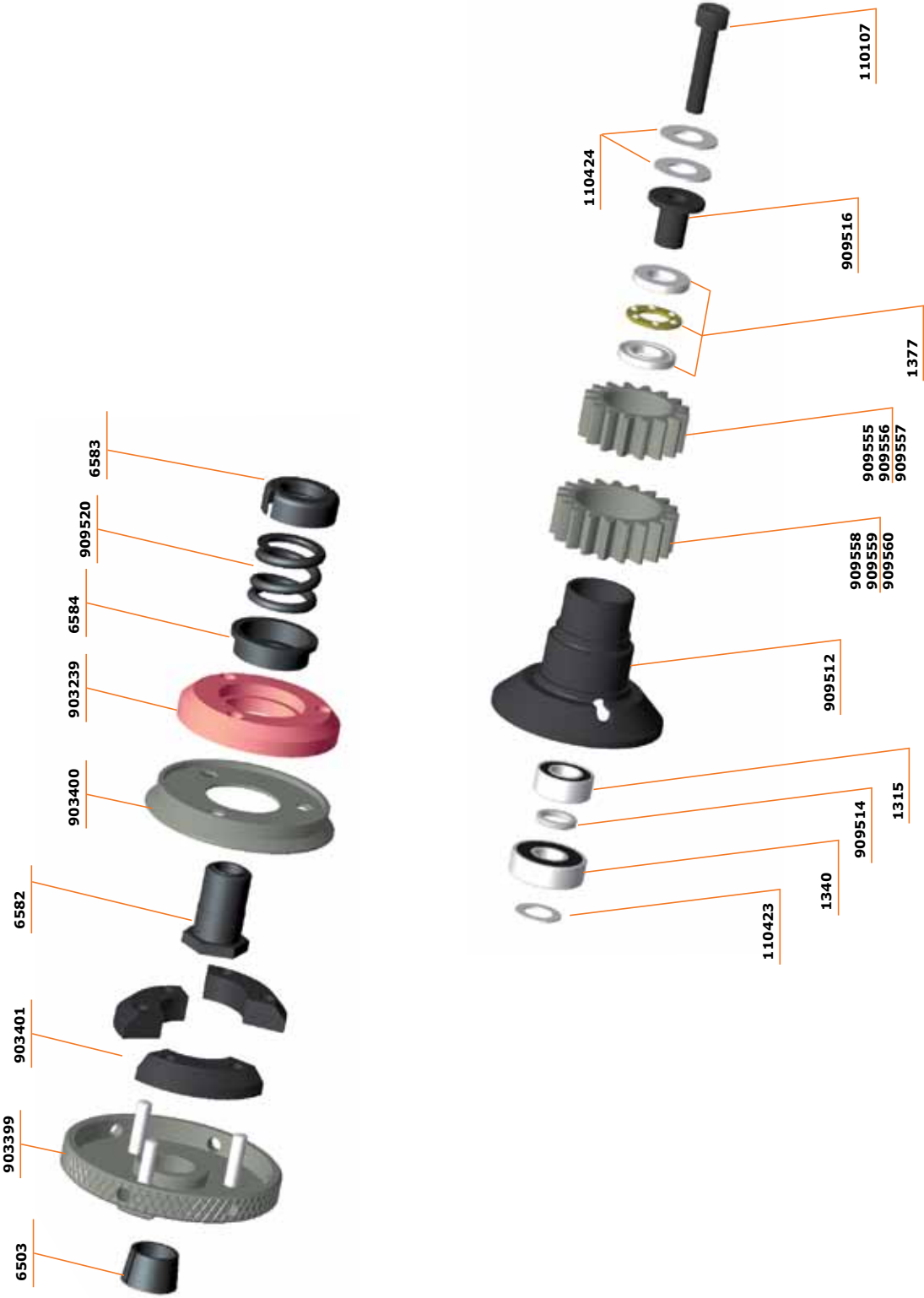


# EXPLODED VIEW: 2-SPEED ASSEMBLY



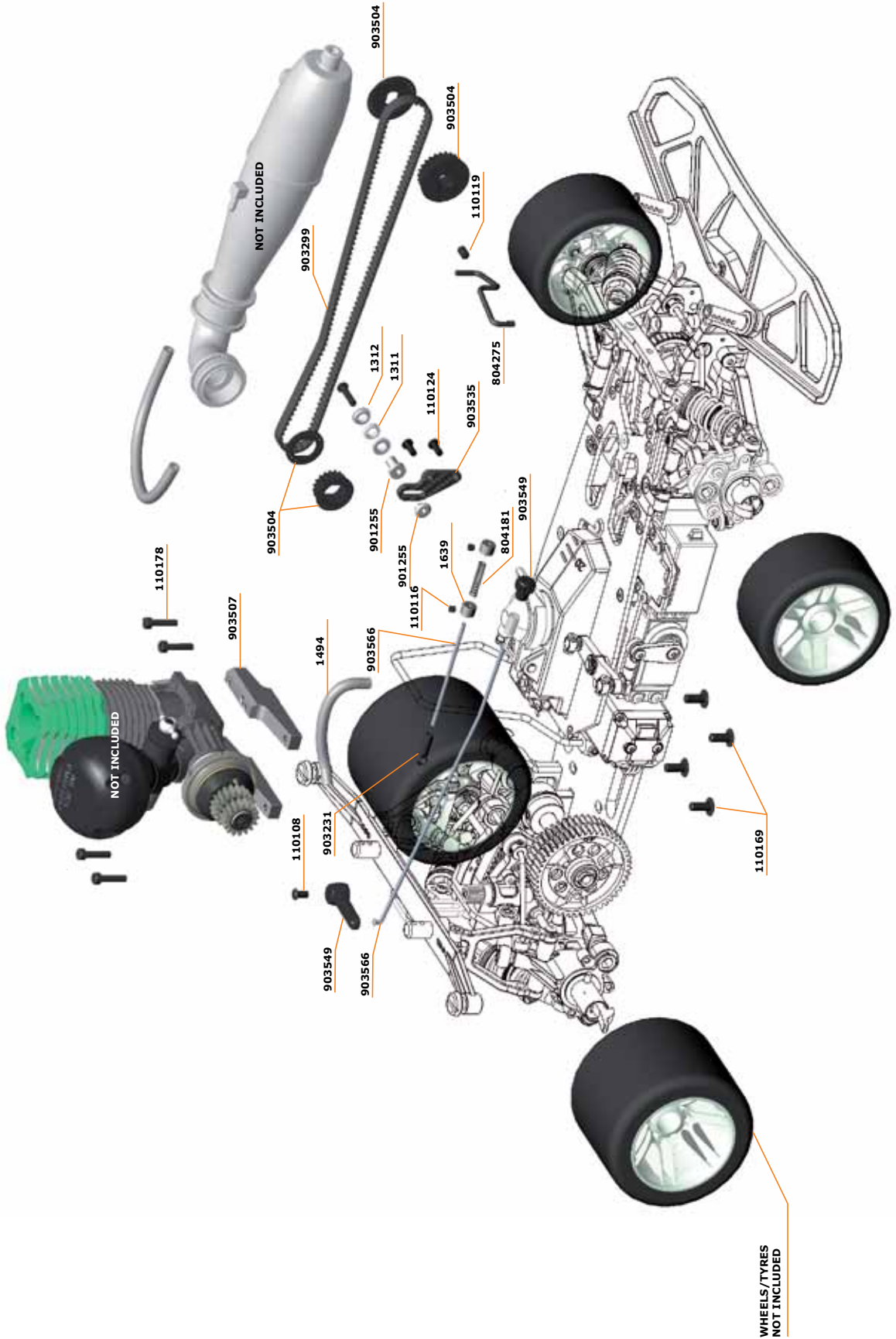


# EXPLODED VIEW: CENTAX CLUTCH ASSEMBLY





# EXPLODED VIEW: FINAL ASSEMBLY



## 903012 SERPENT 977 Viper 1/8 4WD KIT

### ART No. DESCRIPTION

#### MANUAL / DECALS

- 903604 Manual 977
- 903605 Decal sheet 977 black/white (2)
- 1887 Decal Serpent black/white 1/8 (2)

#### CHASSIS / RADIO PLATE

- 903506 Chassis alu 7075 T6 5mm
- 903543 Radioplate bracket
- 903606 Radioplate carbon

#### Optionals

- 903580 Weight bottom brass 38gr
- 903603 Radioplate bracket alu

#### RADIO INSTALLATION / BATTERY

- 1070 Grommet rubber soft (4)
- 1602 Tank-clips small (10)
- 1606 Antenna rod black (2)
- 1639 Collar alu 2.1+setscrew (4)
- 1650 Steel balls 5.8mm (4)
- 600500 Servo spacers (8)
- 804181 Throttle spring (2)
- 902115 Mounting-pin tank + rubber cap (2)
- 902116 Cap rubber for mounting pin tank (2)
- 902157 Roll-bar chrome
- 902170 Shaft throttle-brake lever
- 903231 Ball-joints frame 14+6+2
- 903519 Radiobox set
- 903530 Throttle lever set (2+1)
- 903543 Radioplate bracket
- 903549 Brake lever set (1+1+1)
- 903559 Battery mount set (1+2)
- 903560 Servo lever set (3+3)
- 903565 Grommet rubber big (4)
- 903566 Throttle/brake linkage (1+1)

#### Optionals

- 804214 Steering lever 23T alu
- 804215 Steering lever 24T alu
- 804216 Steering lever 25T alu
- 903588 Throttle lever alu
- 903603 Radioplate bracket alu
- 903576 Flex system front
- 903577 Transponder mount carbon

#### FRONT SECTION

- 1652 Steel balls 5.8mm long (4)
- 9212 Inner driveshaft adapter
- 401025 Pivotball-uni-4-5mm (20)
- 401058 Rod threaded arb L/R 16mm (4)
- 411048 Adjust nut for front suspension
- 411063 Pivot ball threaded upper arm (2)
- 411206 Balljoint 4.5 (4)
- 411207 Balljoint 4.5 short (2)
- 803198 Adj nut pivotball 8.5mm nylon (10)
- 804117 Pivot pin FR lw (2)
- 808214 Spacer-set caster (3)
- 808346 Pivot-balls 8.5mm (2)
- 902128 Track-rod set (2)
- 902134 Servo-saver shaft outer
- 902135 Servo-saver pre-tension nut
- 902139 Servo saver spring hard
- 902271 Springs quick-change short (4)
- 902280 Wheel-axles cvd set FR
- 902281 Driveshaft-set cvd FR
- 902282 Insert steel cvd (2)
- 903231 Ball-joints frame 14+6+2
- 903266 Wheel-axles cvd OS2 FR (2)
- 903267 Lever alu/spring/pin OS2 FR (2)
- 903290 Shim alu wheelaxle OS2 18x12x1mm (4)
- 903341 Antirollbar ball 3mm (2)
- 903343 Antirollbar spacer 3mm (2)

- 903500 Belt front 60S3M213 low friction
- 903504 Pulley-set side (2)
- 903505 Pulley-set front (2)
- 903508 Suspension bracket FR up inserts (4+4)
- 903509 Excenter-set nylon FR/RR
- 903512 Steeringblock lever alu (2)
- 903513 Middle shaft
- 903514 Bracket stiffner/radioplate mount L+R
- 903516 Pivot pin FR up (2)
- 903521 Shocktower FR carbon
- 903523 Steeringblock excenters 0 + 1.5 (4+4)
- 903524 Steeringblock (2)
- 903525 Stiffner plate FR carbon
- 903526 Support radioplate FR alu
- 903527 Suspension bracket FR lw (4+4)
- 903528 Suspension bracket FR up alu (2)
- 903542 Bearing bracket FR up
- 903544 Shock extension bracket FR alu (2)
- 903554 Bearing bushing 2-speed/mid axle (2+2)
- 903555 Bearing bushing antiroll bar FR+RR (2+2)
- 903556 Wishbone FR lw L+R
- 903557 Antiroll bar FR medium
- 903562 Bearingblock FR (2)
- 903563 Wishbone FR up (2)
- 903564 Middle shaft bearing block alu
- 903568 Servo saver set
- 903569 Servosaver shaft bushing (2)
- 903570 Servo saver shaft inner
- 903574 Oneway front axle

#### Optionals

- 804253 Pivotball 5.8mm alu coated long (4)
- 903378 Wheelaxle front OS2 alu (2)
- 903342 Antirollbar ball 2.5mm (2)
- 903344 Antirollbar spacer 2.5mm (2)
- 903396 Pivot-balls 8.5mm titanium (8)
- 903579 Rim cover FR carbon (2)
- 903581 Steeringblock lever carbon (2)
- 903582 Shock extension bracket FR carbon (2)
- 903584 Antiroll bar FR soft
- 903585 Antiroll bar FR hard
- 903589 Servosaver bottom alu (2)
- 903592 Pulley middle axle 25T alu
- 903593 Pulley middle axle 18T alu
- 903594 Pulley front axle 28T alu
- 903601 Driveshaft cvd FR alu (2)
- 903602 Bracket stiffner/radioplate mount L+R alu

#### MIDDLE SECTION

- 1494 Silicone tubing 2x5x50 white
  - 1639 Collar alu 2.1+setscrew (4)
  - 804181 Throttle spring (2)
  - 804275 Exhaust mount spring (2)
  - 901255 Belt tensioner shaft and nut
  - 903231 Ball-joints frame 14+6+2
  - 903299 Belt side 60S3M432 Low Friction
  - 903504 Pulley-set side (2)
  - 903507 Enginemount alu L+R
  - 903535 Belt tensioner plate carbon
  - 903549 Brake lever set (1+1+1)
  - 903566 Throttle/brake linkage (1+1)
- #### Optionals
- 903592 Pulley middle axle 25T alu
  - 903593 Pulley middle axle 18T alu
  - 903598 Mono enginemount alu

#### FUEL TANK AND PARTS

- 1493 Pressure nipple m3 (4)
- 1494 Silicone tubing 2x5x50 white
- 903573 Tank 125cc on-road 977

#### REAR SECTION

- 401025 Pivotball uni 4.5mm (20)
- 411206 Balljoint 4.5 (4)
- 803198 Adj nut pivotball 8.5mm nylon (10)



804285 Brake spring 747 (2)  
 808346 Pivot-balls 8.5mm (2)  
 902138 Rod threaded L+R (2)  
 902271 Springs quick-change short (4)  
 903156 Driveshaft rear 62mm (2)  
 903231 Ball-joints frame 14+6+2  
 903263 Track-rod with hole 22mm (2)  
 903268 Wheel-axles OS2 RR (2)  
 903269 Lever alu/spring/pin OS2 RR (2)  
 903273 Ball 6.8mm steel (2)  
 903341 Antirollbar ball 3mm (2)  
 903343 Antirollbar spacer 3mm (2)  
 903357 Connectorset rear 966 (2+2)  
 903364 2-speed shaft SL8  
 903395 Camberlink ball-end 6.8mm (4)  
 903501 Belt rear 80S3M201 low friction  
 903503 Pulley-set rear (2)  
 903509 Excenter-set nylon FR/RR  
 903511 Brake excenter holder alu  
 903515 Pivot insert nylon RR (4+4)  
 903517 Pivot pin RR lw (2)  
 903520 Rearplate alu  
 903522 Shocktower RR carbon  
 903529 Suspension bracket RR-FR alu  
 903531 Upright (2)  
 903532 Wishbone RR lw (2)  
 903533 Bearingblock RR up (2)  
 903534 Bearingblock RR lw (2)  
 903541 Camberbracket RR carbon  
 903545 Shock extension bracket RR alu (2)  
 903546 Brake pad bushing (2)  
 903547 Solid axle RR  
 903548 Brake disk steel (2)  
 903549 Brake lever set (1+1+1)  
 903550 Brake cam alu  
 903551 Bearingblock 2speed alu L 977  
 903552 Bearingblock 2speed alu R 977  
 903553 Pivotball threaded RR (2)  
 903554 Bearing bushing 2-speed/mid axle (2+2)  
 903555 Bearing bushing antiroll bar FR+RR (2+2)  
 903558 Antiroll bar RR medium  
 903561 Brake bushing cylinder  
 903364 2-speed shaft SL8  
 903567 Wheelbase spacer RR (2+2)  
 903571 Pulley adaptor 21T  
 903572 Brake pin (2)  
 903575 Brake pad (2)

#### Optionals

903342 Antirollbar ball 2.5mm (2)  
 903344 Antirollbar spacer 2.5mm (2)  
 903391 Cvd axle set RR (2)  
 903392 Wheelaxle cvd RR (2)  
 903393 Driveshaft cvd RR (2)  
 903396 Pivot-balls 8.5mm titanium (8)  
 903398 Wheelaxle cvd RR alu (2)  
 903578 Rim cover RR carbon (2)  
 903583 Shock extension bracket RR carbon (2)  
 903586 Antiroll bar RR soft  
 903587 Antiroll bar RR hard  
 903590 Pulley 2-sp axle 19T alu  
 903591 Pulley 2-sp axle 21T alu  
 903595 Pulley rear axle 48T alu  
 903596 Pulley adaptor 21T light  
 903597 Pulley adaptor 19T light  
 903599 Solid axle RR light  
 903600 Driveshaft cvd RR alu (2)

#### 2-SPEED GEARBOX

6626 Springs / screws 2-speed  
 902416 2-speed clutch shoes set LC  
 903360 2-speed gearbox SL8 upgrade  
 903361 Adaptor 2-speed SL8  
 903362 Gearbox housing SL8  
 903363 Gearbox drive flange SL8

903364 2-speed shaft SL8  
 903365 2-speed gearbox spacer (3)  
 903370 2-speed gear set SL8 (6)  
 903371 2-speed gear 48T SL8  
 903372 2-speed gear 49T SL8  
 903373 2-speed gear 50T SL8  
 903374 2-speed gear 44T SL8  
 903375 2-speed gear 45T SL8  
 903376 2-speed gear 46T SL8

#### CLUTCH SYSTEM

6503 Flywheel cone (3)  
 6582 Centax clutch-nut  
 6583 Centax pre-load adjusting nut  
 6584 Centax spring cup  
 6585 Centax thrust washer  
 903239 Centax-2 clutch-shoe red  
 903397 Clutch-set Centax True Motion 1/8  
 903399 Flywheel Centax True Motion 1/8  
 903400 Clutch support disk Centax True Motion 1/8  
 903401 Flyweights Centax True motion (3)  
 909512 Centax II clutch-housing universal  
 909514 Centax II bearing spacer 5x7  
 909516 Centax II spacer thrustbearing  
 909520 Centax II coilspring 1.8  
 909555 Centax gear-pinion alu. 15T  
 909556 Centax gear-pinion alu. 16T  
 909557 Centax gear-pinion alu. 17T  
 909558 Centax gear-pinion alu. 18T  
 909559 Centax gear-pinion alu. 19T  
 909560 Centax gear-pinion alu. 20T

#### Optionals

903199 Centax fly-weights SPP (3)  
 903222 Centax II revision-set  
 903224 Gear pinion set Centax II  
 6587N Centax clutch shoe yellow  
 6587XP Centax clutch shoe black XP

#### SHOCK ABSORBERS

6442 O-ring adj.nut (10)  
 160100 Shockset RCM on-road short (2)  
 160102 Shock RCM shaft short (2)  
 160104 Shock RCM body alu (2)  
 160105 Shock RCM bottom (2)  
 160106 Shock RCM top nut (2)  
 160107 Shock RCM membrane (4)  
 160108 Shock RCM bushings (8)  
 160110 Shock RCM bottom O-ring (8)  
 160111 Shock RCM parts frame nylon short (14)  
 160112 Shock RCM parts frame nylon long (14)  
 160121 Shock top RCM shock (2)  
 160122 Shock balljoint short on-road (2)  
 160123 Shock balljoint long on-road (2)  
 909405 Shock adj nut alu +o-ring (4)

#### Optionals

160109 Shock RCM bushing machined (8)  
 160115 Shock RCM shaft short TiN coated (2)  
 160117 Shock piston RCM machined 1-hole (4)  
 160118 Shock piston RCM machined 2-hole (4)  
 160119 Shock piston RCM machined 3-hole (4)  
 160120 Shock piston RCM machined 4-hole (4)

#### SHOCK SPRINGS

160303 Spring red L23 (4.1/23.5) (2)  
 160304 Spring pink L23 (4.0/28) (2)  
 160305 Spring blue L23 (5.8/33) (2)  
 160306 Spring purple L23 (6.8/39) (2)  
 160307 Spring green L23 (8/45.5) (2)  
 160308 Spring grey L23 (9/51.5) (2)  
 160309 Spring black L23 (10/57) (2)  
 160310 Spring-set short (5x2)  
 160323 Spring red L27 (4.1/23.5) (2)  
 160324 Spring pink L27 (4.0/28) (2)  
 160325 Spring blue L27 (5.8/33) (2)

160326 Spring purple L27 (6.8/39) (2)  
160327 Spring green L27 (8/45.5) (2)  
160328 Spring grey L27 (9/51.5) (2)  
160329 Spring black L27 (10/57) (2)  
160330 Spring-set long (5x2)

#### **BODYMOUNTS FR and RR**

1601 Body clips (10)  
1650 Steel balls 5.8mm (4)  
1729 Screw-nut M6 black nylon (2)  
808152 Centering bushing threaded  
903277 Washer alu conic M4 (4)  
903379 Bumper 966 aereo  
903502 Body post alu eccentric short (2)  
903521 Shocktower FR carbon  
903536 T bracket bodymount RR carbon  
903537 Bodymount pivot pin (2)  
903538 Bodysupport long + short RR (2+2)  
903539 Bodymount RR  
903540 Bodymount FR

#### **BALL-BEARINGS**

1310 Ballbearing 4x7 flanged (2)  
1311 Ballbearing 5x8x2.5 (2)  
1312 Ballbearing 5x8 mm flanged (2)  
1313 Ball-bearing (5x8) + (5x10) flanged  
1314 Ballbearing 6x12 (2)  
1315 Ballbearing 5x10x4 (2)  
1316 Ballbearing 5x9 (2)  
1320 Ballbearing 6x10 flanged (2)  
1321 Ballbearing 6x10x3 (2)  
1326 Ballbearing 7x14  
1337 Ballbearing 15x21x4 (2)  
1338 Ballbearing 5x8x2.5 (2)  
1340 Ball-bearing 5x13 hs (2)  
1342 Ball-bearing 6x13 hs (2)  
1343 Ball-bearing 6x15 hs (2)  
1344 Ball-bearing 10x15x4 hs (2)  
1345 Ball-bearing 10x19 hs (2)  
1346 Ball-bearing 12x18 hs (2)  
1347 Ball-bearing 12x21 hs (2)  
1348 Ball-bearing 15x24 hs (2)  
1349 Ball-bearing 8x14x4 (2)  
1361 Ballbearing 10x19 blue (2)  
1371 Thrust bearing 7x15  
1372 Thrust bearing 4x9  
1373 Thrust bearing 6x14  
1375 Thrust bearing 7x13x4.5mm  
1377 Thrust-bearing 5x10 centax  
1378 Balls ceramic coated 4mm (12)  
1388 Thrust-bearing 5x10 ceramic  
1393 Ballbearing 13x19x4 SS (2)  
1394 Ballbearing 8x14x4 flanged SS (2)  
1395 Ballbearing 8x19x6 SS (2)  
1396 Ballbearing 8x16x5 SS (2)  
1397 Ball bearing 8x12x3.5 SS (2)

#### **HARDWARE**

110101 screw allen countersunk m4x8 (10)  
110102 screw allen countersunk m4x10 (10)  
110103 screw allen countersunk m4x16 (10)  
110104 Screw allen countersunk M3x8 (10)  
110105 screw allen countersunk m4x12 (10)  
110106 screw allen flanged roundhead m5x12 (10)  
110107 screw allen cilinderhead m3x16 (10)  
110108 screw allen roundhead m3x6 (10)  
110109 screw allen roundhead m3x10 (10)  
110110 screw allen roundhead m3x16 (10)  
110111 screw allen roundhead m3x14 (10)  
110112 screw allen roundhead m3x12 (10)  
110113 screw allen roundhead m4x8 (10)  
110114 setscrew allen m3x8 (10)  
110115 setscrew allen m3x4 (10)  
110116 setscrew allen m3x3 (10)

110117 setscrew allen m3x12 (10)  
110118 setscrew allen m4x4 (10)  
110119 setscrew allen m4x6 (10)  
110120 setscrew allen m4x10 (10)  
110121 setscrew allen m5x6 (10)  
110122 screw allen countersunk m3x6 (10)  
110123 screw philipshead roundhead 3.5x13 (10)  
110124 screw allen roundhead m3x8 (10)  
110125 screw allen countersunk m3x20 (10)  
110126 screw allen countersunk m2.5x12 (10)  
110127 Screw allen countersunk m3x12 (10)  
110128 Screw allen roundhead m3x5 (10)  
110129 Screw allen cilinderhead m3x10 (10)  
110130 Screw allen roundhead m2.5x6 (10)  
110131 Screw allen roundhead m2.5x10 (10)  
110132 Screw allen countersunk m3x16 (10)  
110133 Screw philipshead countersunk 2.5x8 wide (10)  
110134 Screw philipshead countersunk 2.5x10 wide (10)  
110135 Screw allen countersunk M2.5x10 (10)  
110136 Screw allen countersunk M2.5x8 (10)  
110137 Setscrew allen M3x6 (10)  
110138 Screw allen countersunk M4x14 (10)  
110139 Screw allen countersunk M3x40 (10)  
110140 Screw allen roundhead M3x20 (10)  
110141 Screw allen roundhead M3x22 (10)  
110142 Screw allen roundhead M3x25 (10)  
110143 Screw allen roundhead M4x18 (10)  
110144 Screw allen roundhead M3x18 (10)  
110145 Screw allen roundhead flanged M3x12 (10)  
110146 Screw allen roundhead flanged M3x16 (10)  
110147 Screw ph roundhead widethread 2.5x5 (10)  
110148 Setscrew allen M5x4 (10)  
110149 Screw allen countersink M2x10 (10)  
110150 Screw M6x12 nylon black (2)  
110151 Screw allen cilinderhead M4x10 (10)  
110152 Screw allen cilinderhead M3x8 (10)  
110153 Screw allen roundhead M2.3x4(10)  
110154 Setscrew allen M3x10 (10)  
110155 Setscrew allen M3x5 (10)  
110156 Screw allen countersunk M2.2x6 (10)  
110157 Screw allen countersunk M3x5 (10)  
110158 Screw allen countersunk M3x15 (10)  
110159 Screw allen countersunk M3x18 (10)  
110160 Screw allen cilinderhead M2.2x12 (10)  
110161 Screw allen cilinderhead M2x6 (10)  
110162 Setscrew allen M3x2.5 (10)  
110163 Setscrew allen M3x2 (10)  
110164 Screw allen roundhead M3x4 (10)  
110165 Screw allen cilinderhead M2x5 (10)  
110166 Screw allen countersunk M2.5x5 (10)  
110167 Screw allen roundhead flanged M3x18 (10)  
110168 Screw allen roundhead flanged M3.5x10 (10)  
110169 Screw allen roundhead flanged M4x10 (10)  
110170 Screw allen roundhead flanged M3x28 (10)  
110171 Screw ph roundhead widethread 2.5x6 (10)  
110172 Screw allen roundhead flanged M3X6 (10)  
110173 Screw ph countersunk widethread 2.5x12 (10)  
110174 Screw allen countersunk M4x6 (10)  
110175 Screw allen cilinderhead M3x40 (10)  
110176 Screw allen cilinderhead M3x18 (10)  
110177 Screw allen roundhead M4x12 (10)  
110178 Screw allen cilinderhead M3x14 (10)  
110179 Screw allen roundhead M2.5x8 (10)  
110180 Setscrew allen M5x10 (10)  
110181 Screw M5x10 + Nut nylon black (4+4)  
110200 Pin 2.5x8 (10)  
110201 Pin 3x12 (10)  
110202 Pin 5x5 (10)  
110203 Pin 3x14 (10)  
110204 Pin 3x20 (10)  
110205 Pin 3x22 (10)  
110206 Pin 2.5x22 (10)  
110207 Pin 2.5x12 (10)  
110208 Pin nra 2x9.8 (4)

110209 Pin nra 2x18 (4)  
 110210 Pin 3x13 (10)  
 110211 Pin 2.5x13 (10)  
 110212 Pin 2.5x17 (10)  
 110213 Pin 2.5x10 (10)  
 110214 Pin 3x15 (10)  
 110215 Pin 2x12 (10)  
 110216 Pin 2.5x15 (10)  
 110217 Pin 2x9 (10)  
 110218 Pin 3x10 (10)  
 110219 Pin 2x14 (10)  
 110300 E-clip 2.3 (10)  
 110301 E-clip 3.2 (10)  
 110302 E-clip 4.0 (10)  
 110303 E-clip 5.0 (10)  
 110304 E-clip 7.0 (10)  
 110305 Seger clip 12x1.0 (10)  
 110306 E-clip 6.0 (10)  
 110307 E-clip 9.0 (10)  
 110400 Shim 6.0x10x0.2(10)  
 110401 Shim3.2x7x0.5 (10)  
 110402 Nut nylock M3 (10)  
 110403 Nut nylock M4 (10)  
 110404 Shim 6x8x0.3 (10)  
 110405 Nut nylock M4 flanged (10)  
 110406 Nut nylock M2.2 (10)  
 110407 Nut M3 (10)  
 110408 Shim 3X5X0.3 (10)  
 110409 Shim 3X5X1 (10)  
 110410 Shim 3X5X2 (10)  
 110411 Shim 3X5X4 (10)  
 110412 Shim 3.5X8X1 (10)  
 110413 Shim 3.5X12X0.2 (10)  
 110414 Shim 3X6X0.1 (10)  
 110415 Shim 3X6X0.5 (10)  
 110416 Shim 3X6X0.8 (10)  
 110417 Shim 3X6X3 (10)  
 110418 Shim 4X8X0.1 (10)  
 110419 Shim 4X9.5X1 (10)  
 110420 Shim 4X9.5X2(10)  
 110421 Shim 4X9.5X4(10)  
 110422 Shim 4X10X0.3 (10)  
 110423 Shim 5X8X0.1 (10)  
 110424 Shim 5X8X0.3 (10)  
 110425 Shim 5X10X0.3 (10)  
 110426 Shim 5X10X0.5 (10)  
 110427 Shim 5X15X0.3 (10)  
 110428 Shim 6.5X8X0.25 (10)  
 110429 Shim 6X11.75X0.2 (10)  
 110430 Shim 6X12X0.5 (10)  
 110431 Shim 8X11X0.1 (10)  
 110432 Shim 8X11X0.2 (10)  
 110433 Shim 12X15X0.25 (10)  
 110434 Shim 12X18X0.3 (10)  
 110435 Shim 13X16X0.2 (10)  
 110436 Shim 3x5x3 (10)  
 110437 Nut M2.5 (10)  
 110438 Shim 2.5x6x0.5 (10)  
 110439 Shim 3x7.5x1 (10)  
 110440 Shim 2.5x5x0.4 (10)  
 110441 Nut nylock M3 flanged (10)  
 110442 Shim 4x8x0.6 (10)  
 110443 Shim 5x15x0.2 (10)  
 110444 Nut M4 nylon (10)  
 110445 Shim 4x10x0.2 (10)

#### ACCESSORIES

190501 Tool-bag  
 190502 Pit-bag medium, 3 drawers  
 190503 Fuel bottle 500ml  
 190504 Ballcup tool  
 190505 Setup wheels 1/8 front and rear

#### MERCHANDISING

1896 Cap serpent black-orange  
 1887 Decal Serpent black/white 1/8 (2)  
 1889 Decal Serpent chrome 1/8 (2)  
 1890 Serpent large promo decal 40x25  
 1891 Serpent medium promo decal 20x12.5 (2)  
 1893 Serpent decal XL (30x60cm)  
 1897 Towel Serpent large 120x64cm  
 1898 Lanyard Serpent orange  
 1899 Towel Serpent orange/yellow large  
 190121 T-shirt Serpent LTS white (S)  
 190122 T-shirt Serpent LTS white (M)  
 190123 T-shirt Serpent LTS white (L)  
 190124 T-shirt Serpent LTS white (XL)  
 190125 T-shirt Serpent LTS white (XXL)  
 190127 T-shirt Serpent DTR orange (S)  
 190128 T-shirt Serpent DTR orange (M)  
 190129 T-shirt Serpent DTR orange (L)  
 190130 T-shirt Serpent DTR orange (XL)  
 190131 T-shirt Serpent DTR orange (XXL)  
 190132 T-shirt Serpent DTR black (S)  
 190133 T-shirt Serpent DTR black (M)  
 190134 T-shirt Serpent DTR black (L)  
 190135 T-shirt Serpent DTR black (XL)  
 190136 T-shirt Serpent DTR black (XXL)  
 190167 T-shirt Serpent LTS black (S)  
 190168 T-shirt Serpent LTS black (M)  
 190169 T-shirt Serpent LTS black (L)  
 190170 T-shirt Serpent LTS black (XL)  
 190171 T-shirt Serpent LTS black (XXL)  
 190172 Winter jacket Serpent black-orange hooded (M)  
 190173 Winter jacket Serpent black-orange hooded (L)  
 190174 Winter jacket Serpent black-orange hooded (XL)  
 190175 Winter jacket Serpent black-orange hooded (2XL)  
 190176 Winter jacket Serpent black-orange hooded (3XL)  
 190208 Winter jacket Serpent black-orange hooded (4XL)  
 190177 T-shirt Serpent LTS orange (S)  
 190178 T-shirt Serpent LTS orange (M)  
 190179 T-shirt Serpent LTS orange (L)  
 190180 T-shirt Serpent LTS orange (XL)  
 190181 T-shirt Serpent LTS orange (XXL)  
 190201 Hoody sweater Serpent black-zip (S)  
 190202 Hoody sweater Serpent black-zip (M)  
 190203 Hoody sweater Serpent black-zip (L)  
 190204 Hoody sweater Serpent black-zip (XL)  
 190205 Hoody sweater Serpent black-zip (2XL)  
 190206 Hoody sweater Serpent black-zip (3XL)  
 190207 Hoody sweater Serpent black-zip (4XL )

# 977 VIPER



[www.serpent.com](http://www.serpent.com) - [info@serpent.com](mailto:info@serpent.com)



#903604 Manual / ref guide 977 version 2