



INSTRUCTION MANUAL  
& REFERENCE GUIDE



The Serpent 966 is the next evolution of Serpent's hugely-successful 960 lineage, combining ultimate performance into a single package. The Serpent 966 was designed to be a world champion, while still being easy to use, assemble, and set up. You are now part of the worldwide network of Serpent drivers, which gives you superior technical support and access to many benefits that only Serpent drivers can enjoy.

The Serpent 966 offers many of the same specifications and features that made the Serpent 950/950R into top-competition racecars. Continuously pushing the performance envelope, Serpent's engineers have added many new and innovative features that can help take your Serpent 966 into the winner's circle: stronger reinforced components, easier roll-centre adjustment, redesigned braking system, improved rear suspension design, adjustable rear anti-roll bar, optional throttle servo positioning (laydown or upright), new improved shock absorbers, and new receiver pack configuration.

### INSTRUCTIONS

Serpent's long tradition of excellence extends to their instruction manuals, and this instruction manual is no exception. The easy-to-follow layout is richly illustrated with 3D-rendered full-color images to make your building experience quick and easy. Following the instructions will result in a well-built, high-performance racecar that will soon be able to unleash its full potential at the racetrack.

This instruction manual has been divided into sections that will logically lead you through the assembly process of your Serpent 966. Follow the assembly steps in the order presented to ensure that no problems occur during assembly. Each step indicates all the fasteners and small parts used. Bag numbers identify the kit bag(s) that contains the appropriate parts.

### EXPLODED VIEWS AND PARTS LIST

The exploded views and parts lists for the Serpent 966 are included in the back of this manual. The exploded views show all the parts of a particular assembly step along with the Serpent part number. The parts lists indicate the part number and name of each part for easy reference when ordering.

### SAFETY


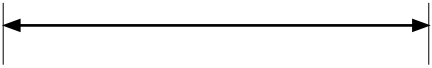








Included with your Serpent 966 kit is a document entitled "Read This First" that covers safety precautions for the assembly and use of this product. We strongly recommend that you thoroughly read and understand that document, and follow all the precautions.

# CONTENTS

FRONT ASSEMBLY	4
REAR ASSEMBLY	9
RADIO PLATE ASSEMBLY	15
GEARBOX ASSEMBLY	22
CENTAX ASSEMBLY	24
FINAL ASSEMBLY	27
REFERENCE GUIDE	32

# USING THE MANUAL

Each step contains a variety of numbers, lines, and symbols. The numbers represent the order in which the parts should be assembled. The lines and symbols are described below.

	Step number; the order in which you should assemble the indicated parts
	Length after assembly
	Assembly path of one item into another
	Group of items (within lines) should be assembled first
	Direction the item should be moved
	Glue one item to another
	Press/Insert one item into another
	Connect one item to another
	Gap between two items
	Apply graphite grease (GR), threadlock (TL), CA glue (CA) or One-way Lube (OW). (Items not included.)

## SERPENT.COM

The printed instruction manual included with your Serpent 966 kit is very complete, though due to continuous product development, more up-to-date information may be provided at our Serpent.com website.

All information about the Serpent 966 is accessible from the Serpent 966 product page which can be found on Serpent.com and can be accessed by simply typing **serpent.com/903009** into your web browsers address bar.

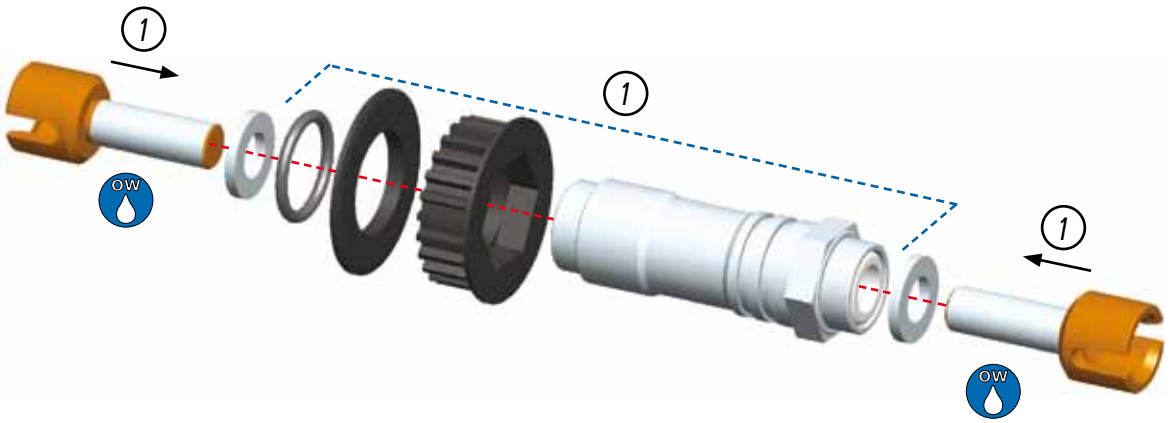
From the Serpent 966 product page you will find the very latest information about your Serpent 966: reports by team drivers and other experts, tips and tricks, setups, image gallery and downloadable files including the latest version of the instruction manual will be made available as downloadable PDF-files.

# FRONT ASSEMBLY

A

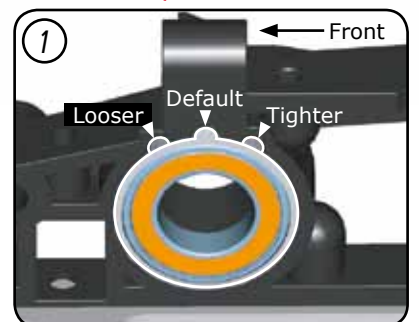
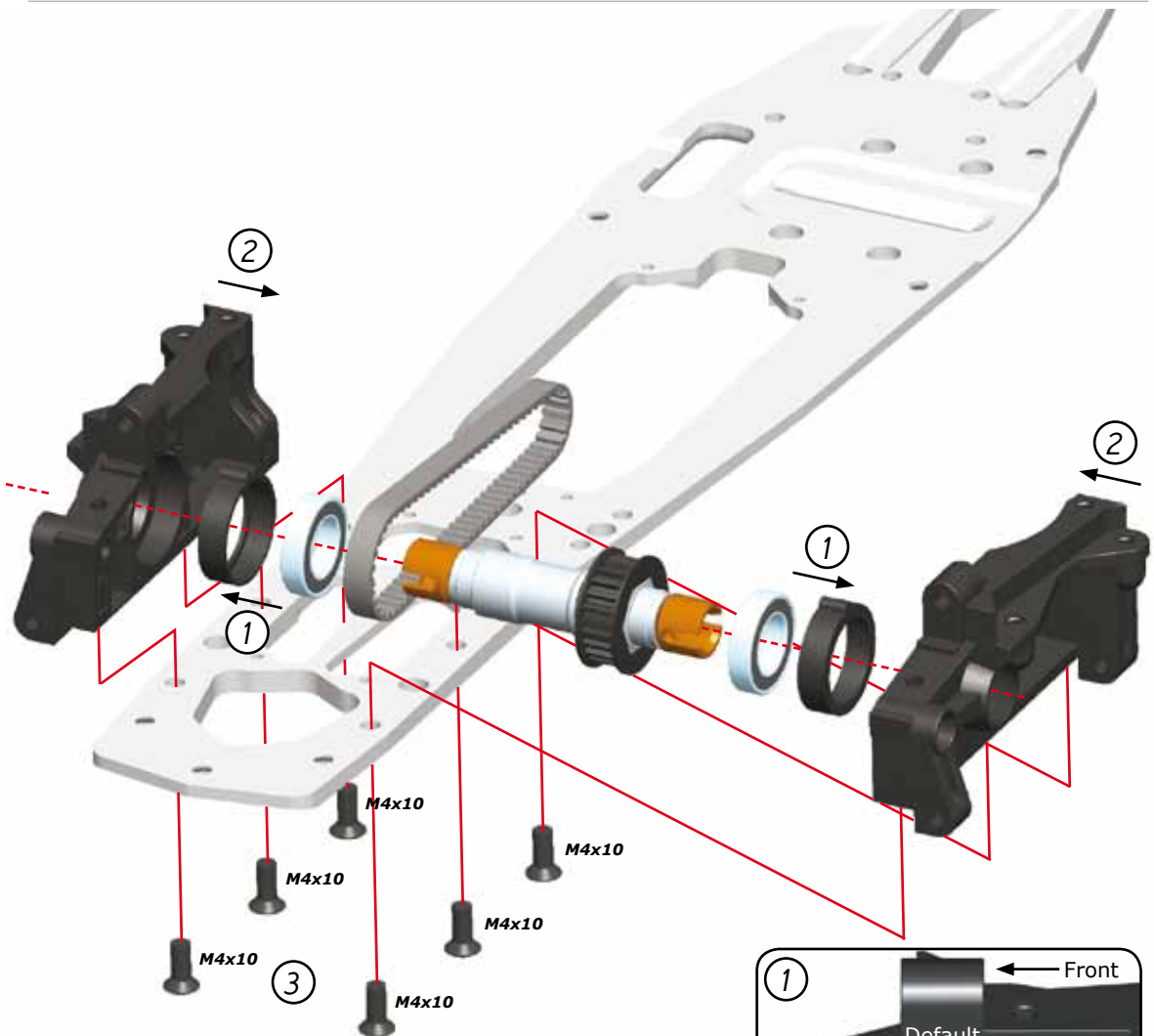
1

Bag  
1



A

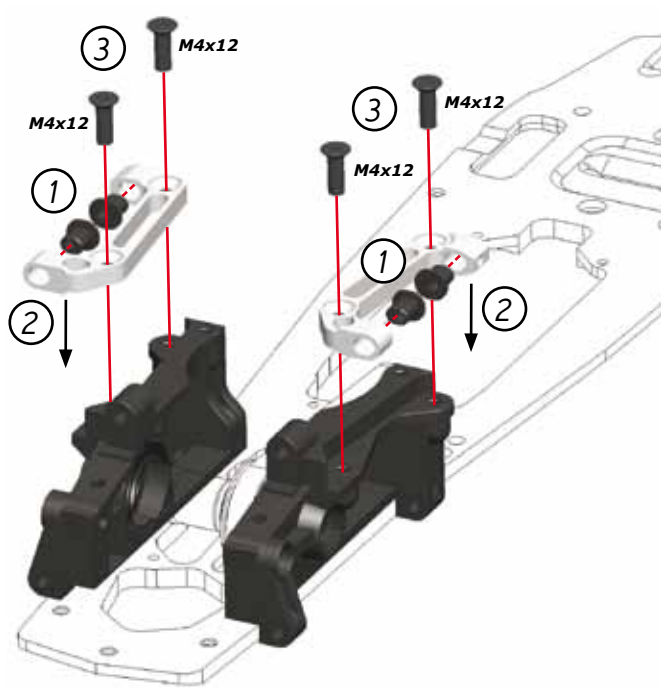
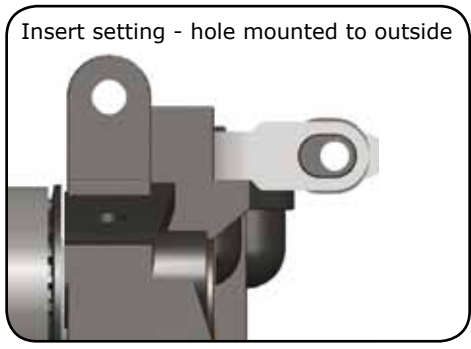
2



Change the position of **BOTH** eccentric hubs to adjust front belt tension. Both hubs should have the same position.

A

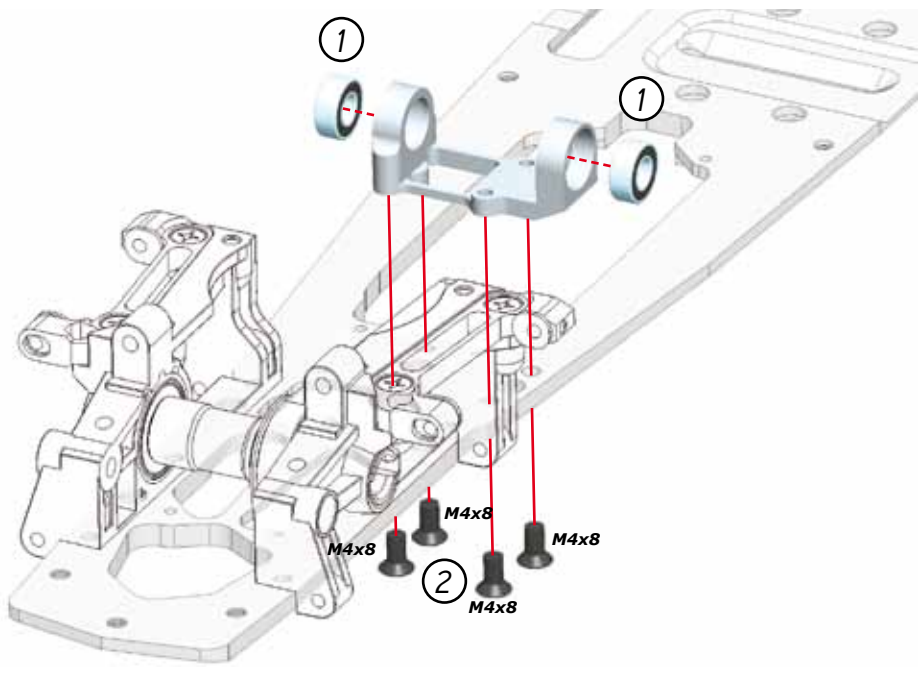
3



A

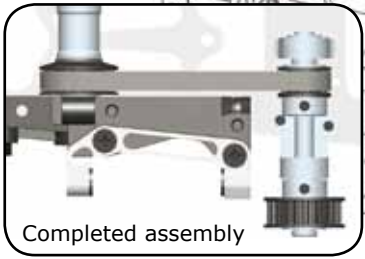
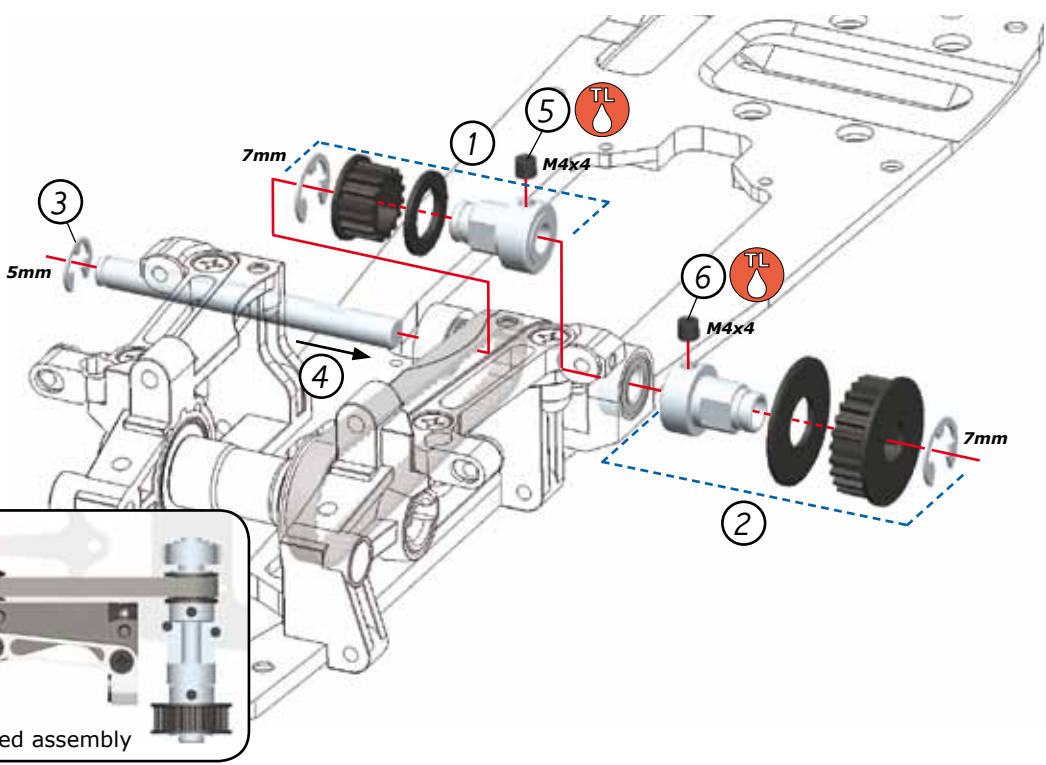
4

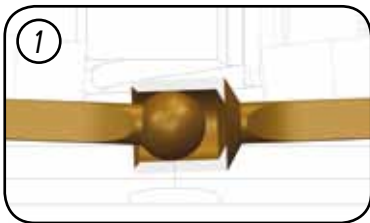
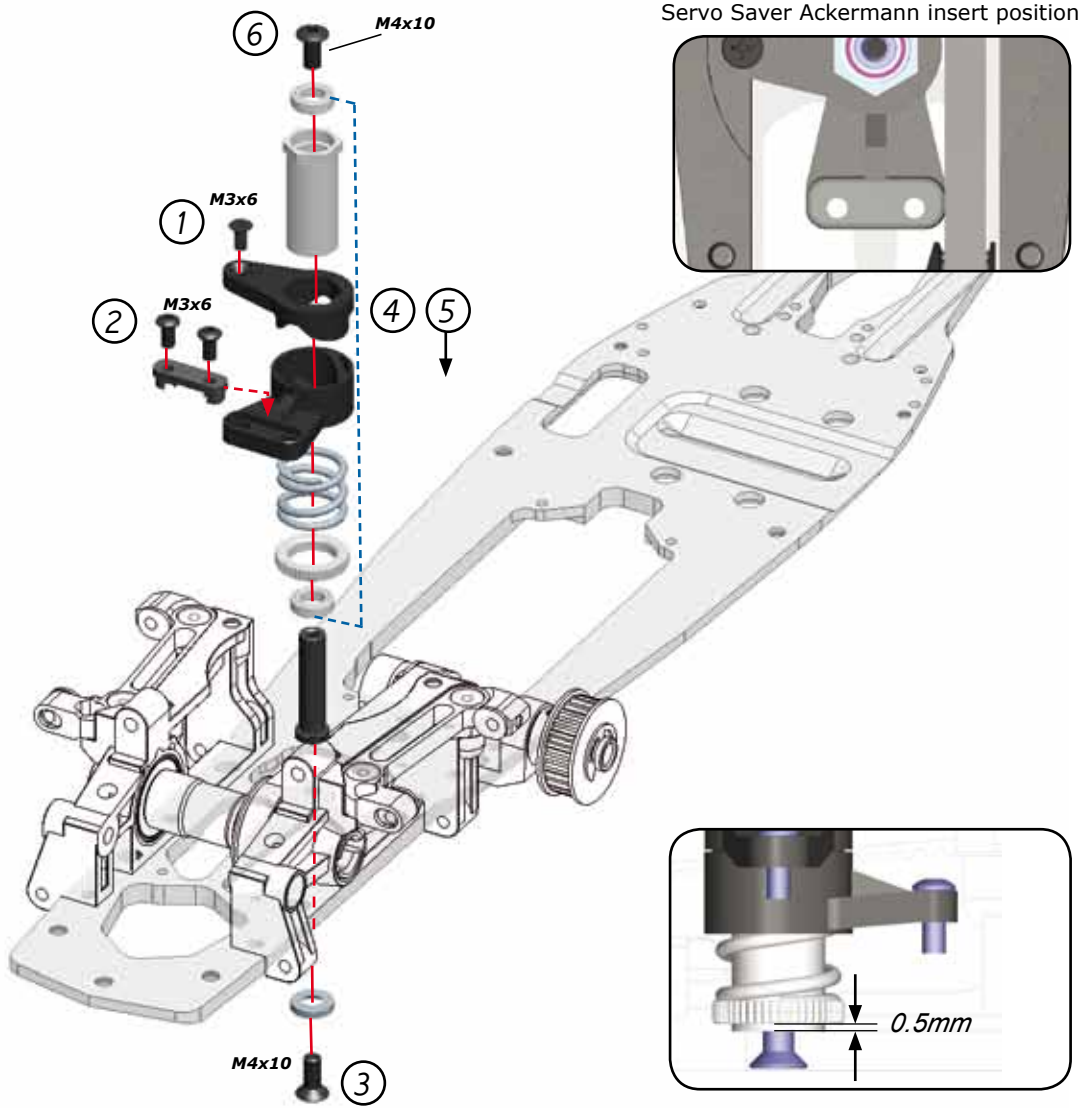
Bag 2



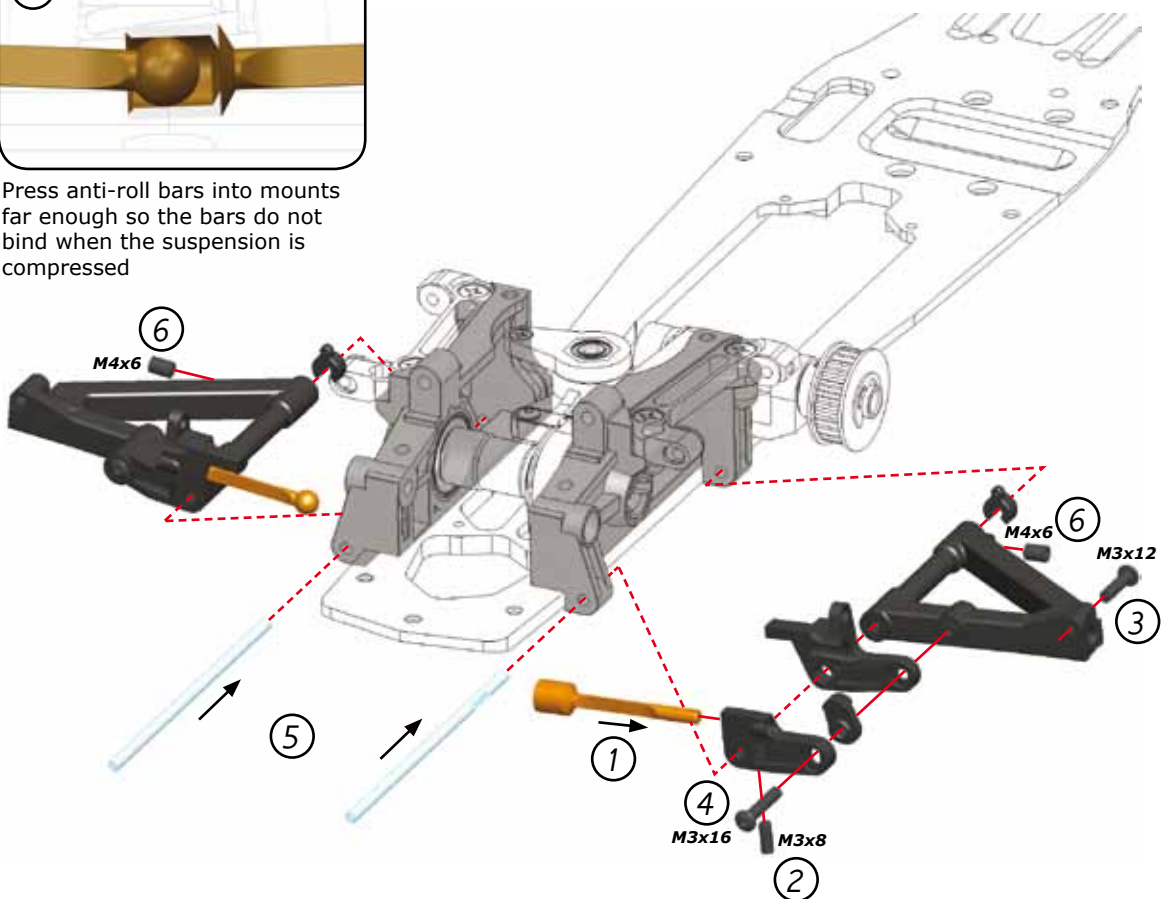
A

5

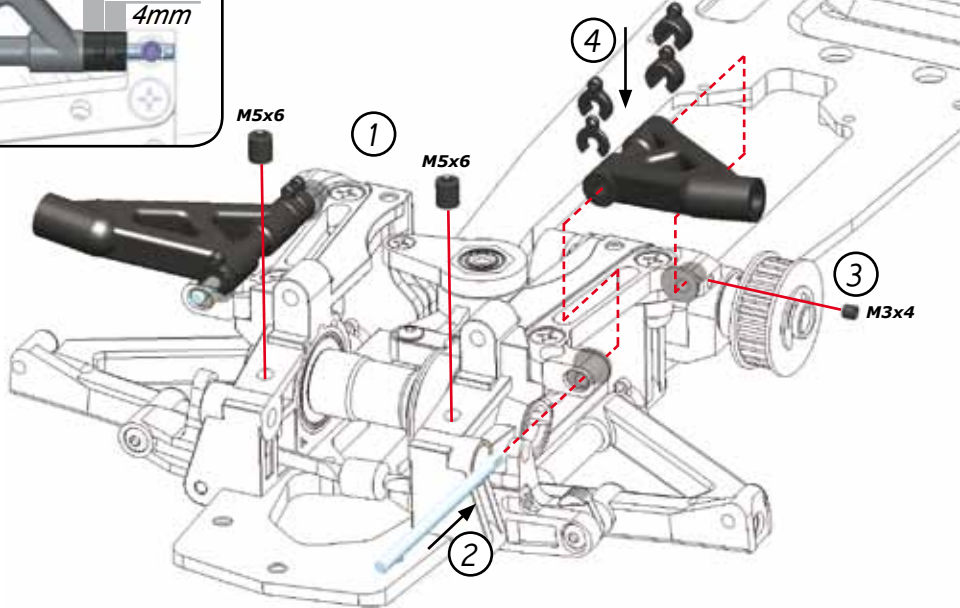
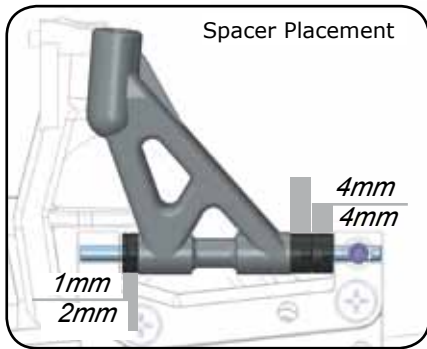




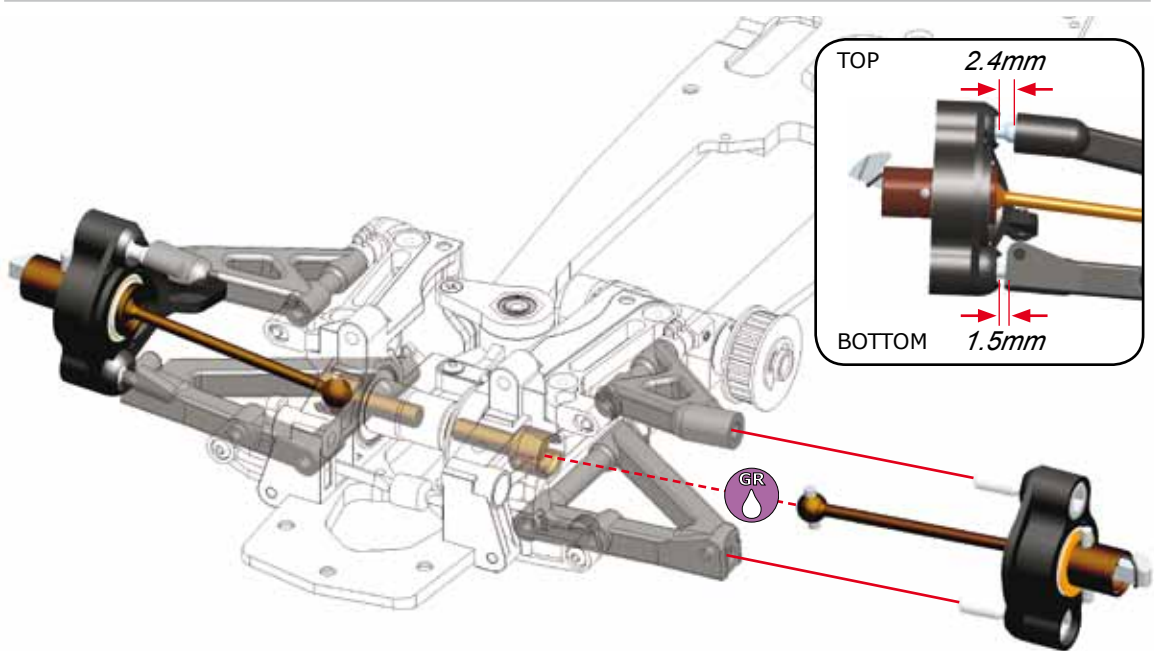
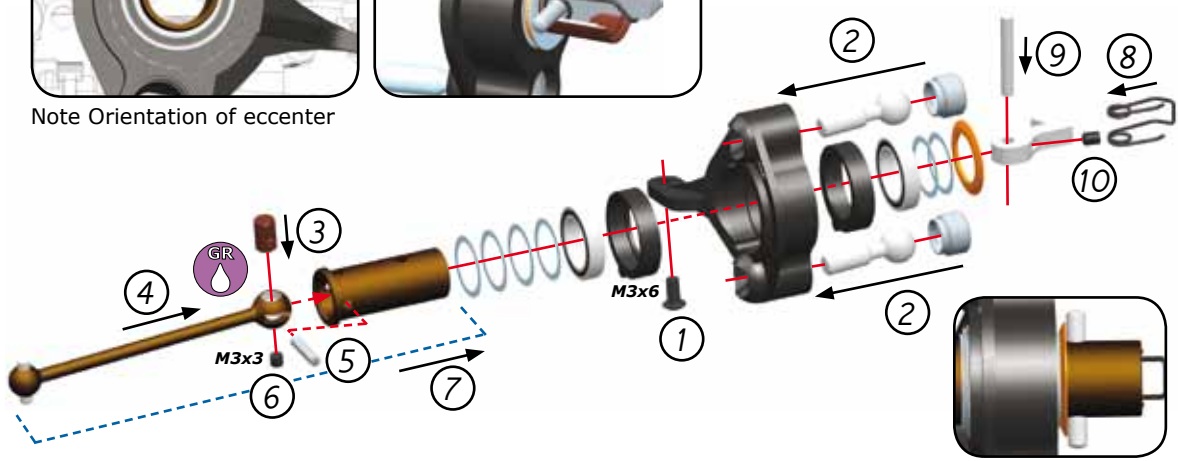
Press anti-roll bars into mounts far enough so the bars do not bind when the suspension is compressed







Note Orientation of eccentric

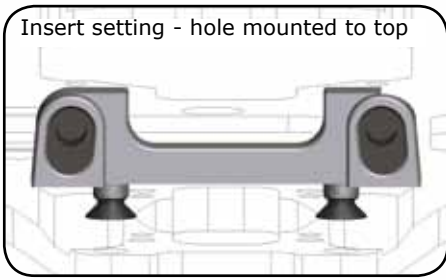






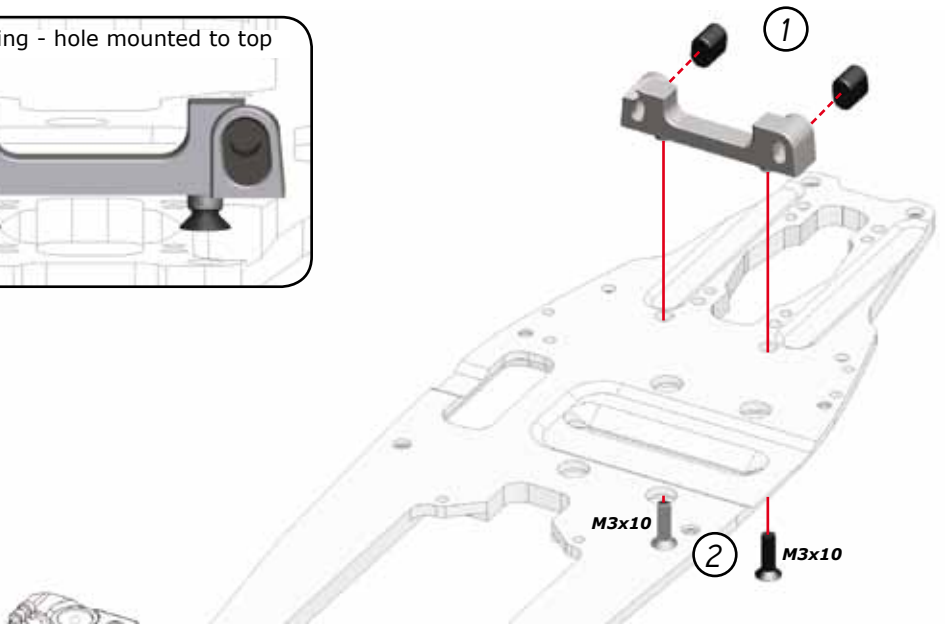
# REAR ASSEMBLY

B



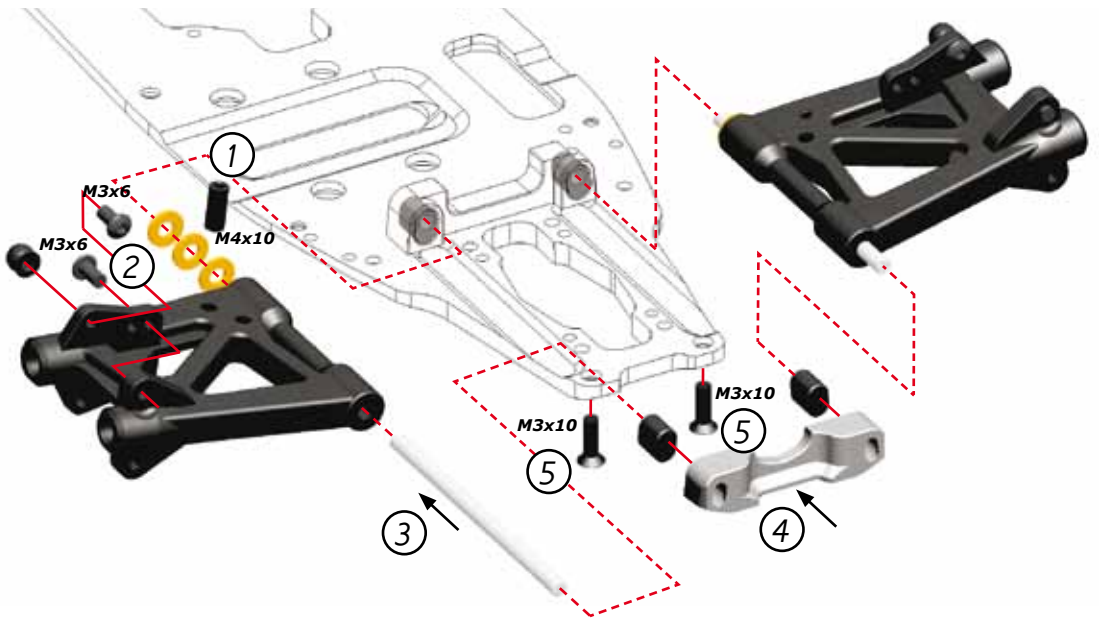
1

Bag  
6



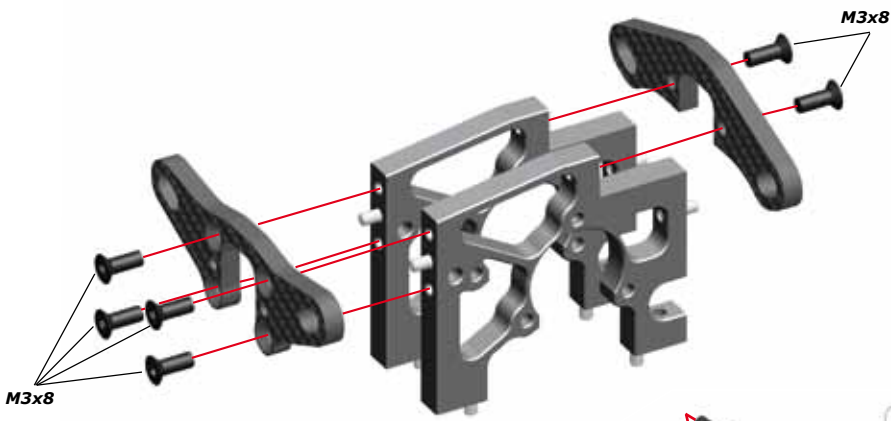
B

2



B

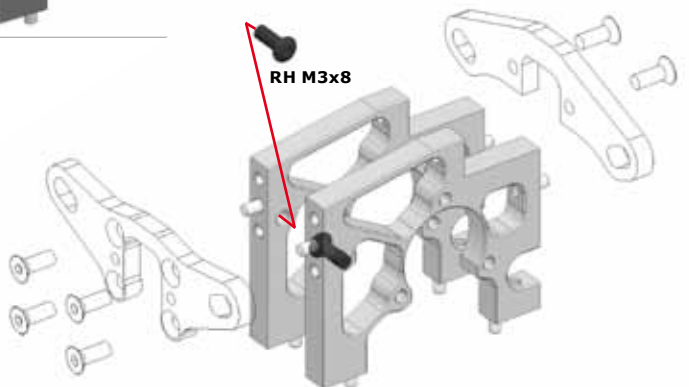
3



B

OPTIONAL

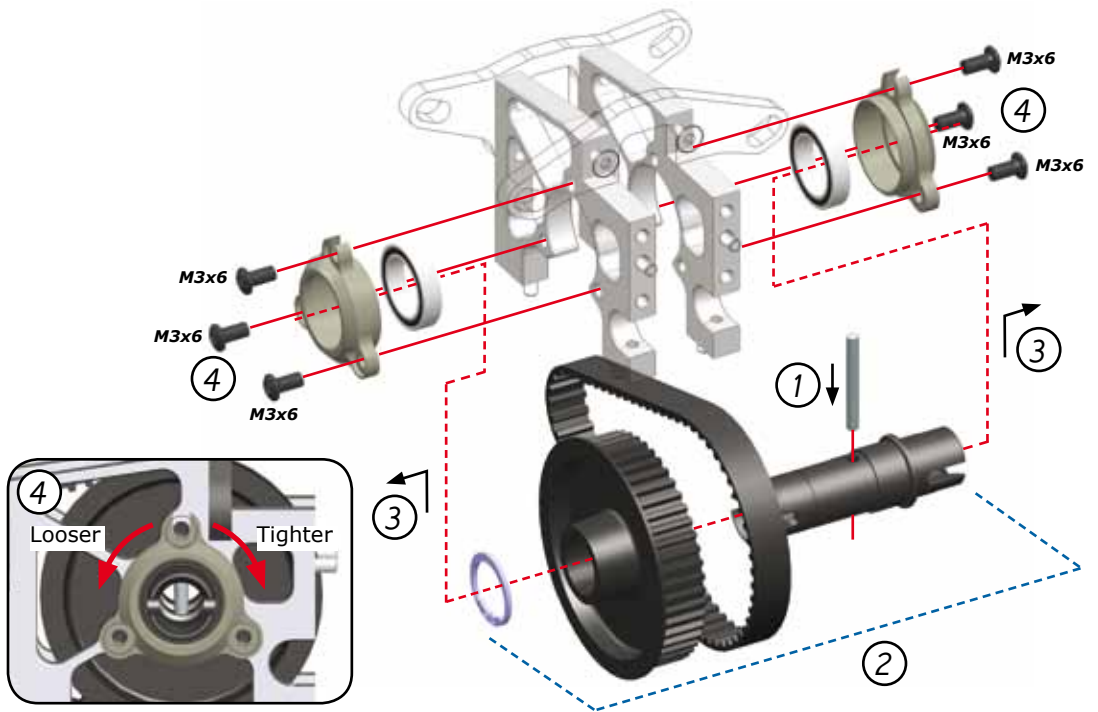
3



B

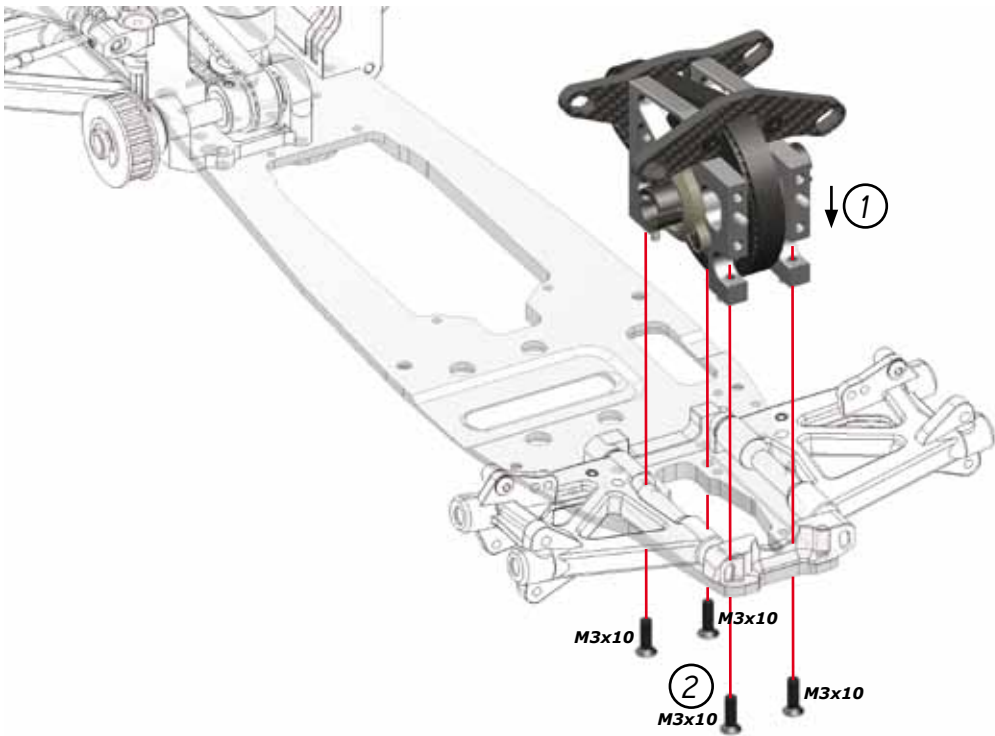
4

Bag  
7



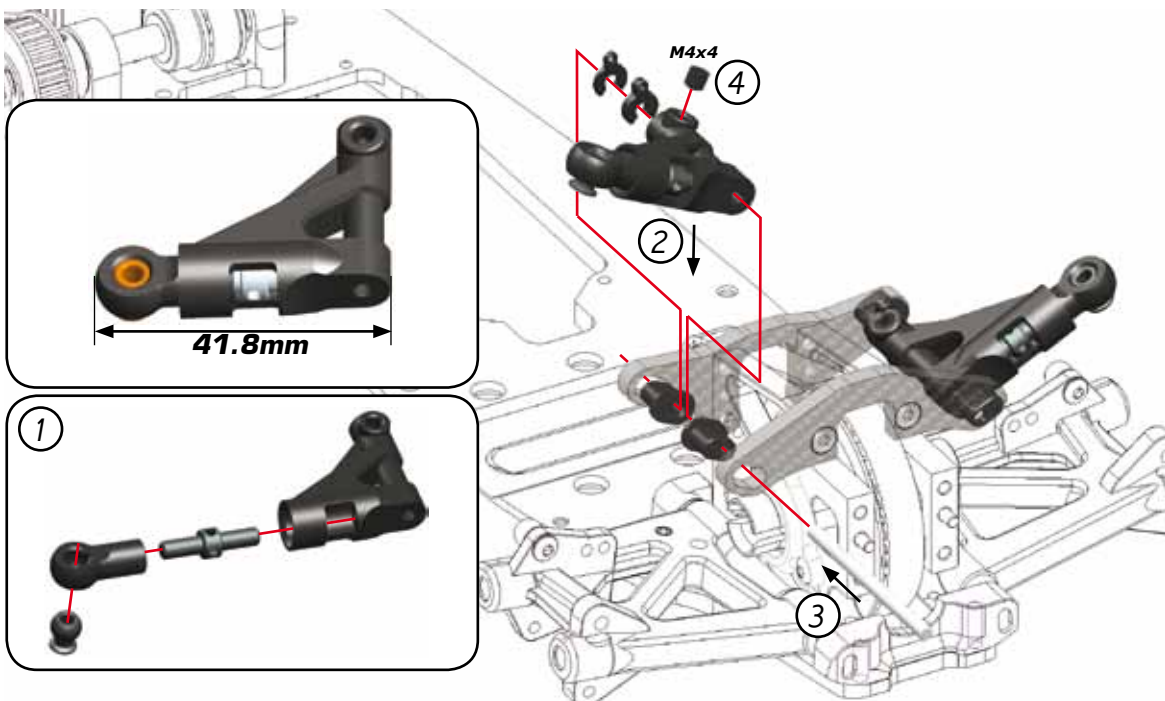
B

5



B

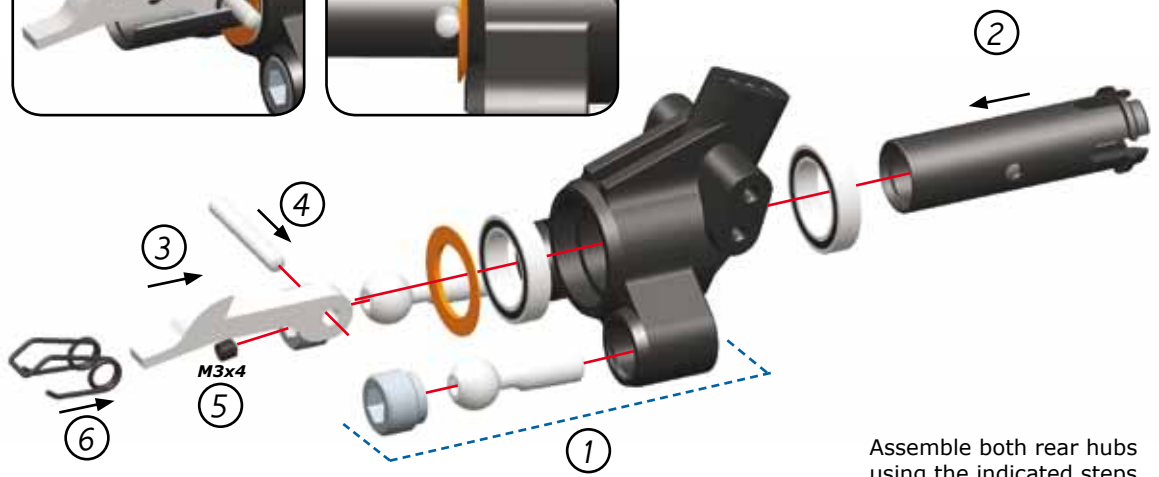
6



B

7

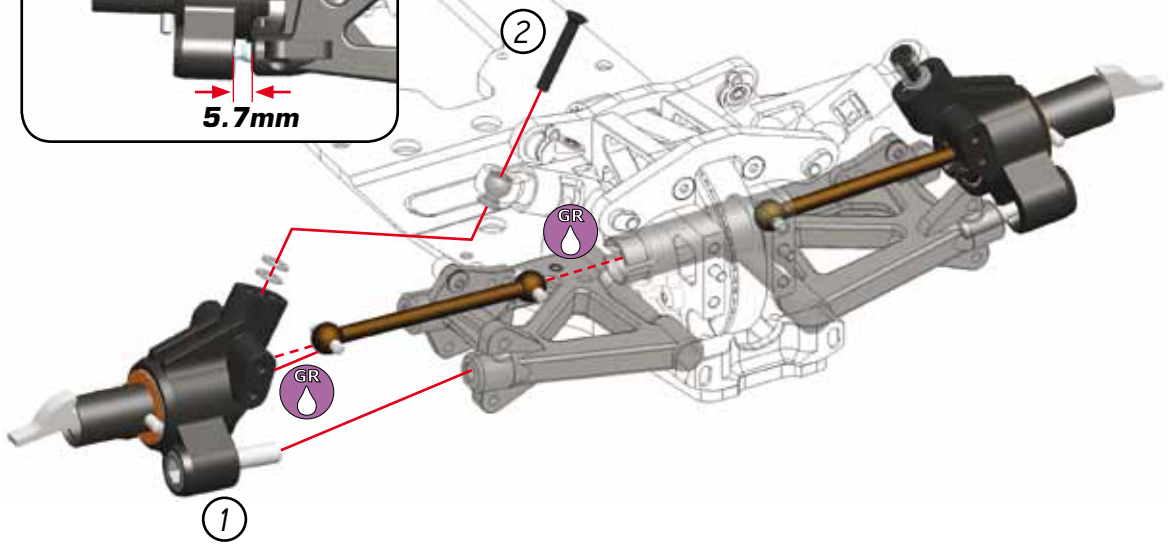
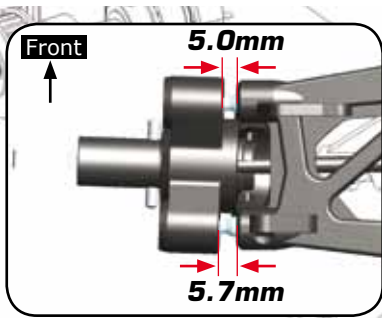
Bag  
8



Assemble both rear hubs using the indicated steps.

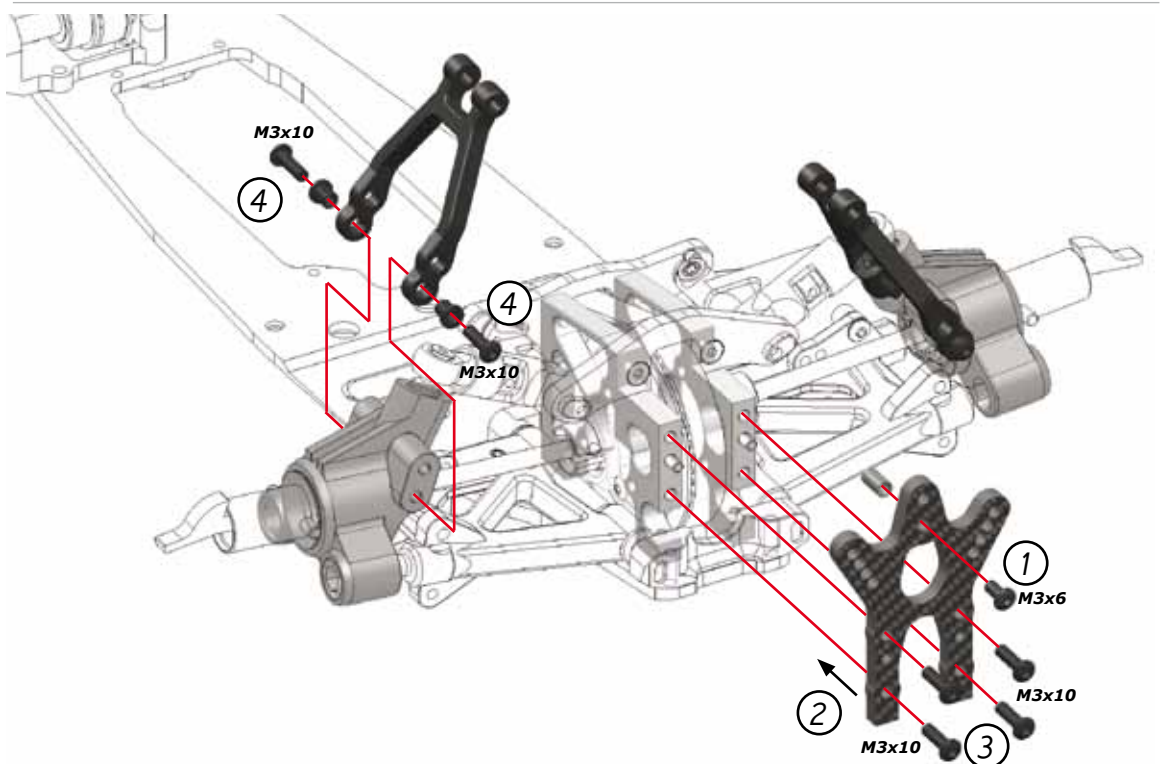
B

8

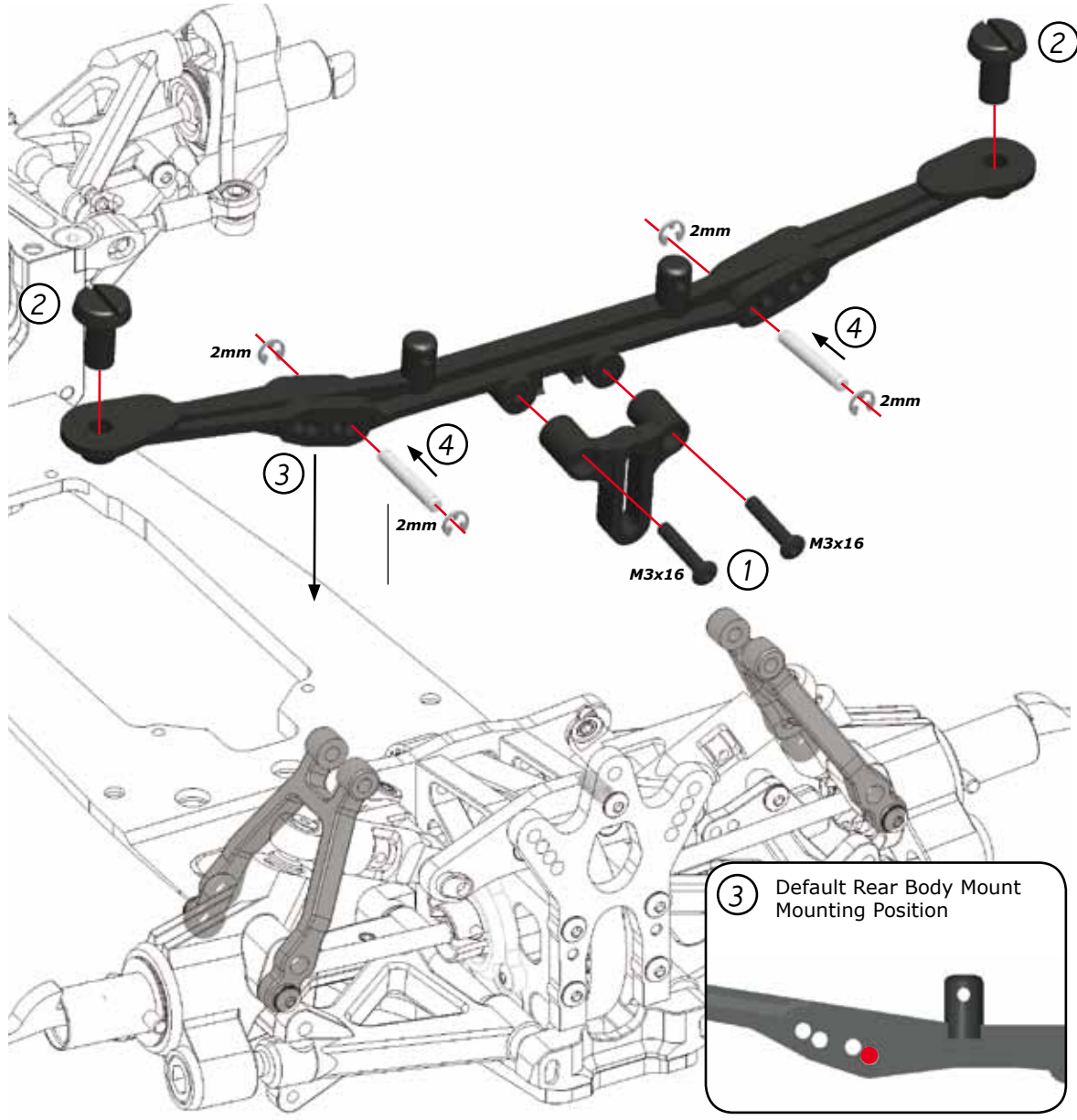


B

9

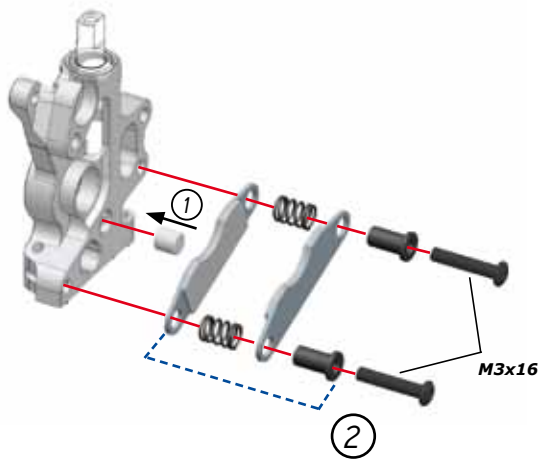






B

12



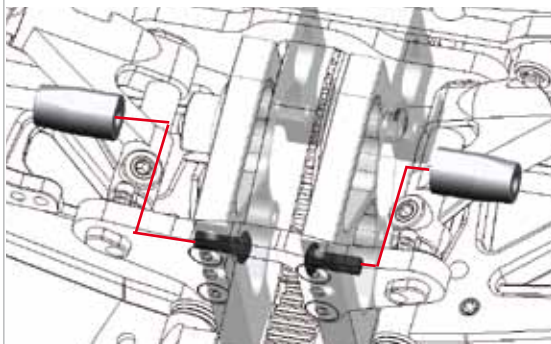
B

OPTIONAL

12

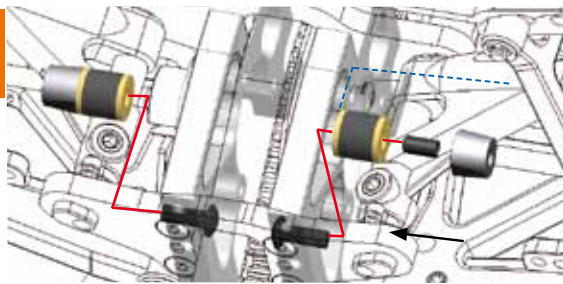
A

In case you plan to use the connectors, then mount the M3x8 RH



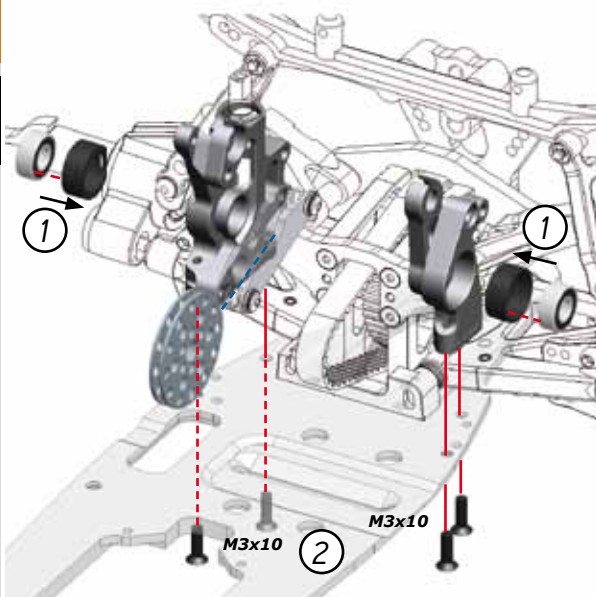
12

B



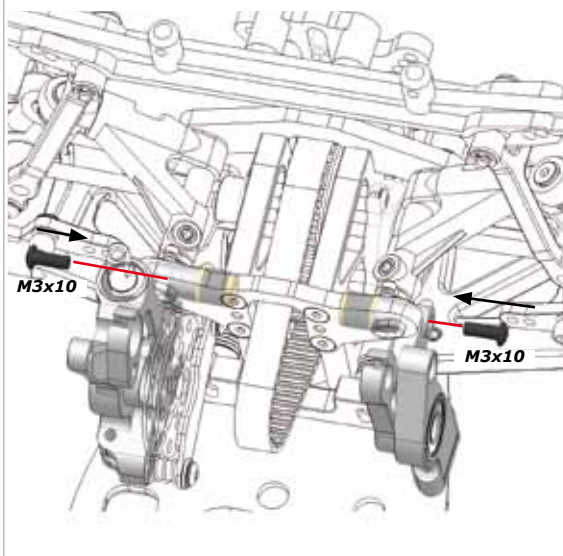
B

13



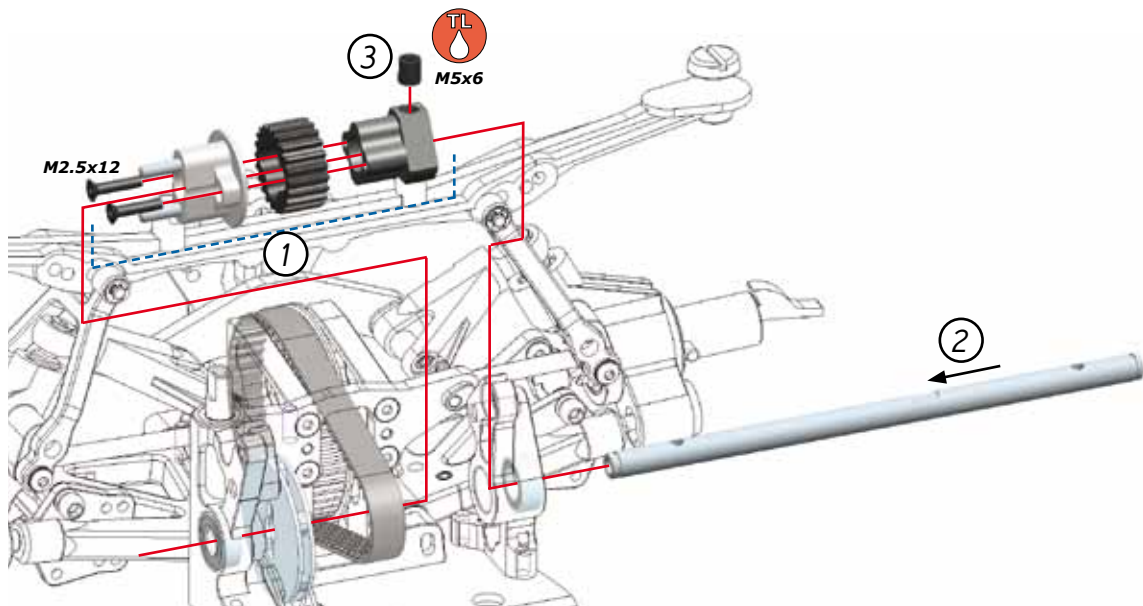
13

B



B

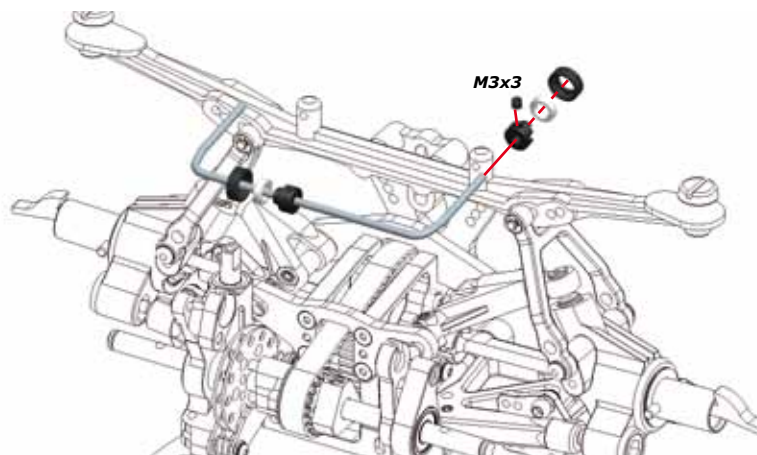
14





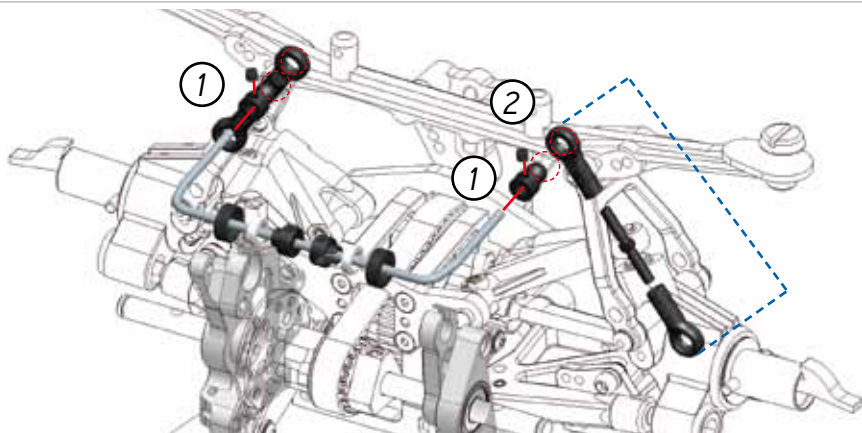
B

15



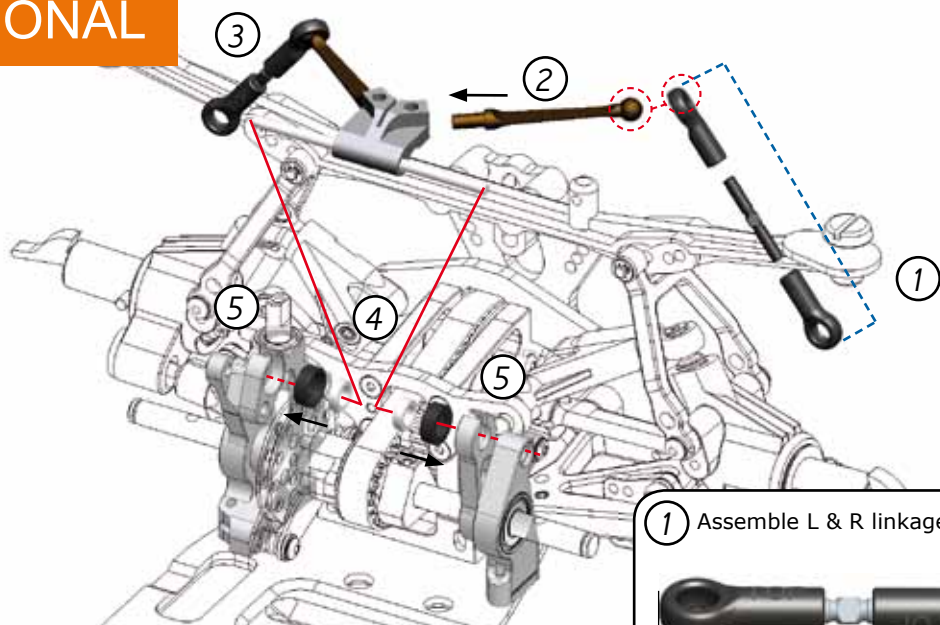
B

16



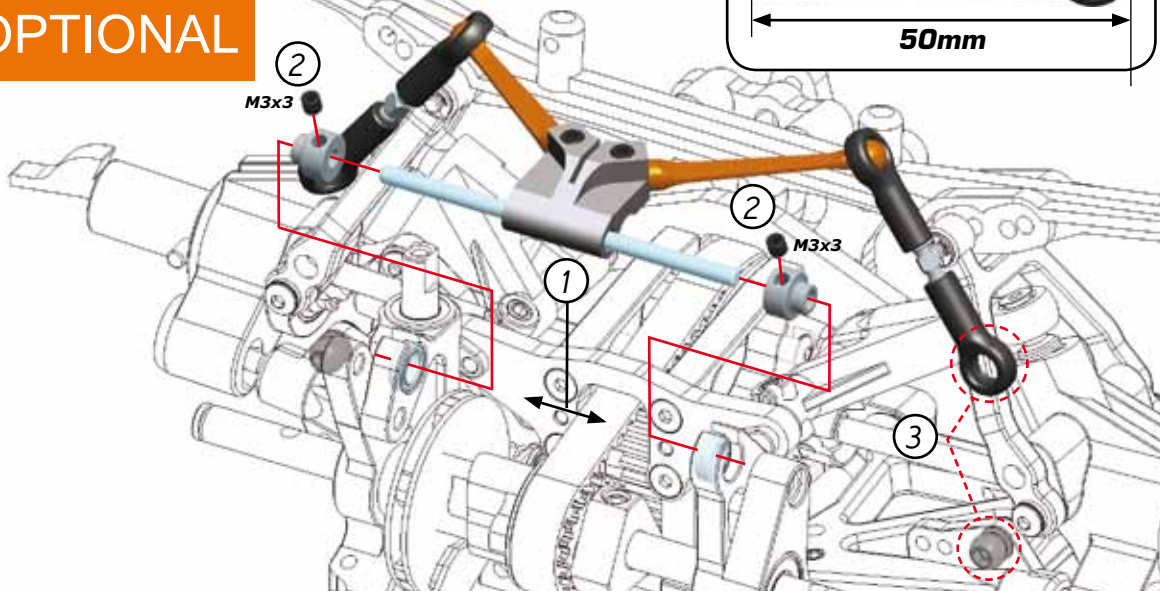
B OPTIONAL

15



B OPTIONAL

16

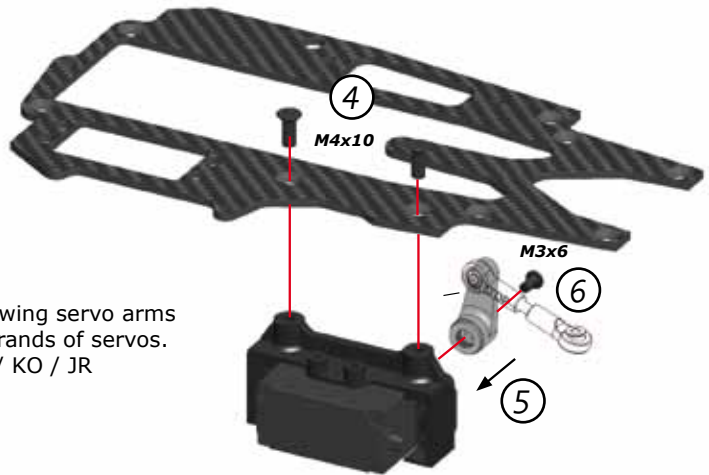


# RADIO PLATE ASSEMBLY

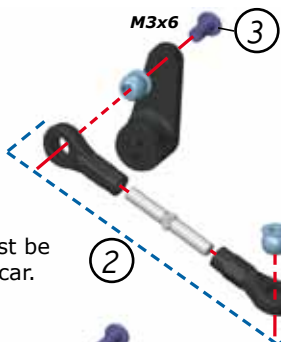
C

1

Bag  
10



Use the following servo arms with these brands of servos.  
23 - Sanwa / KO / JR  
24 - Hitec  
25 - Futaba

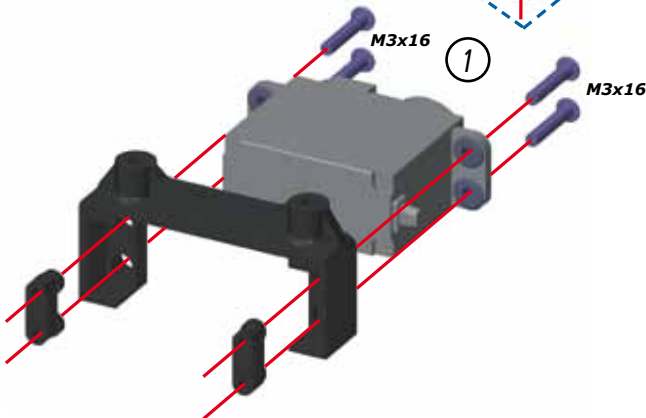


## STEERING SERVO

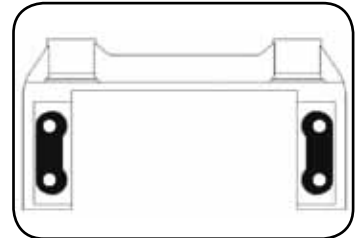
Servo output shaft must be towards FRONT of the car.



② Steering Linkage



Note the orientation of the servo mounting screw blocks. Reverse the default orientation to mount a smaller servo.



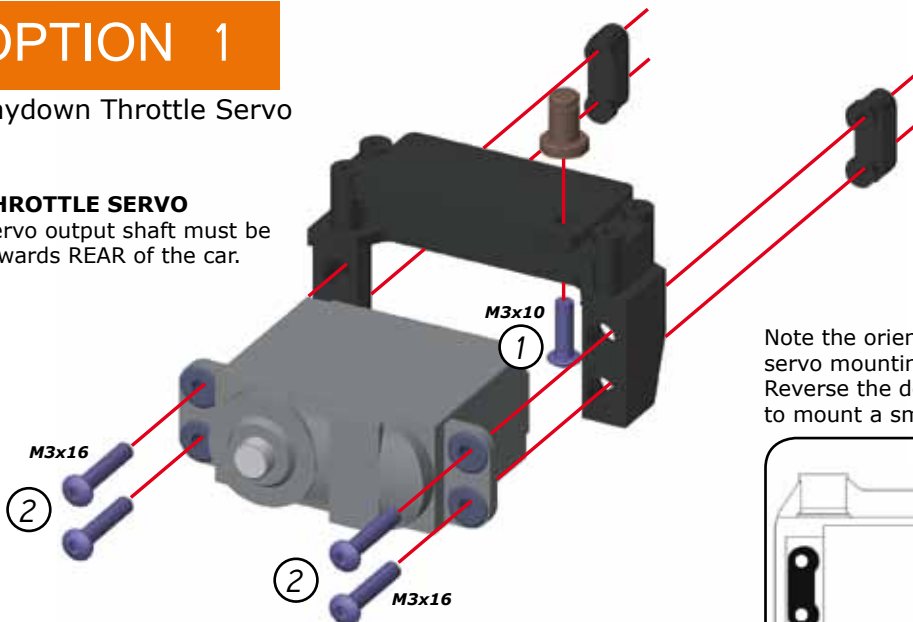
## C OPTION 1

### Laydown Throttle Servo

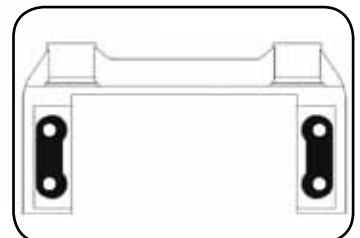
2

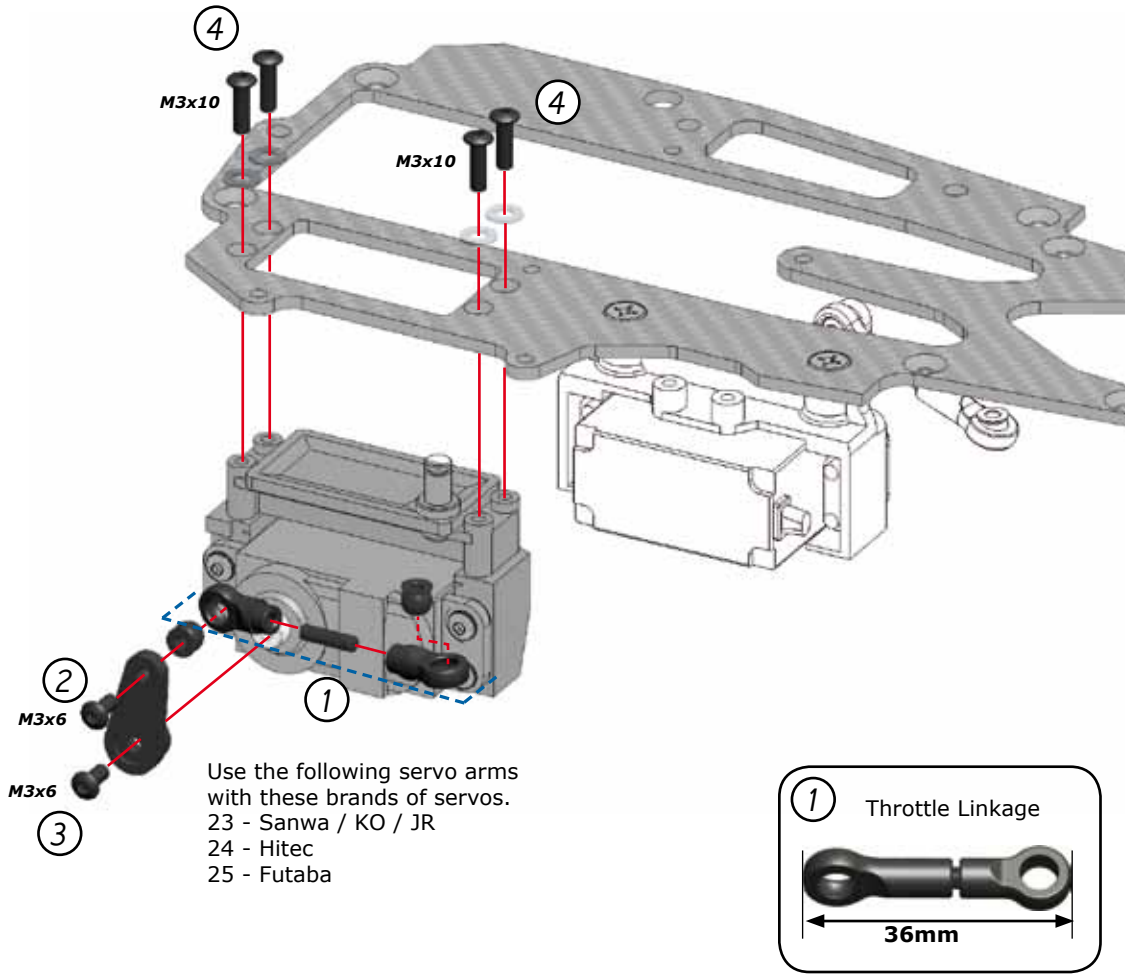
## THROTTLE SERVO

Servo output shaft must be towards REAR of the car.



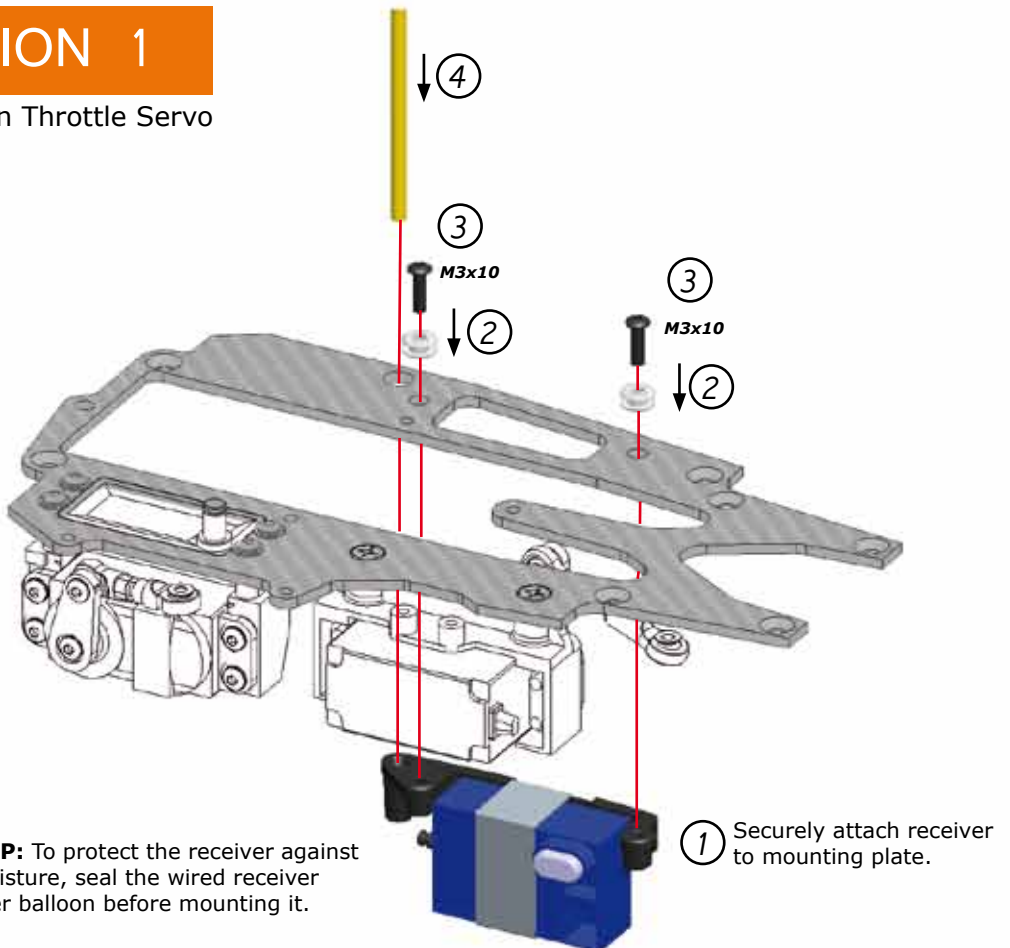
Note the orientation of the servo mounting screw blocks. Reverse the default orientation to mount a smaller servo.





C OPTION 1

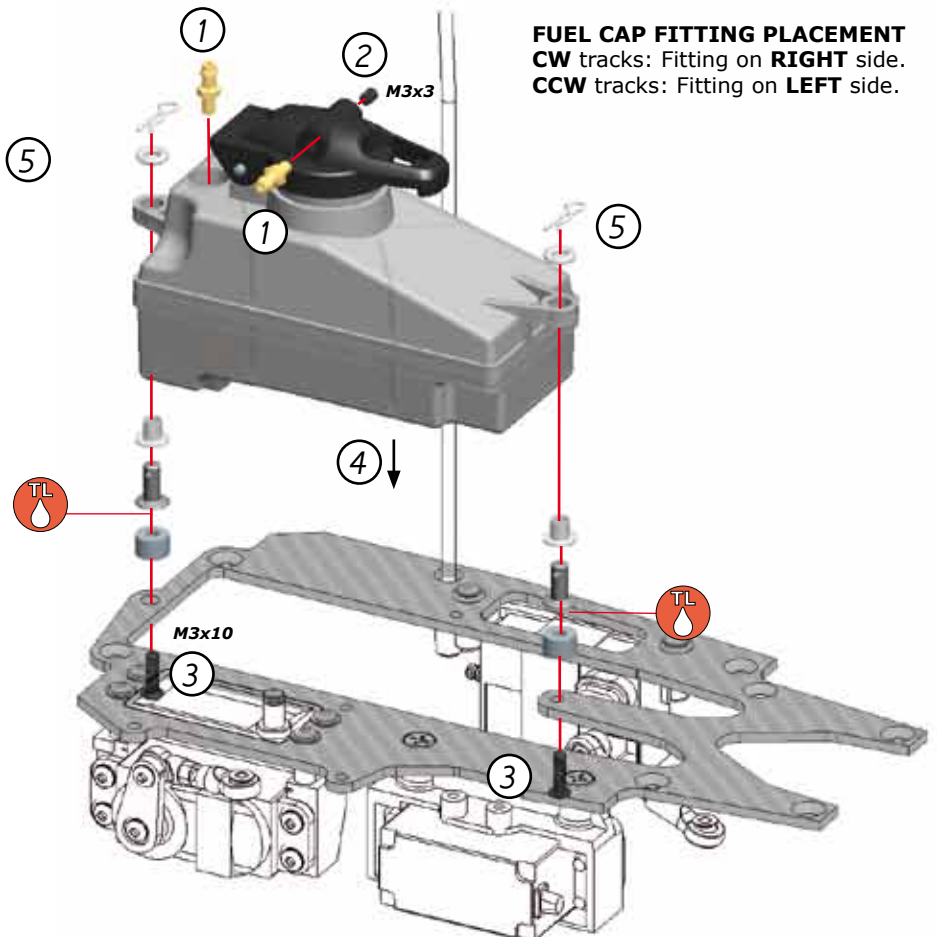
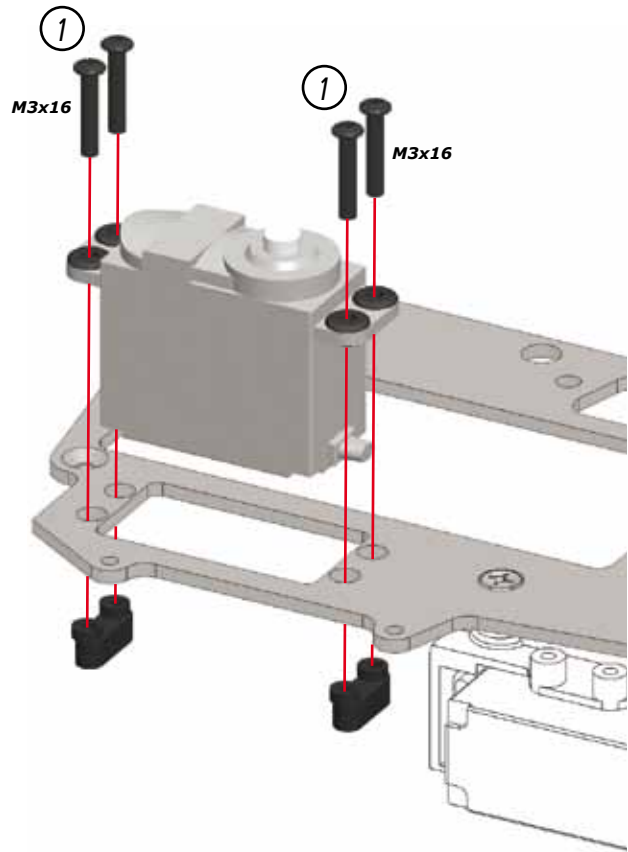
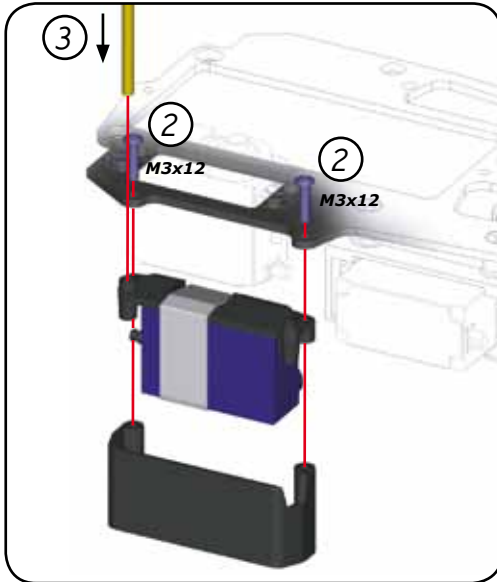
Laydown Throttle Servo



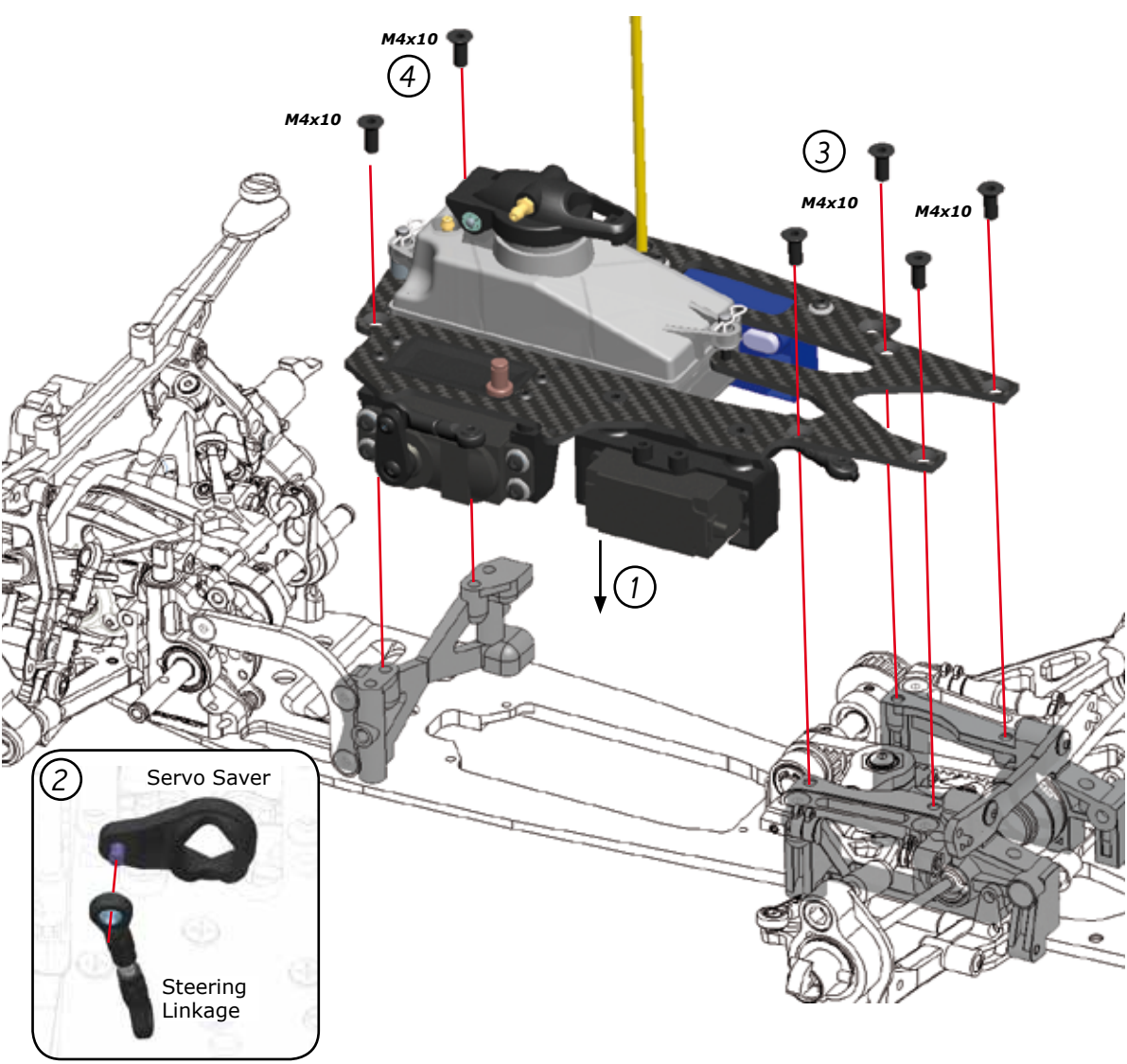
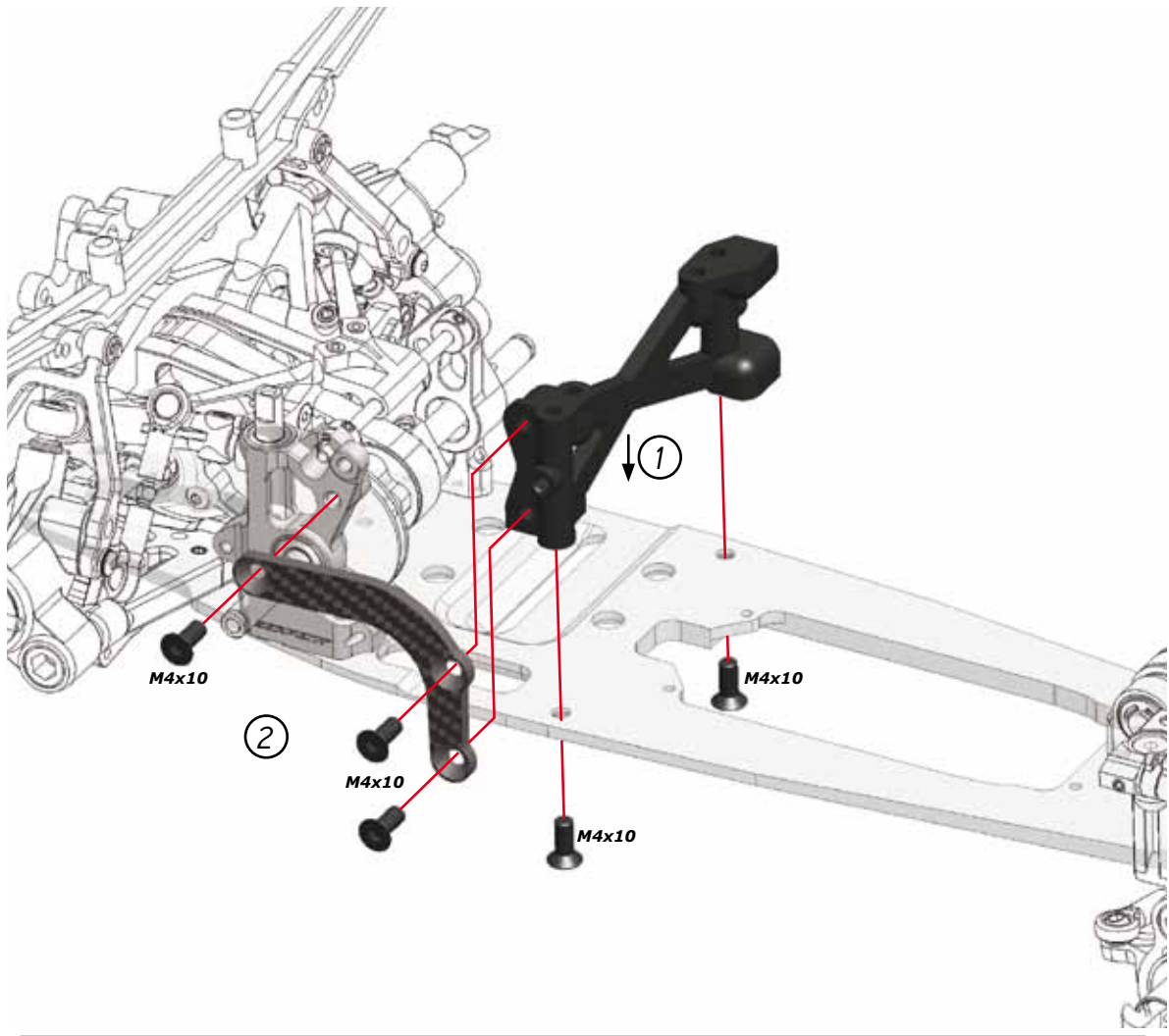
**RACING TIP:** To protect the receiver against fuel and moisture, seal the wired receiver into a rubber balloon before mounting it.

Securely attach receiver to mounting plate.

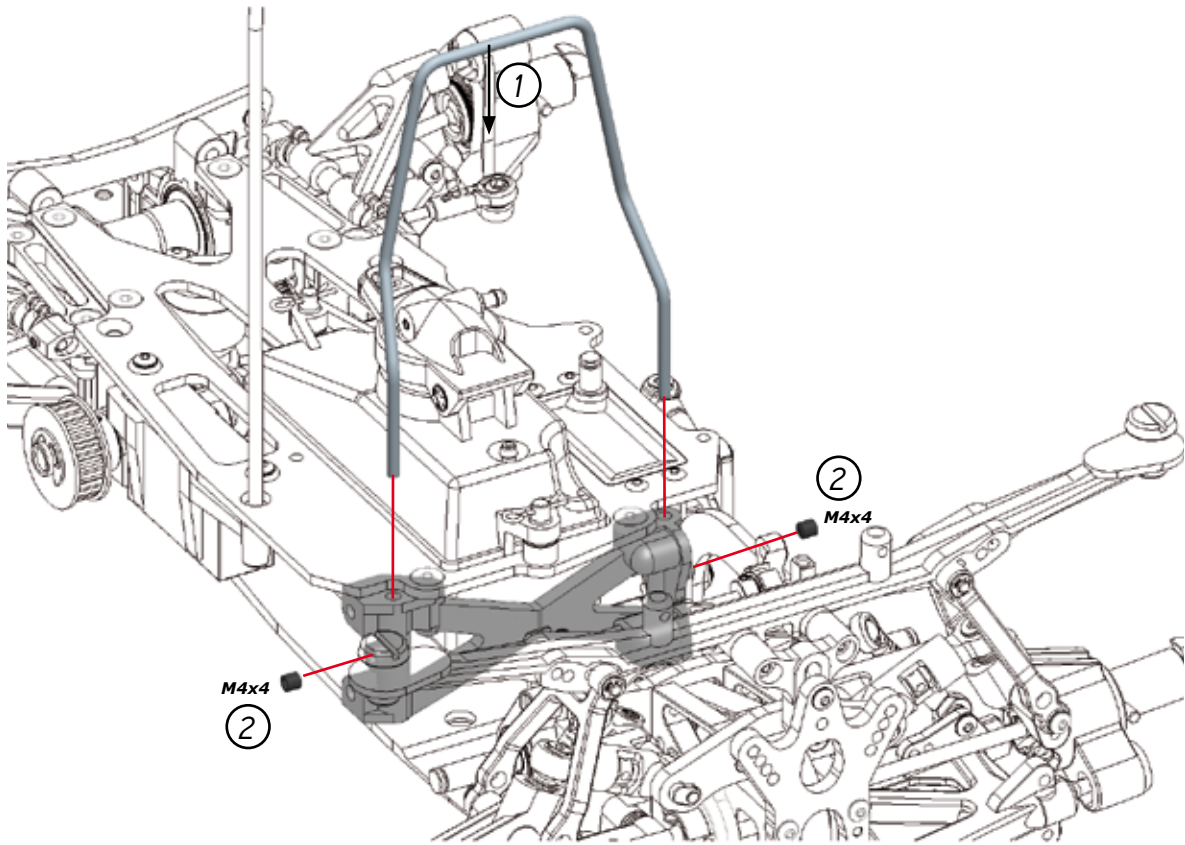
**RACING TIP:** To protect the receiver against fuel and moisture, seal the wired receiver into a rubber balloon before mounting it.











①  
Unscrew the bottom half of  
the pre-assembled shock  
absorbers.



②

#### FILLING

Fill the shock body with the supplied shock absorber oil.

#### BLEEDING

Let the oil settle and allow the air to escape. Slowly move the piston up and down to release any trapped air bubbles. Repeat as necessary until no bubbles appear.





With the shock body filled with oil, slowly screw the bottom half of the pre-assembled shock back onto the shock body.

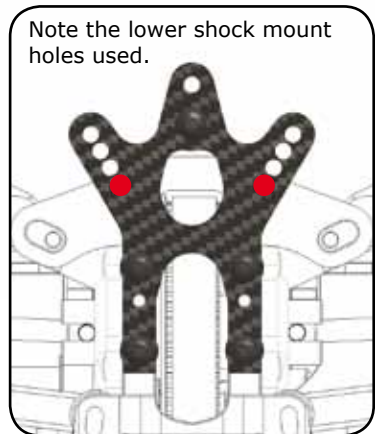
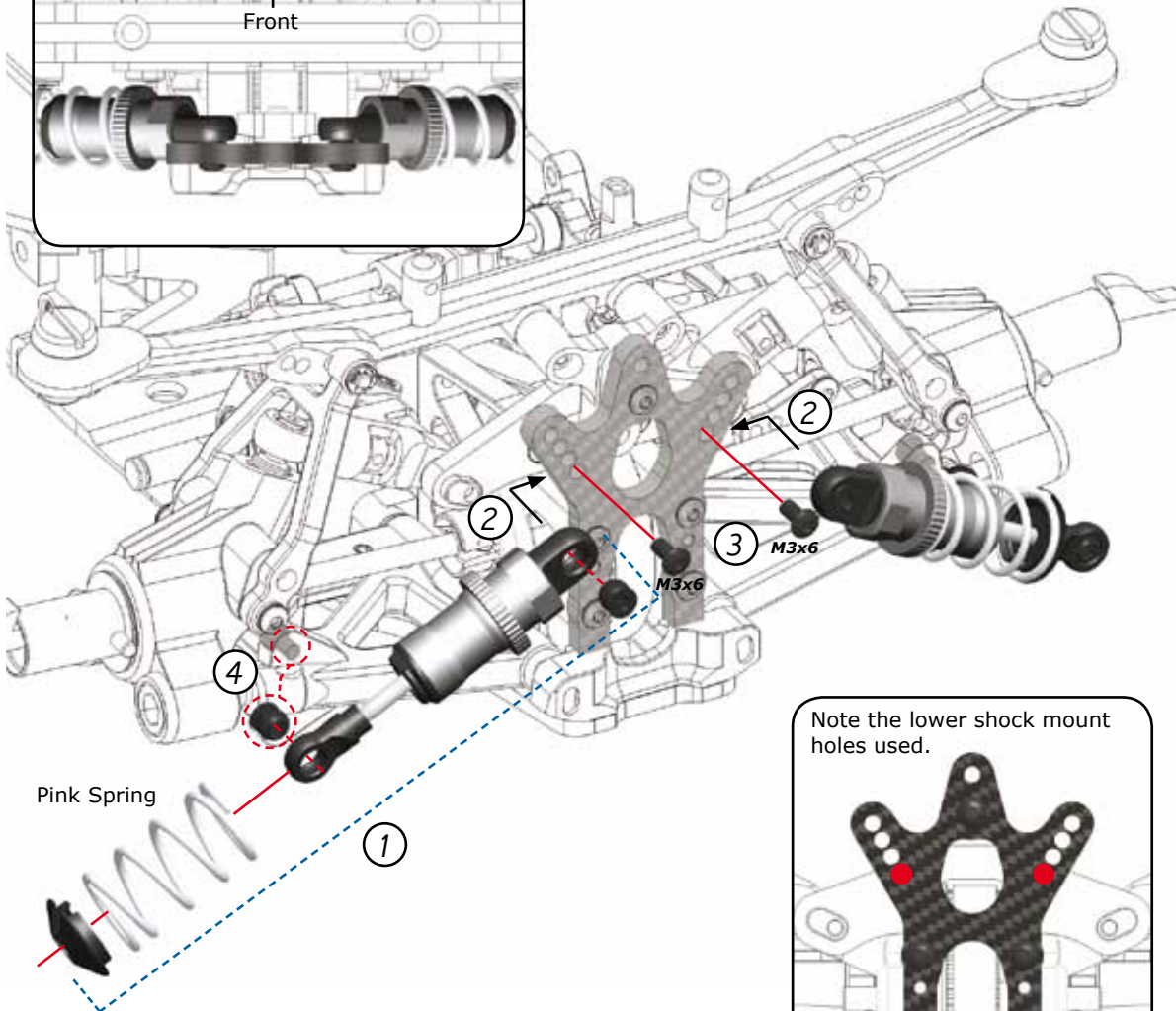
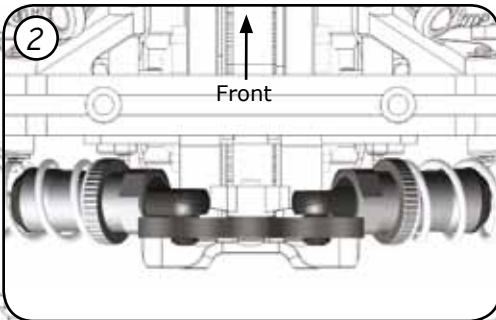
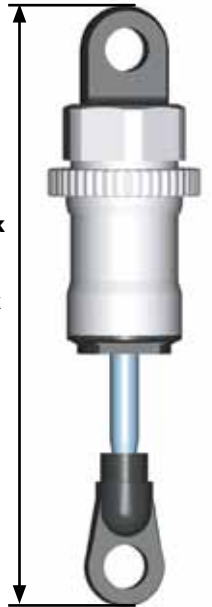
**IMPORTANT!** Do not cross thread!

Oil will overflow through the built-in bleed channel in the threads.

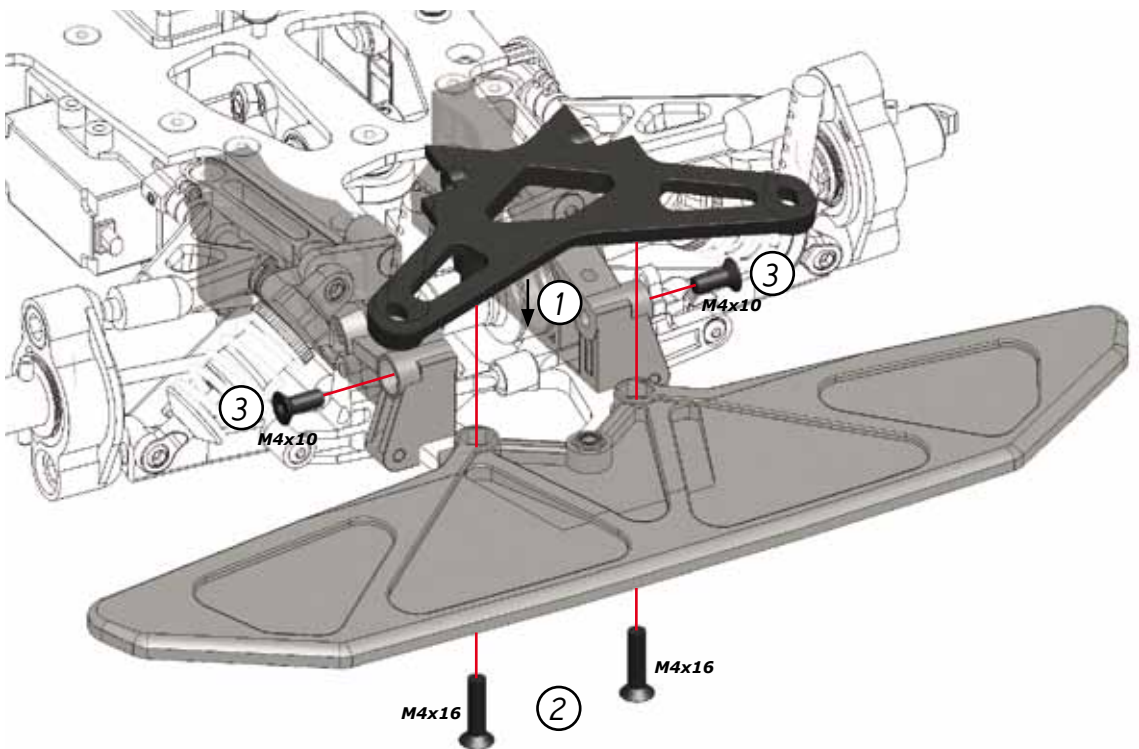
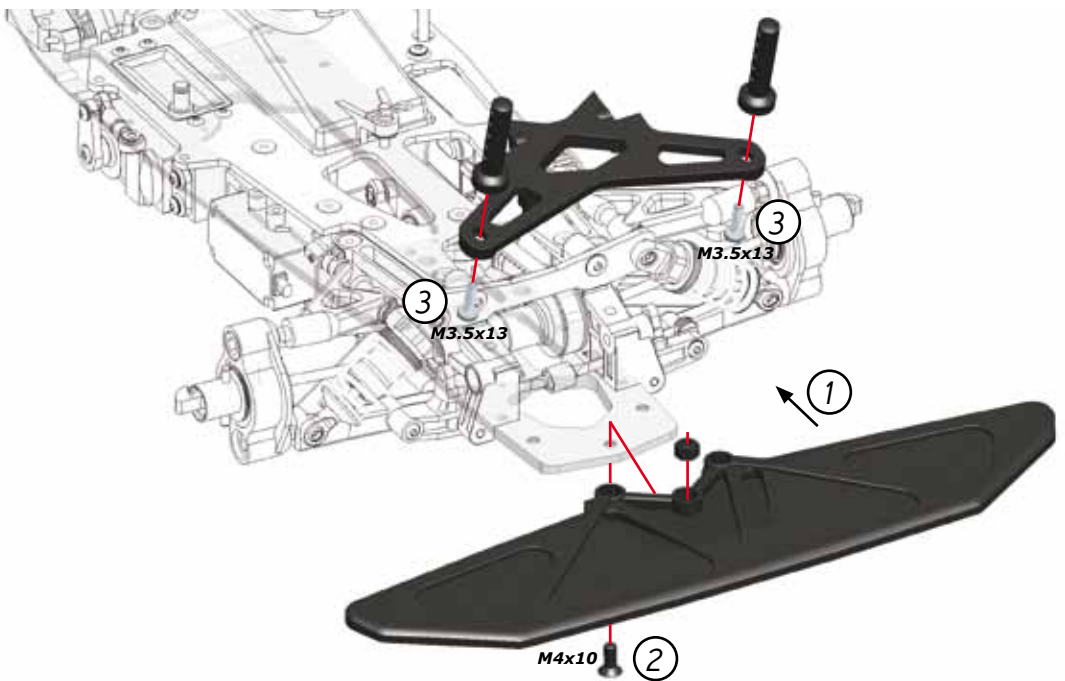
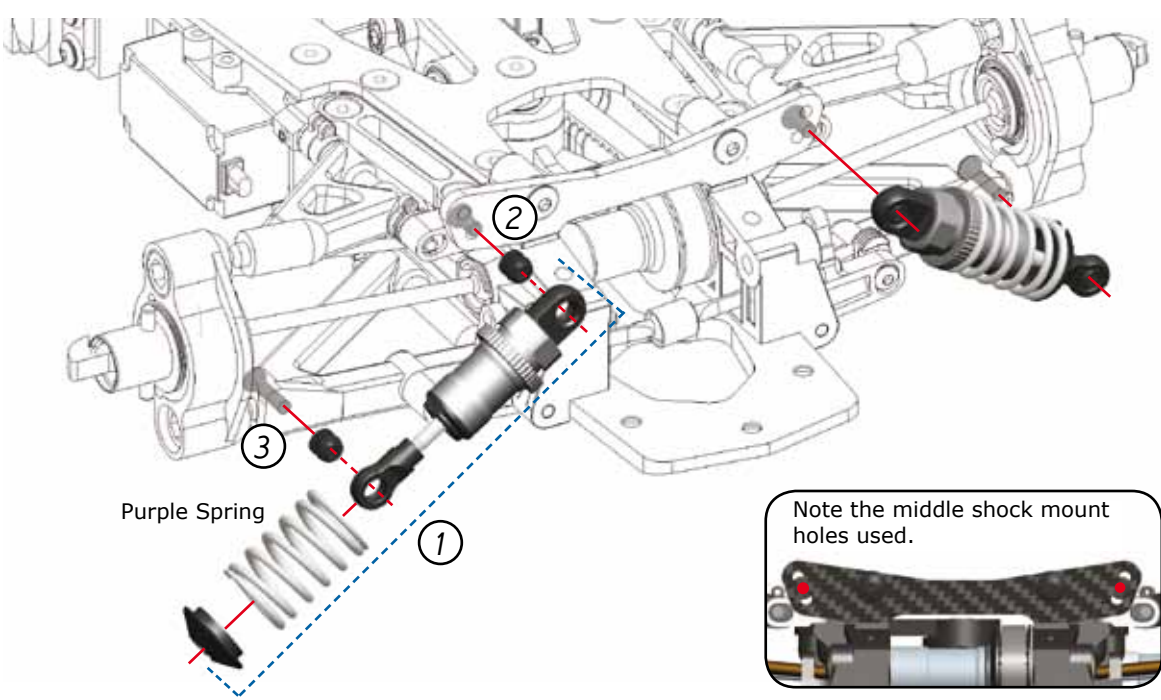


**Front shock**  
68mm

**Rear shock**  
73mm



Note the lower shock mount holes used.

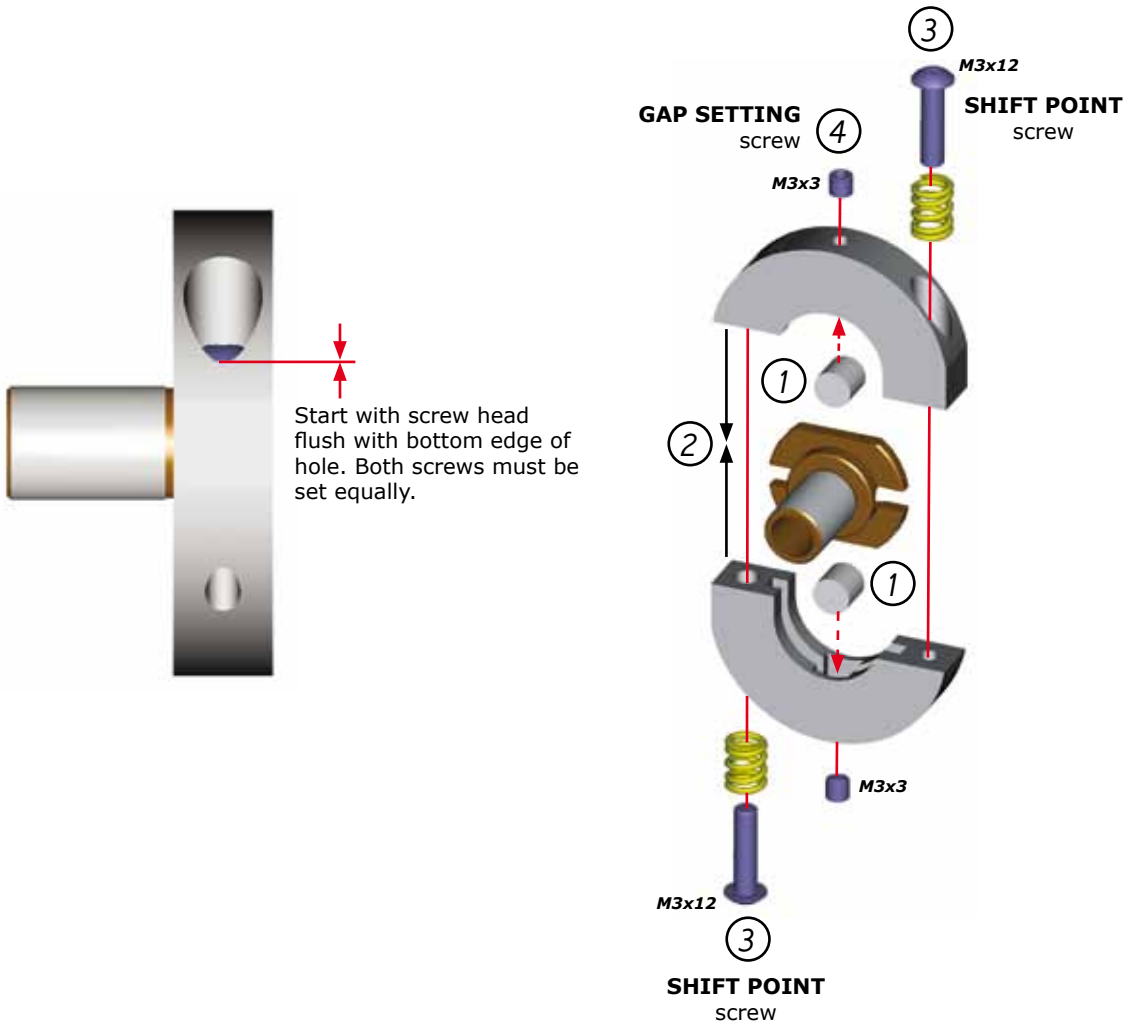


# GEARBOX ASSEMBLY

D

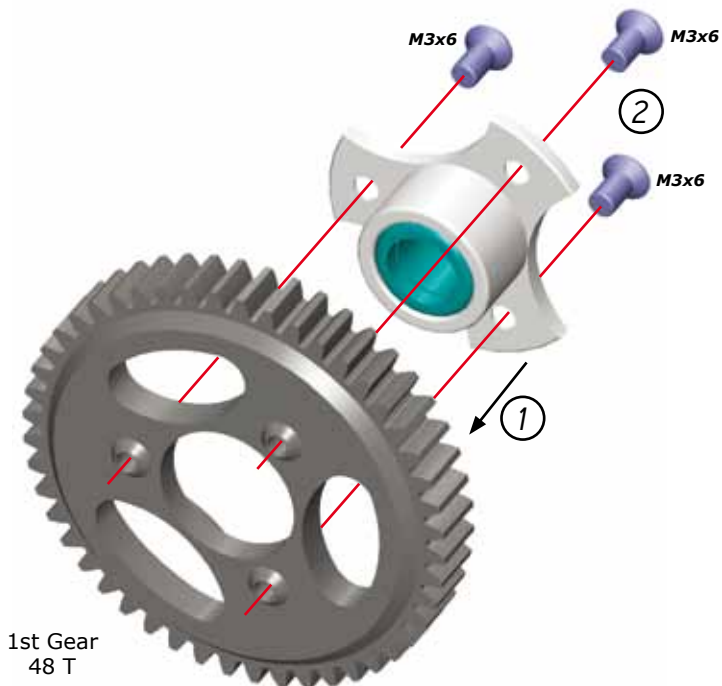
1

Bag  
13

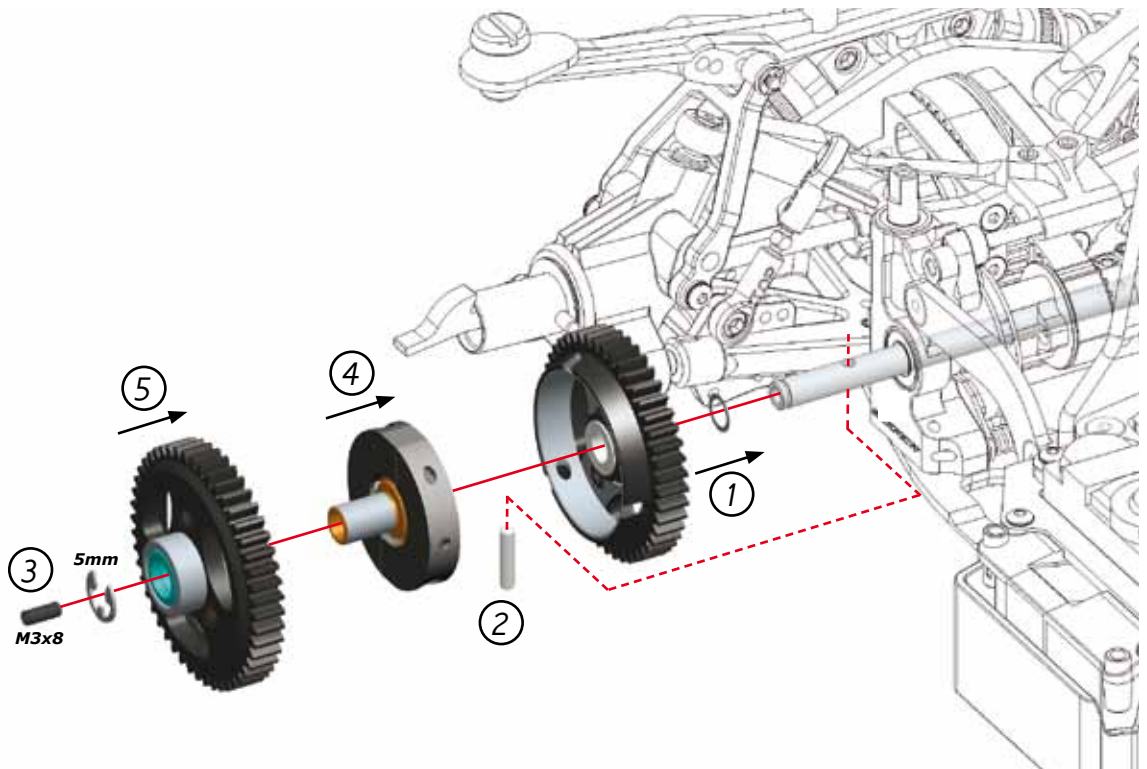
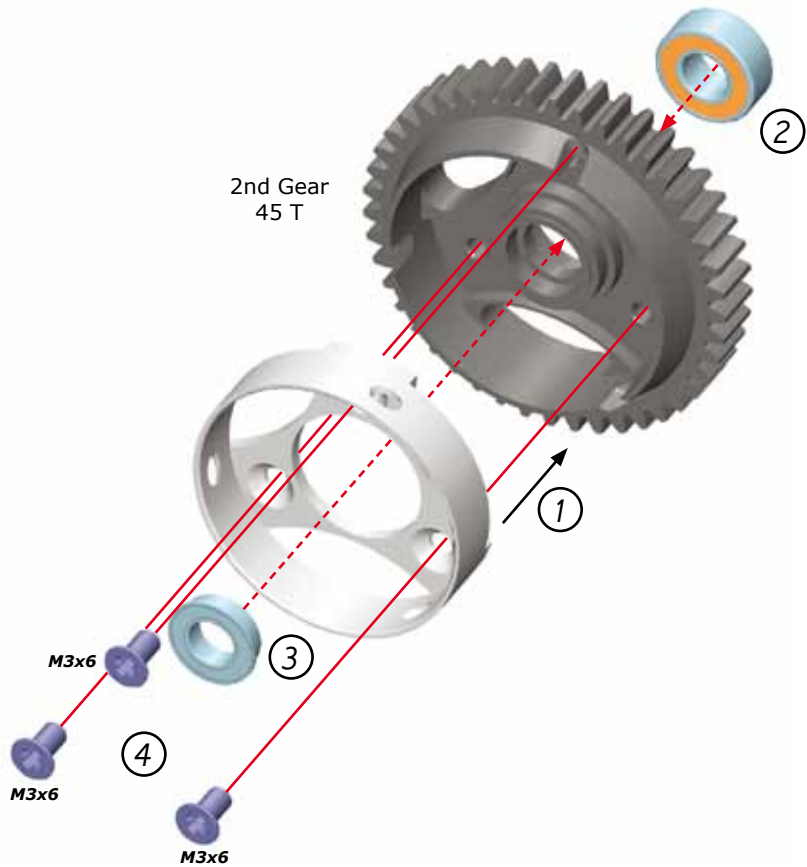


D

2







#### ADJUSTING THE 2-SPEED SHOE GAP

Loosed the two gap-setting set screws to allow the shoes to rest on the drive adaptor.

Install the 2-speed shoes in the 2nd gear drum, but do NOT install the 1st gear.

There should be equal but minimal spacing between the 2-speed shoes and the 2nd gear drum. Tighten BOTH gap setting set screws until the shoes touch the inside surface of the aluminum 2nd gear drum, then loosen BOTH set screws by 1/2 turn each. The 2nd gear should spin freely.

Install the first gear.

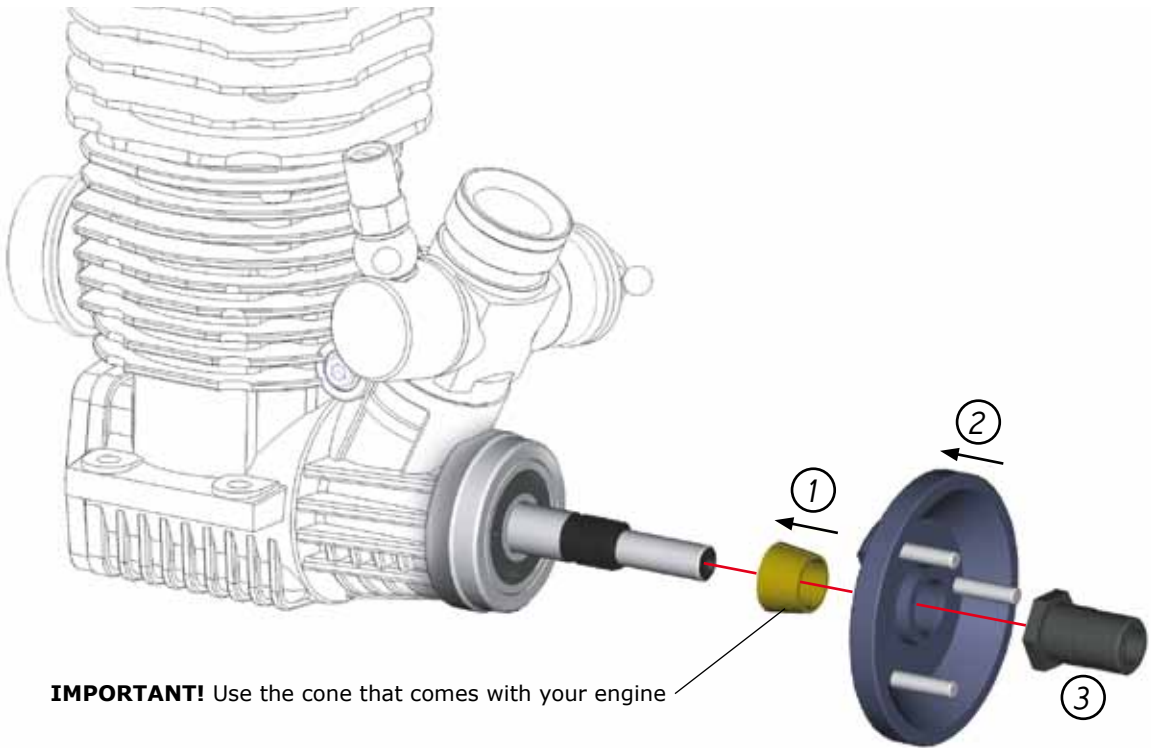


# CENTAX ASSEMBLY

E

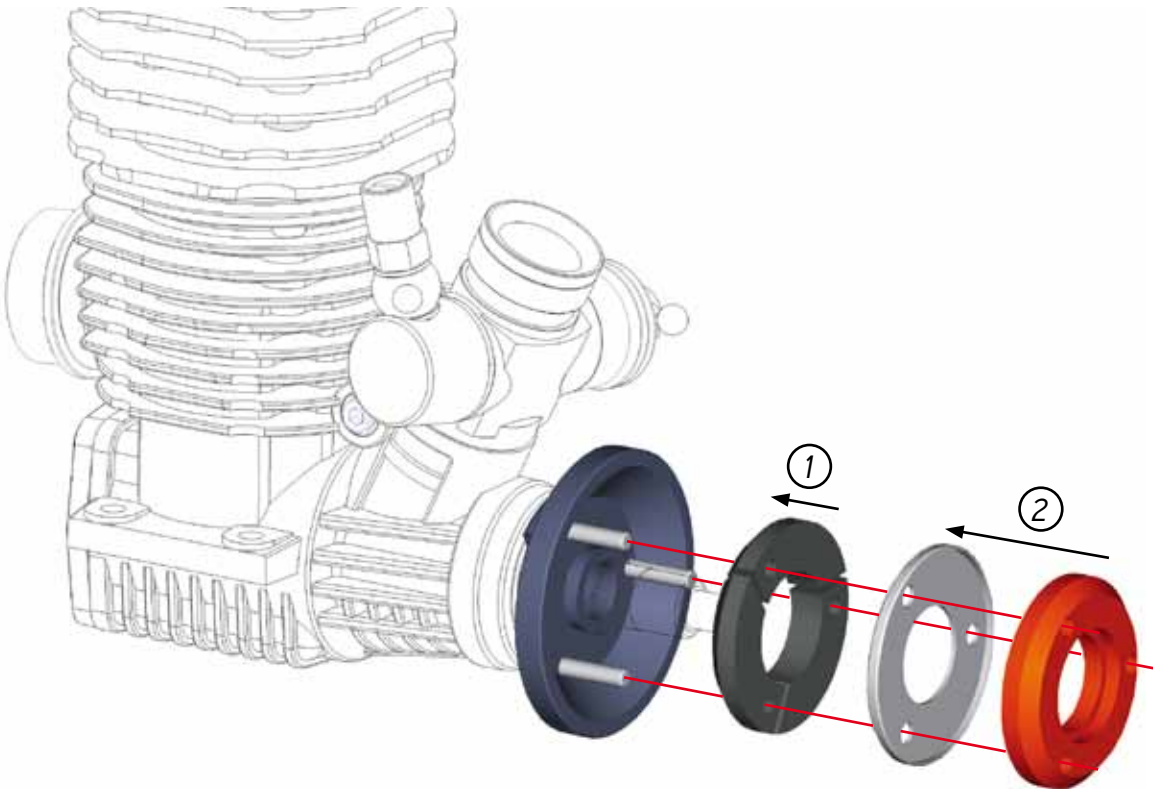
1

Bag  
14



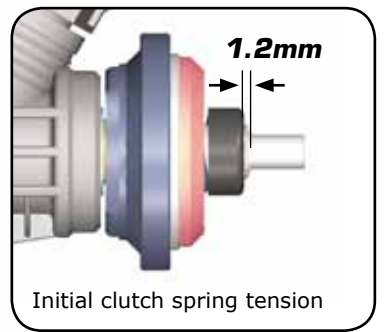
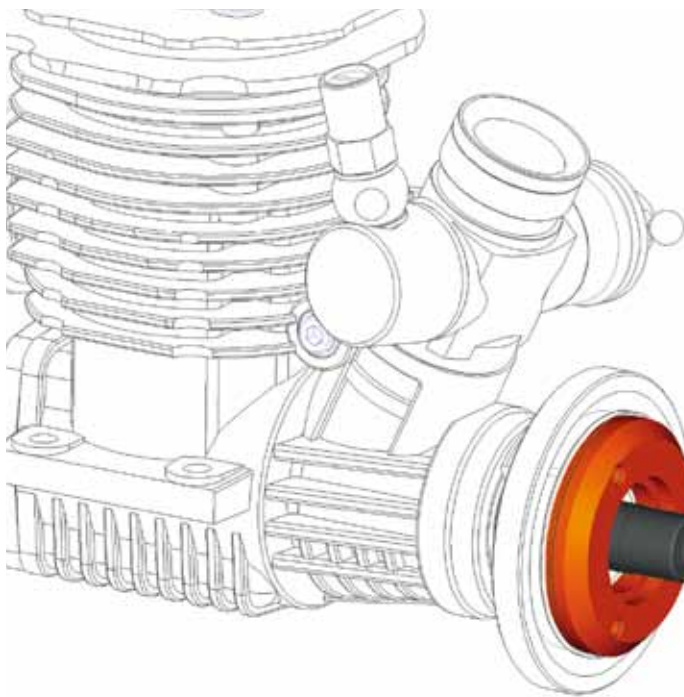
E

2



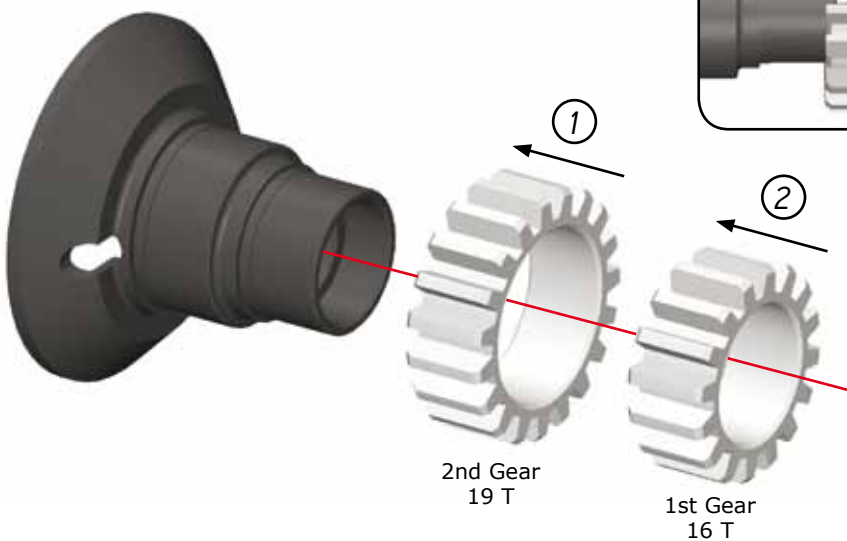
E

3



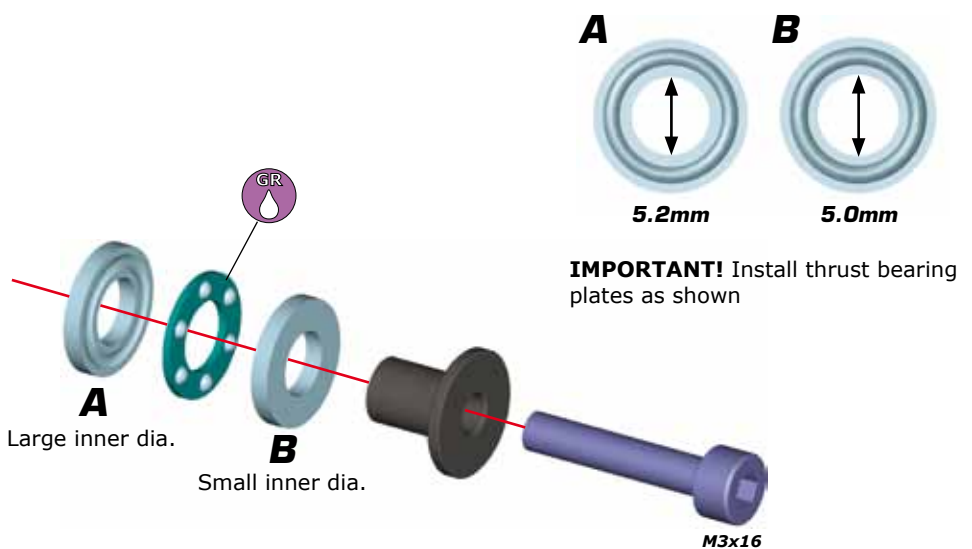
E

4

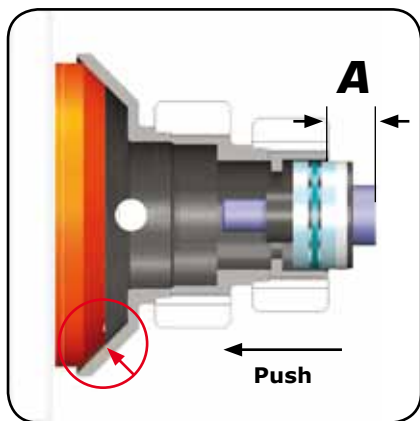


E

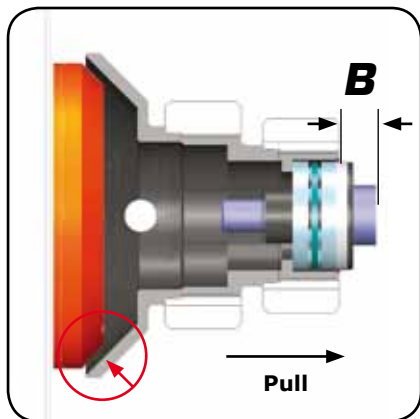
5



## ADJUSTING THE CLUTCH GAP



- 1** Install only the clutchbell and the thrustbearing assembly on the engine crankshaft. Push the clutchbell onto the clutch shoe, and then measure the distance A as indicated.



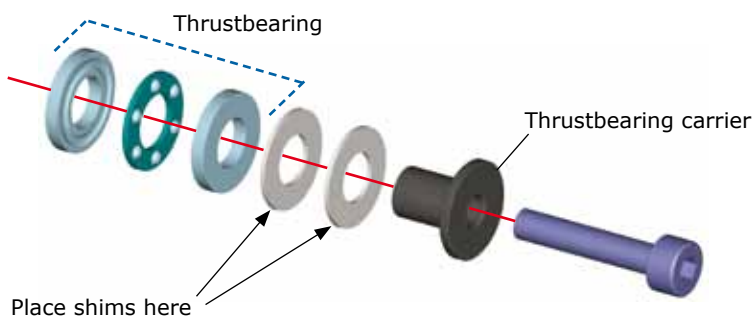
- 2** Pull the clutchbell away from the clutch shoe, and then measure the distance B as indicated.

- 3** The clutch gap is  $A - B$ ; the correct gap is 0.7mm. If the clutch gap is greater than 0.7mm, you can easily calculate the thickness of shims required to set the correct gap:

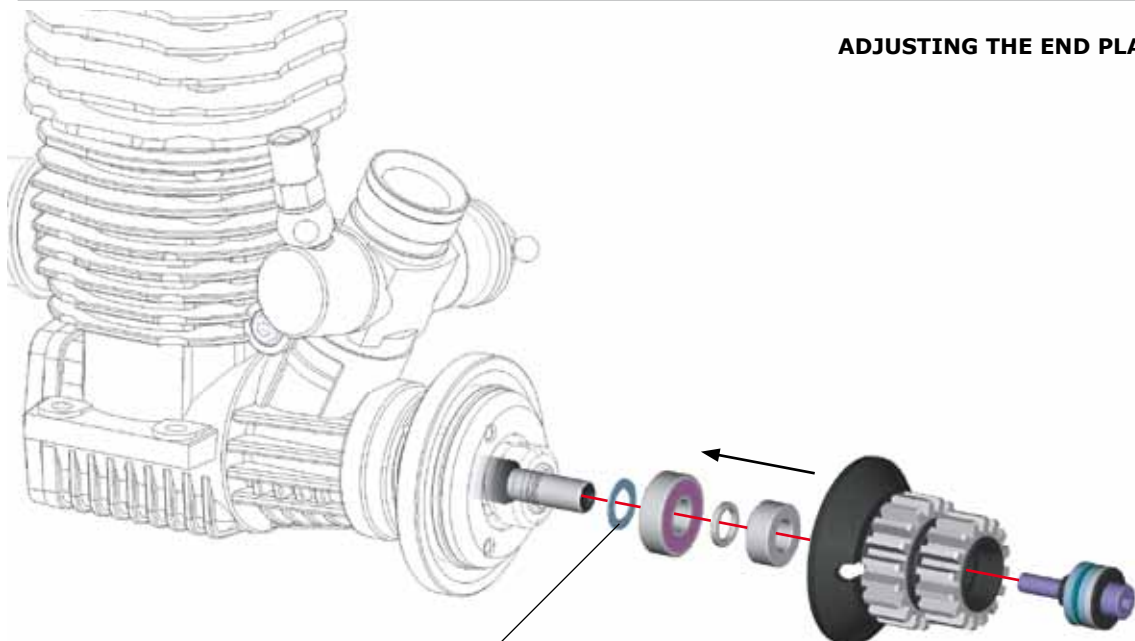
$$\text{Thickness of shims required (in mm)} = A - B - 0.7$$

For example, using the values  $A=1.3\text{mm}$ ,  $B=0.3\text{mm}$   
 Shim thickness =  $1.3 - 0.3 - 0.7 = 0.3\text{mm}$

- 4** Place shims between the outer thrustbearing plate and the rim of the thrustbearing carrier as shown.



## ADJUSTING THE END PLAY



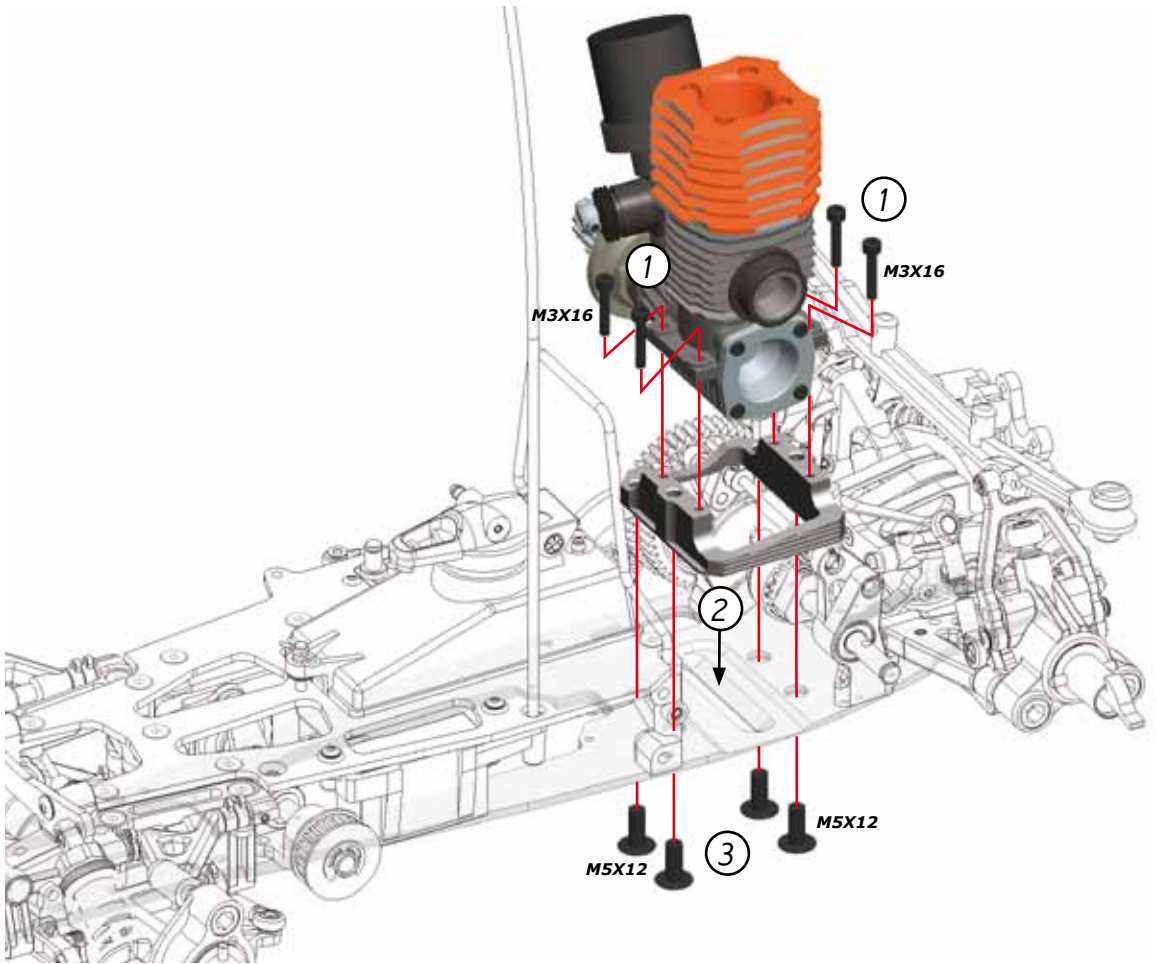
Place small shims to remove all but a small amount of end play

# FINAL ASSEMBLY

F

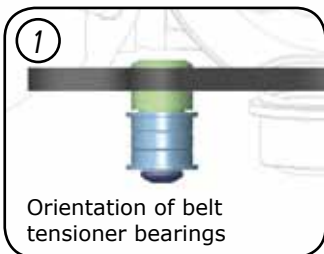
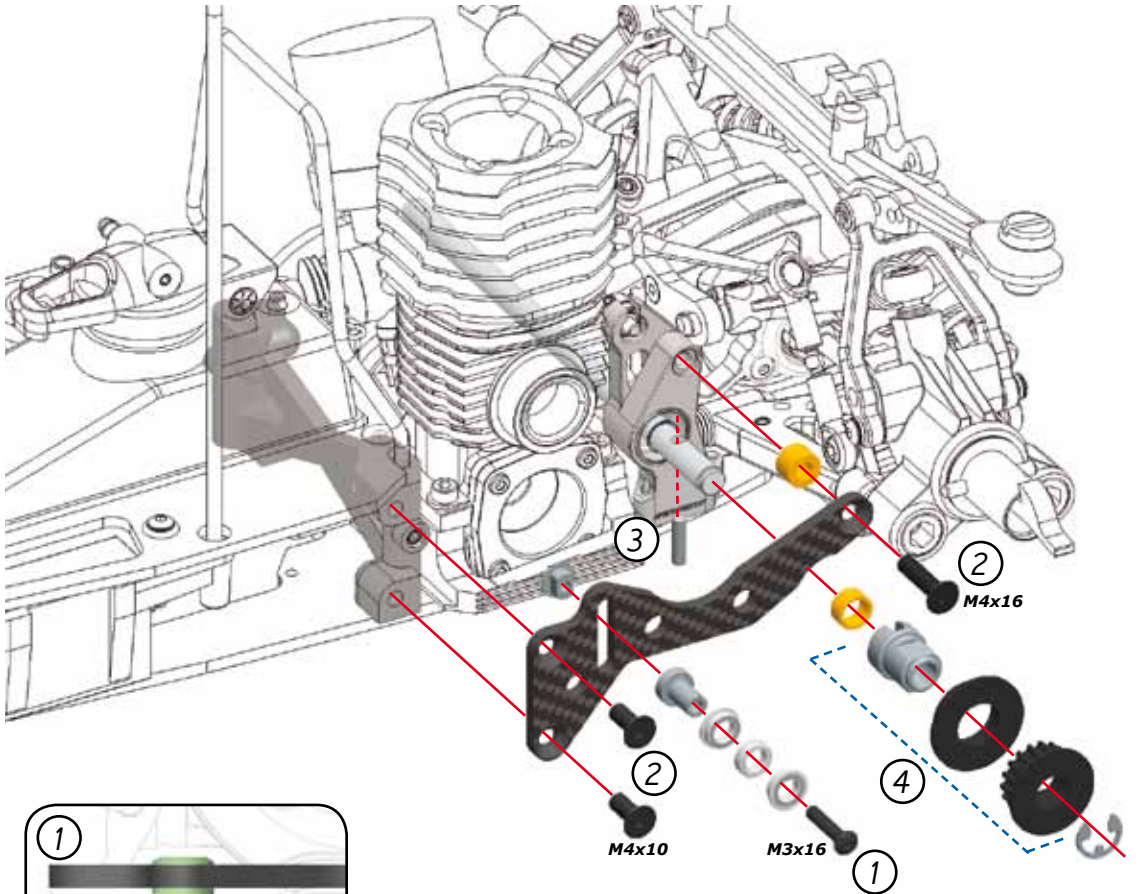
1

Bag  
15

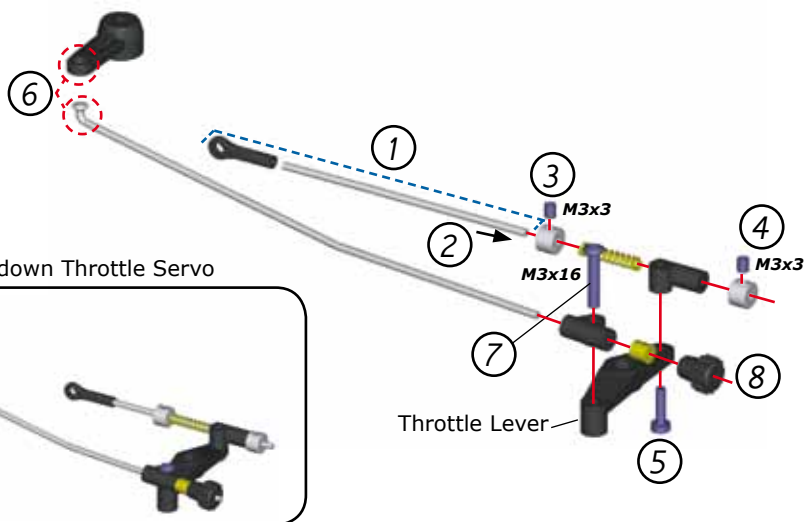


F

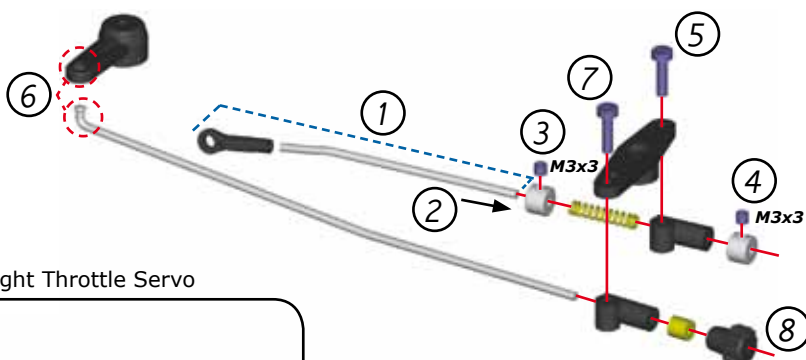
2







**OPTION 1:** Laydown Throttle Servo

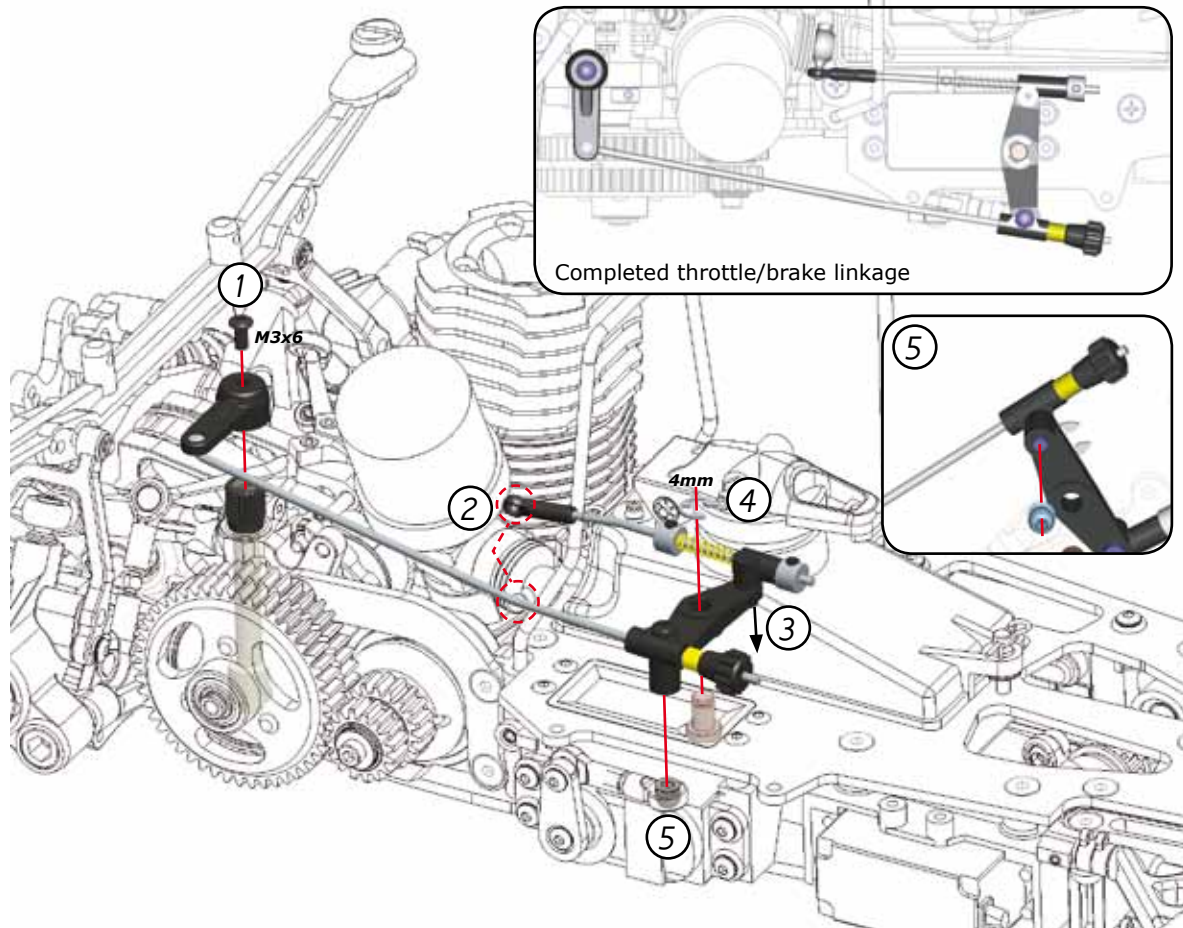


**OPTION 2:** Upright Throttle Servo



Use the following servo arms with these brands of servos.  
23 - Sanwa / KO / JR  
24 - Hitec  
25 - Futaba

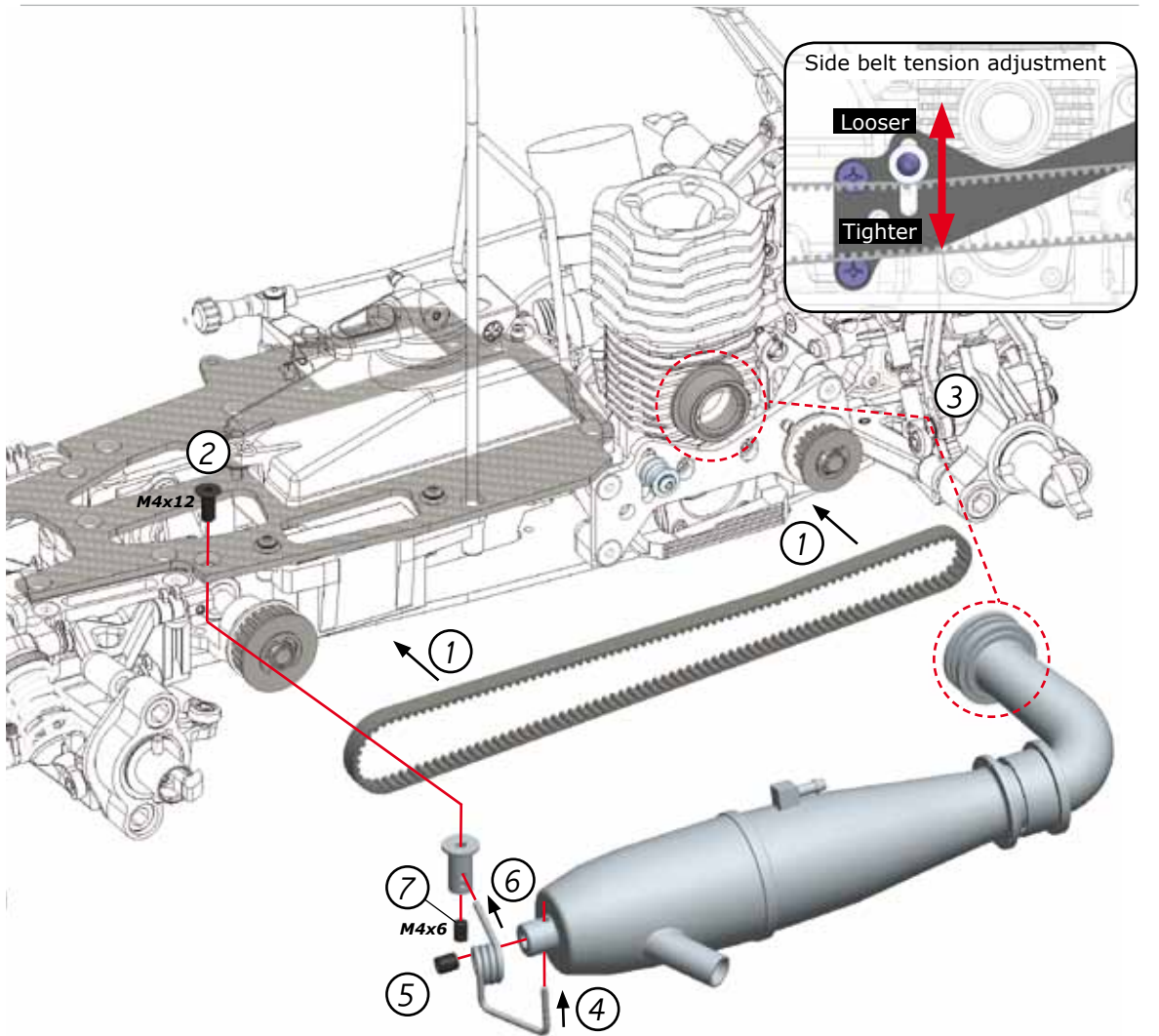
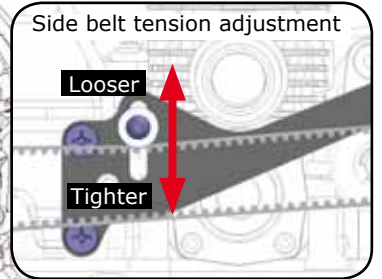
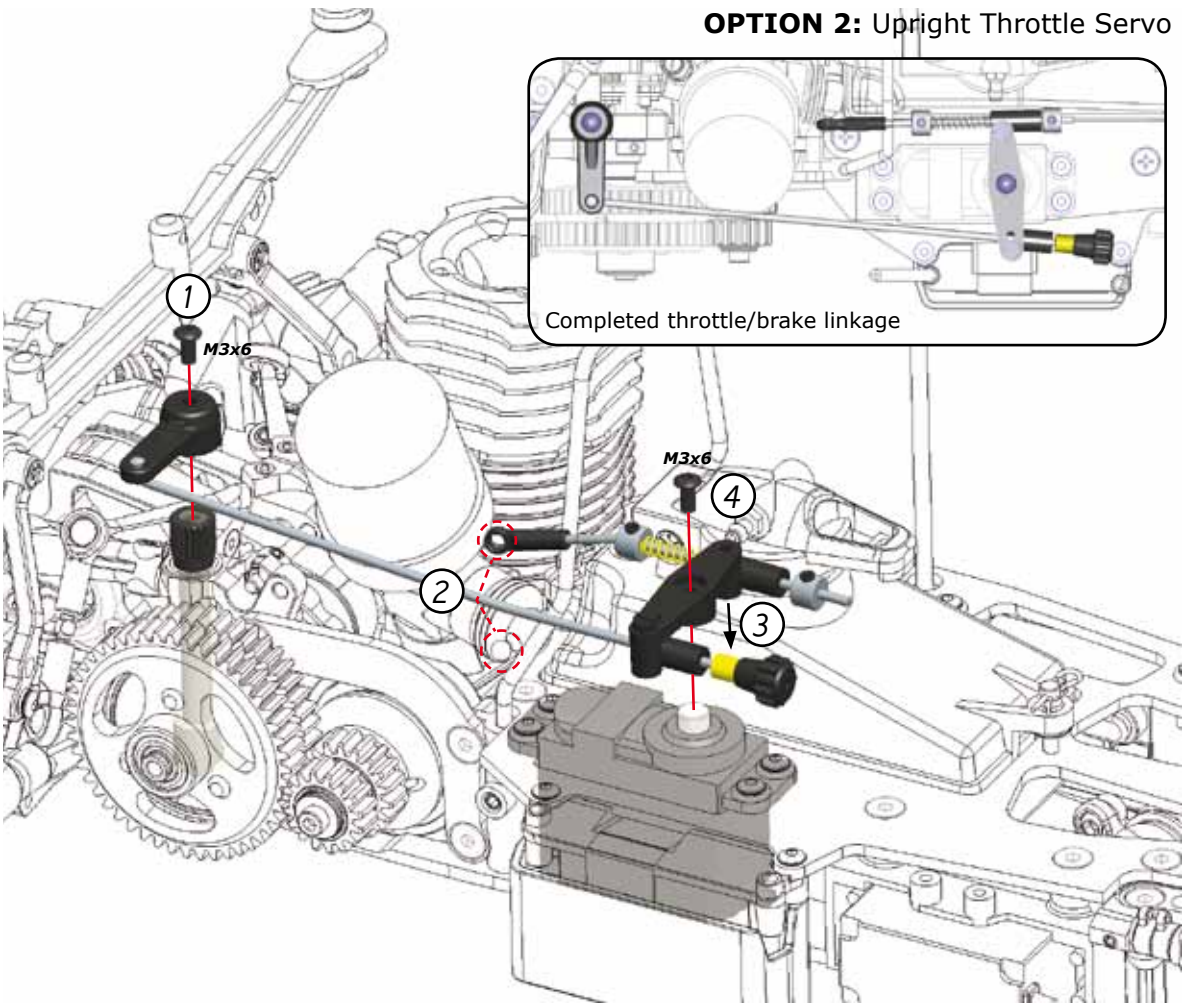
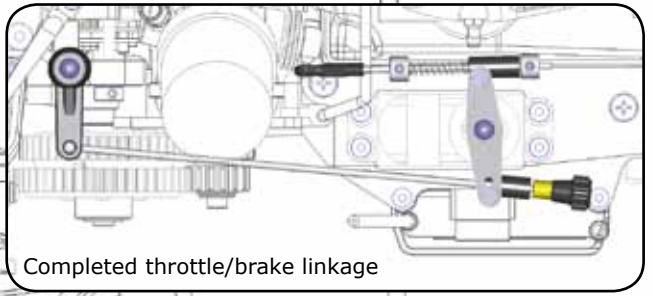
**OPTION 1:** Laydown Throttle Servo

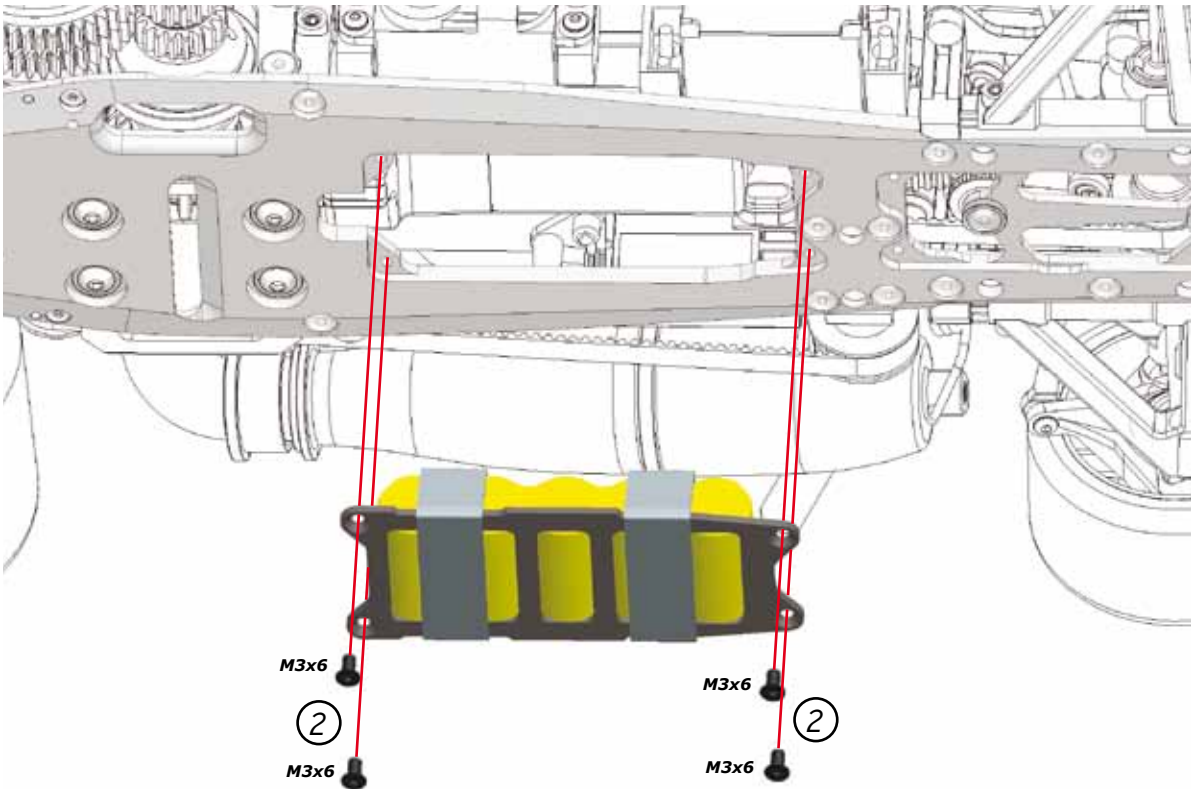
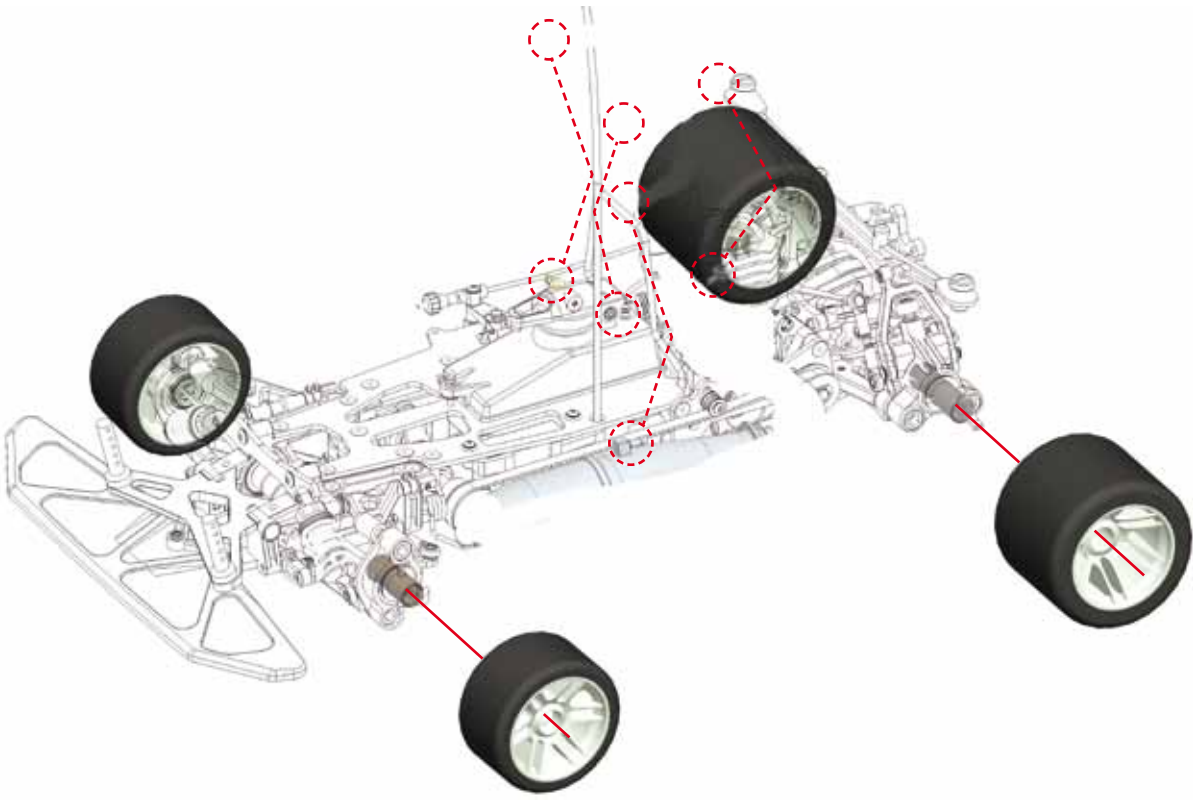


Completed throttle/brake linkage

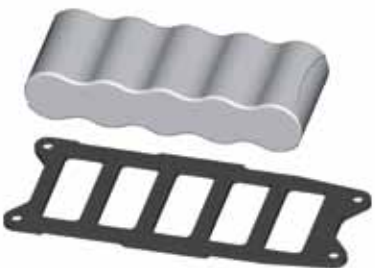


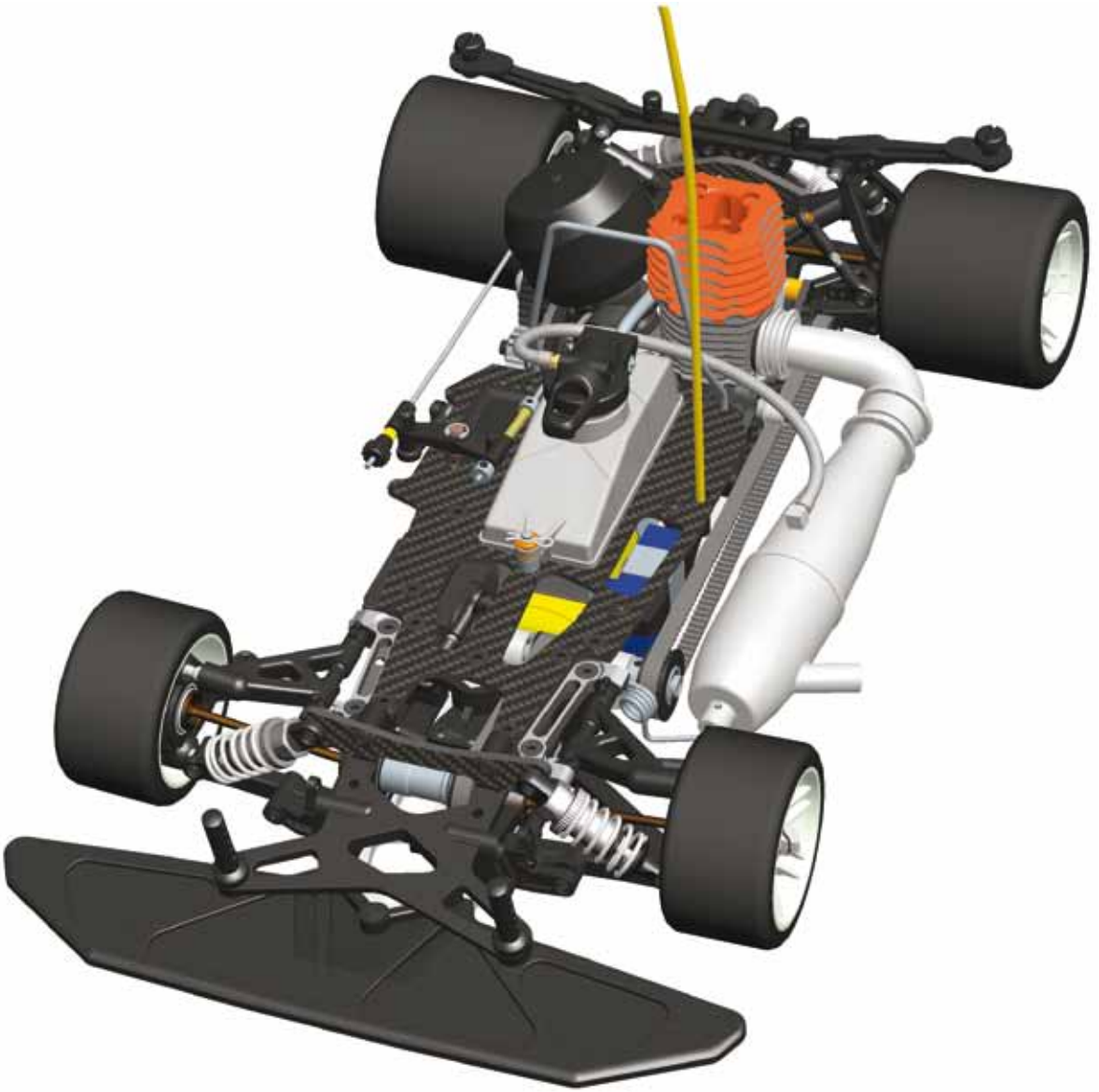
OPTION 2: Upright Throttle Servo



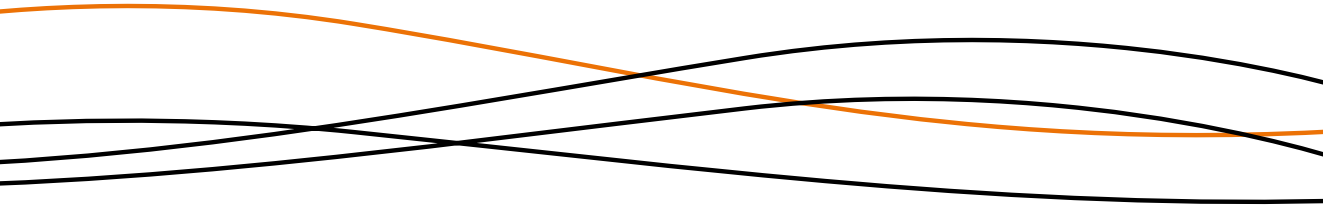


- 1 Securely attach battery pack to mounting plate.



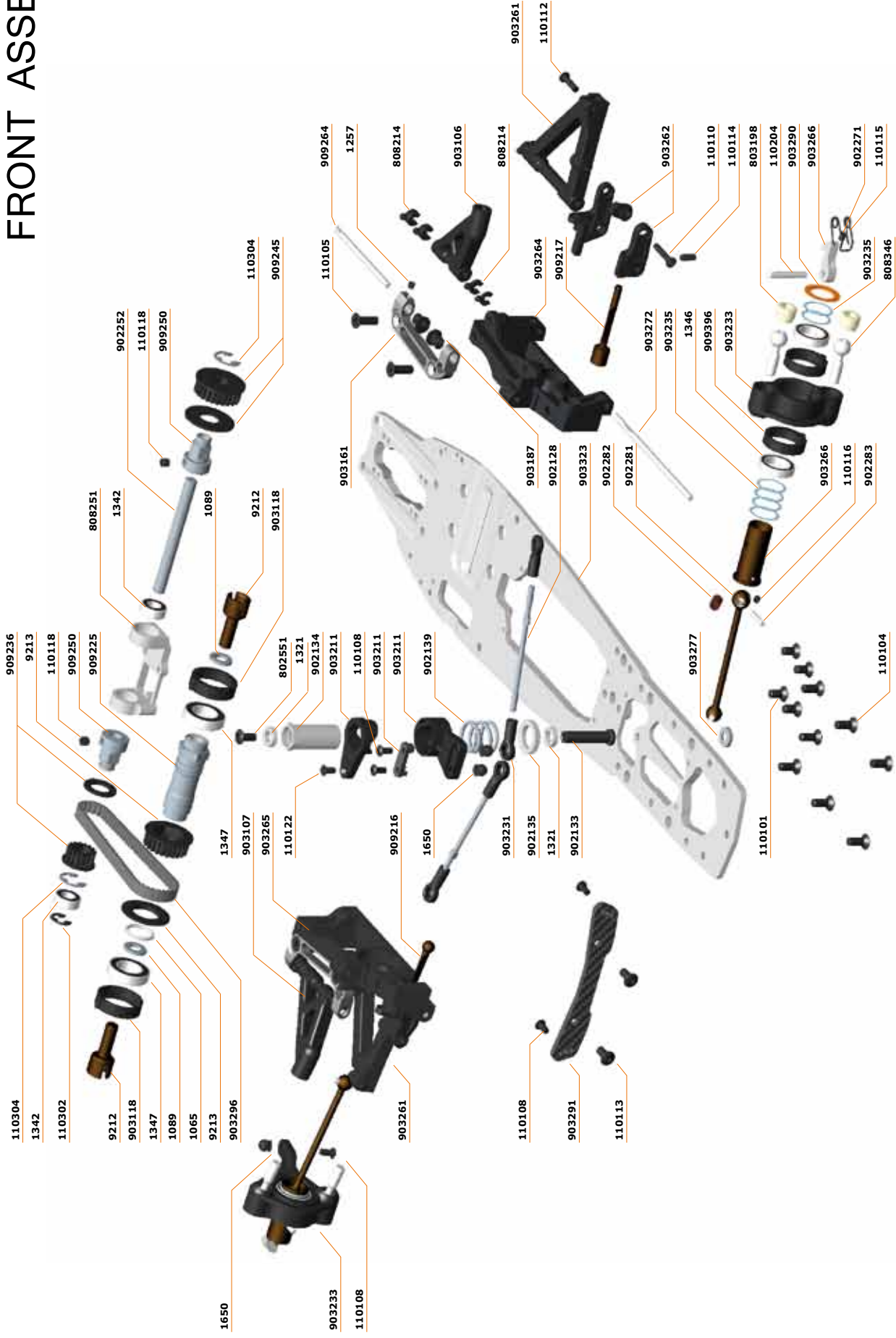


# REFERENCE GUIDE





# FRONT ASSEMBLY



110304

1342

110302

9212

903118

1347

1089

1065

9213

903296

1650

903233

110108

903261

1347

903107

903265

110122

802551

1321

902134

903211

110108

903211

903211

902139

902116

1650

903231

902135

1321

902133

110108

903291

110113

9212

903118

903118

903161

903187

902128

903323

902282

902281

903272

903235

1346

909396

903233

903266

110116

902283

110101

903277

808251

1342

1089

902252

110118

909250

110304

909245

110105

909264

1257

808214

903106

808214

903261

110112

903264

909217

903262

110110

110114

803198

110204

903290

903266

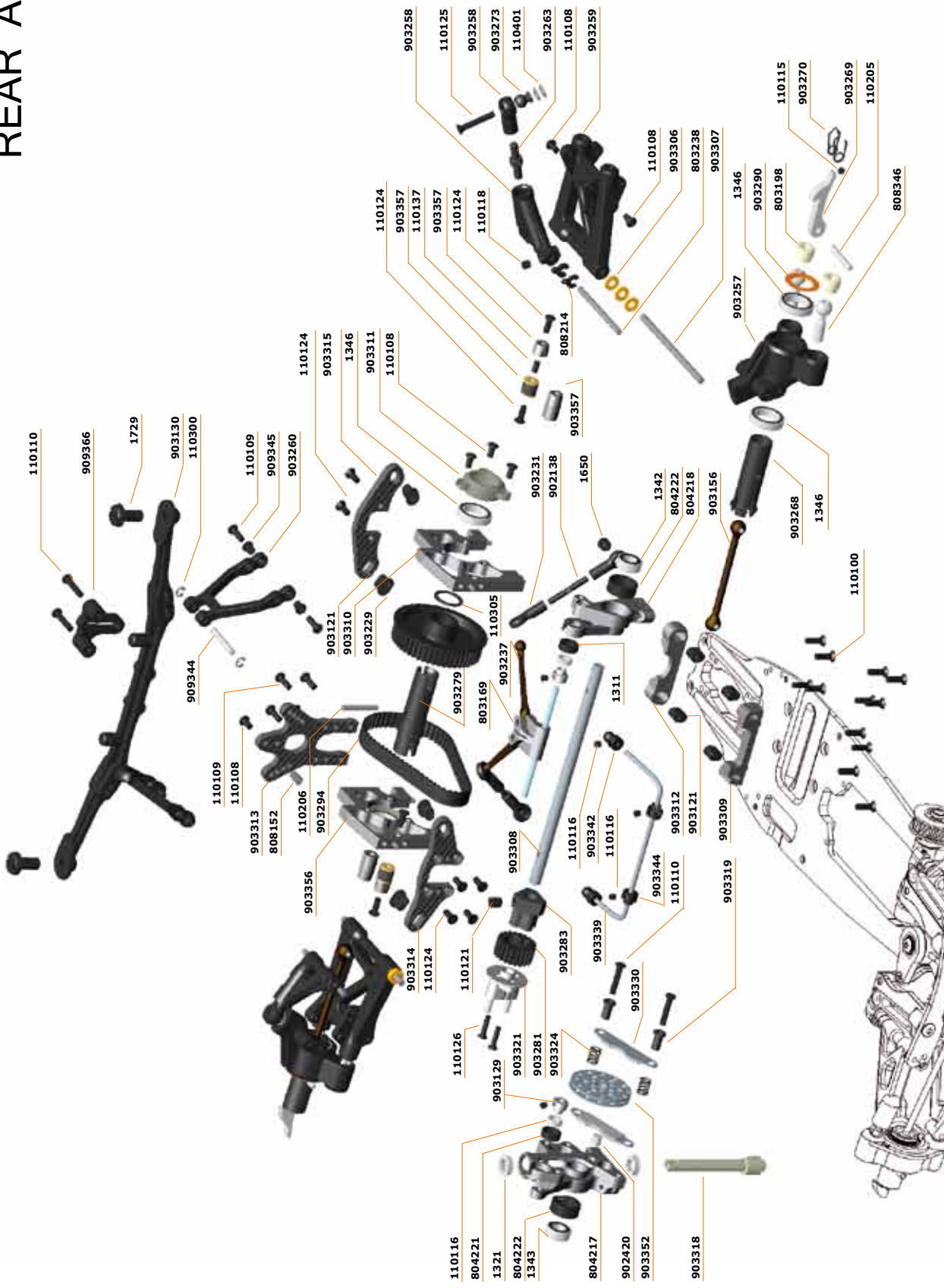
902271

110115

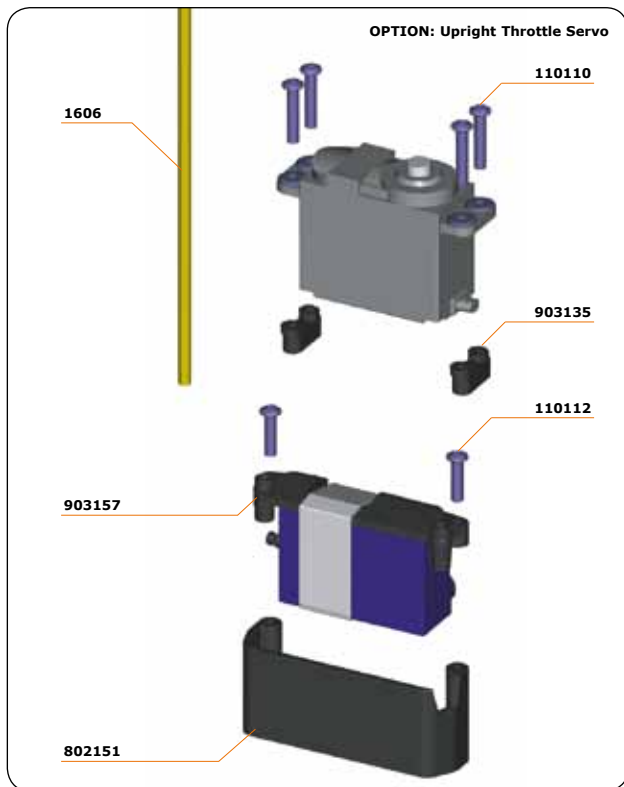
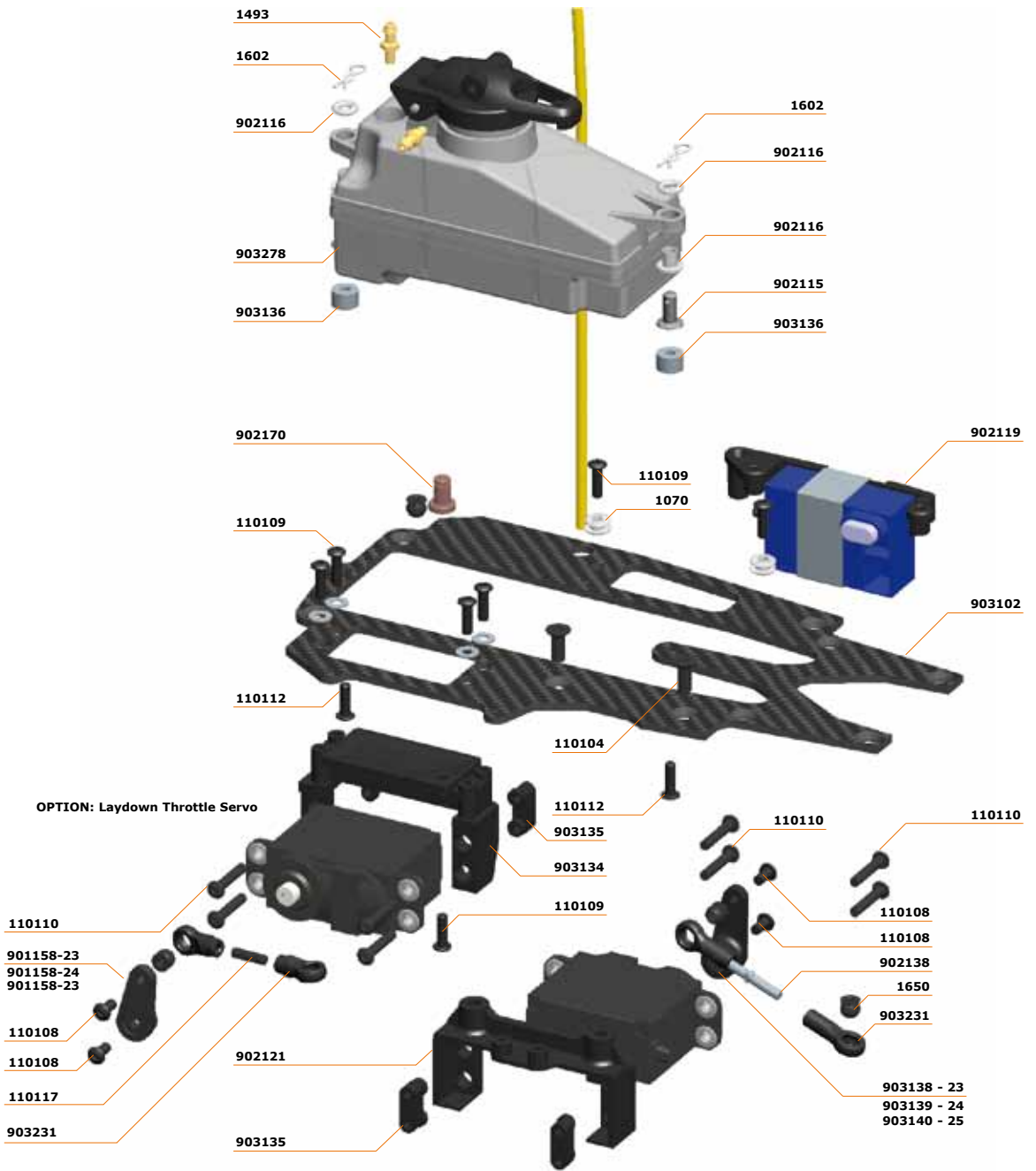
903235

808346

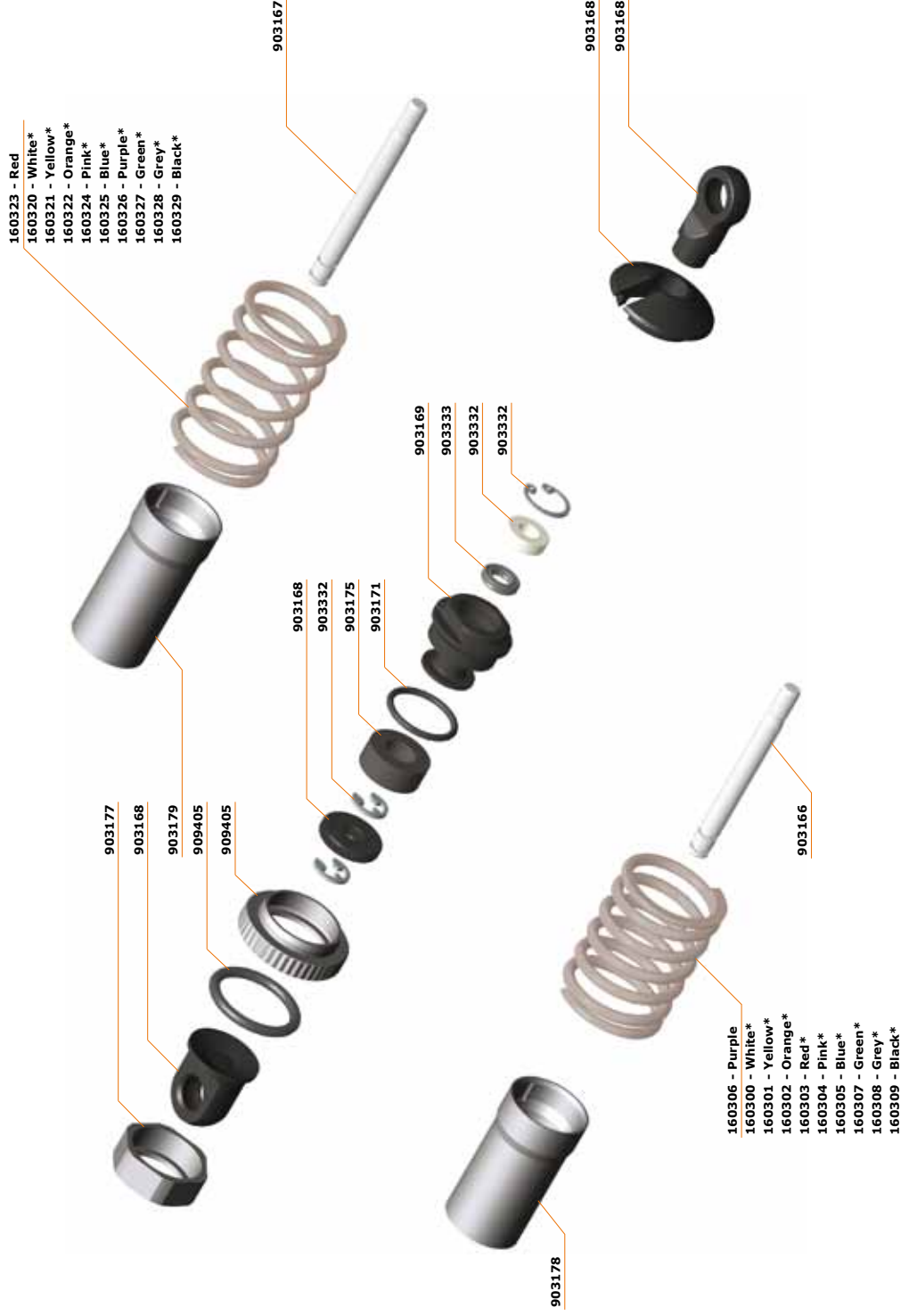
# REAR ASSEMBLY



# RADIO PLATE ASSEMBLY



# SHOCK ASSEMBLY

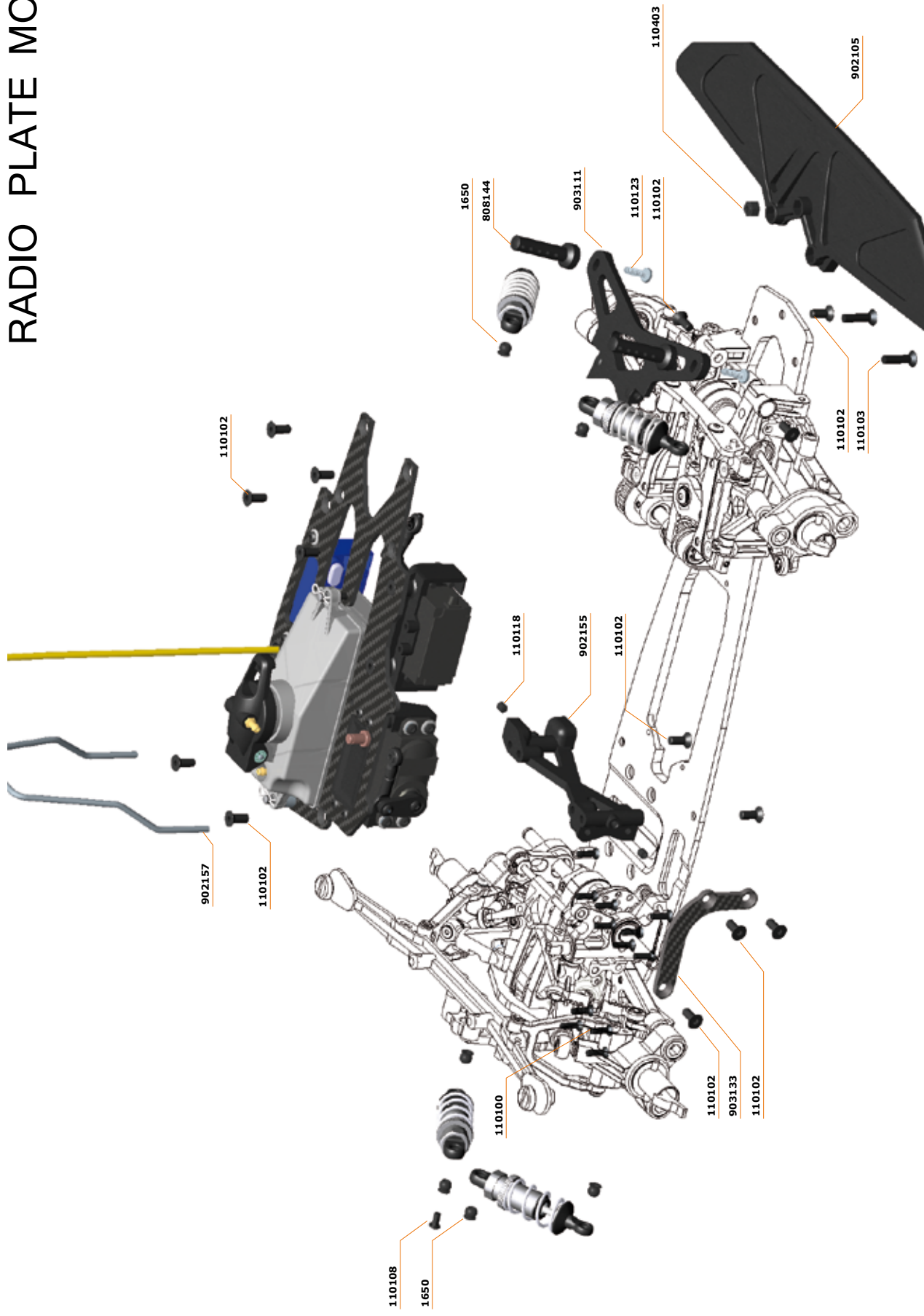


#903332 - Revision-set RCC shocks  
 #903334 - RCC Shock-set short 2009 (2)  
 #903335 - RCC Shock-set long 2009 (2)

\* - Optional

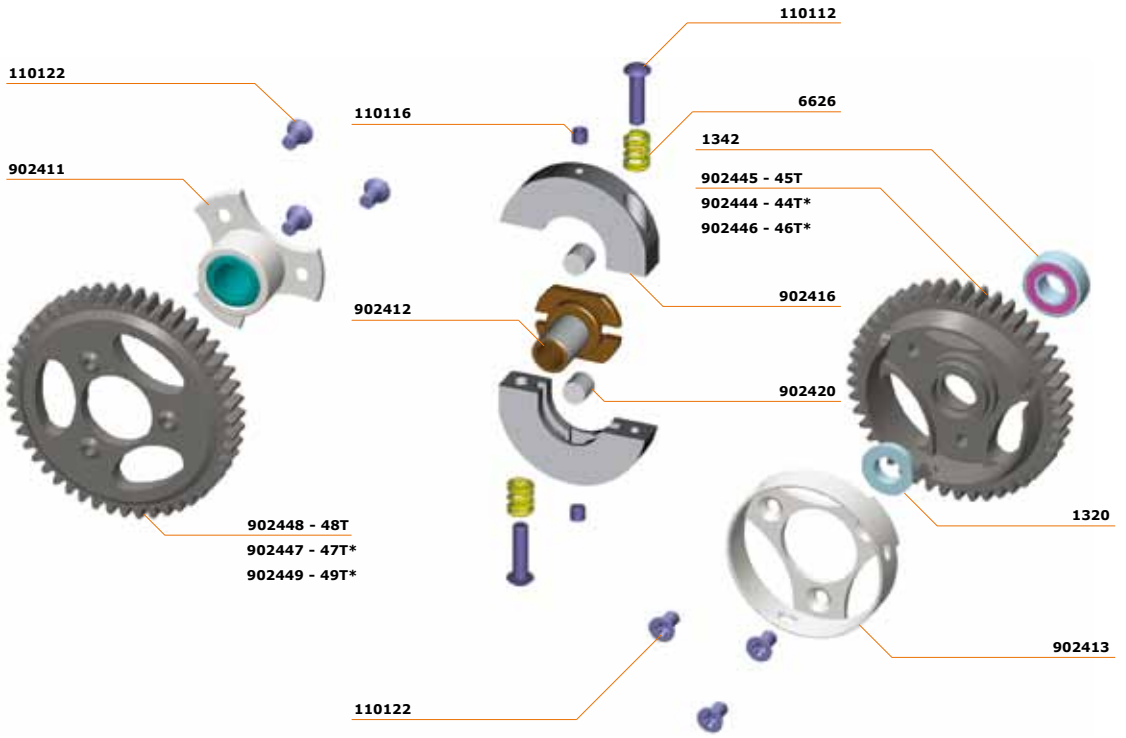


# RADIO PLATE MOUNTING



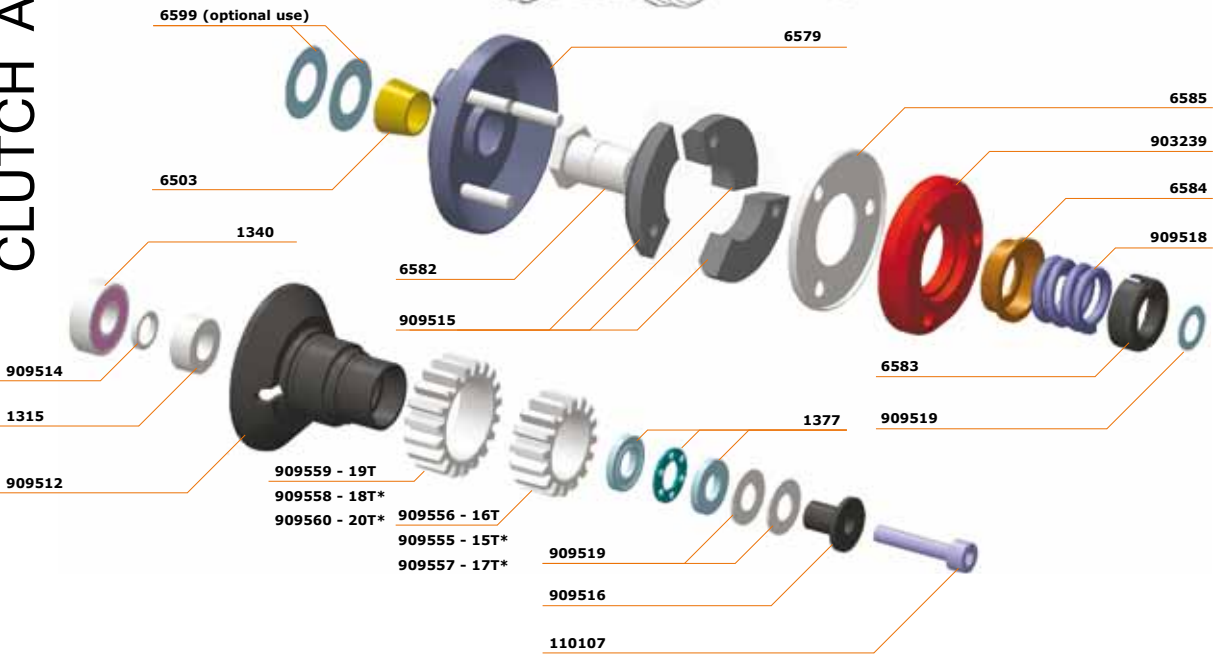
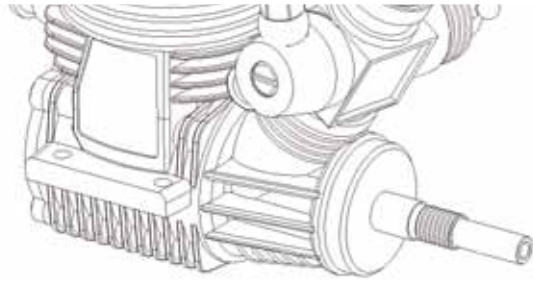
# GEARBOX ASSEMBLY

#902410 - 2 Speed gearbox LC (no shaft incl.)  
 #903116 - 2 Speed shaft 960



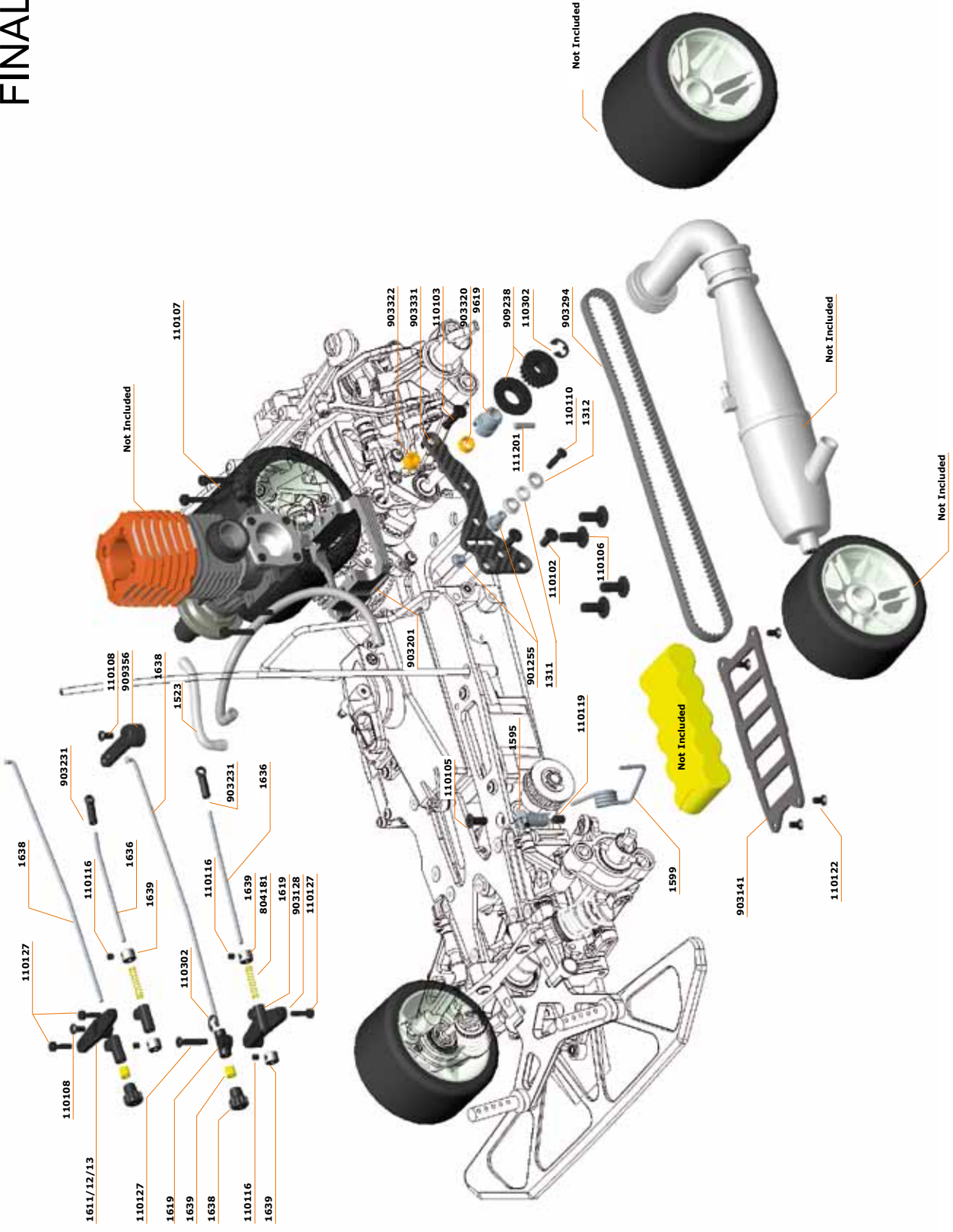
\* - Optional

# CLUTCH ASSEMBLY



\* - Optional

# FINAL ASSEMBLY



# SERPENT 966 PARTS LIST

## 903009 SERPENT 966 1/8 4WD KIT

ART No. DESCRIPTION

### MANUAL, DECALS

903327 Manual 966  
903328 Reference guide 966  
903329 Decal sheet 966 (2)

### RADIO INSTALLATION / BATTERY

1070 Grommet rubber soft (4)  
1296 Washer nylon M3x7x0.5 (4)  
1611 Servo lever 23T, double arm (2)  
1612 Servo lever 25T, double arm (2)  
1613 Servo lever 24T, double arm (2)  
1619 Wire-guide nylon  
1636 Throttle linkage set  
1638 Brake-linkage set  
1639 Collar alu 2.1 + setscrew (4)  
1650 Balls 6mm/setscrews hex (4)  
1654 Spring small (4)  
802151 Receiver cover  
901158 Servo lever 23T, single arm  
901159 Servo lever 24T, single arm  
901160 Servo lever 25T, single arm  
902119 Receiver bracket 960  
902121 Mounting bracket steering servo  
902138 Rod 23mm threaded L + R (2)  
902170 Shaft, throttle lever  
902172 Throttle slide part  
903128 Throttle lever  
903134 Bracket throttle-brake servo  
903135 Mount-supports servo  
903138 Servo lever 23T, single arm  
903139 Servo lever 24T, single arm  
903140 Servo lever 25T, single arm  
903141 Battery-support plate S960 Carbon  
903157 Receiver bracket 710 / 960  
903196 Mount st servo V2+ transponder mount  
903197 Mount steering-servo V2  
903231 Ball joints frame 12+4+2

### SERVO SAVER AND STEERING

902128 Track-rod set (2)  
902133 Servo-saver shaft inner  
902134 Servo-saver shaft outer  
902135 Servo-saver pre-tension nut  
902139 Servo-saver spring hard  
903211 Servo-saver set 960 nylon adj.  
903230 Ball joints 5.8mm frame

### FUEL TANK AND PARTS

600117 Fuel Cap seal silicone (2)  
1438 Fuel cap with shaped seal  
1493 Pressure nipple  
1602 Tank-clips small (10)  
902115 Mounting-pin tank + rubber cap (2)  
902116 Cap rubber for mounting pin tank (2)  
903136 Shim 3.1x8x5 nylon  
903278 Fuel tank 125cc AFL cap / shaped seal

### SHOCK ABSORBERS

903164 Shock-set front (2)  
903165 Shock-set rear (2)  
903166 Piston rod FR (2)  
903167 Piston rod RR (2)  
903168 Nylon parts frame shocks

903169 shock bottom (2)  
903171 O-ring 10x1 (4)  
903172 O-ring 3.8x1.5 (4)  
903173 O-ring 12x1.6 (4)  
903174 E-clip 2.3mm (4)  
903175 Foam insert (4)  
903176 Nut adj alu + o-ring (4)  
903177 Nut shock alu (4)  
903178 Body alu shock FR (2)  
903179 Body alu shock RR (2)  
803196 shock-RCC revision-set  
903347 Balljoint demper 2009

### SHOCK SPRINGS

160300 Spring white L23 (2.3/13) (2)  
160301 Spring yellow L23 (2.8/16) (2)  
160302 Spring orange L23 (3.4/19.5) (2)  
160303 Spring red L23 (4.1/23.5) (2)  
160304 Spring pink L23 (4.0/28) (2)  
160305 Spring blue L23 (5.8/33) (2)  
160306 Spring purple L23 (6.8/39) (2)  
160307 Spring green L23 (8/45.5) (2)  
160308 Spring grey L23 (9/51.5) (2)  
160309 Spring black L23 (10/57) (2)  
160310 Spring-set short (5x2)  
160320 Spring white L27 (2.3/13) (2)  
160321 Spring yellow L27 (2.8/16) (2)  
160322 Spring orange L27 (3.4/19.5) (2)  
160323 Spring red L27 (4.1/23.5) (2)  
160324 Spring pink L27 (4.0/28) (2)  
160325 Spring blue L27 (5.8/33) (2)  
160326 Spring purple L27 (6.8/39) (2)  
160327 Spring green L27 (8/45.5) (2)  
160328 Spring grey L27 (9/51.5) (2)  
160329 Spring black L27 (10/57) (2)  
160330 Spring black L27 set (5x2)

### CHASSIS / RADIO PLATE

902155 Radio plate bracket  
902157 Roll-bar chrome  
903102 Radio plate S960  
903133 Sideplate R carbon  
903277 Washer alu conical M4 (4)  
903322 Sideplate bushing 966  
903323 Chassis 966 LCG  
903331 Sideplate L 966 carbon

### BODYMOUNTS FR and RR

1601 Body clips (10)  
808144 Body mount universal  
808152 Centering bushing threaded  
903111 Body plate FR  
903130 Bodymount RR  
903260 Arms body-mount long RR (2)  
909344 Pivot pins body mount upper (2)  
909345 Pivot bushings rear body mount (4)  
909366 T-bracket rear body support

### FRONT SECTION

1065 O-ring for alu front axle (10)  
1089 Shim nylon adaptor FR 6.1x11x1 (4)  
903296 Belt 60S3M201 Orange  
803198 Adjustable Nut Nylon (10)  
803204 Anti-roll bar blades set FR soft  
808214 Caster spacer set (2)  
808346 Pivot balls steel 8.5mm (2)  
902105 Bumper



902271 Springs quick-change short (4)  
 902272 Wheel-nut alu + O-ring (4)  
 902281 Driveshaft FR cv-set (2)  
 902282 Insert alu CV (2)  
 903106 Wishbone FR upper L  
 903107 Wishbone FR upper R  
 903118 Eccentric nylon (2)  
 903161 Susp bracket alu FR upper L + R  
 903233 Steering block WOS (1+2)  
 903261 Wishbone front lower (2)  
 903262 Anti-roll bar lever/downstop front  
 903264 Bearing block front left 08  
 903265 Bearing block front right 08  
 903266 Wheel-axles front CV set OS2  
 903267 Lever alu /spring/pin FR OS2 (2)  
 903272 Pivot pin 3x82mm (2)  
 903290 Shim wheelaxle OS2 18x12x1mm (4)  
 903143 Roll center carbon spacer 1mm  
 903291 Shock-support carbon FR v3  
 903302 Cvd-shaft FR OS2 set (2)  
 909224 Shim 12x18x0.3mm (2)  
 909225 Front axle alu. with OWB  
 909264 Pivot pins front upper (2)  
 9212 Inner driveshaft adaptors (2)  
 9213 Pulley / flange 24T  
 903187 Eccenters support fr up (4)  
 909396 Bearing eccentric (2)

#### MIDDLE SECTION

903295 Belt 60S3M432 Orange  
 808251 Middle shaft bracket alu  
 901255 Belt-tensioner shaft and nut  
 902252 Middle shaft steel  
 909236 Pulley / flange 16T  
 909238 Pulley / flange 18T  
 909242 Pulley / flange 22T  
 909245 Pulley / flange 25T  
 909250 Pulley adaptor alu. (2)

#### REAR SECTION

802328 Pivot pin rear upper (2)  
 803198 Adjustable Nut Nylon (10)  
 804217 Bearingblock 2sp R 733/966 V2  
 804218 Bearingblock 2sp L 733/966 V2  
 902272 Wheel-nut alu + O-ring (4)  
 903118 Eccentric Nylon (2)  
 903121 Pivot insert nylon (4+4+4)  
 903154 Nylon inserts wheel-axles (2)  
 903156 Driveshaft rear 62mm (2)  
 903201 Engine monoblock M21  
 903229 Pulley solid axle 51T V2  
 903250 Pivot-balls 8.5mm 27.7mm (2)  
 903257 Upright 960 OS2 (2)  
 903258 Wishbone rear upper (2)  
 903259 Wishbone rear lower (2)  
 903263 Track rod with hole 25mm (2)  
 903268 Wheelaxle RR OS2 (2)  
 903269 Lever alu/spring/pin RR OS2 (2)  
 903273 Ball 6.8mm steel (2)  
 903279 Solid axle RR / clip  
 903290 Shim wheelaxle OS2 18x12x1mm (4)  
 903306 Shim 3.5x8x1 orange (12)  
 903307 Pivot pin 3.5x66.5 Rear low (2)  
 903309 Suspension Bracket rear FR  
 903356 Bearingblock 966 rear V2  
 804220 Bushings bearingblock l+r 733 / 966 V2 (2)  
 804221 Bushings arb bearingblock l+r 733/966 V2 (2)  
 903311 Eccenter 960 (2)  
 903312 Suspension Bracket rear rr  
 903313 Shocktower 966 rear

903314 Uppersuspension bracket FR 966  
 903315 Uppersuspension bracket rr 966  
 903322 Sideplate bushing 966  
 903294 Belt 80S3M210 Orange  
 909224 Shim 12x18x0.3mm (2)  
 9619 Pulley adapter alu 19T  
 903339 Antirollbar 966 RR 2,5mm  
 903344 Antirollbar spacer 2.5mm (2)  
 903342 Antirollbar ball 2,5mm (2)

#### BRAKE SYSTEM

903281 Brake pulley 22T V2  
 903282 Brake pulley adaptor V2  
 903318 Brake cam 966  
 903319 Brake bushing (2)  
 903321 Brake pully retainer 966  
 903324 Brake spring (2)  
 903330 Brakeplate/pad set premounted  
 909356 Brake-cam / spring-set  
 903352 Brake disk onepiece

#### 2-SPEED GEARBOX

6626 Springs / screws 2-speed  
 902410 2-speed gearbox LC (no shaft incl)  
 902411 Drive-flange alu with OWB LC  
 902412 Adaptor 2-speed LC  
 902413 Clutch bell alu LC  
 902416 2-speed clutch shoes set LC  
 902444 2-speed gear 44T (2nd) LC  
 902445 2-speed gear 45T (2nd) LC  
 902446 2-speed gear 46T (2nd) LC  
 902447 2-speed gear 47T (1st) LC  
 902448 2-speed gear 48T (1st) LC  
 902449 2-speed gear 49T (1st) LC  
 903308 2 speed shaft 966  
 903320 2sp shaft bushing 966

#### CLUTCH SYSTEM

1377 Centax II thrust-bearing 5x10  
 6503 Flywheel cone (3)  
 6579 Centax flywheel 38mm  
 6582 Centax clutch-nut  
 6583 Centax pre-load adjusting nut  
 6584 Centax spring cup  
 6585 Centax thrust washer  
 6599 Centax shim-set 7x13 (10)  
 903212 Centax support-disk alu  
 903222 Centax II revision-set  
 903223 Spur gear-set 1/8 (7)  
 903224 Gear pinion set Centax II  
 903239 Centax-2 clutch-shoe red  
 909510 Centax II clutch-set (excl. Flywheel)  
 909512 Centax II clutch-housing universal  
 909514 Centax II bearing spacer 5x7  
 909515 Centax II centrifugal shoes (3)  
 909516 Centax II spacer thrustbearing  
 909518 Centax II coilspring 1.8  
 909519 Centax 5x10 shim-set 0.1 (2) 0.3 (1)  
 909555 Centax gear-pinion alu. 15T  
 909556 Centax gear-pinion alu. 16T  
 909557 Centax gear-pinion alu. 17T  
 909558 Centax gear-pinion alu. 18T  
 909559 Centax gear-pinion alu. 19T  
 909560 Centax gear-pinion alu. 20T

#### ENGINE MOUNTS

1021 Screw flanged allen M5x8 (4)  
 1595 Mount alu exhaust wire  
 1599 Exhaust mounting wire  
 903201 Engine monoblock M21

## BALL-BEARINGS

1311	Ball-bearing 5x8 HS
1312	Ball-bearing 5x8 flanged HS
1315	Ball-bearing 5x10 HS
1320	Ball-bearing 6x10 flanged HS
1321	Ball-bearing 6x10x3 HS (2)
1340	Ball-bearing 5x13 HS (2)
1342	Ball-bearing 6x13 HS (2)
1346	Ball-bearing 12x18 HS (2)
1347	Ball-bearing 12x21 HS (2)
1377	Thrustbearing 5x10

## BODIES AND WINGS

1601 Body clips (10)

### Optionals

1434	Pressure Nippleset tank 90'
1666	Transpondermount carbon
6123A	Body post alu short (2)
6587N	Centax clutch shoe Yellow
902129	Turnbuckle 65mm titanium (2)
902156	Radioplate support 950/960 alu
902250	Middle shaft bracket
902253	Middle shaft alu coated
902270	Wheel-axles front QC-fixed set OS1
902280	Wheel-axles front CV set OS1
902370	Wheel-axles rear QC-fixed set OS1
903127	Anti-roll bar rear adjustable
903129	Spacer anti-roll bar RR
903160	Eccentric bearing alu (2)
903189	Middle bracket/shaft-set alu 960
903190	Centering-set carbon rear body mount
903193	Filler-plate carbon for chassis
903195	Battery-plate closed carbon
903199	Centax fly-weights SPP (3)
903203	Throttle-brake lever alu+bearings
903219	Centax II clutch set Pro
903226	Shock rod RCC short Ti-Ni (2)
903227	Shock rod RCC long Ti-Ni (2)
903232	Springwasher alu light (4)
903235	Shim 12x15x0.25 (10)
903237	Anti-roll bar blade soft (2)
903240	Shock spring support nylon ISL (4)
903241	Battery holder brass
903251	Disk brake ultra cool
903253	Upgrade-set 960 OS 1 RR
903288	Radioplate support alu & weight
903289	Weight radioplatesupport brass 50gr
903293	Weight center brass 54gr
903298	Belt 80S3M210 Low Friction
903299	Belt 60S3M432 Low Friction
903300	Belt 60S3M201 Low Friction
903332	Shock RCC-X revision set
903333	X-ring RCC-X Shock
903336	Insert RCC-X shock (2)
903337	Complete Antirollbar set RR (3)
903338	966 Antirollbar RR 2,2mm
903339	966 Antirollbar RR 2,5mm
903340	966 Antirollbar RR 2,8mm
903341	Antirollbar Ball 3mm (2)
903342	Antirollbar Ball 2,5mm (2)
903343	Antirollbar Spacer 3mm (2)
903344	Antirollbar Spacer 2,5mm (2)
903345	966 Central rear stifner complete
903346	Screws for central rear stifner
903348	Pulley alu 16T anodized
903349	Pulley alu 18T anodized
903350	Pulley alu 25T anodized
903351	Upright 966 OS2 wide offset (2)
903353	Decal sheet 966 chrome (2)

903354	966 link radiotray set
903355	966 link radiotray screw M4-M3x8 (2)
903357	Connectorset 966 (2+2)
909216	Anti-roll bar blade male
909217	Anti-roll bar blade female
909224	Shim 12x18x0.3mm (2)
909228	Wheel-axle washers conical OS1 (4)
909244	Pulley / flange 24T
909251	Pulley-adaptor alu light (2)
909255	Pulley 24T alu hard-anodised
909325	Q-C levers RR alu OS1(2)
9226	Lever alu quick-change (2) OS1

## TOOLS

1461	Tool front anti-roll bar
1462	Tool pressure nipple / Centax nut
903202	Tool RCC shocks
903210	Tool nut-driver 12x100mm SPP
909590	Gear pinion wrench
909593	Clutch housing gripper
909597	Centax gap-tool alu

## MERCHANDISING

1872	Rucksack Serpent (35x45cm) black
1873	Rucksack Serpent (48x61cm) black
1883	Banner Serpent S-logo 2x1m nylon
190127	T-shirt Serpent LTS orange (S)
190128	T-shirt Serpent LTS orange (M)
190129	T-shirt Serpent LTS orange (L)
190130	T-shirt Serpent LTS orange (XL)
190131	T-shirt Serpent LTS orange (XXL)
190132	T-shirt Serpent DTR black (S)
190133	T-shirt Serpent DTR black (M)
190134	T-shirt Serpent DTR black (L)
190135	T-shirt Serpent DTR black (XL)
190136	T-shirt Serpent DTR black (XXL)
190110	Sweater hooded Serpent black (S)
190111	Sweater hooded Serpent black (M)
190112	Sweater hooded Serpent black (L)
190113	Sweater hooded Serpent black (XL)
190114	Sweater hooded Serpent black (XXL)
1998	Serpent Cap black/orange

## FASTENING MATERIALS

110100	Screw allen countersunk m3x10 (10)
110101	Screw allen countersunk m4x8 (10)
110102	Screw allen countersunk m4x10 (10)
110103	Screw allen countersunk m4x16 (10)
110104	Screw allen countersunk m4x10 (10)
110105	Screw allen countersunk m4x12 (10)
110106	Screw allen fl. roundhead m5x12 (10)
110107	Screw allen countersunk m3x16 (10)
110108	Screw allen roundhead m3x6 (10)
110109	Screw allen roundhead m3x10 (10)
110110	Screw allen roundhead m3x16 (10)
110111	Screw allen roundhead m3x14 (10)
110112	Screw allen roundhead m3x12 (10)
110113	Screw allen roundhead m4x8 (10)
110114	Setscrew allen m3x8 (10)
110115	Setscrew allen m3x4 (10)
110116	Setscrew allen m3x3 (10)
110117	Setscrew allen m3x12 (10)
110118	Setscrew allen m4x4 (10)
110119	Setscrew allen m4x6 (10)
110120	Setscrew allen m4x10 (10)
110121	Setscrew allen m5x6 (10)
110122	Setscrew allen m3x6 (10)
110123	Screw ph roundhead 3.5x13 (10)
110200	Pin 2,5x8 (10)
110201	Pin 3x12 (10)



abb

**SERPENT**

Serpent Model Racing Cars BV  
Spaarneweg 12E, 2142 EN, Cruquius  
The Netherlands, Europe