



INSTRUCTION MANUAL
& REFERENCE GUIDE



The **Serpent S811 Cobra Truggy TE** is based on the same platform as the highly successful Serpent Cobra Buggy. The Serpent S811 Cobra Truggy TE is designed by Billy Easton, to be a champion, while still being easy to use, assemble, and set up. You are now part of the worldwide network of Serpent drivers, which gives you superior technical support and access to many benefits that only Serpent drivers can enjoy.

The Serpent S811 Cobra Truggy TE offers state of the art specifications and leads the way in 1/8 scale gas offroad chassis design, using all the knowledge our designers have gathered from racing offroad cars for over 15 years, into this design too. Continuously pushing the performance envelope, Serpent's engineers have added many new and innovative features that help take your Serpent S811 Cobra Truggy TE into the winner's circle.

INSTRUCTIONS

Serpent's long tradition of excellence extends to the instruction manuals, and this instruction manual is no exception. The easy-to-follow layout is richly illustrated with 3D-rendered full-color images to make your building experience quick and easy.

Following the instructions will result in a well-built, high-performance race-car that will soon be able to unleash its full potential at the racetrack.

This instruction manual has been divided into sections that will logically lead you through the assembly process of your Serpent S811 Cobra Truggy TE. Follow the assembly steps in the order presented to ensure that no problems occur during assembly. Each step indicates all the fasteners, bearings and small parts used. Bag numbers identify the kit bag(s) that contains the appropriate parts.

EXPLODED VIEWS AND PARTS LIST

The exploded views and parts lists for the Serpent S811 Cobra Truggy TE are included in the back of this manual. The exploded views show all the parts of a particular assembly step along with the Serpent part number. The parts lists indicate the part number and name of each part for easy reference when ordering.

SAFETY

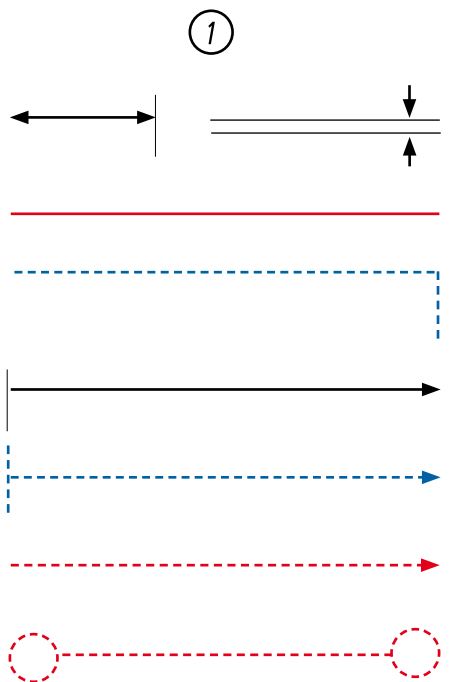
Included with your Serpent S811 Truggy TE kit is a document entitled 'Read This First' that covers safety precautions for the assembly and use of this product. We strongly recommend that you thoroughly read and understand that document, and follow all the precautions.

The printed instruction manual included with your Serpent S811 Cobra Truggy TE kit is very complete, though due to continuous product development, more up-to-date information may be provided at our **Serpent.com** website.

All information about the Serpent S811 Cobra Truggy TE is accessible from the Serpent S811 Truggy product page which can be found on Serpent.com and can be accessed by simply typing serpent.com/600030 into your web browsers address bar. From the Serpent S811 Truggy product page you will find the very latest information about your Serpent S811 Truggy TE: reports by team drivers and other experts, tips and tricks, setups, image gallery and downloadable files including the latest version of the instruction manual will be made available as downloadable PDF-files.



USING THE MANUAL



Step number;
the order in which you should assemble the indicated parts

Length after assembly / Gap between two items

Assembly path of one item into another

Group of items (within lines) should be assembled first

Direction the item should be moved

Glue one item to another

Press/Insert one item into another

Connect one item to another



Apply transmission grease (Grey), threadlock* (Blue),
CA glue* (Red) or differential grease (Orange).
(*Items not included.)



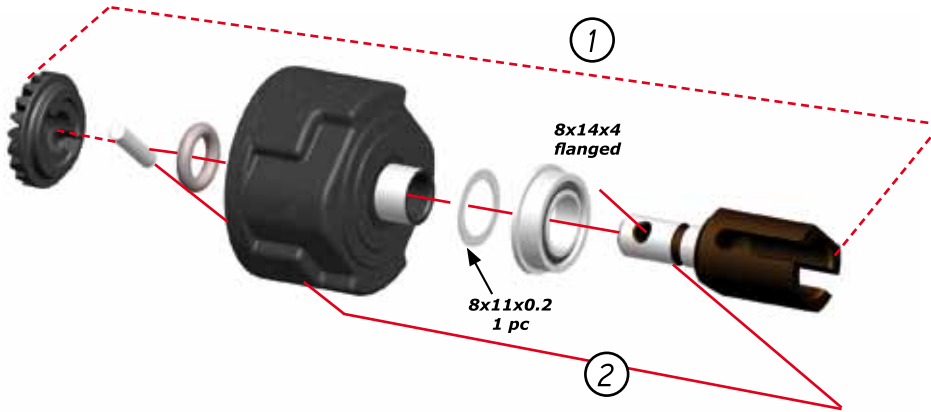
Apply silicone oil.

A

DIFFERENTIAL CENTER

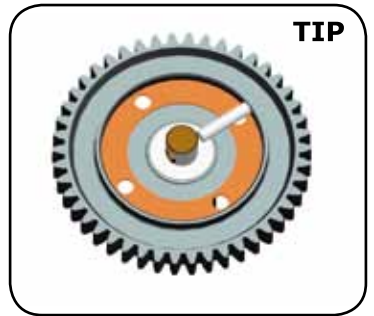
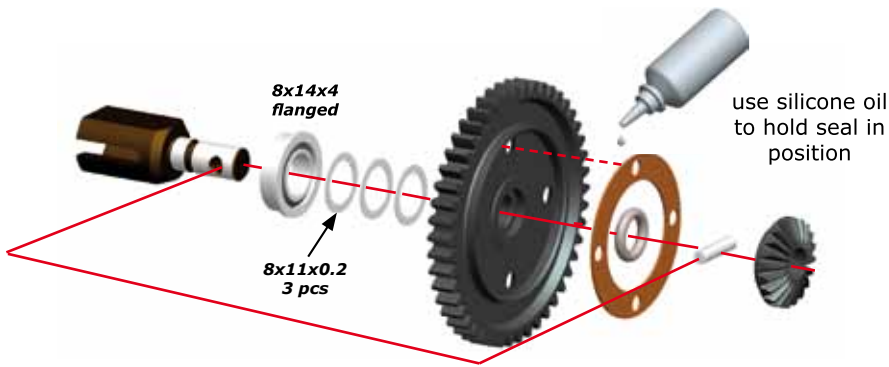
1

CENTER
DIFF
BAG



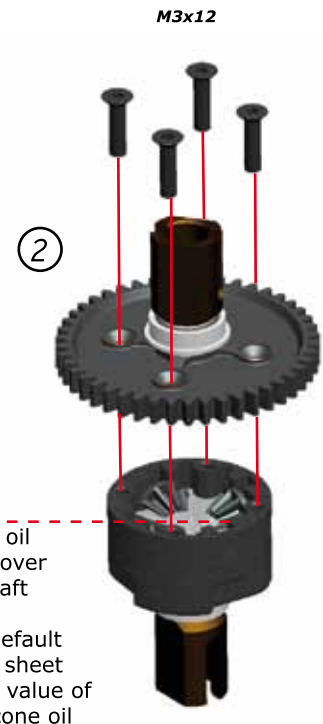
A

2



A

3



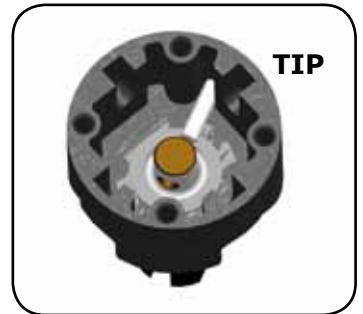
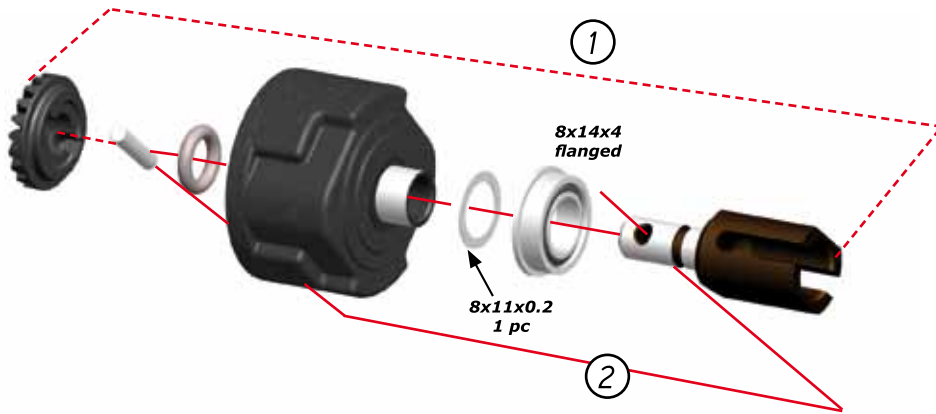
4

A

DIFFERENTIAL FRONT/REAR

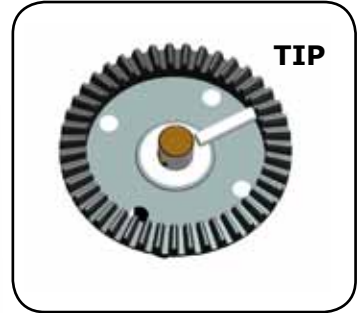
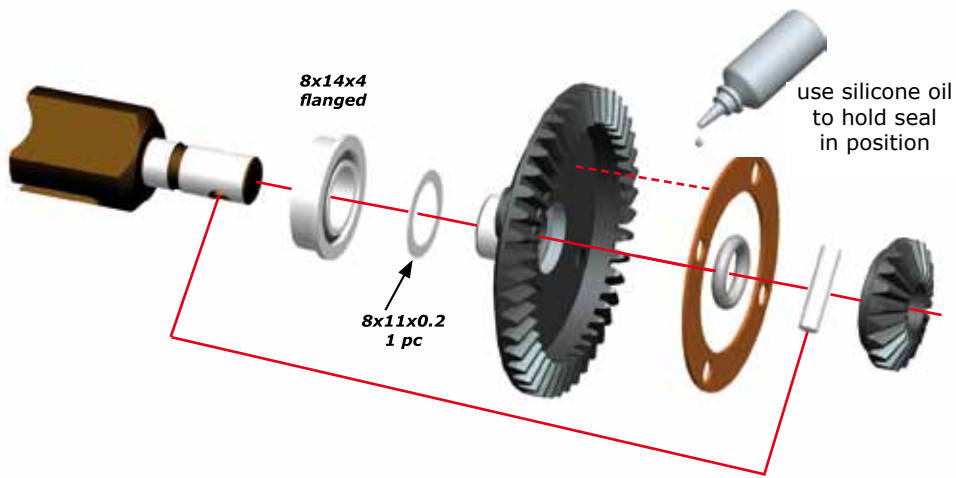
4

FR/RR
DIFF
BAG



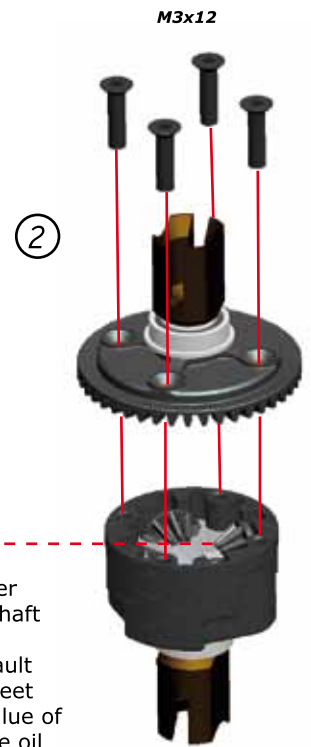
A

5



A

6

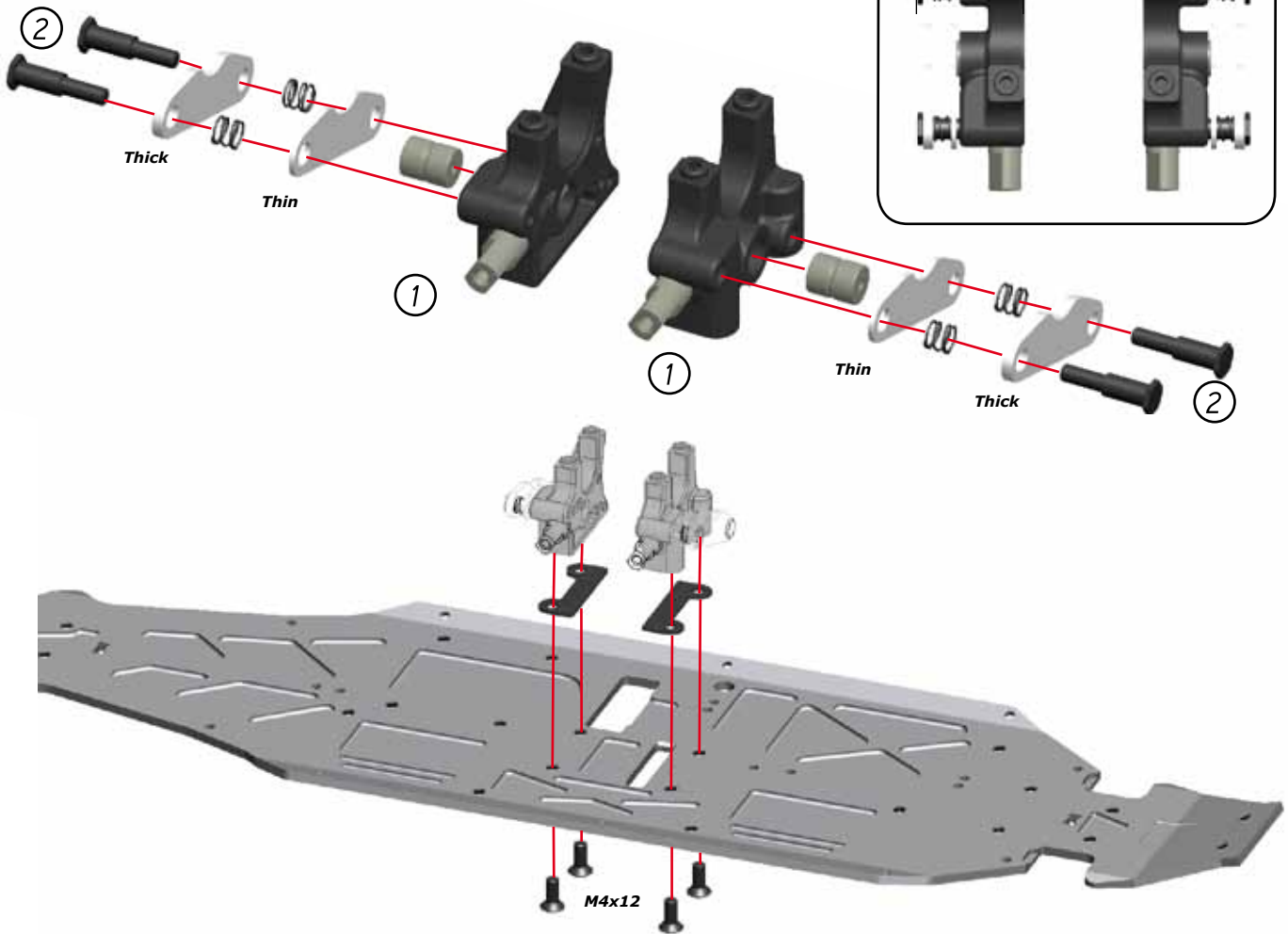


A

CENTER BRAKE ASSEMBLY

7

BAG
1

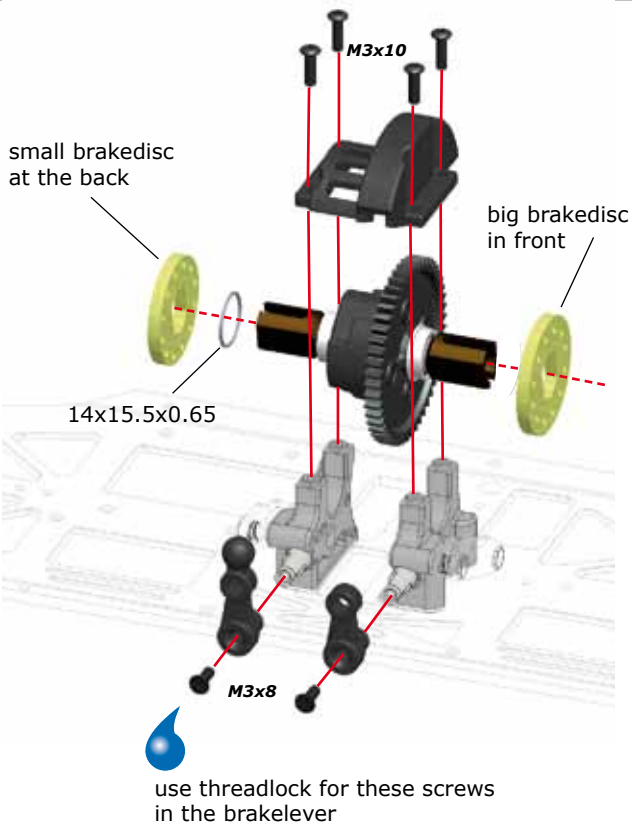


A

8

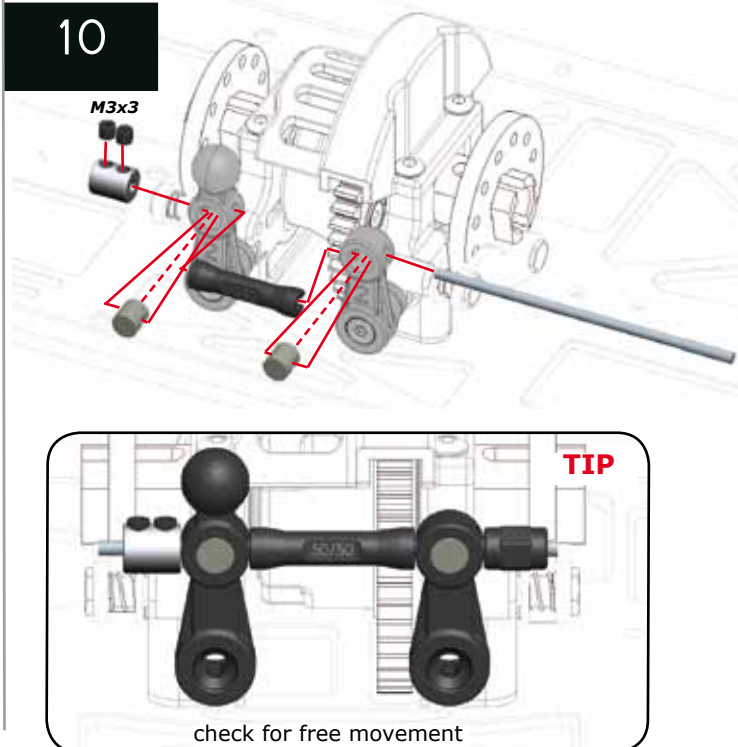
A

9



A

10



BIUTE

6

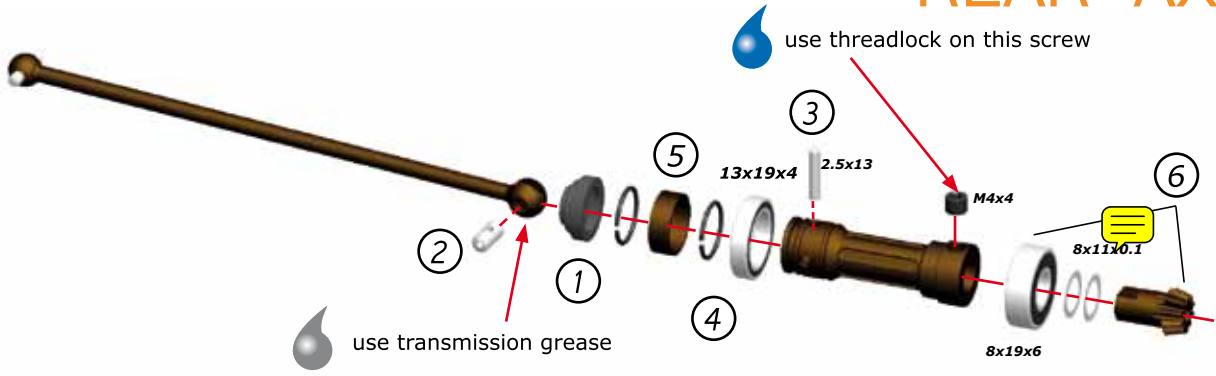
REAR AXLE

A

11

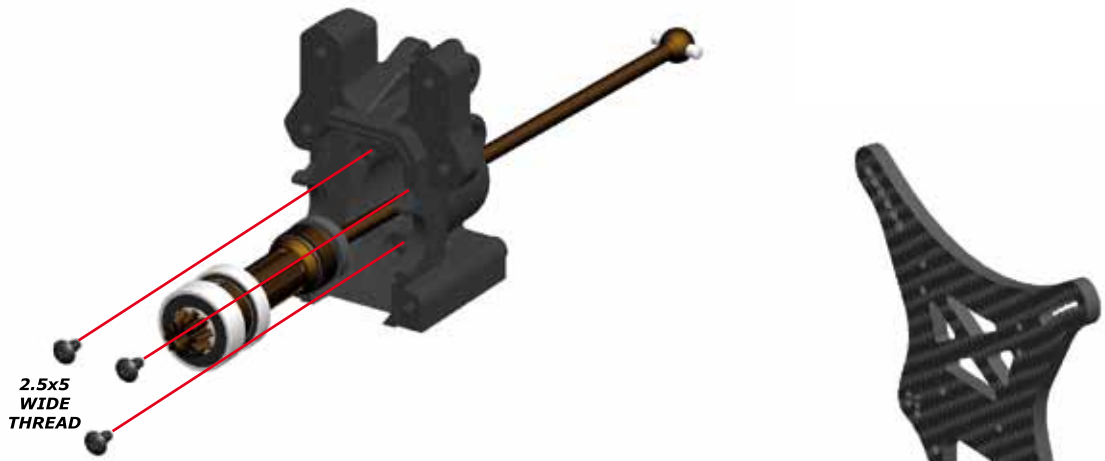
BAG

2



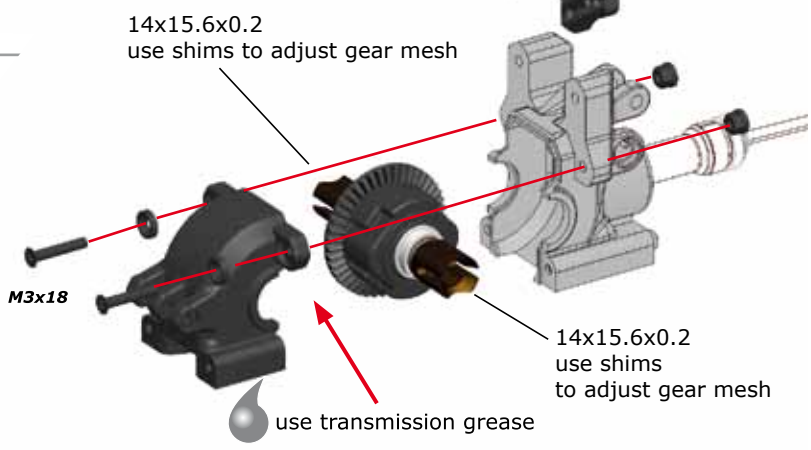
A

12



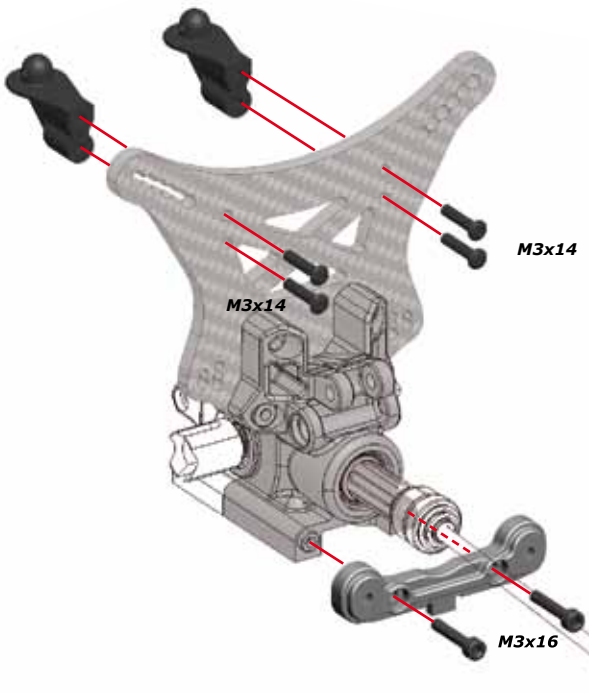
A

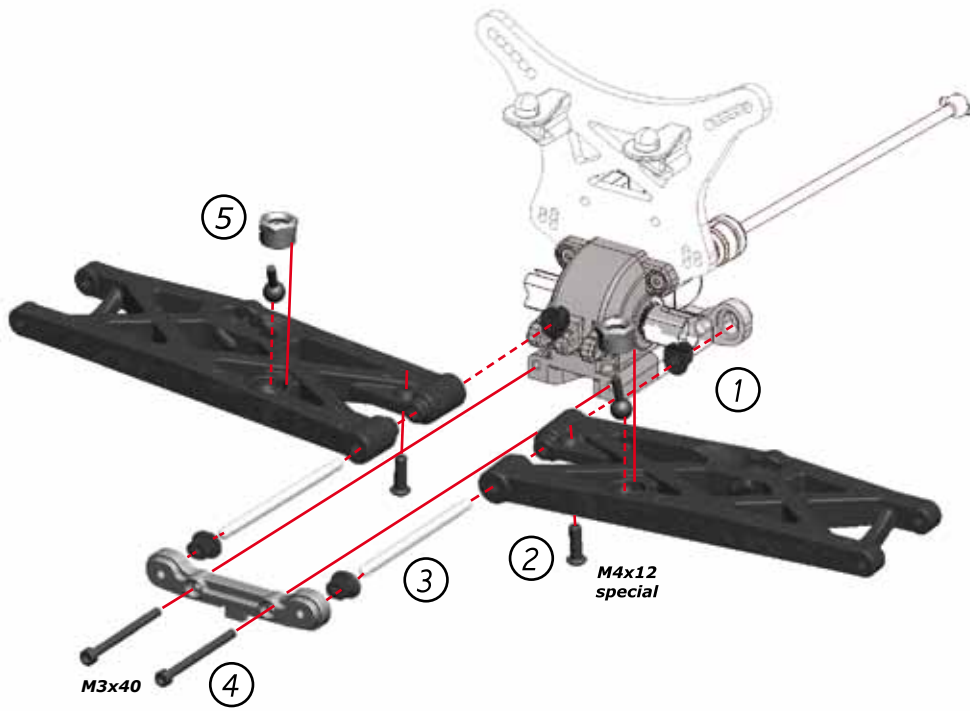
13



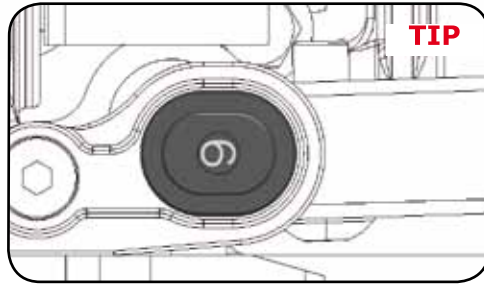
A

14

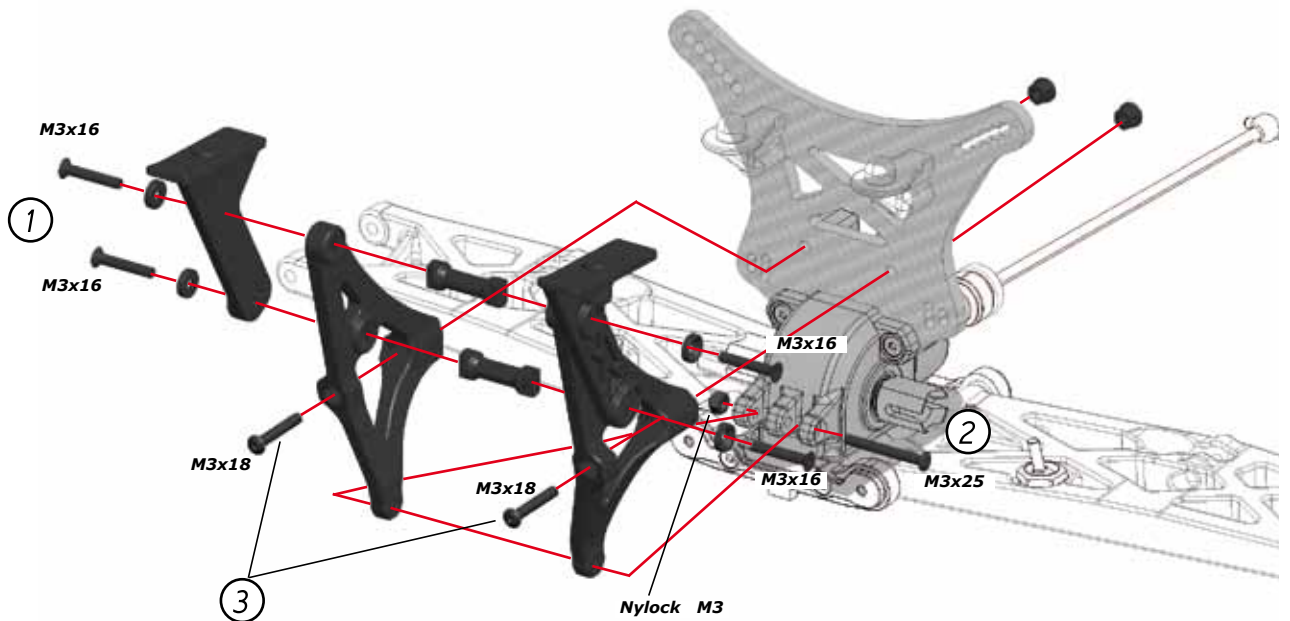
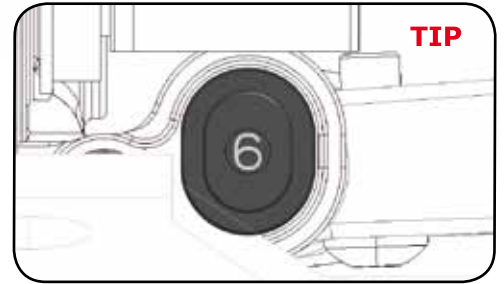




proper insert orientation in the rear bracket, left and right equal type

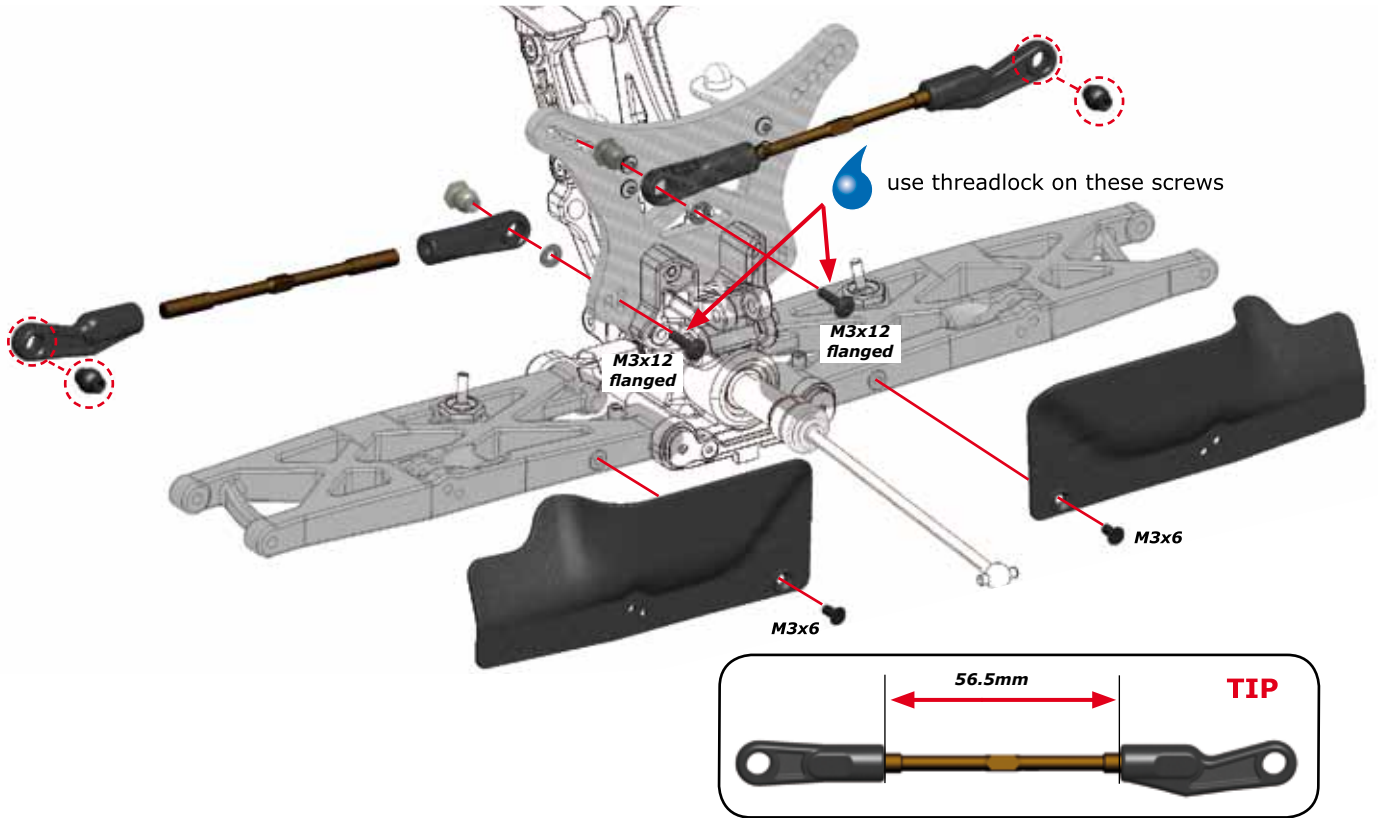


proper insert orientation in the front bracket, left and right equal type



A

17

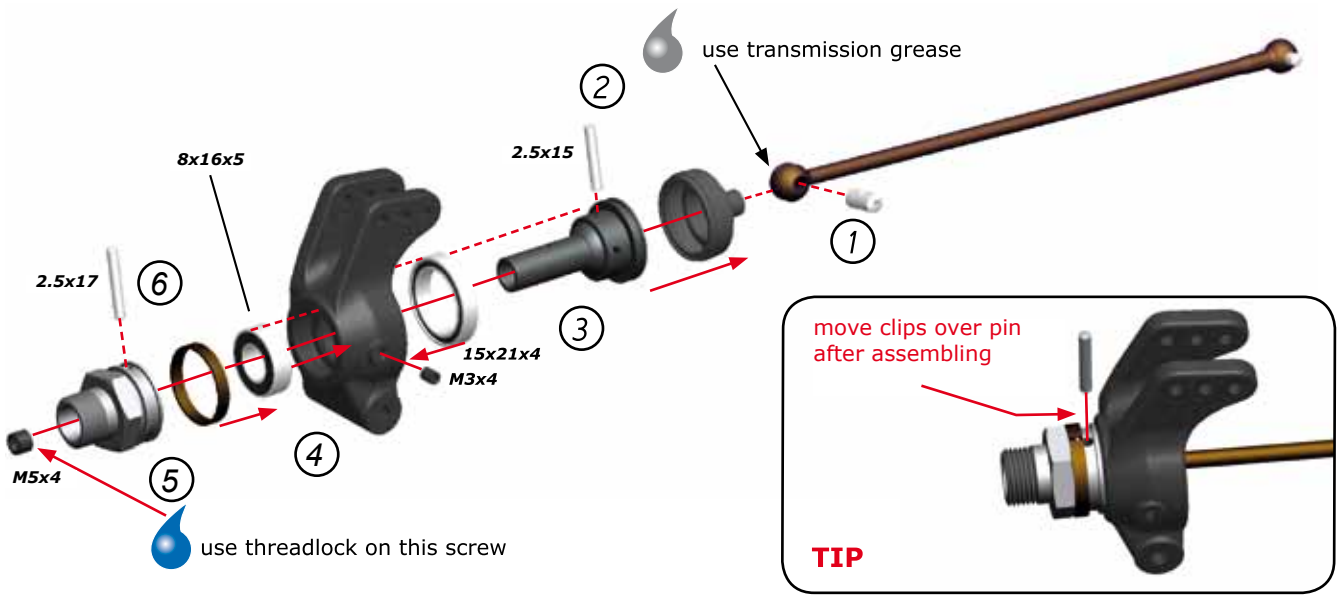


A

18A

BAG

4

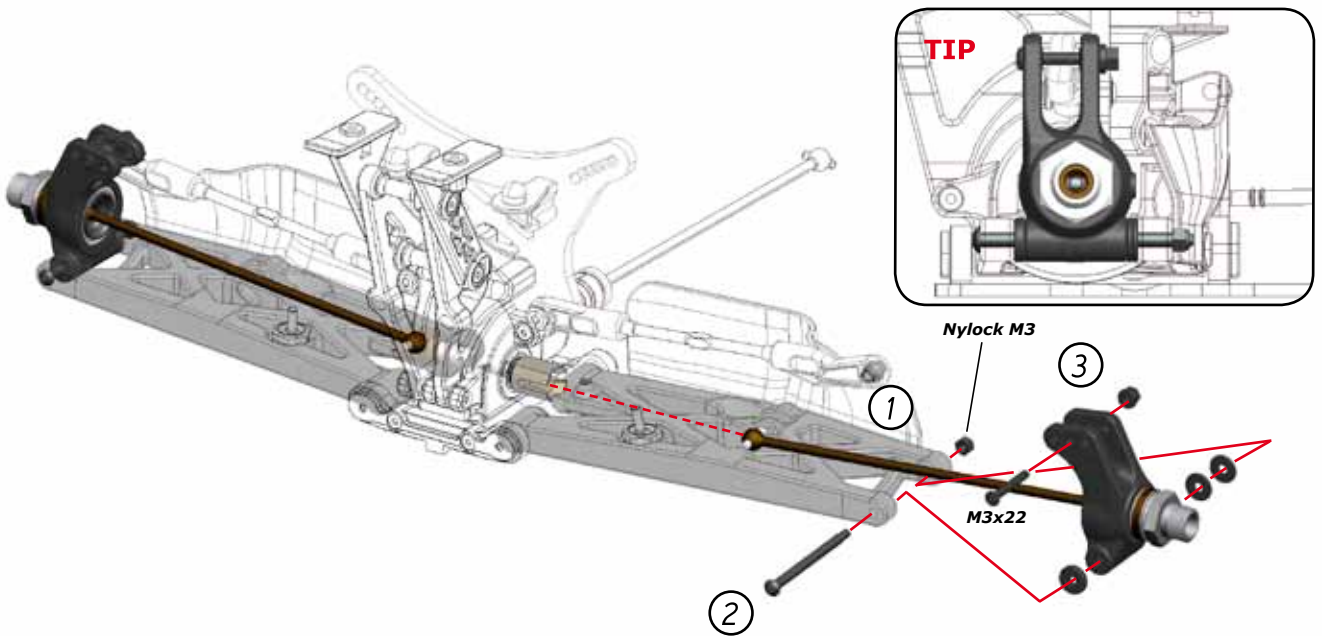


A

18B

BLITZ

9

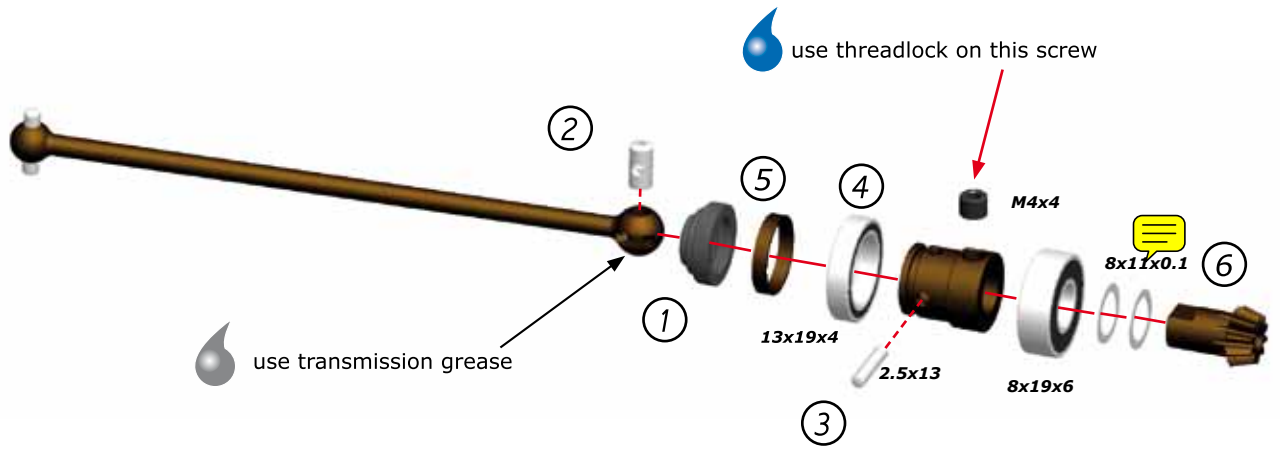


A

22

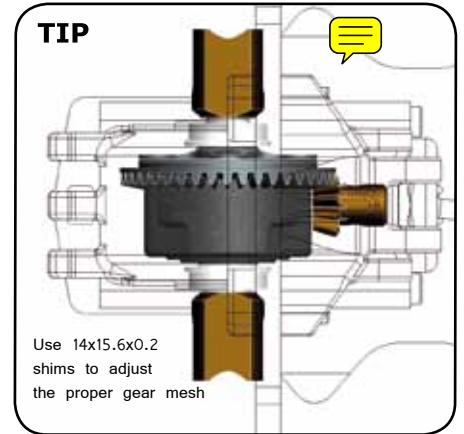
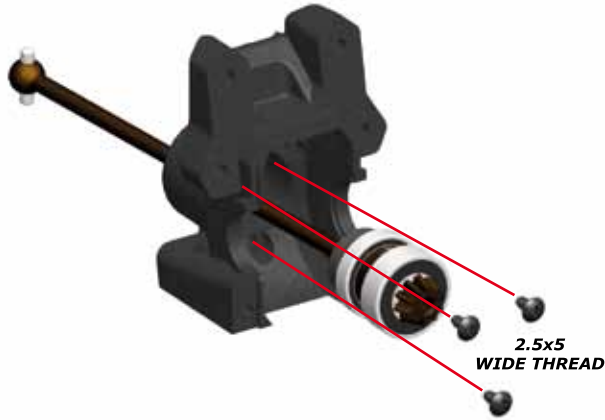
BAG

5



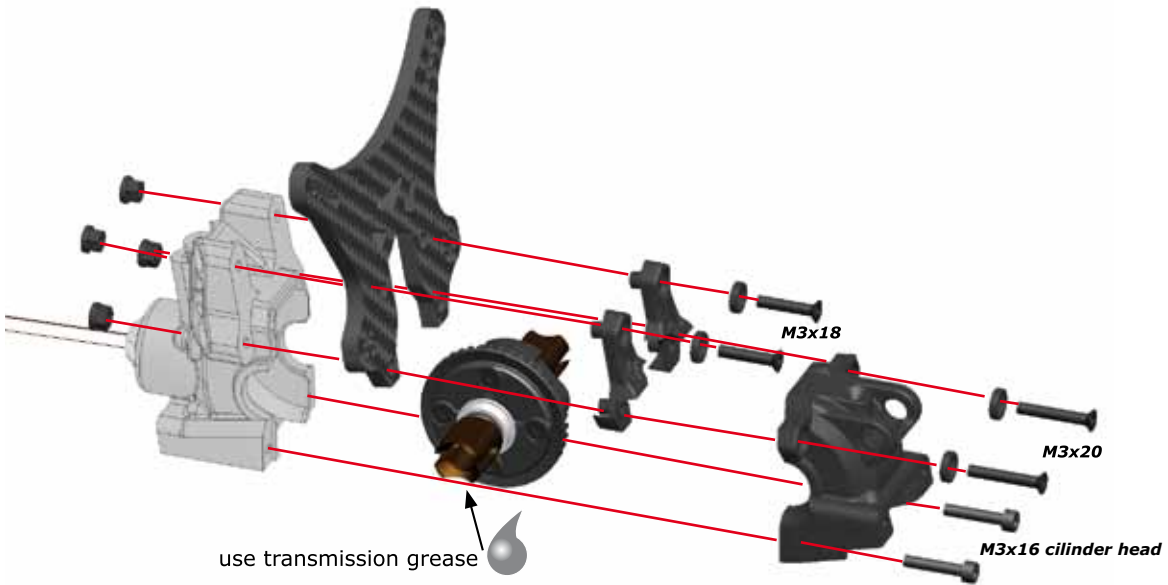
A

23



A

24

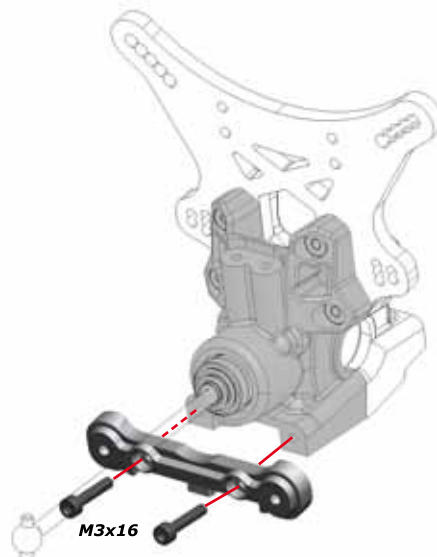


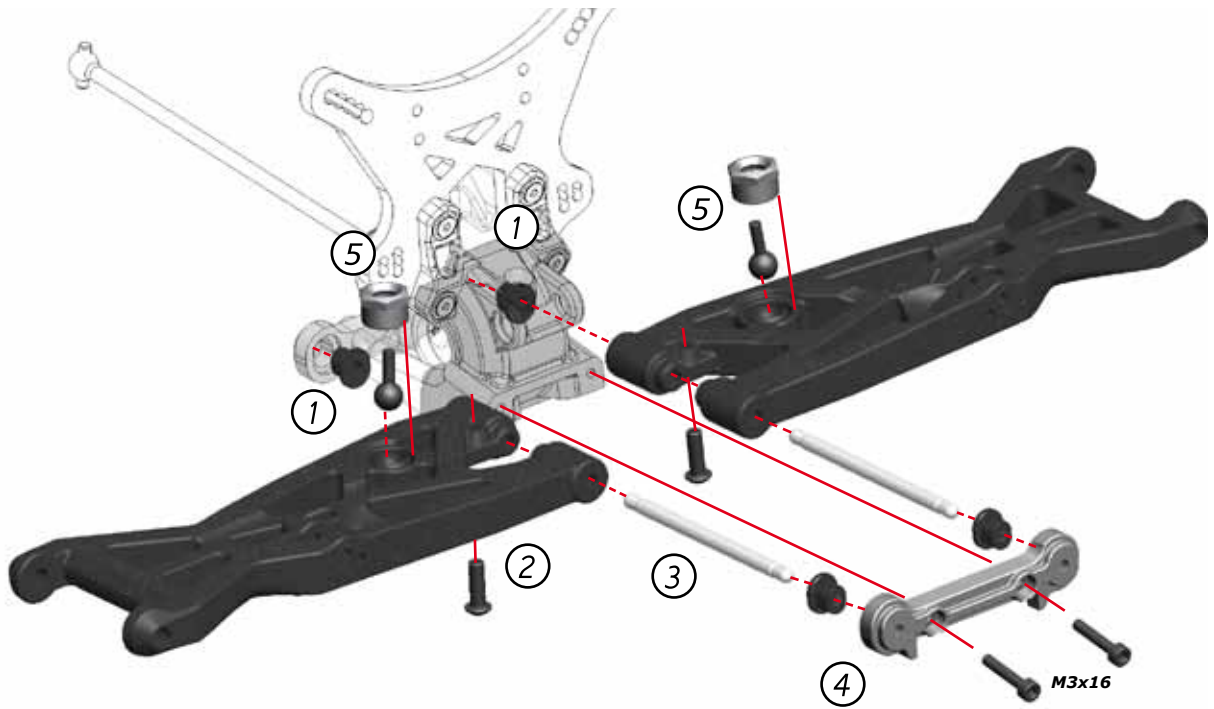
A

25

BLITZ

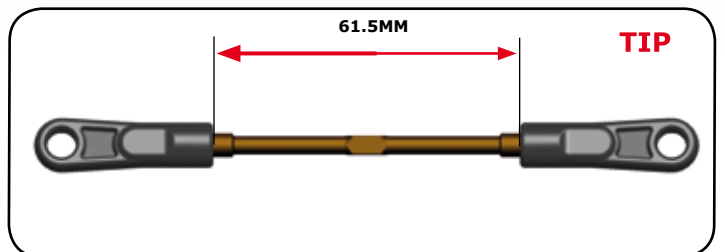
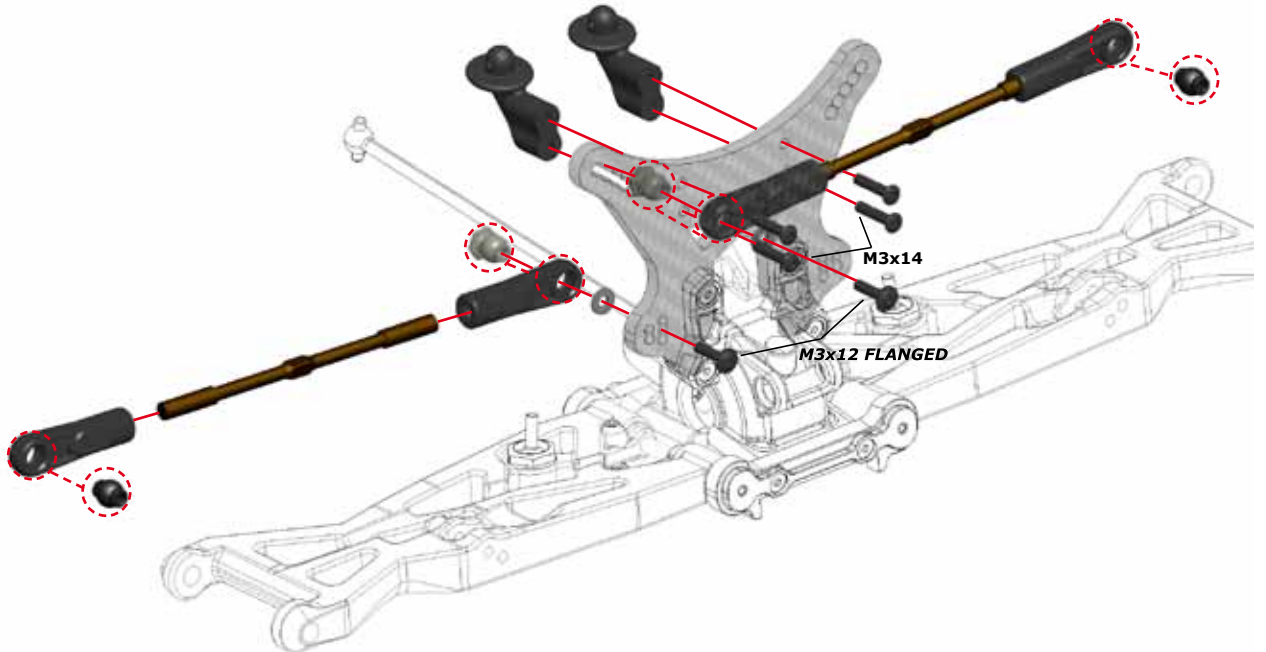
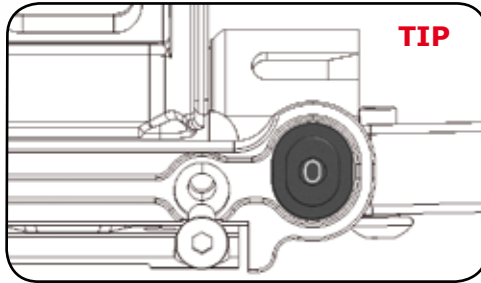
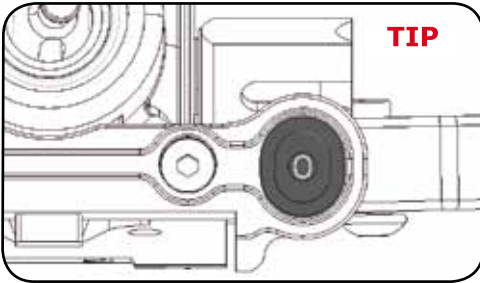
11

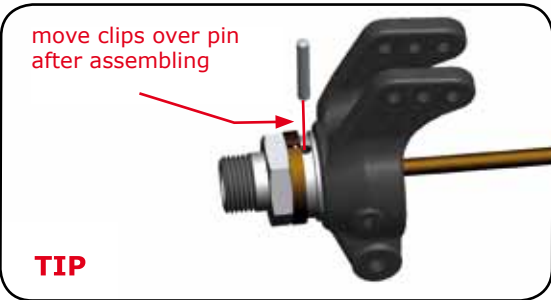
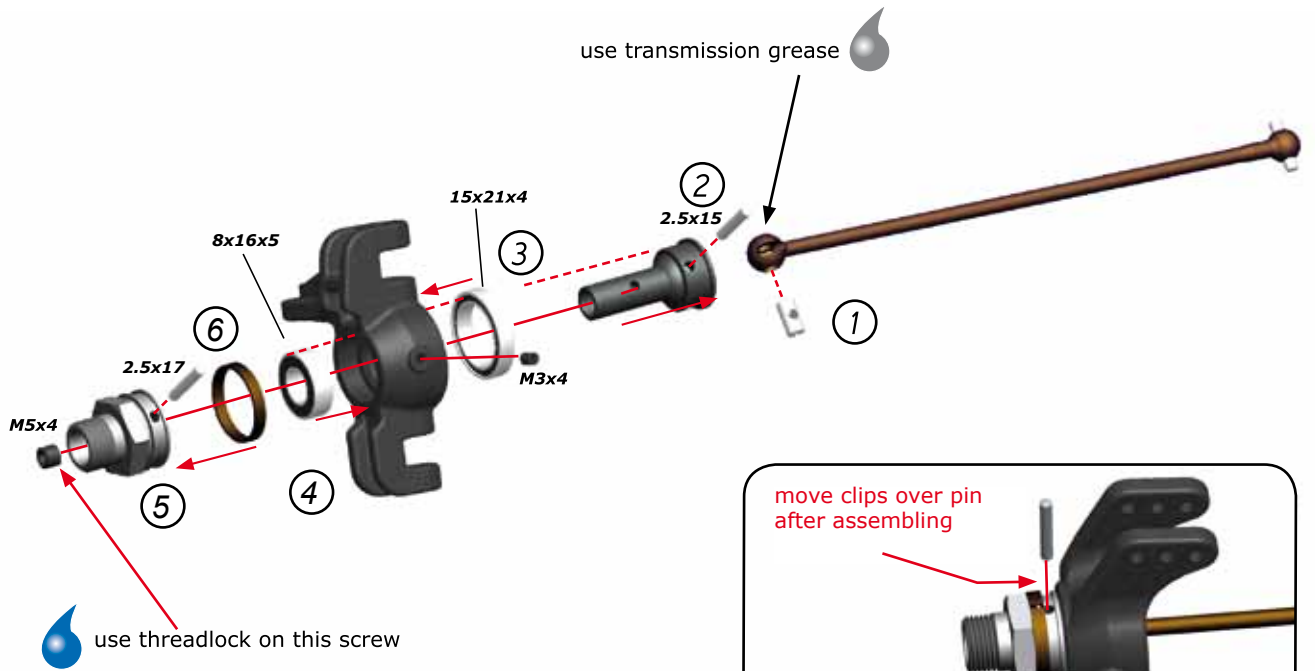




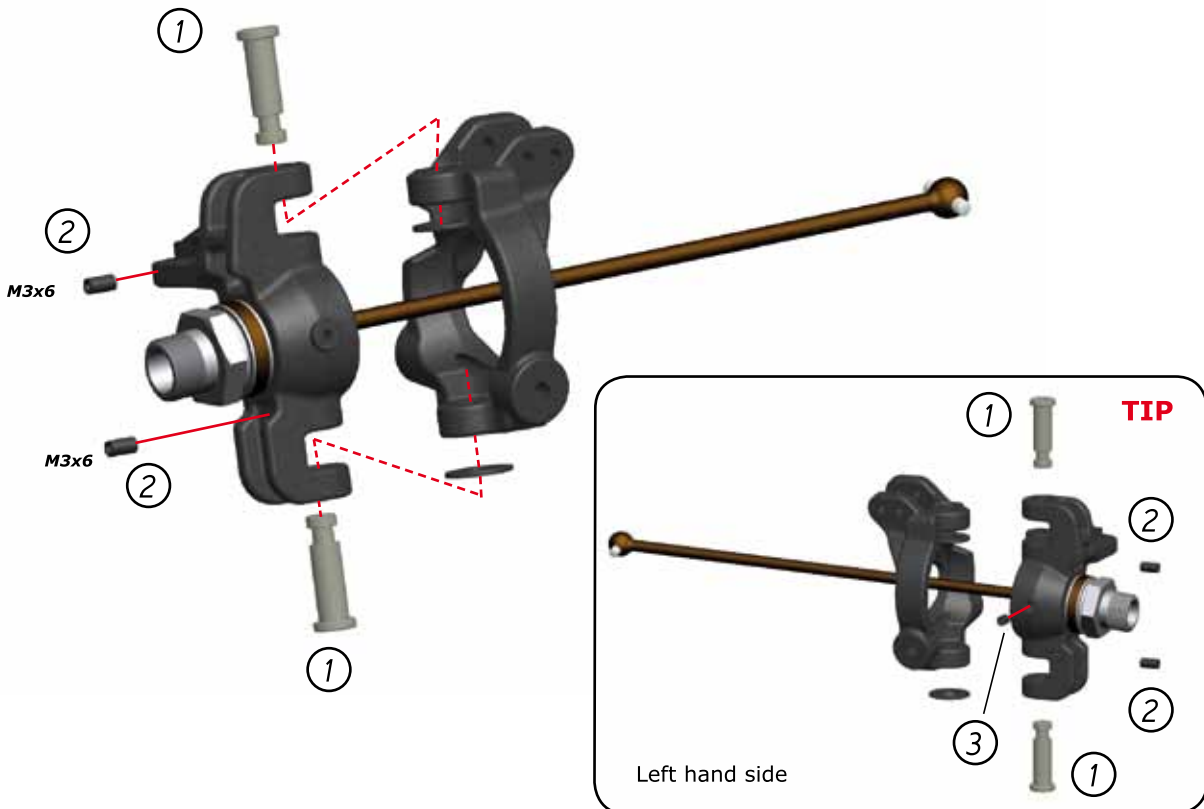
proper insert orientation
in the rear bracket

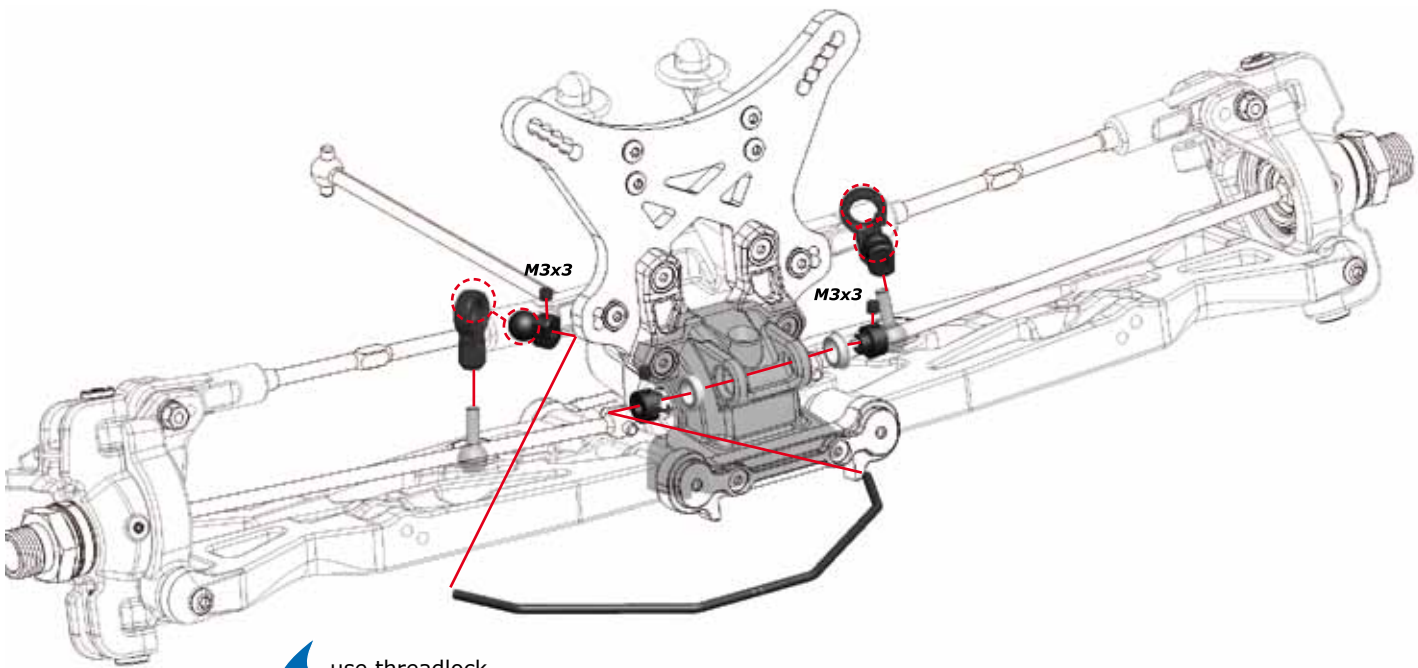
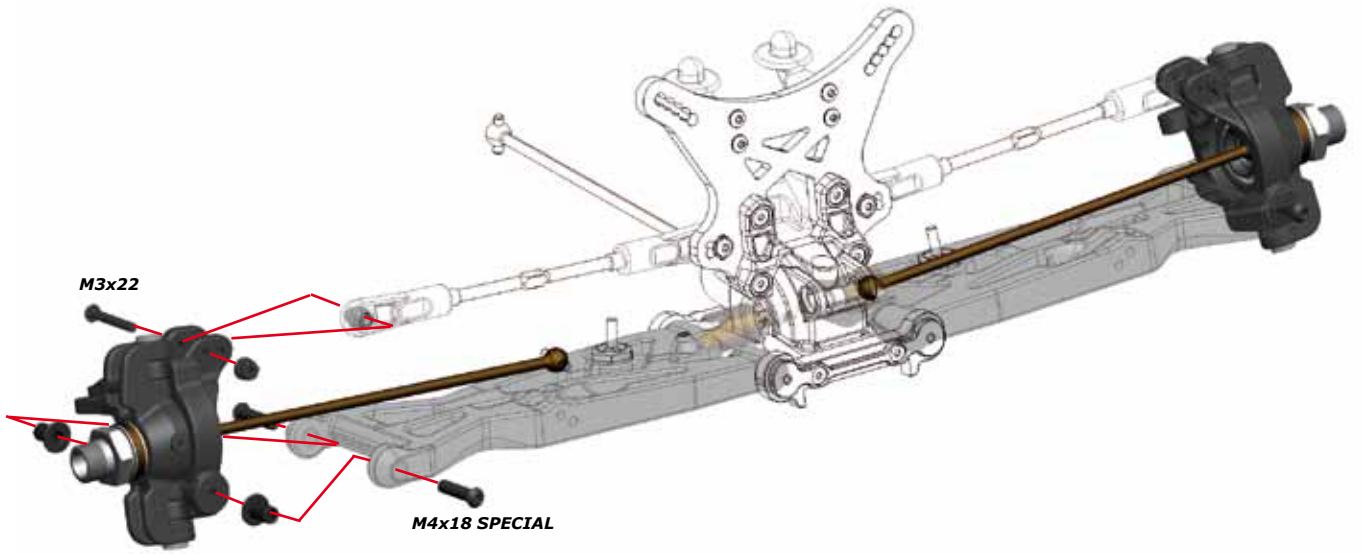
proper insert orientation
in the front bracket




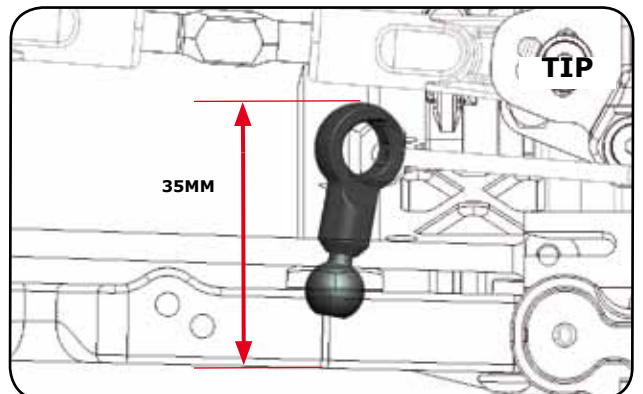
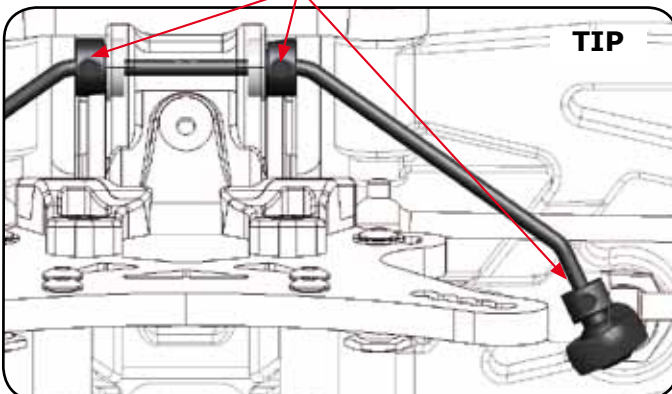


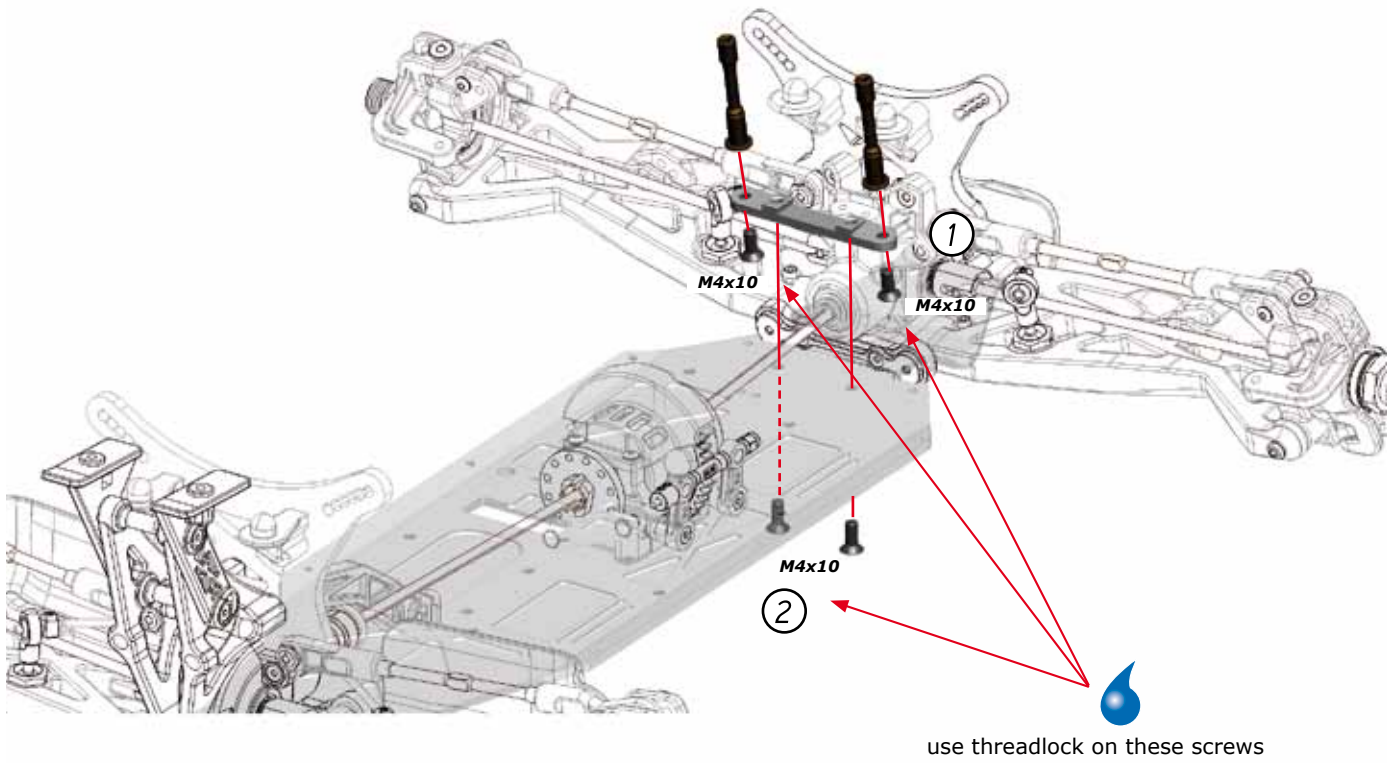
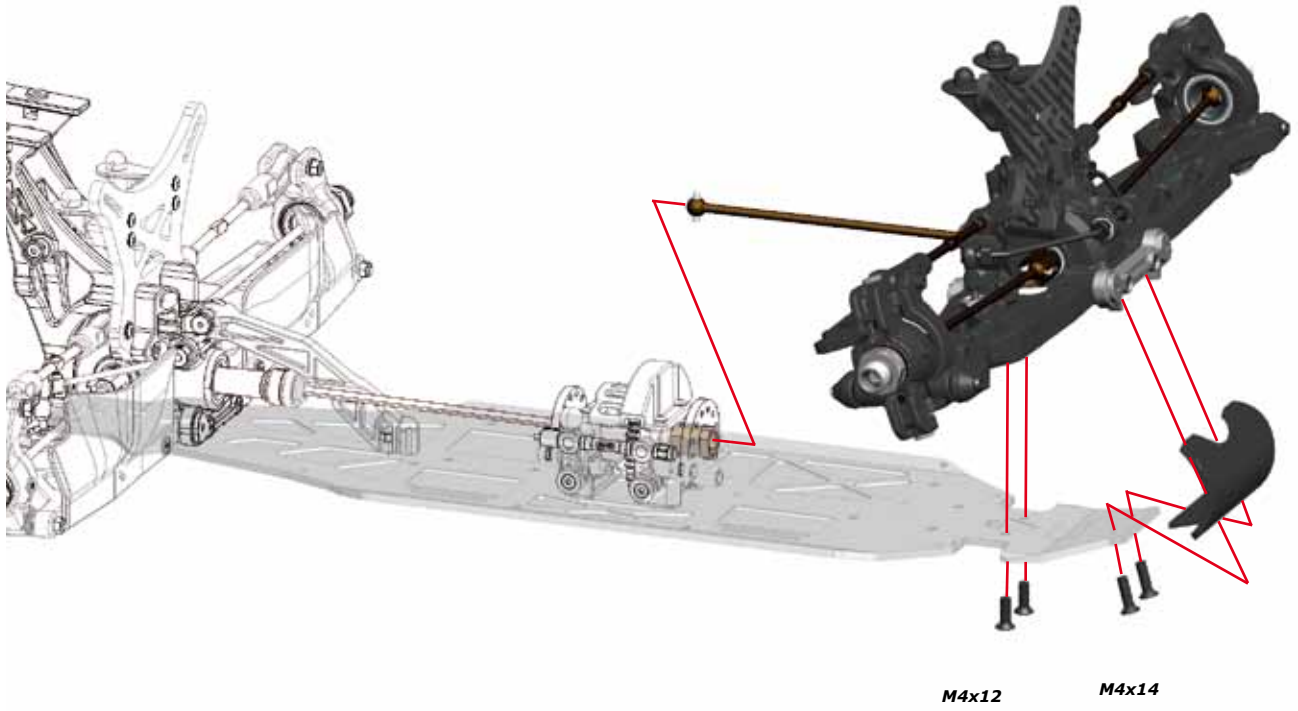
NOTE:
C-hubs show L or R indication





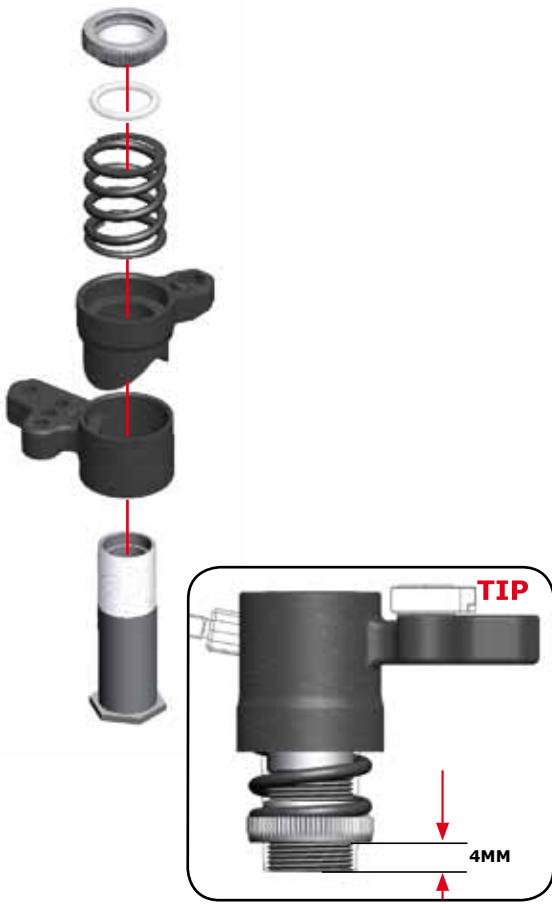
 use threadlock on these screws





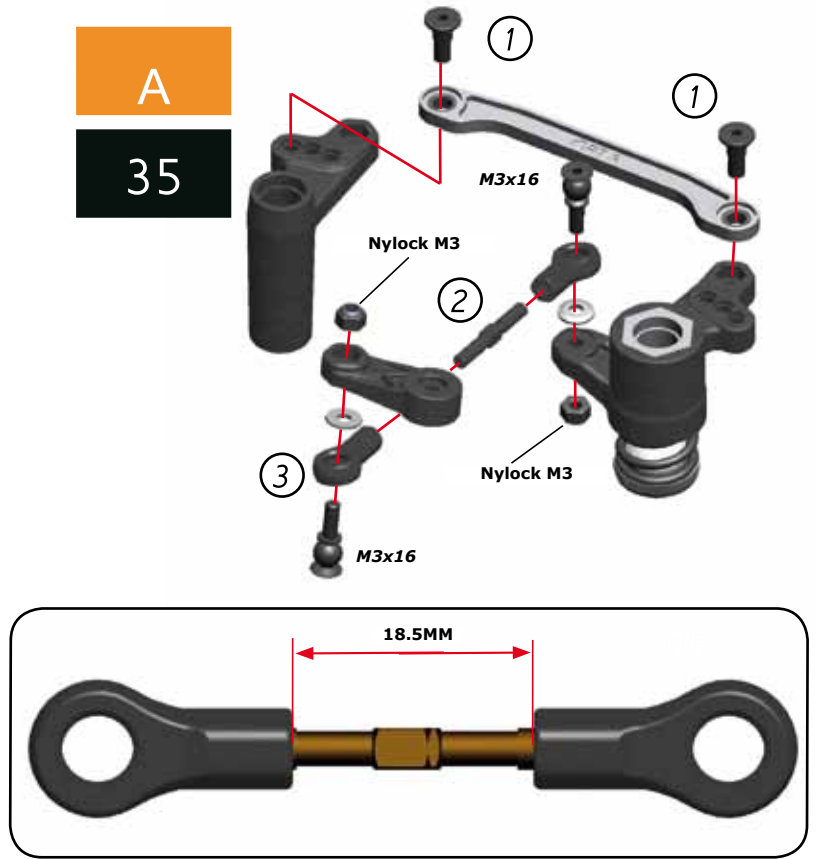
A

34



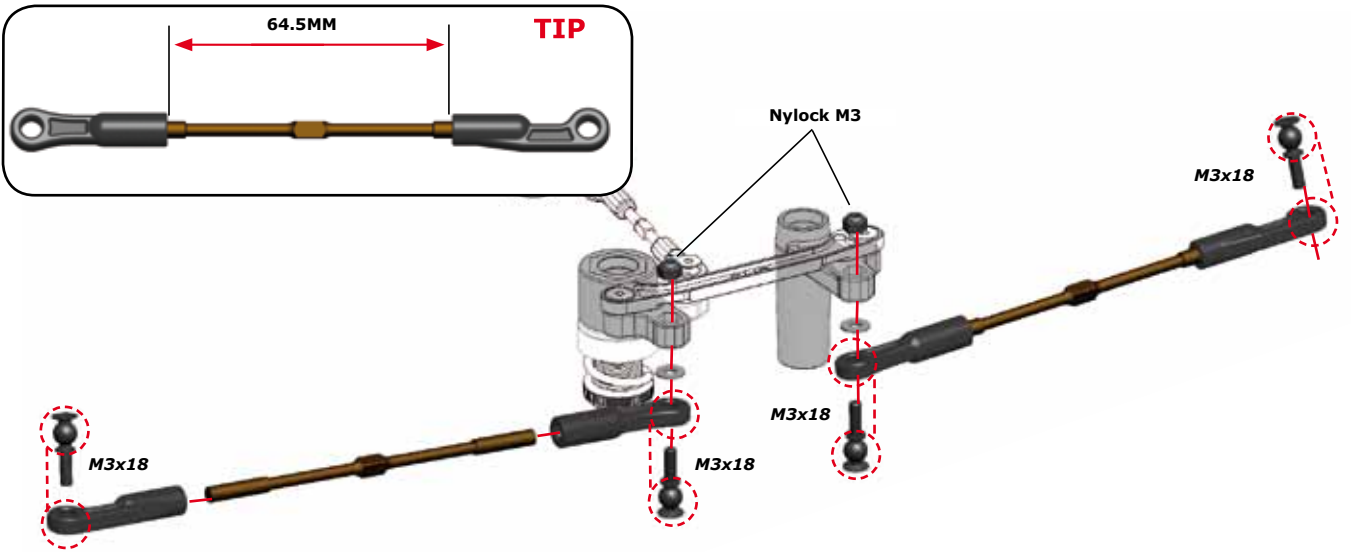
A

35



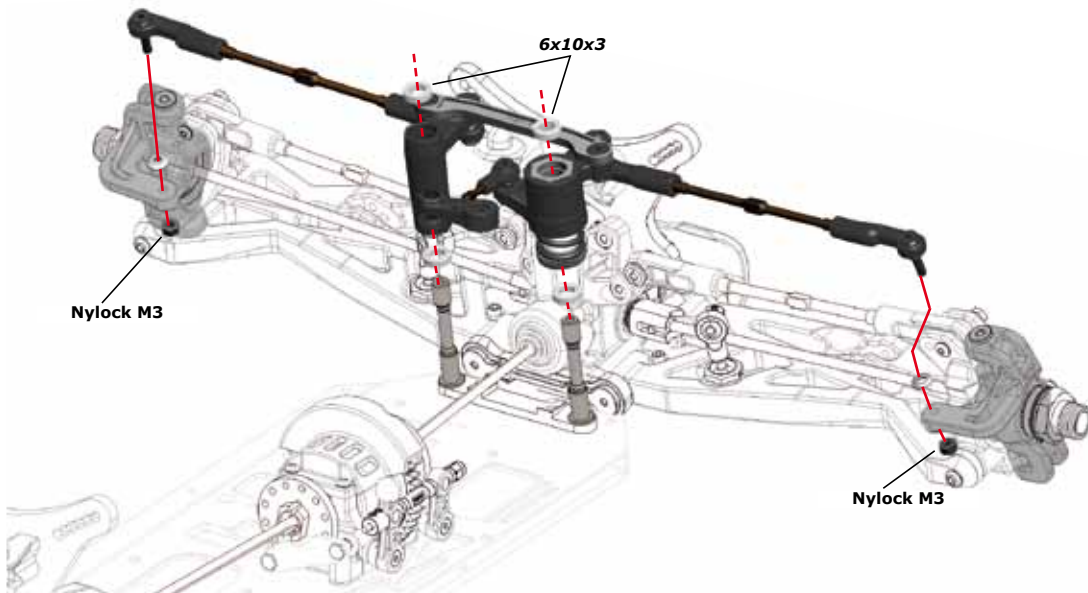
A

36



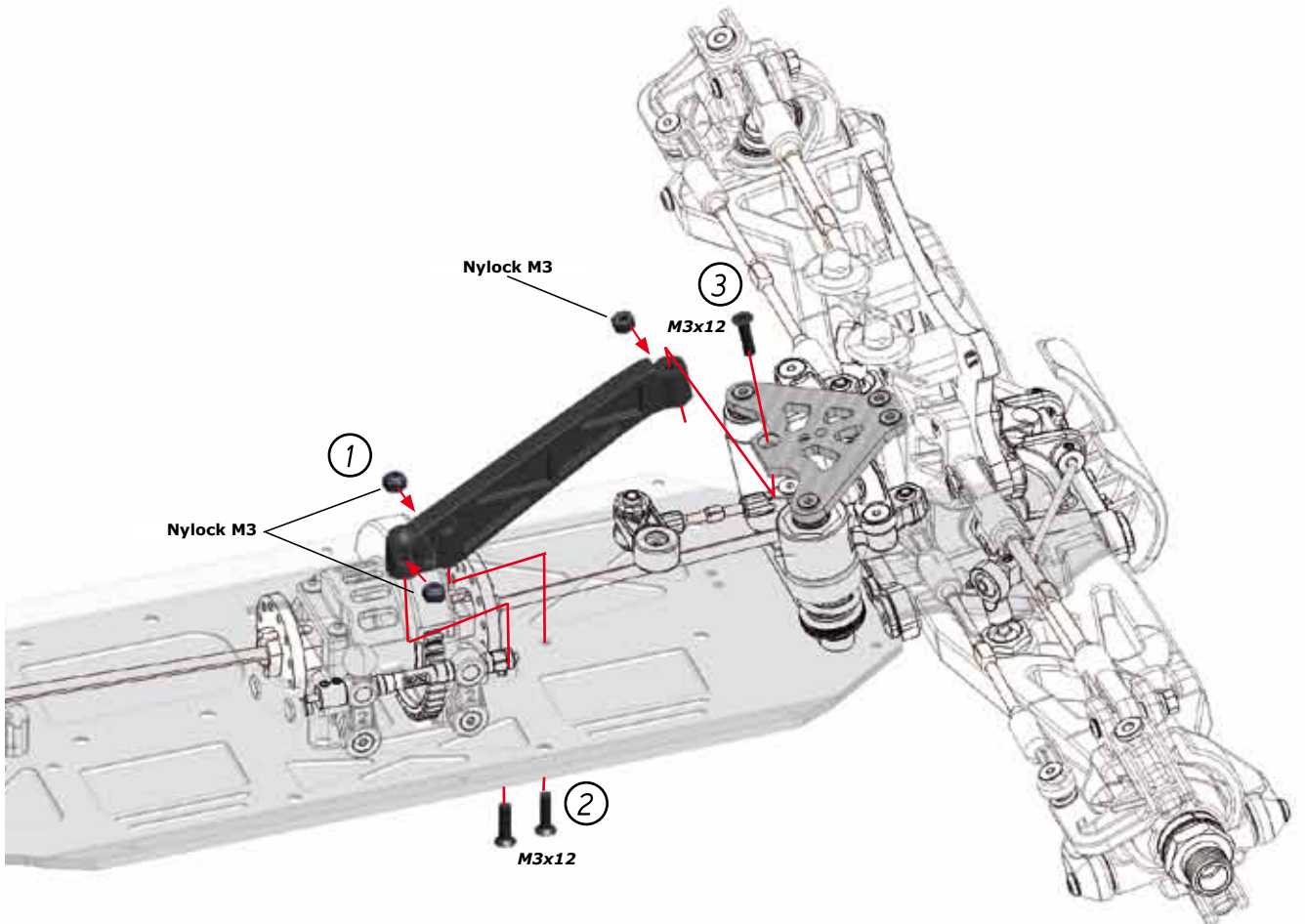
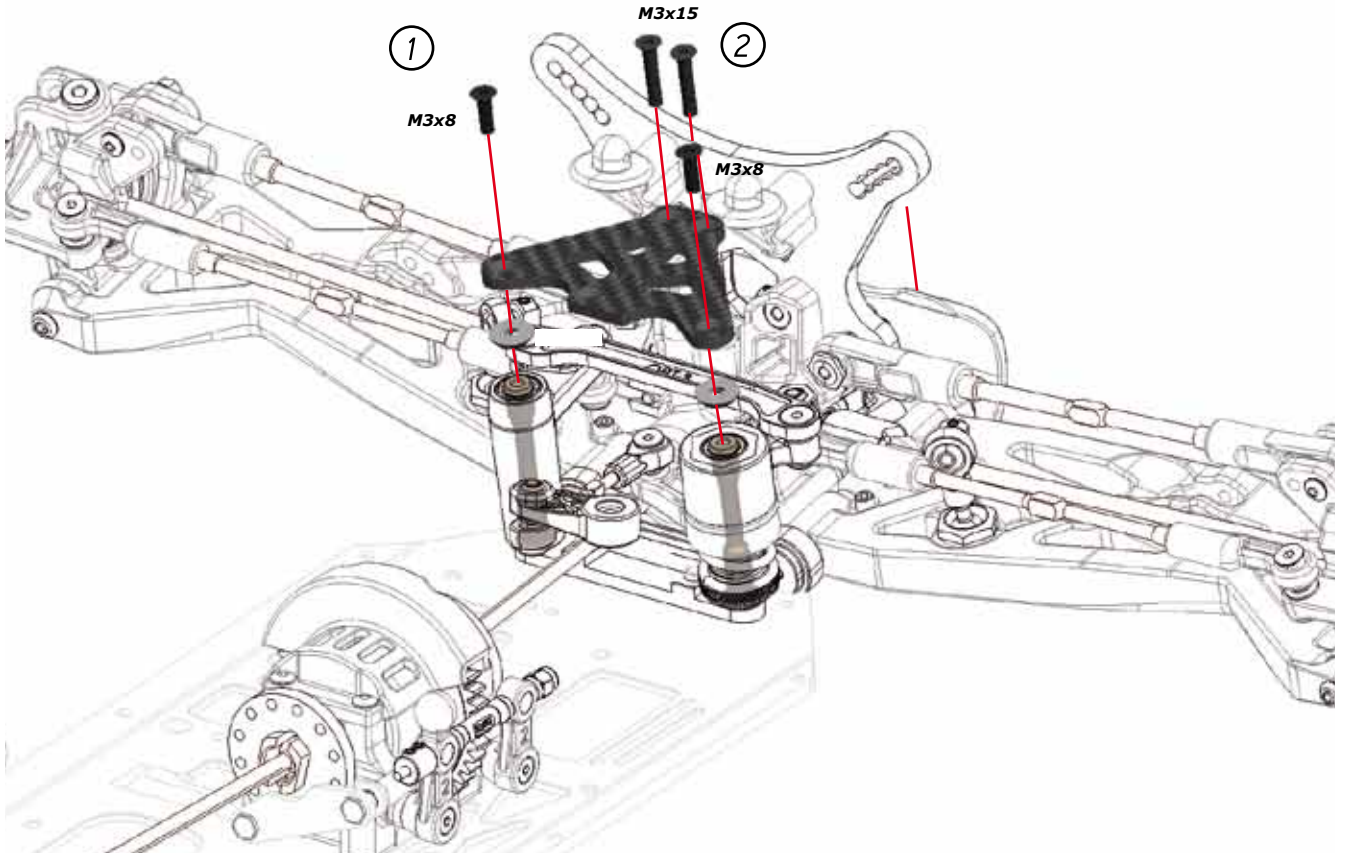
A

37



BLITZ

16



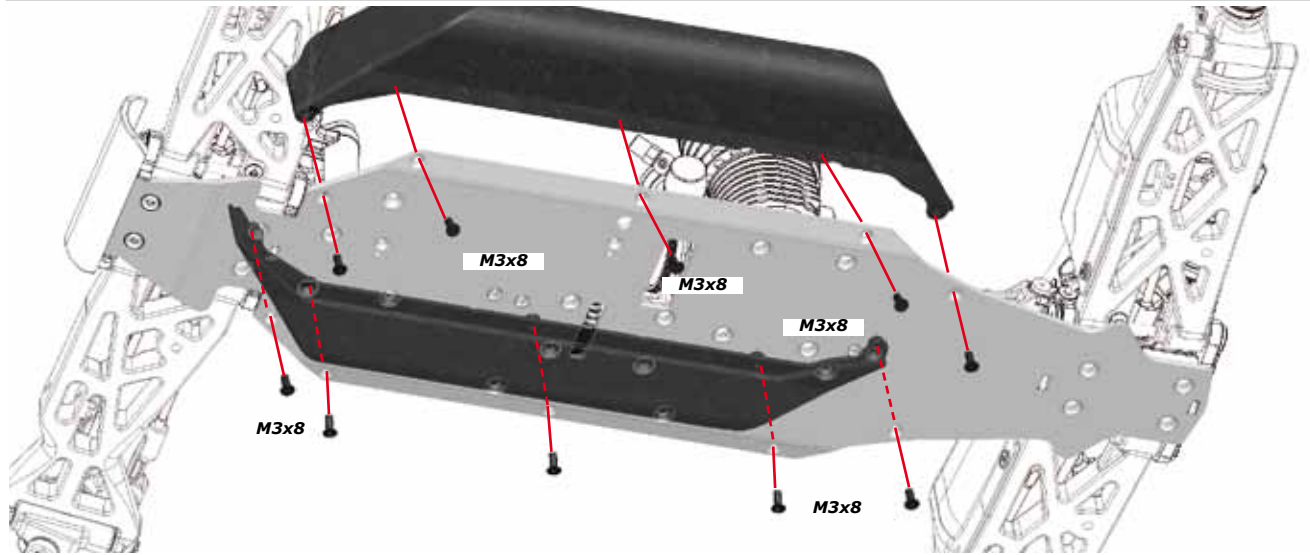
SIDE-GUARD / RADIO ASSEMBLY

C

1

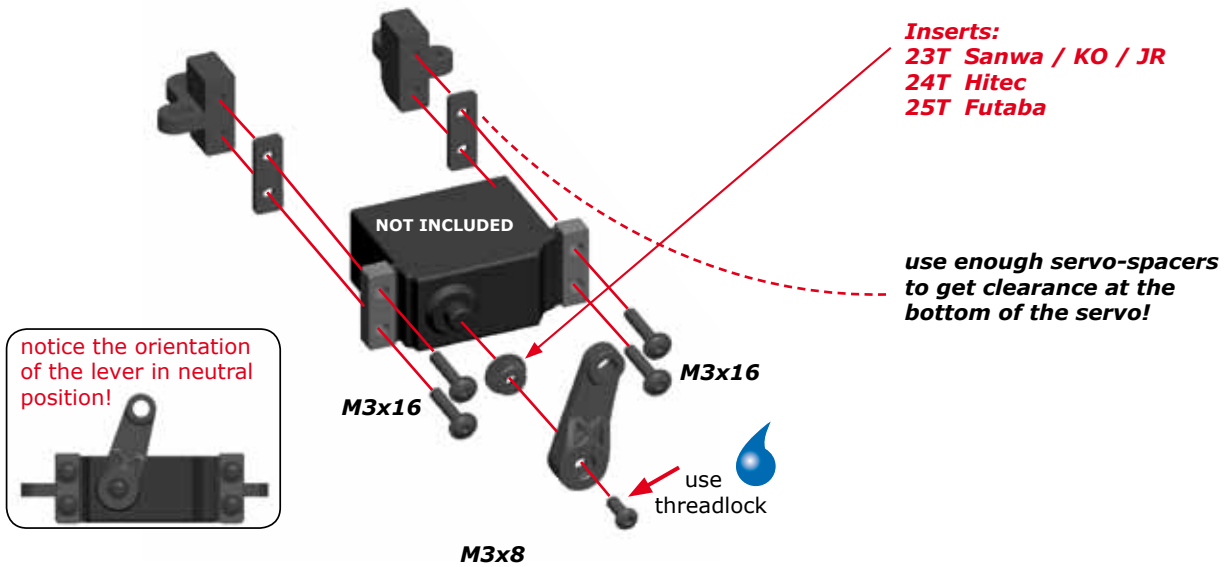
BAG

9



C

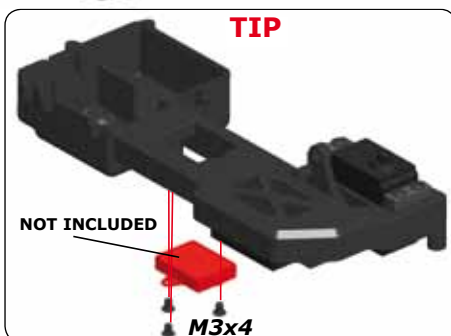
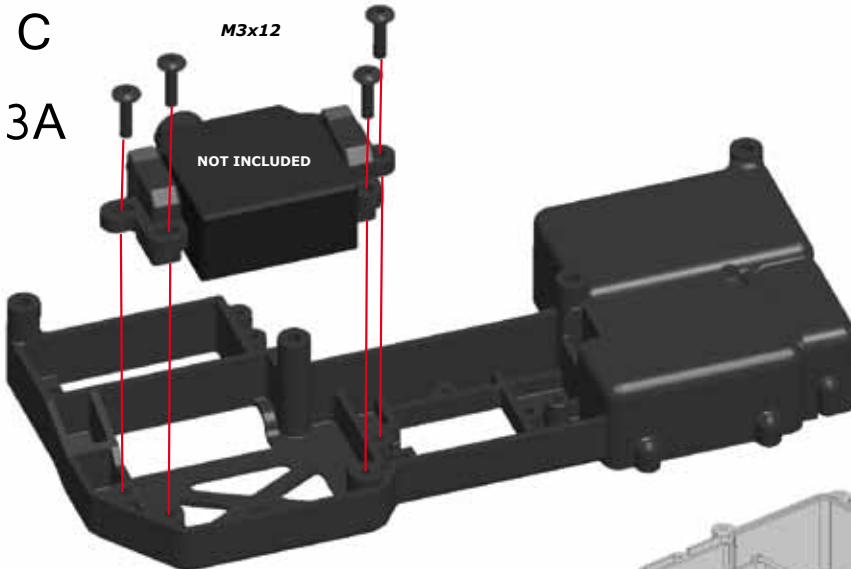
2



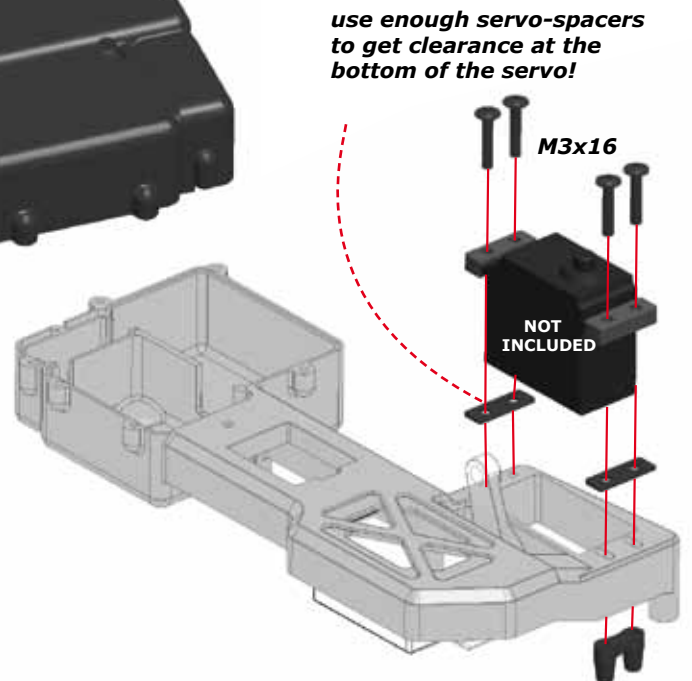
C

3

C
3A

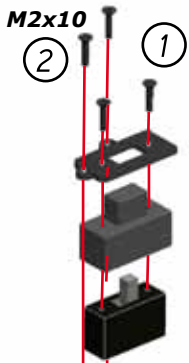


C
3B



C

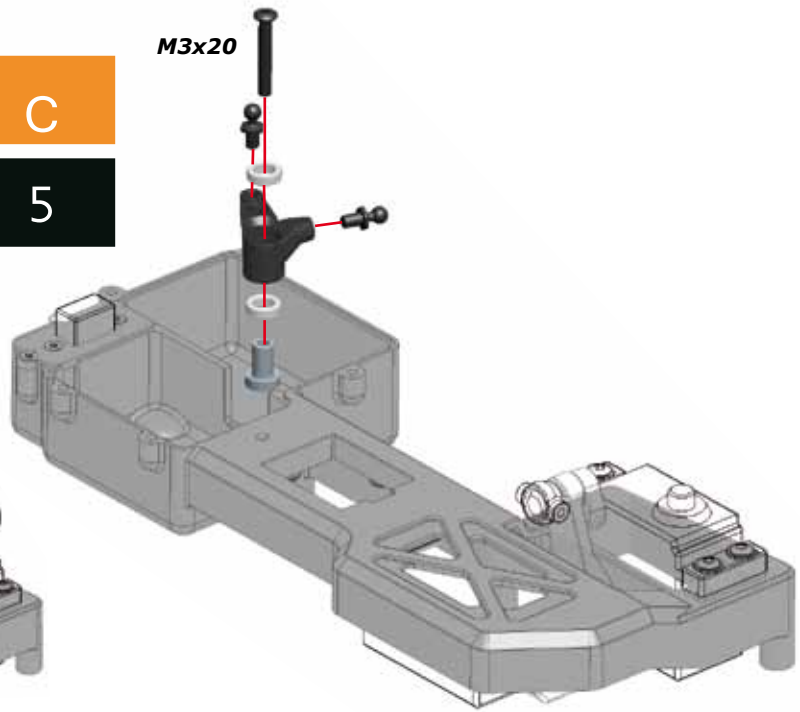
4



C

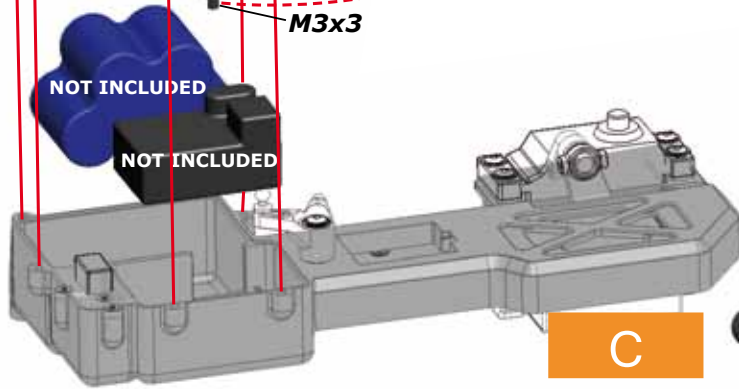
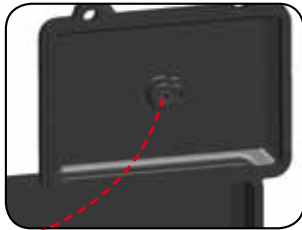
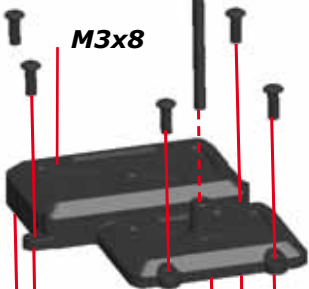
5

M3x20



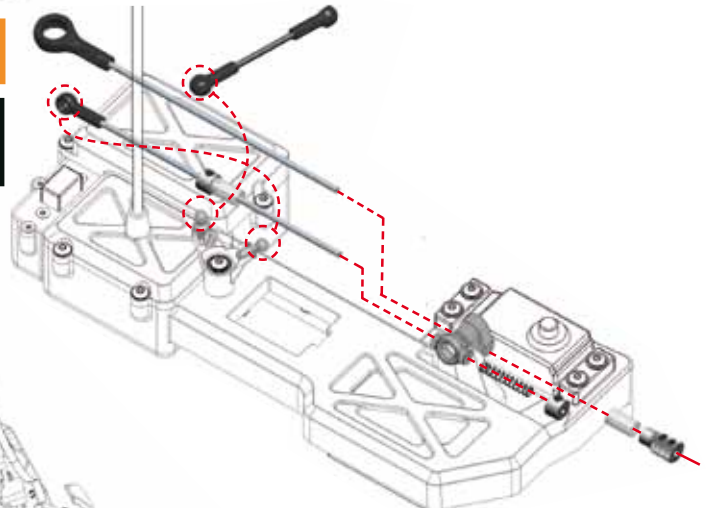
C

6



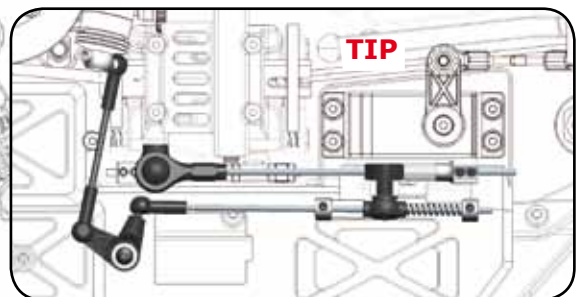
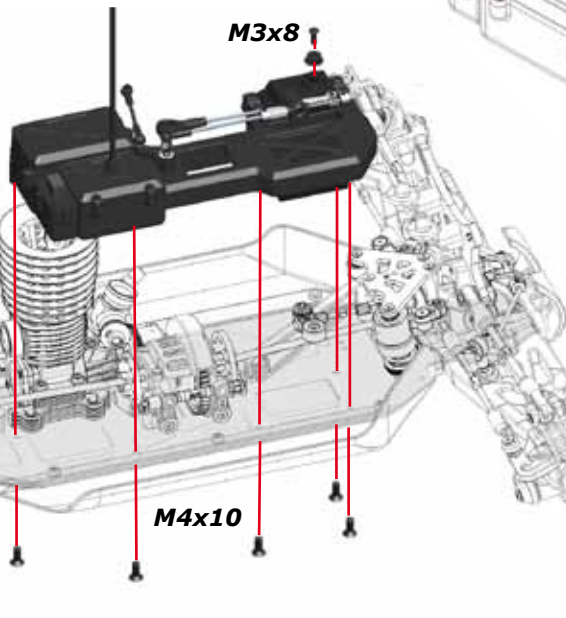
C

8



C

9



BOLT

20

FRONT/REAR SHOCK ASSEMBLY

D

1

BAG 10/11

D

2

D

3

D

4

D

5

D

6

D

7

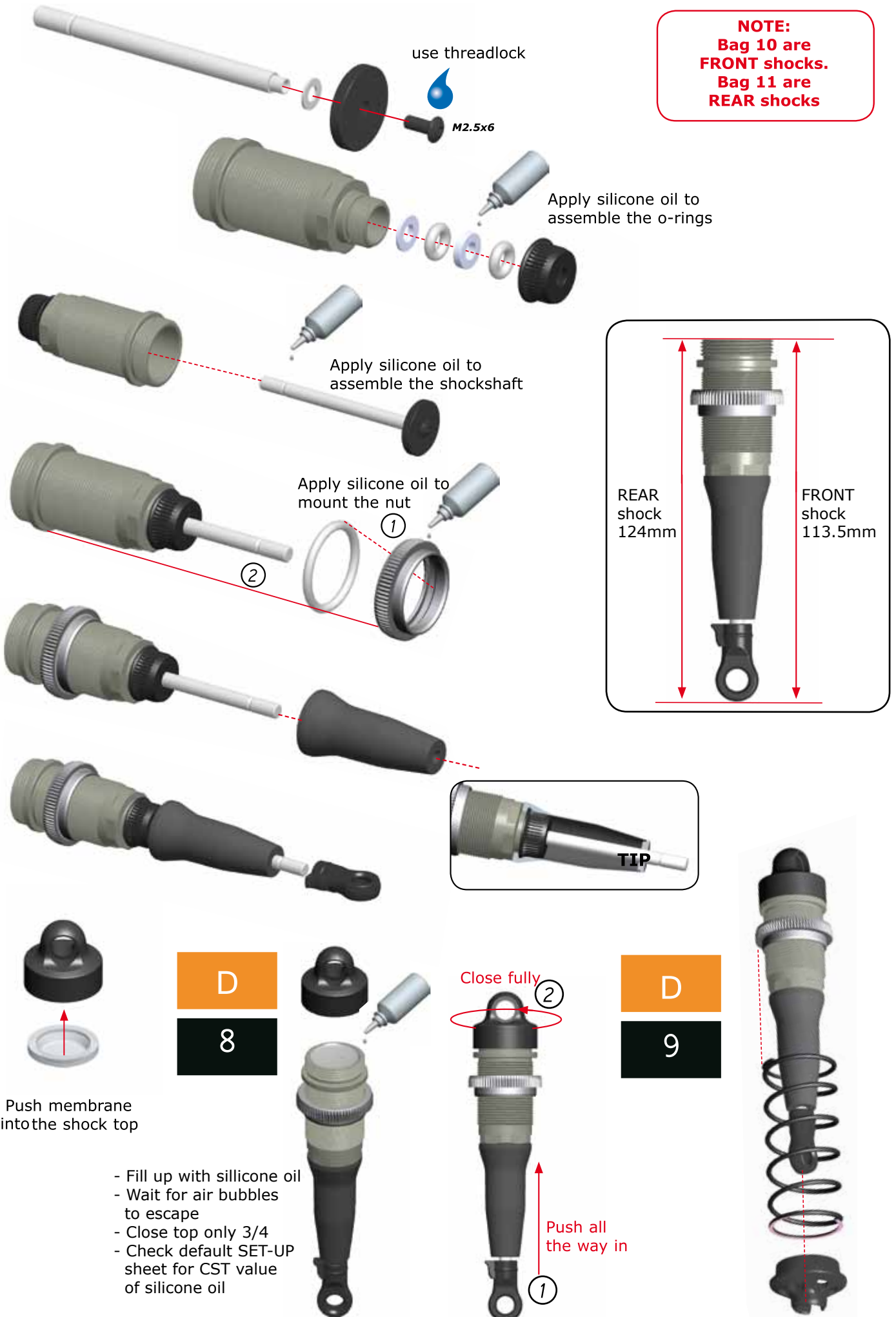
D

8

D

9

NOTE:
Bag 10 are FRONT shocks.
Bag 11 are REAR shocks



Push membrane into the shock top

- Fill up with silicone oil
- Wait for air bubbles to escape
- Close top only 3/4
- Check default SET-UP sheet for CST value of silicone oil

Push all the way in

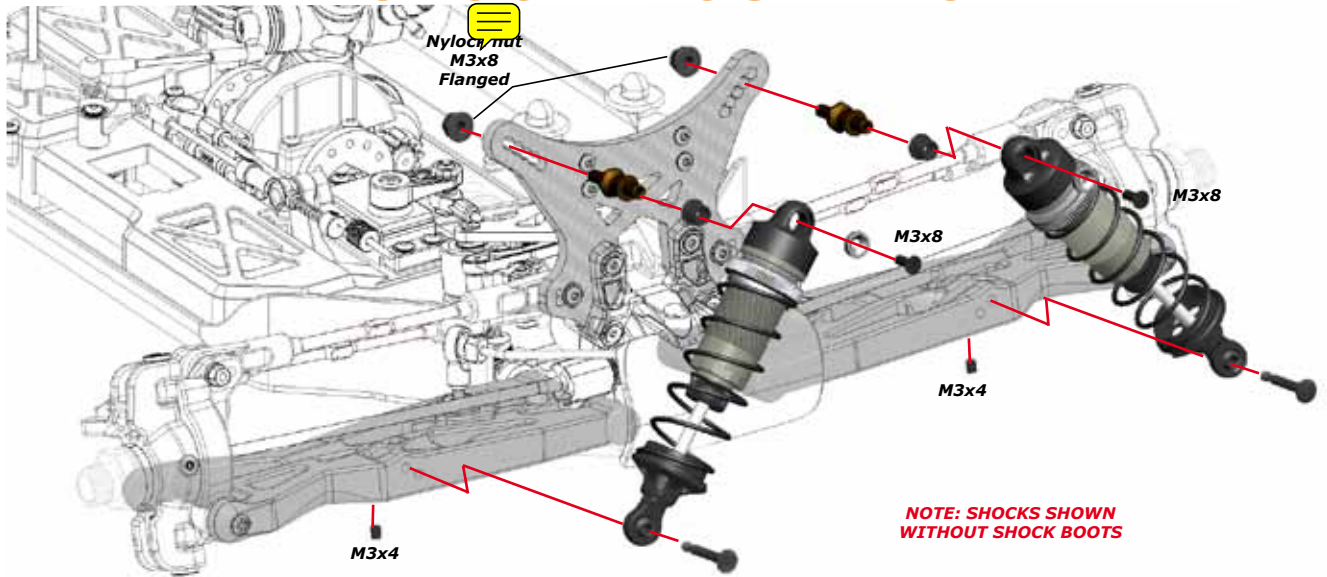
SHOCK MOUNTING

D

10

BAG

10

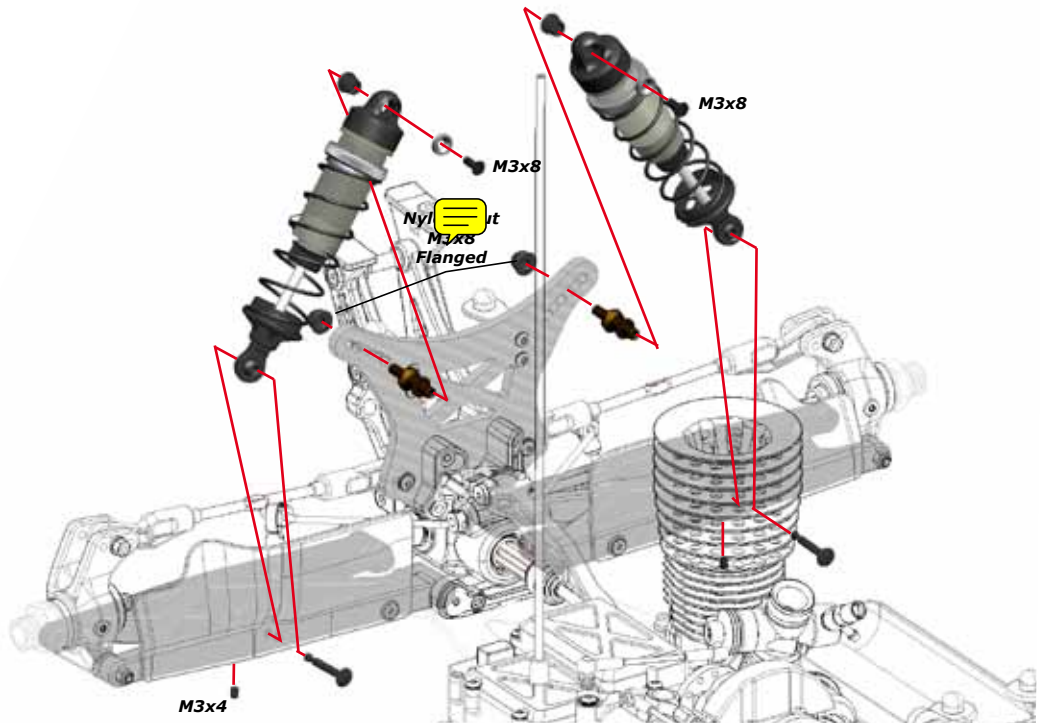


D

11

BAG

11



D

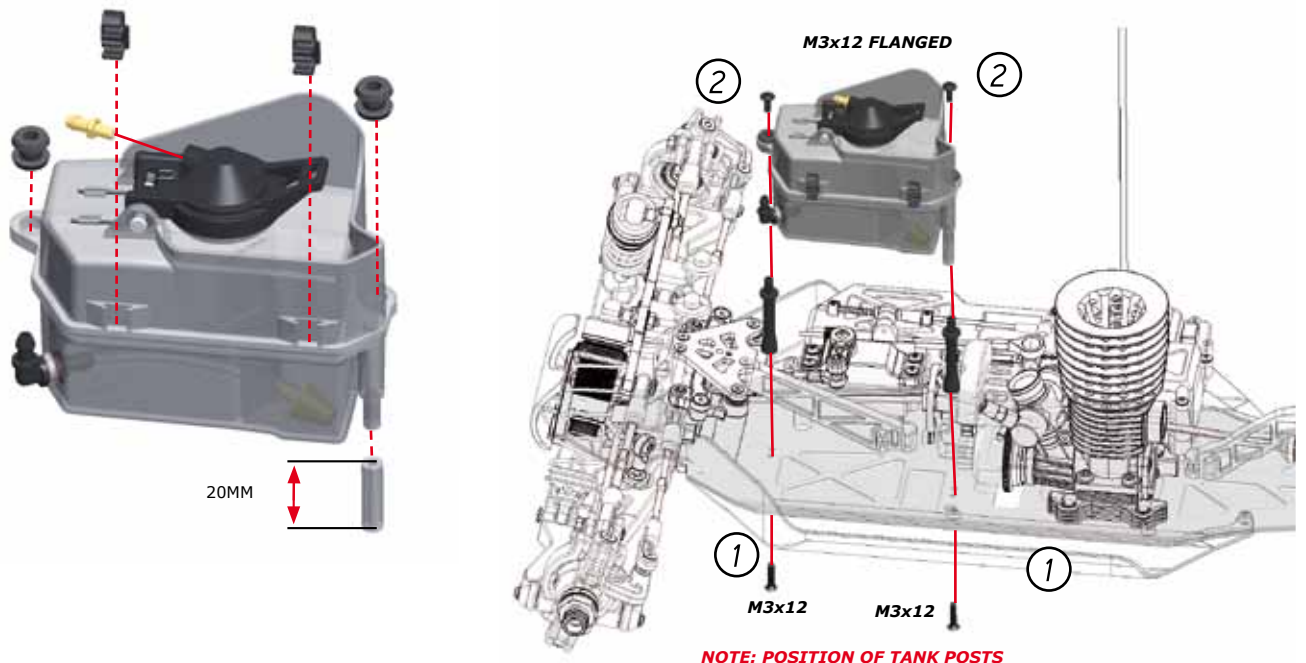
12

BAG

12

BLUTE

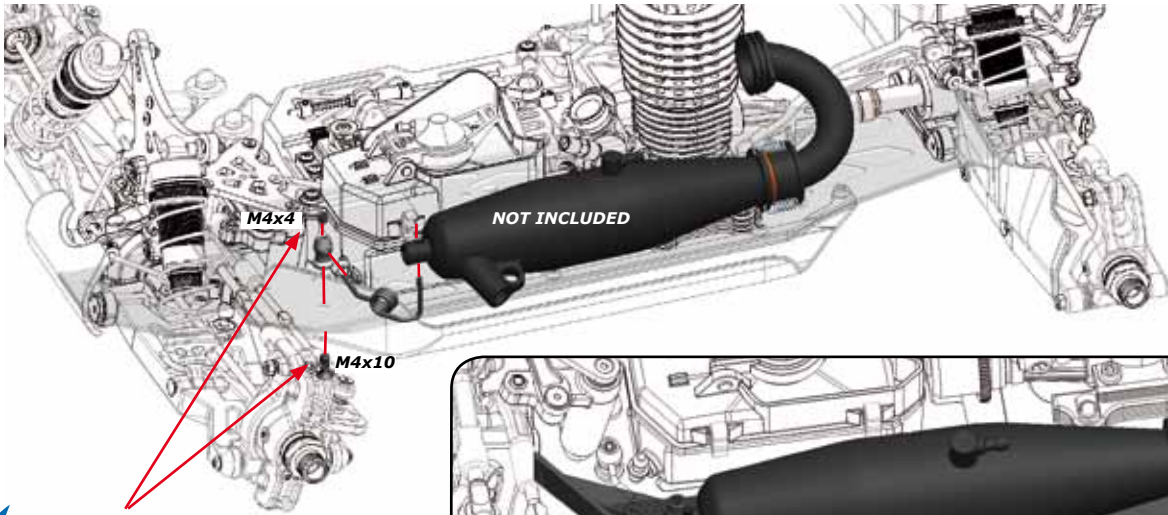
22



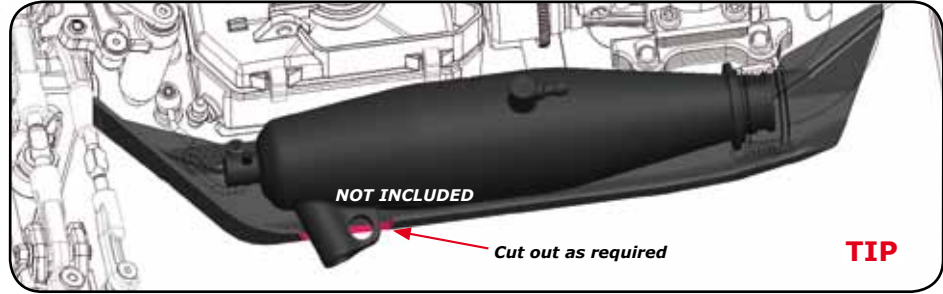
FINAL ASSEMBLY

E

1

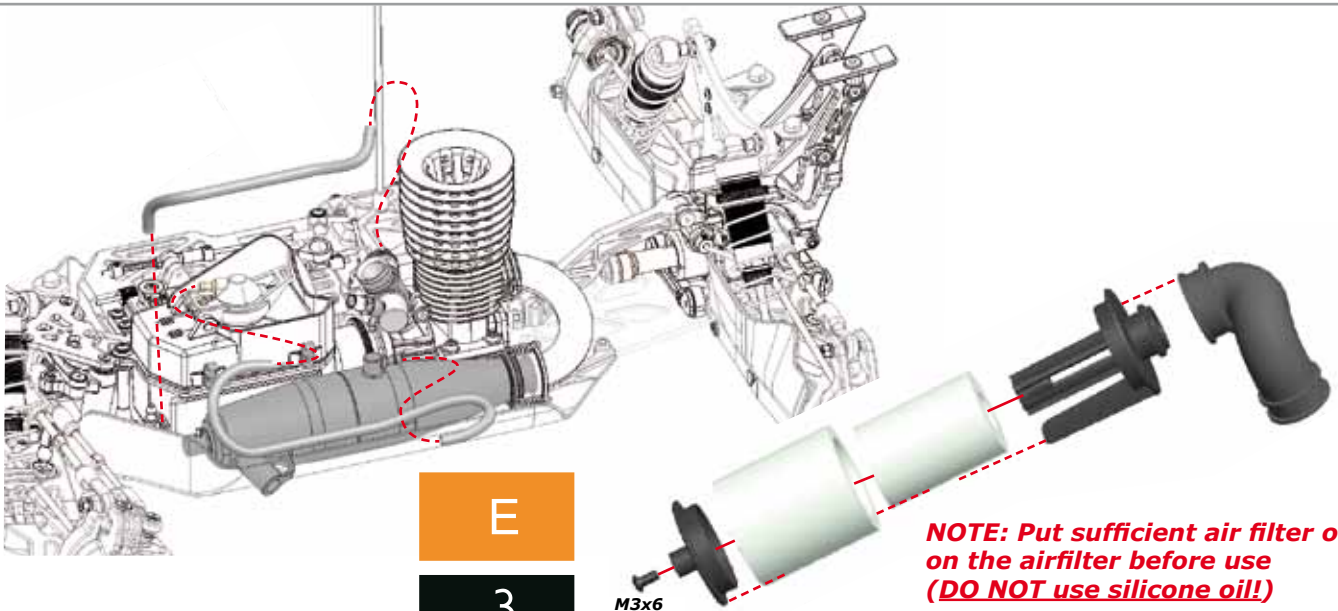


use threadlock on these screws



E

2

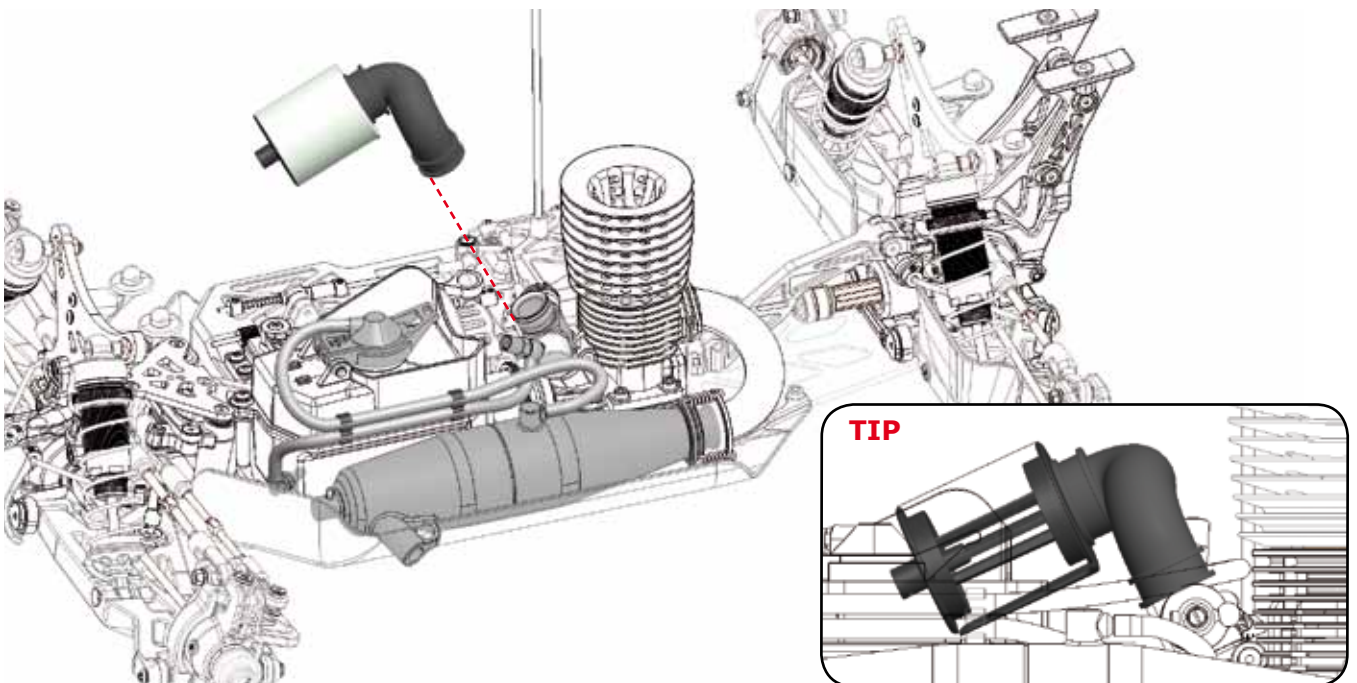


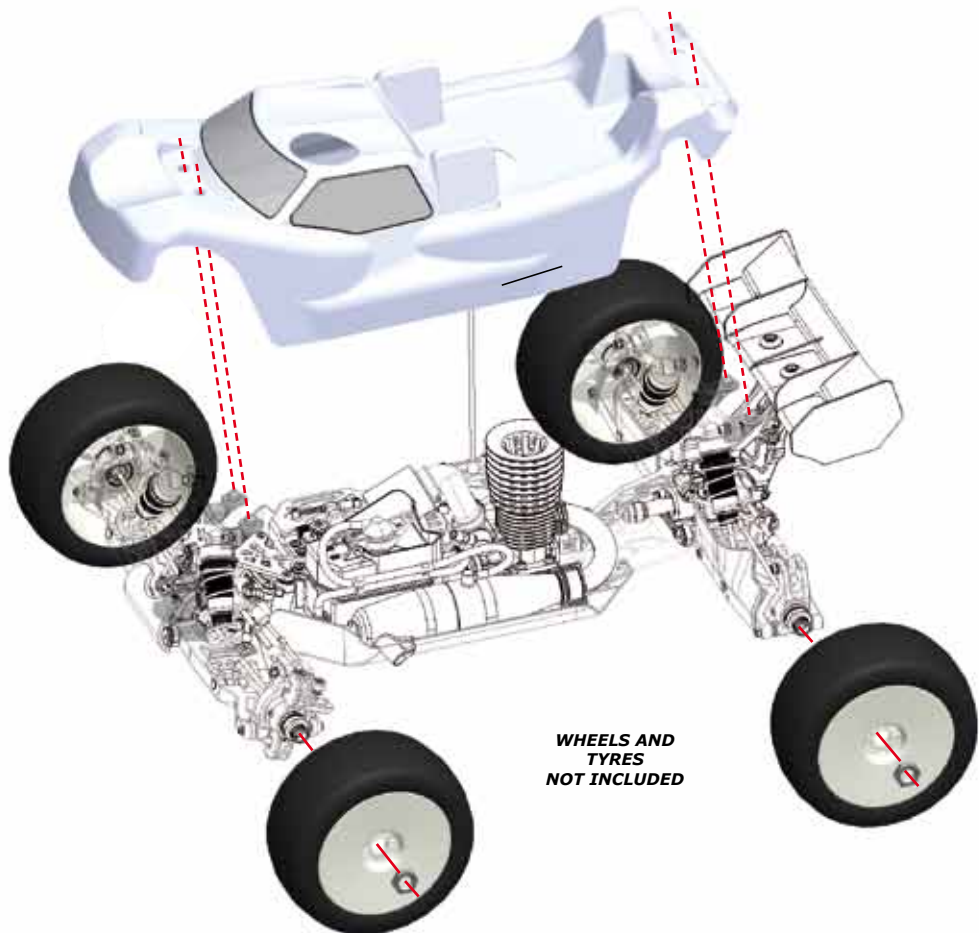
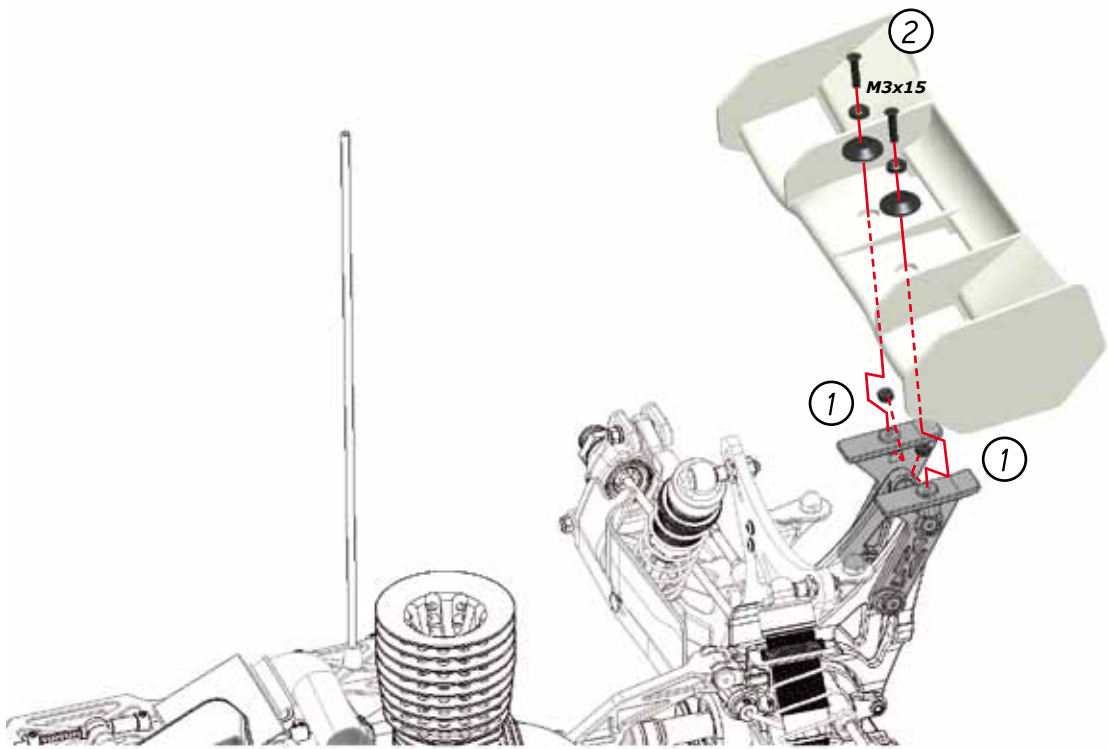
E

3

E

3A







REFERENCE GUIDE AND EXPLODED VIEWS

Description 600030 Serpent 811 Cobra 1/8 4wd Truggy

Manual & Decals

- 600329 Decal sheet S811 black/white (2)
- 600332 Decal sheet S811 chrome (2)
- 600383 Manual S811 Cobra Truggy

Radio Installation / Battery

- 1606 Antenna rod black (2)
- 1639 Collar alu + Setscrew (4)
- 600121 Brake levers / adjusters
- 600127 Throttle / steering lever set
- 600131 Balljoint set (19)
- 600157 Collar double (2)
- 600333 Brake / Throttle links (2)
- 600358 Radiobox V2 (3)
- 600359 Servo lever / mounts V2 (30)
- 600360 Throttle lever shaft (1)
- 600361 Throttle balls (2+1)
- 600362 Collar set V2 (3)
- 600363 Throttle rod V2 (1)
- 600428 Steering servo rod truggy
- 804181 Throttle spring (2)

Radio Installation / Battery option

- 600290 Servo lever steering 23T alu
- 600291 Servo lever steering 24T alu
- 600292 Servo lever steering 25T alu
- 600293 Servo lever throttle 23T alu
- 600294 Servo lever throttle 24T alu
- 600295 Servo lever throttle 25T alu
- 600429 Steering servo rod titanium truggy

Servo Saver & Steering

- 600105 Servosaver spring
- 600109 O-ring servosaver nut (4)
- 600128 Servo saver set nylon (3)
- 600131 Balljoint set (19)
- 600153 Topdeck front carbon
- 600167 Steeringrack mount
- 600169 Servosaver adjust nut
- 600170 Servosaver shaft outer
- 600173 Steeringrack option 3
- 600182 Bolt steeringrack (2)
- 600191 Pivotball 6mm steering (4)
- 600199 Servosaver post (2)
- 600227 Pivot ball steering rod (2)
- 600334 Spacer steering post (2)
- 600428 Steering servo rod truggy

Servo Saver & Steering option

- 600171 Steeringrack option 1
- 600172 Steeringrack option 2
- 600278 Servo saver post alu (2)
- 600296 Servosaver alu coated (3)
- 600330 Servo saver spring hard
- 600429 Steering servo rod titanium truggy

Fuel tank and parts

- 1493 Pressure nipple m3 (4)
- 1494 Silicone tubing 2x5x50 white
- 600115 Tank mounting rubber (4)
- 600116 O-ring tank (4)
- 600117 Tank cap seal silicone (2)

- 600123 Clip /plug set for fuel tube (6)
- 600335 Post fuel tank (2)
- 600411 Fueltank 150cc with filter

Shock Absorbers

- 600111 Shock membrane (10)
- 600112 O-ring shock bottom (10)
- 600113 O-ring shock nut (10)
- 600118 Shock part frame nylon (10)
- 600145 Shock pistons (4x4)
- 600158 Adjust nut shock / o-ring (2)
- 600159 Shock top alu (2)
- 600179 Shock mount (2)
- 600180 Washer shock shaft (4)
- 600184 Pivotball 6.75 double (4)
- 600234 Shock cartridge stepped (4)
- 600235 Shock cartridge (4)
- 600319 Shock revision set (20)
- 600386 Shock body coated FR Truggy (2)
- 600387 Shock body coated RR Truggy (2)
- 600388 Shock boot Truggy (4)
- 600391 Shockset FR Truggy (2)
- 600392 Shockset RR Truggy (2)
- 600393 Shockshaft FR Truggy (2)
- 600394 Shockshaft RR Truggy (2)

Shock Absorbers option

- 600282 Shock bushing delrin (4)
- 600287 Shock spring support alu (4)
- 600347 Shock top 7075 hard anodized (2)
- 600349 Shock pistons conical 6 hole (4)
- 600350 Shock pistons conical 8 hole (4)
- 600351 Shock pistons conical 10 hole (4)
- 600357 Membrane webbed silicone (4)
- 600389 Shock shaft FR Truggy TiNi coating (2)
- 600390 Shock shaft RR Truggy TiNi coating (2)
- 600487 Bolt shock titanium (4)
- 600488 Shock pistons 8 hole (4)

Shock Springs

- 600252 Spring set RR pink 2.8lbs (2)
- 600253 Spring set RR blue 3.0lbs (2)
- 600254 Spring set RR purple 3.2lbs (2)
- 600255 Spring set RR green 3.4lbs (2)
- 600256 Spring set RR grey 3.6lbs (2)
- 600257 Spring set RR yellow 3.8lbs (2)
- 600258 Spring set RR white 4,0lbs (2)
- 600260 Spring set RR (7x2)
- 600366 Spring set FR (7x2)
- 600402 Spring set FR Pink 4,8lbs (2)
- 600403 Spring set FR Blue 5.0 lbs (2)
- 600404 Spring set FR Purple 5.2 lbs (2)
- 600405 Spring set FR Green 5,4 lbs (2)
- 600406 Spring set FR Gray 5,6 lbs (2)
- 600407 Spring set FR Yellow 5.8 lbs (2)
- 600408 Spring set FR White 6.0 lbs (2)

Chassis / Guards

- 600141 Bumper
- 600368 Brace Truggy front / rear nylon
- 600370 Chassis Truggy alu 7075 T6 anodised
- 600384 Mudguard Truggy L+R
- 600399 Sideguard Truggy L+R

Chassis / Guards Optional

- 600371 Chassis brace Truggy front alu
- 600372 Chassis brace Truggy rear alu
- 600469 Chassis S811 hard anodized

Front Section

- 600101 Wheelaxle clip (4)
- 600107 Wheelaxle (2)
- 600108 Hingepin (2)
- 600126 Washer/nut nylon M3 (12+15)
- 600129 Diff case front set
- 600131 Balljoint set (19)
- 600132 Suspension bracket inserts (30)
- 600137 Steeringblock L+R
- 600153 Topdeck front carbon
- 600167 Steeringcrack mount
- 600168 Camberlink pivotball (4)
- 600174 Antirollbar nut (2)
- 600176 Suspension bracket alu FR RR std
- 600177 Suspension bracket alu FR FR std
- 600178 Shim conical M3x7.5x1 (10)
- 600182 Bolt steeringcrack (2)
- 600183 Bushing suspensionarm (4)
- 600185 Pivotball 7.5 double (4)
- 600190 Pin steeringblock (4)
- 600192 Pivotball antirollbar (2)
- 600193 Pivotball threaded antirollbar (2)
- 600197 Driveshaft insert (2)
- 600222 Wheelnut 17mm (4)
- 600224 Bolt shock (4)
- 600225 Droop screw (4)
- 600261 Socket screw M3x8 (6)
- 600326 Special screw fr whisbone (4)
- 600364 Gear coupler steel v2
- 600367 Bodymount Truggy FR+RR
- 600368 Brace front / rear nylon
- 600373 C-Hub Truggy 12 L+R
- 600379 Driveshaft Truggy (2)
- 600381 Gear coupler rubber boot (2)
- 600382 Hex adaptor clip (2)
- 600396 Shocktower Truggy front carbon
- 600412 Track rod M4x92 (2)
- 600416 Track rod M5x91 (2)
- 600420 Wheelhexagon Truggy + clip (4)
- 600422 Wishbone front L+R
- 600431 Antiroll bar front truggy 2,3mm
- 903343 Antirollbar Spacer 3mm (2)

Front Section Optional

- 600263 Washer M3 alu (12)
- 600264 Wheelaxle alu (2)
- 600273 Shock mount titanium (2)
- 600297 Lightweight wheel nut 17mm (4)
- 600305 Steering block L+R alu
- 600311 Antiroll bar wire 1.8mm (2)
- 600312 Antiroll bar wire 2mm (2)
- 600313 Antiroll bar wire 2.1mm (2)
- 600314 Antiroll bar wire 2.3mm (2)
- 600315 Antiroll bar wire 2.5mm (2)
- 600316 Antiroll bar wire 2.7mm (2)
- 600371 Chassis brace Truggy front alu
- 600374 C-hub Truggy 14 L+R alu
- 600395 Shocktower Truggy FR alu light
- 600413 Track rod M4x92 titanium (2)
- 600417 Track rod M5x91 titanium (2)
- 600426 Wheelhexagon truggy +1mm (2)
- 600426 Wheelhexagon truggy +2mm (2)
- 600430 Antiroll bar front truggy 2,1mm
- 600432 Antiroll bar front truggy 2,5mm
- 600433 Antiroll bar shaft front truggy
- 600484 Antirollbar spacer alu (2)
- 600485 Pivotball anti roll bar alu (2)
- 600486 Bushing suspension arm fr alu (4)
- 600487 Bolt shock titanium (4)
- 600490 Hingepin TiN coated (2)
- 600517 Shim 8x11x0.1 (10)

Middle Section

- 600100 Exhaust mounting wire (2)
 - 600119 Center diff holder parts (3)
 - 600131 Balljoint set (19)
 - 600148 Diskbrake front fibreglass
 - 600149 Diskbrake rear fibreglass
 - 600164 Brake excenter (2)
 - 600165 Brake lever insert (2)
 - 600166 Exhaust mount alu
 - 600181 Bolt brake plate (4)
 - 600197 Driveshaft insert (2)
 - 600203 Brake plate (4)
 - 600208 Brake spring (4)
 - 600221 Engine mount (2)
 - 600226 Brake piston solid (2)
 - 600236 Airfilter boot
 - 600243 Airfilter + foam
 - 600340 Airfilter foam set inner-outer (6)
 - 600341 Airfilter foam set inner-outer (10)
 - 600364 Gear coupler steel v2
 - 600369 Brake plate thick (2)
 - 600377 Driveshaft Truggy center front
 - 600378 Driveshaft Truggy center rear
 - 600410 Spurgear 50T
 - 600516 Centerdiff spacers truggy (2)
- ### Middle Section Option
- 600281 Brake piston /spring (2/2/2)
 - 600286 Center diff holder alu (2)
 - 600299 Engine monomount-set alu
 - 600345 Brake set pro
 - 600346 Brake pad Pro (2)
 - 600409 Spur gear 52T

Rear Section

- 600101 Wheelaxle clip (4)
- 600107 Wheelaxle (2)
- 600108 Hingepin (2)
- 600126 Washer/nut nylon M3 (12+15)
- 600130 Diff case rear set
- 600131 Balljoint set (19)
- 600132 Suspension bracket inserts (30)
- 600133 Wing mount set
- 600143 Wing white nylon
- 600155 Suspension bracket RR RR 3
- 600156 Suspension bracket RR FR 2
- 600168 Camberlink pivotball (4)
- 600174 Antirollbar nut (2)
- 600178 Shim conical M3x7.5x1 (10)
- 600185 Pivotball 7.5 double (4)
- 600189 Hingepin RR outer (2)
- 600192 Pivotball antirollbar (2)
- 600193 Pivotball threaded antirollbar (2)
- 600197 Driveshaft insert (2)
- 600204 Bolt transmission brace rear (2)
- 600222 Wheelnut 17mm (4)
- 600224 Bolt shock (4)
- 600225 Droop screw (4)
- 600237 Antiroll bar rear 2.3mm
- 600261 Socket screw M3x8 (6)
- 600367 Bodymount Truggy FR+RR
- 600368 Brace front / rear nylon
- 600379 Driveshaft Truggy (2)
- 600380 Gear coupler rear + clip
- 600381 Gear coupler rubber boot (2)
- 600382 Hex adaptor clip (2)
- 600397 Shocktower Truggy rear carbon
- 600400 Snap ring for coupler (2)
- 600414 Track rod M5x86 (2)
- 600418 Upright Truggy L+R
- 600420 Wheelhexagon Truggy + clip (4)
- 600423 Wishbone Truggy rear L+R
- 600365 Spacers 1,25mm + 2,5mm for wheelbase (4+2)
- 903343 Antirollbar Spacer 3mm (2)

Rear Section option

- 600238 Antiroll bar rear 2.5mm
- 600239 Antiroll bar rear 2.7mm
- 600263 Washer M3 alu (12)
- 600264 Wheelaxle alu (2)
- 600265 Suspension bracket RR FR 2.5 - 4.5
- 600266 Suspension bracket RR RR HR 3
- 600267 Suspension bracket RR RR LR 3
- 600273 Shock mount titanium (2)
- 600277 Wing black nylon
- 600297 Lightweight wheel nut 17mm (4)
- 600300 Post wingmount alu (2)
- 600301 Wing washer alu (2)
- 600308 Suspension bracket RR FR 2.5 - 4.5
- 600310 Antiroll bar shaft RR
- 600311 Antiroll bar wire 1.8mm (2)
- 600312 Antiroll bar wire 2mm (2)
- 600313 Antiroll bar wire 2.1mm (2)
- 600314 Antiroll bar wire 2.3mm (2)
- 600315 Antiroll bar wire 2.5mm (2)
- 600316 Antiroll bar wire 2.7mm (2)
- 600338 Antiroll bar rear 1.8mm
- 600339 Antiroll bar rear 2.0mm
- 600372 Chassis brace Truggy rear alu
- 600398 Shocktower Truggy RR alu light
- 600415 Track rod M5x86 titanium (2)
- 600419 Upright Truggy L+R alu
- 600426 Wheelhexagon truggy +1mm (2)
- 600427 Wheelhexagon truggy +2mm (2)
- 600434 Antiroll bar rear 2,4mm
- 600517 Shim 8x11x0.1 (10)
- 600491 Hingepin rr outer TiN coated (2)
- 600490 Hingepin TiN coated (2)
- 600489 Transmission brace tube alu
- 600485 Pivotball anti roll bar alu (2)
- 600487 Bolt shock titanium (4)
- 600484 Antirollbar spacer alu (2)

Differential

- 600110 O-ring diff outdrive (10)
- 600144 Diff housing
- 600147 Diff gasket (3)
- 600200 Diff outdrive (2)
- 600201 Diff gear 43T
- 600202 Diff gear 10T + 20T (4+2)
- 600205 Shim 13x16x0.2 (10)
- 600209 Diff pin 10T (2)
- 600210 Diff pin outdrive (2)
- 600211 Diff pinion 10T
- 600213 Shim 6x11.75x0.2 (10)
- 600214 Shim 3.5x12x0.2 (10)
- 600215 Shim 8x11x0.2 (10)
- 600323 Diff Fr / Rr
- 600354 Shim 14x15.5x 0.65 (4)
- 600356 Shim 14x15.5x0.2 (10)
- 600375 Diff Center 50T
- 600376 Diff outdrive center (2)
- 600410 Spurgear 50T
- 600421 O-ring centerdiff V2 (10)
- 600425 Diff housing V2
- 600517 Shim 8x11x0.1 (10)

Differential Optional

- 600283 Diff pin 10T alu (2)
- 600409 Spur gear 52T

Clutch

- 600163 Flywheel alu
- 600206 Clutch nut (2)
- 600216 Clutch bell 13T
- 600228 Clutch shoe carbon (4)
- 600230 Clutch spring medium (4)
- 600261 Socket screw M3x8 (6)
- 600262 Clutch screw (4)
- 909519 Shim Centax 5x08x0.1(2)x0.3(1)
- 909519 Shim Centax 5x8x0.1(2)x0.3(1)

Clutch Optional

- 600175 Clutchshoe alu (4)
- 600217 Clutch bell 14T
- 600218 Clutch bell 15T
- 600219 Clutch bell 16T
- 600220 Clutch bell 17T
- 600229 Clutch spring soft (4)
- 600231 Clutch spring hard (4)
- 600232 Clutch spring X hard (4)
- 600233 Clutch spring set (4x4)
- 600244 Clutch-set alu / carbon
- 600298 Flywheel steel
- 600355 Clutch shoe set Alu / Carbon (2+2)

Body and Wing

- 1667 Body-clip medium (10)
- 600133 Wing mount set
- 600143 Wing white nylon
- 600401 Body S811 Truggy

Body

- 600277 Wing black nylon
- 600439 Wing white low 811
- 600440 Wing black low 811
- 600441 Wing mount set low 811

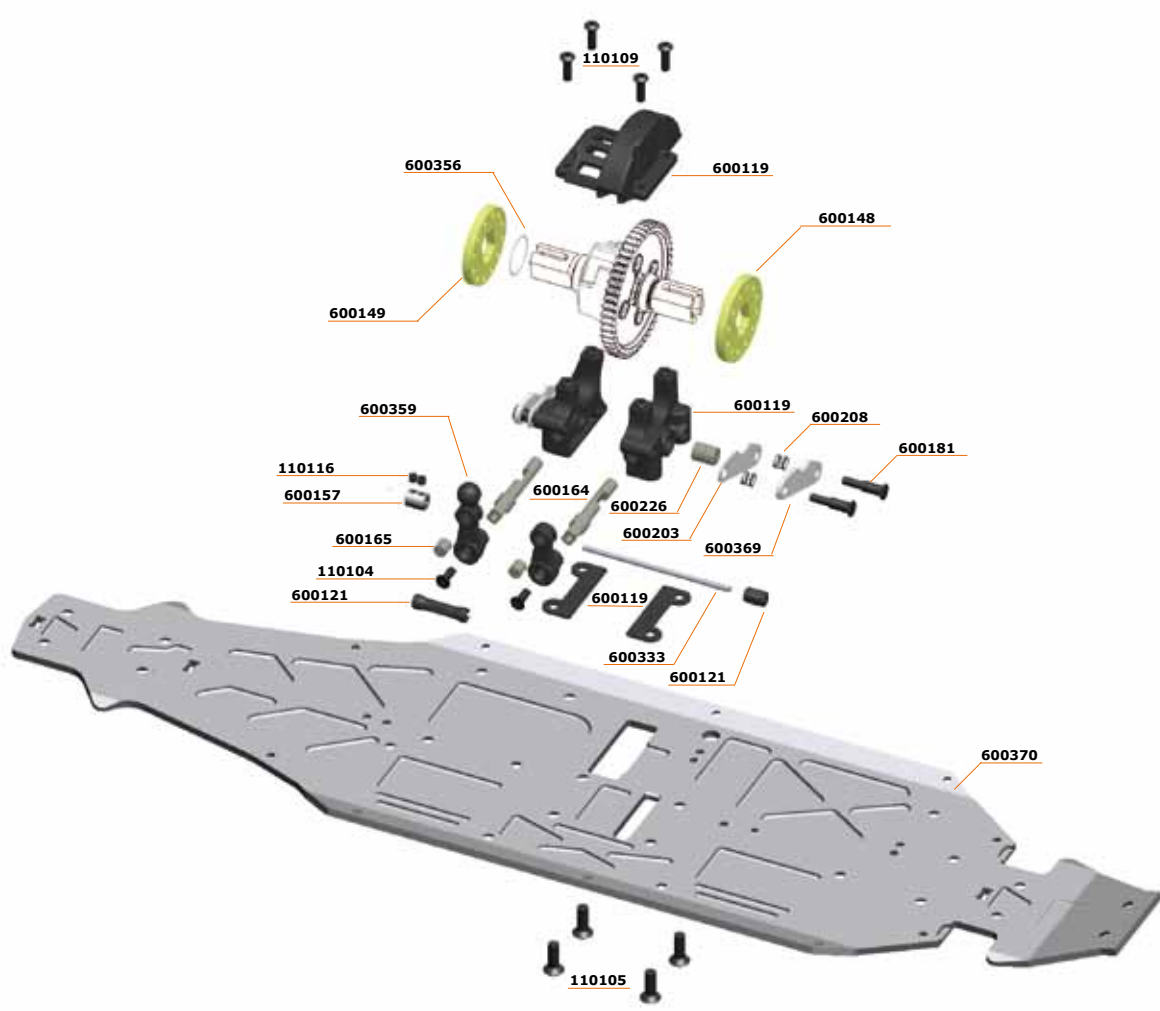
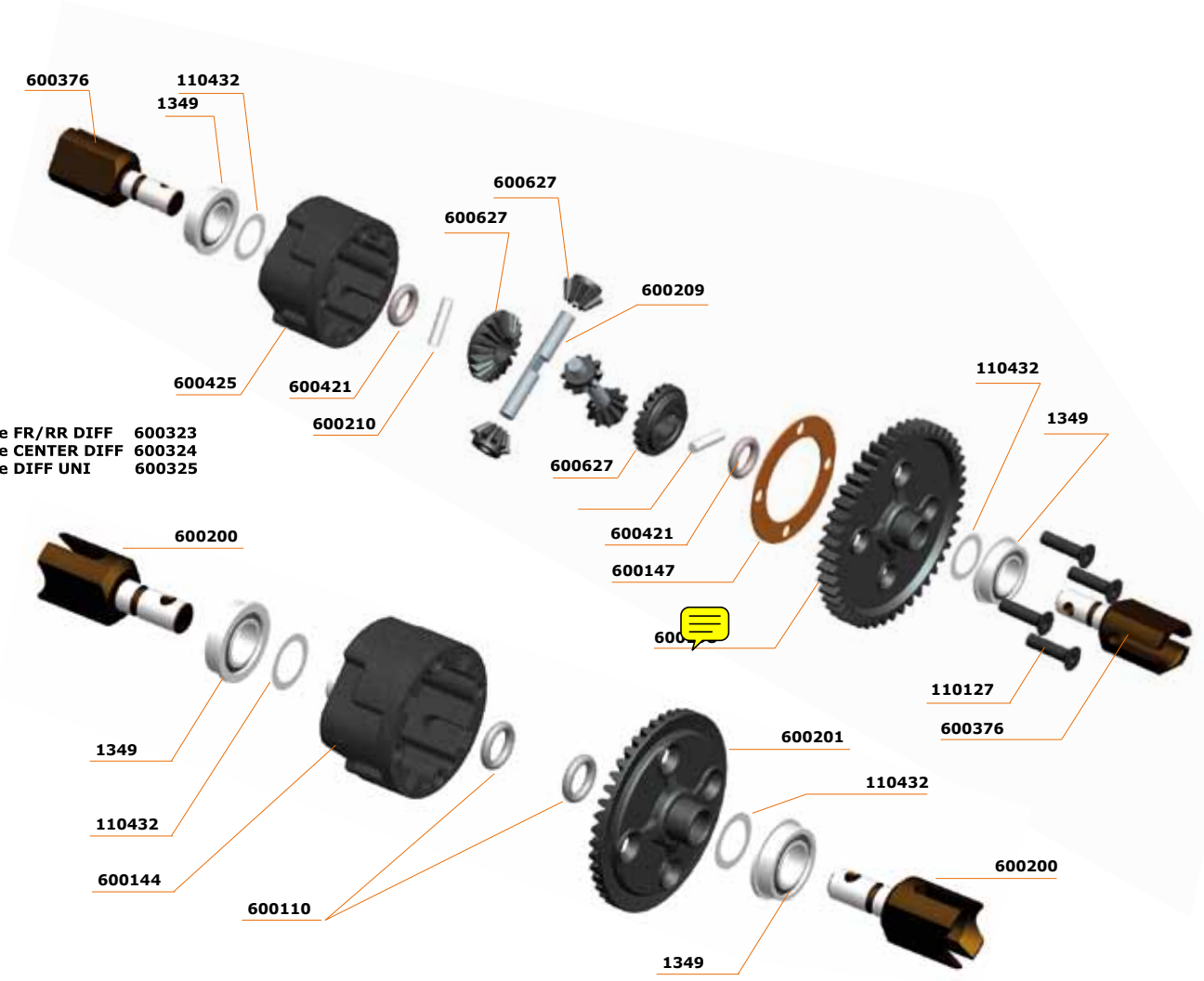
Merchandising

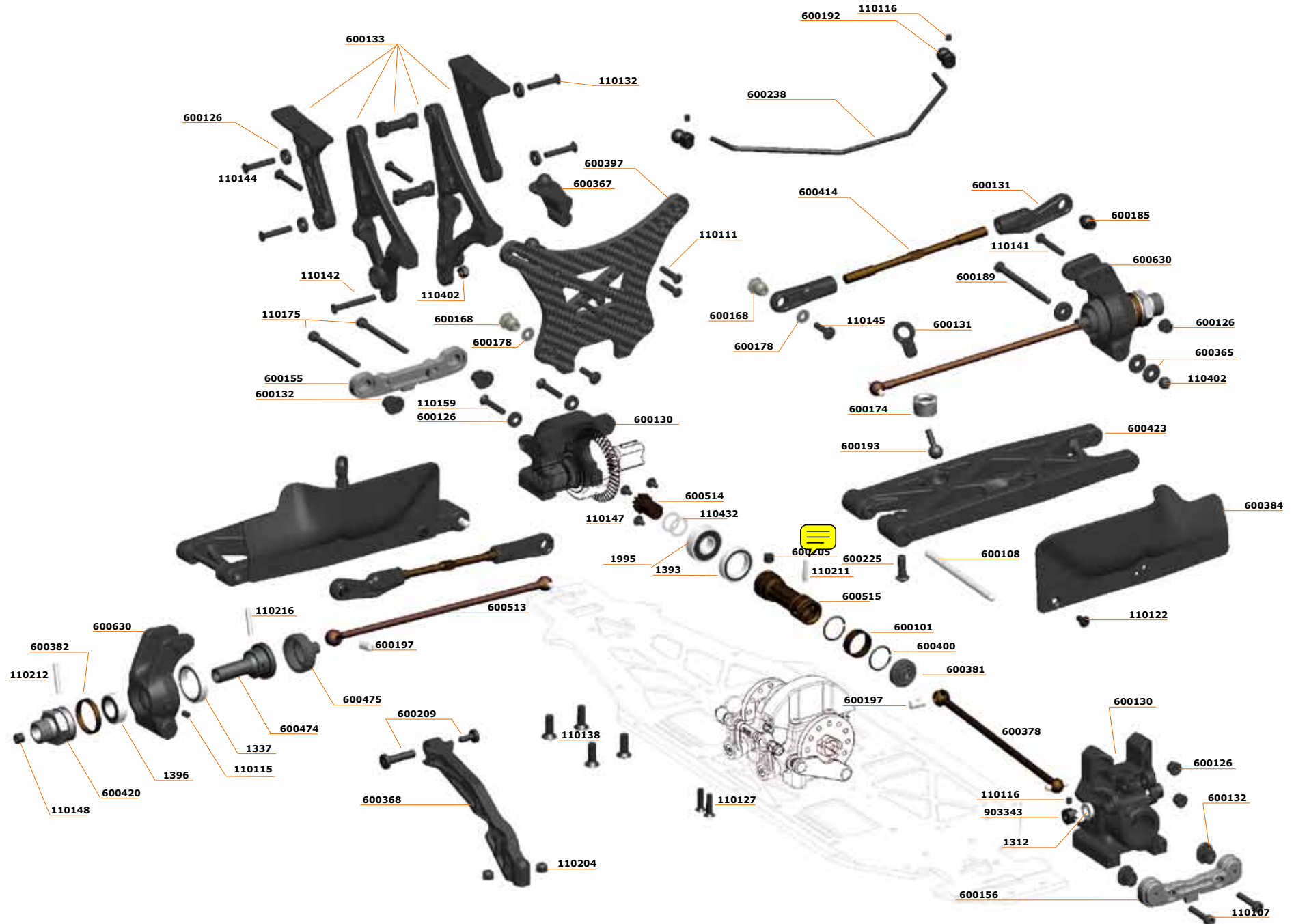
- 1869 Pit-towel Serpent orange 140x60cm
- 1886 Decal Serpent black/white 1/10 (2)
- 1887 Decal Serpent black/white 1/8 (2)
- 1888 Decal Serpent chrome 1/10 (2)
- 1889 Decal Serpent chrome 1/8 (2)
- 1890 Serpent large promo decal 40x25
- 1891 Serpent medium promo decal 20x12,5 (2)
- 1892 Serpent windowshop decal 20x12,5 (2 sided)
- 1980 Kit-bag serpent large black-orange
- 1998 Cap Serpent black-orange
- 190110 Sweater hooded serpent black (s)
- 190111 Sweater hooded serpent black (m)
- 190112 Sweater hooded serpent black (l)
- 190113 Sweater hooded serpent black (xl)
- 190114 Sweater hooded serpent black (xxl)
- 190137 T-shirt Serpent offroad orange (S)
- 190138 T-shirt Serpent offroad orange (M)
- 190139 T-shirt Serpent offroad orange (L)
- 190140 T-shirt Serpent offroad orange (XL)
- 190141 T-shirt Serpent offroad orange (XXL)
- 190142 T-shirt Serpent offroad black (S)
- 190143 T-shirt Serpent offroad black (M)
- 190144 T-shirt Serpent offroad black (L)
- 190145 T-shirt Serpent offroad black (XL)
- 190146 T-shirt Serpent offroad black (XXL)
- 190150 Dress shirt Serpent black-orange (S)
- 190151 Dress shirt Serpent black-orange (M)
- 190152 Dress shirt Serpent black-orange (L)
- 190153 Dress shirt Serpent black-orange (XL)
- 190154 Dress shirt Serpent black-orange (XXL)
- 190155 Dress shirt Serpent black-orange (XXXL)
- 190156 Polo shirt Serpent black-orange (S)
- 190157 Polo shirt Serpent black-orange (M)
- 190158 Polo shirt Serpent black-orange (L)
- 190159 Polo shirt Serpent black-orange (XL)
- 190160 Polo shirt Serpent black-orange (XXL)
- 190161 Polo shirt Serpent black-orange (XXXL)
- 190162 T-shirt Serpent offroad white (S)
- 190163 T-shirt Serpent offroad white (M)
- 190164 T-shirt Serpent offroad white (L)
- 190165 T-shirt Serpent offroad white (XL)
- 190166 T-shirt Serpent offroad white (XXL)

Ball Bearings

- 1312 Ballbearing 5x8 flanged SS (2)
- 1311 Ballbearing 5x8x2 (2)
- 1315 Ballbearing 5x10x4 SS (2)

 e FR/RR DIFF 600323
 Complete CENTER DIFF 600324
 Complete DIFF UNI 600325





COBRA

TE
Team Edition



www.serpent.com
info@serpent.com

