



NATRIX **748**
TQ

IFMAR **TQ**
VICE WORLD CHAMPION

INSTRUCTION MANUAL
& REFERENCE GUIDE



Welcome to Serpent

The Serpent NATRIX 748 1/10 scale gaspowered car, combining ultimate performance into a single package. The 200mm wide gas-powered racing car offers superb handling and durability .

The Serpent NATRIX 748 is designed to be a world champion, while still being easy to use, assemble, and set up. You are now part of the worldwide network of Serpent drivers, which gives you superior technical support and access to many benefits that only Serpent drivers can enjoy.

The Serpent NATRIX 748 offers state of the art specifications and leads the way in 200mm chassis design, using all the knowledge we have from 1/8 scale racing into this design too. Continuously pushing the performance envelope, Serpent's engineers have added many new and innovative features that can help take your Serpent 748 into the winner's circle: new geometry, roll-centers and weight balance, combined with a very open and very accessible design.

INSTRUCTIONS

Serpent's long tradition of excellence extends to their instruction manuals, and this instruction manual is no exception. The easy-to-follow layout is richly illustrated with 3D-rendered full-color images to make your building experience quick and easy.

Following the instructions will result in a well-built, high-performance racecar that will soon be able to unleash its full potential at the racetrack. This instruction manual has

SAFETY

Read and take note of the 'Read this First section' before proceeding to assemble the car-kit. This car-kit is intended for persons aged 16 or older.

CUSTOMER SERVICE

Serpent has made a strong effort to make this manual as complete and clear as possible. Additional info may be published in our website: www.serpent.com or you may ask your dealer or the Serpent distributor for advice, or email Serpent direct: info@serpent.com

The Serpent Facebook, Twitter and Youtube pages give additional means of support and communications.

INSTRUCTIONS, HOW TO USE

The kit includes bags, with bagnumbers, which refer to the same step in the manual. Open only the indicated bag(s) per step and finish that part of the assembly.

been divided into sections that will logically lead you through the assembly process of your Serpent NATRIX 748. Follow the assembly steps in the order presented to ensure that no problems occur during assembly. Each step indicates all the fasteners and small parts used. Bag numbers identify the kit bag(s) that contains the appropriate parts.

EXPLODED VIEWS AND PARTS LIST

The exploded views and parts lists for the Serpent NATRIX 748 are included in the back of this manual. The exploded views show all the parts of a particular assembly step along with the Serpent part number. The parts lists indicate the part number and name of each part for easy reference when ordering.

All information about the Serpent NATRIX 748 is accessible from the Serpent 748 product page which can be found on Serpent.com and can be accessed by simply typing www.serpent.com/804007 into your web browsers address bar.

From the Serpent NATRIX 748 product page you will find the very latest information about your NATRIX 748: reports by team drivers and other experts, tips and tricks, setups, image gallery and downloadable files including the latest version of the instruction manual will be made available as downloadable PDFfiles.

Enjoy racing!

Team Serpent

Remaining parts will be needed lateron in the assembly process.

SETUP

In many assembly steps you mount specific parts that suit the default set-up. We advice to keep the seperate default set-up sheet alongside the manual, during all assembly.

Other finetuning of the set-up, must be done at the track.

CONTENTS

| | |
|----------------------------|-----------|
| FRONT DIFF ASSEMBLY | 4 |
| REAR DIFF ASSEMBLY | 5 |
| REAR ASSEMBLY | 6 |
| GEARBOX ASSEMBLY | 10 |
| FRONT ASSEMBLY | 12 |
| RCM SHOCK ASSEMBLY | 23 |
| CLUTCH ASSEMBLY | 25 |
| FINAL ASSEMBLY | 27 |
| REFF GUIDE | 30 |
| PARTS LIST | 38 |

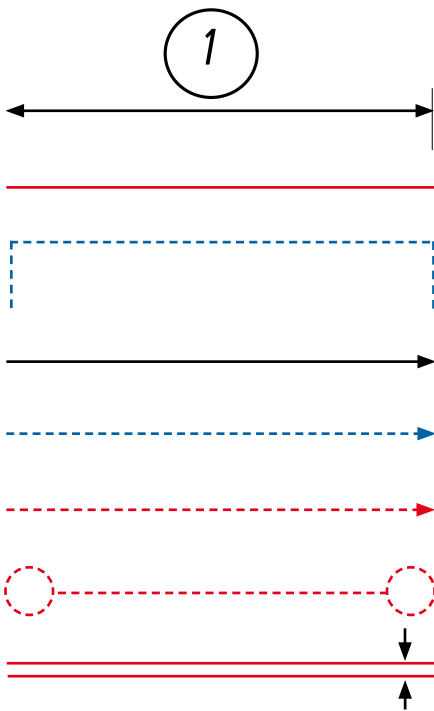
Read this first!

- This is a highly technical hobby product, intended to be used in a safe racing environment. This car is capable of speeds in excess of 80 km/h or 50mph. Please follow these guidelines when building and operating this model.
- Parental guidance is required when the builder/user of this car is under 16.
- Follow the building instructions. If in doubt, contact your dealer or importer.
- Be sure to use the proper tools when assembling the car. Always exercise caution when using electric tools, knives and other sharp objects.
- Be careful when using liquids like lubrication oil, fuel or glue. Do not swallow.
- Follow the manufacturer's instruction in case you experience irritation after using the product.
- Be careful when operating the car. Stay away from any rotating parts such as wheels, gears and transmission. Stay away from motor, engine and exhaust pipe system or speedo during and immediately after use, as these parts may be very hot. We advise to use protective hand gloves.
- Only operate this car in a safe environment, like a special racing track or a closed parking lot. Avoid using

- this car on public roads, crowded places or near infants.
- Before operating this car, always check the mechanical status of the car. Also check that the transmitter and receiver frequencies correspond and are not used by any other racer at the same time. Check that the batteries of the transmitter and receiver are fully charged.
- After use, always check all the mechanics of the car. We advise to clean the car immediately after use, and inspect the parts for wear or fractures. Replace when necessary. Do not use water, methanol, thinner or other solvents to clean the car.
- Empty the fuel tank (depending on model) if needed and disconnect the receiver battery.
- Store the car in a dry and heated place to avoid corrosion of metal parts.
- Avoid using this car in wet conditions as the water will cause corrosion on the metal parts and bearings and these parts will cease to function properly. If driven in the wet, ensure that all the electric equipment is waterproofed and after use, that all moving parts are dried immediately.

USING THE MANUAL

Each step contains a variety of numbers, lines, and symbols. The numbers represent the order in which the parts should be assembled. The lines and symbols are described below.



Step number; the order in which you should assemble the indicated parts

Length after assembly

Assembly path of one item into another

Group of items (within lines) should be assembled first

Direction the item should be moved

Glue one item to another

Press/Insert one item into another

Connect one item to another

Gap between two items



Apply graphite grease (Grey),



Apply threadlock (Blue),



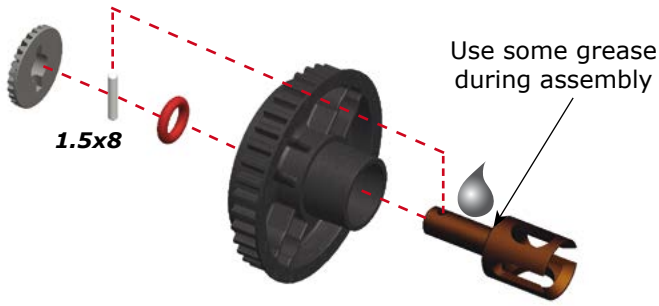
Apply silicone grease (Orange),



Apply silicone oil,

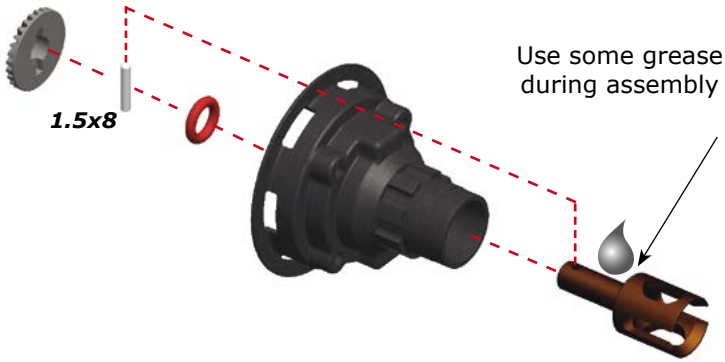
FRONT DIFFERENTIAL ASSEMBLY

STEP 1
BAG FRONT DIFF



NOTE:
In step 2 to mount the pin, first put the pin in the purpose made slot as shown, and after slide it through the hole in the shaft.

STEP 2



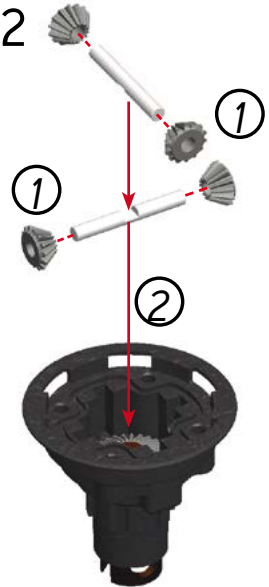
STEP 3

3.1

NOTE:
Add just enough oil to cover the large gear before assembling the small satellite gears and cross pins (step 3.3).



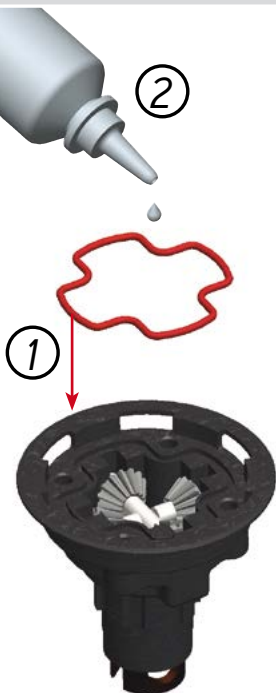
3.2



STEP 4

4.1

NOTE:
1) Assemble the o-ring before adding the oil.
2) Add oil so the cross pins are just covered (DO NOT overfill).



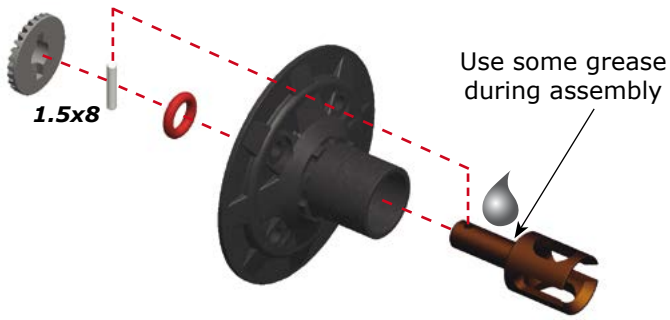
NOTE:
The diff assembled as shown here, should weigh max 17.1 grams

4.2



REAR DIFFERENTIAL ASSEMBLY

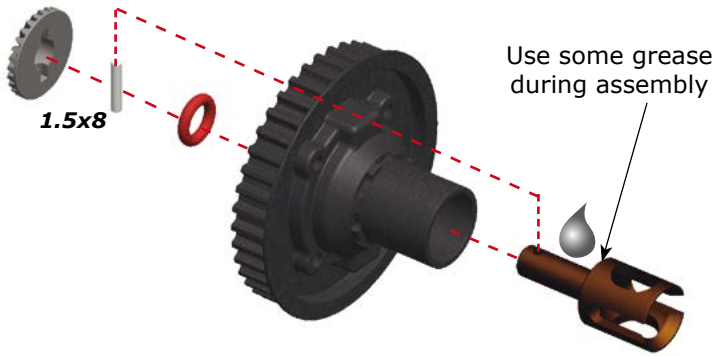
STEP
5
BAG
REAR
DIFF



NOTE: Step 5 and 6
To mount the pin, first put the pin in the purpose made slot as shown, and after slide it through the hole in the shaft.



STEP
6



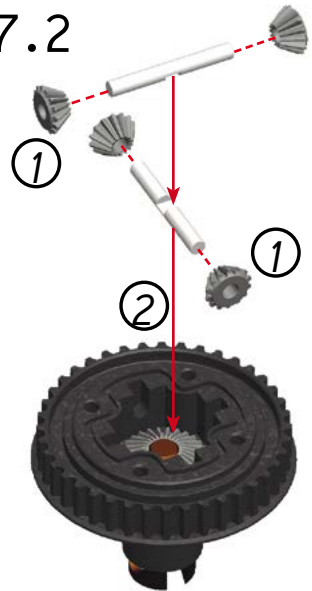
STEP
7

7.1

NOTE:
Add just enough oil to cover the large gear before assembling the small satellite gears and cross pins (step 3.3).



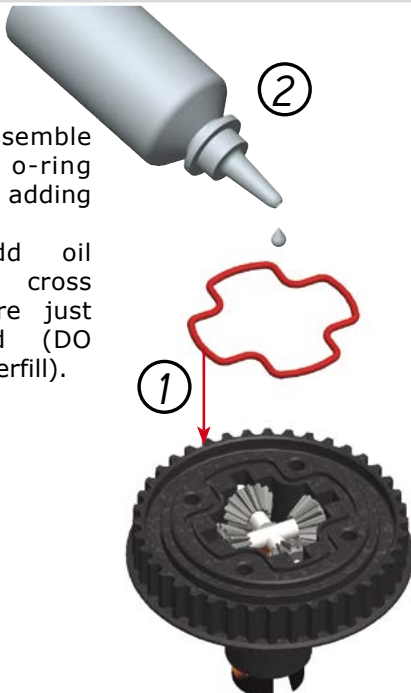
7.2



STEP
8

8.1

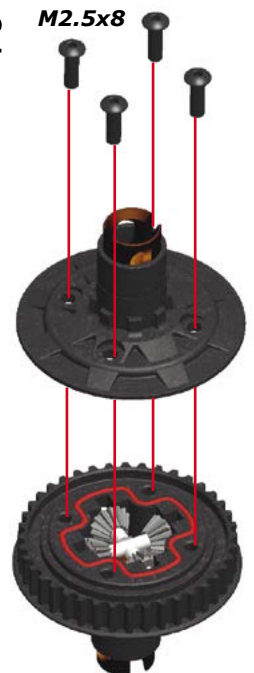
NOTE:
1) Assemble the o-ring before adding the oil.
2) Add oil so the cross pins are just covered (DO NOT overfill).



8.2

M2.5x8

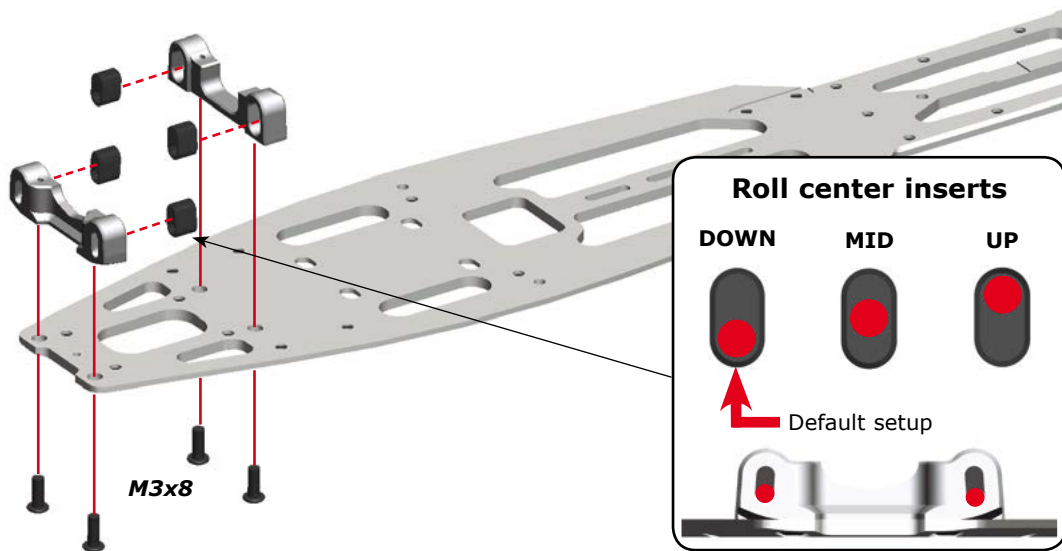
NOTE:
The diff assembled as shown here, should weigh max 19.2 grams



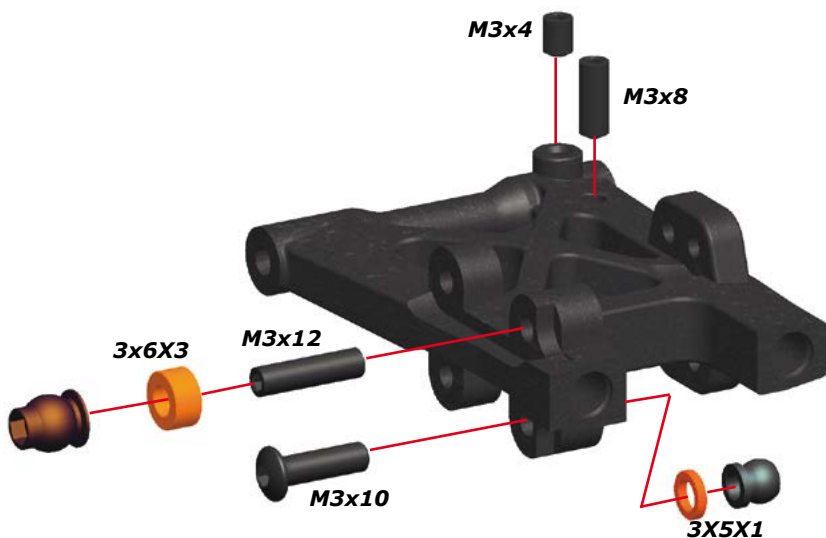
REAR ASSEMBLY

STEP
9

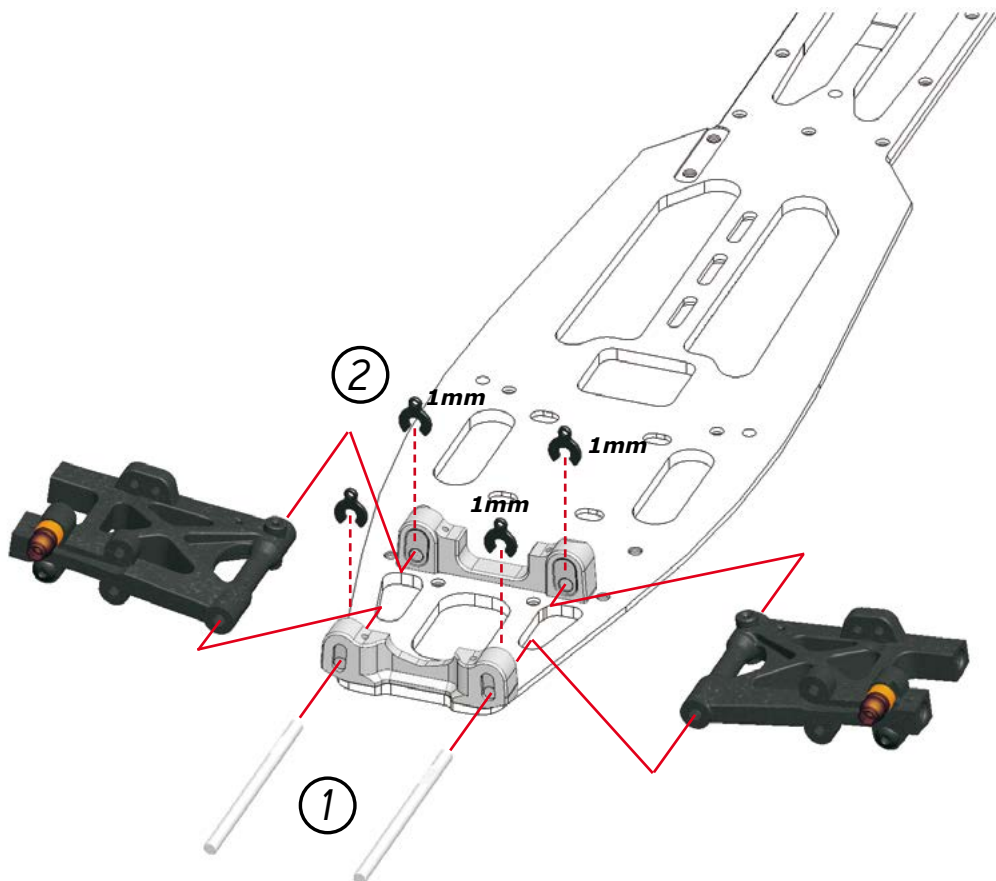
Bag
1

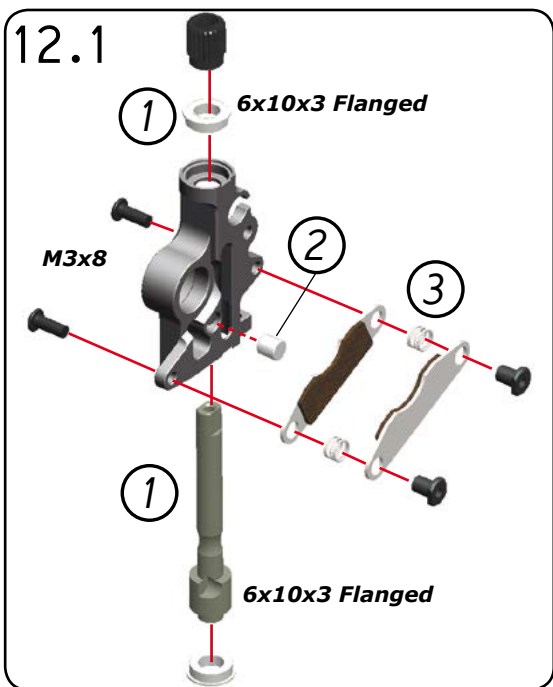


STEP
10

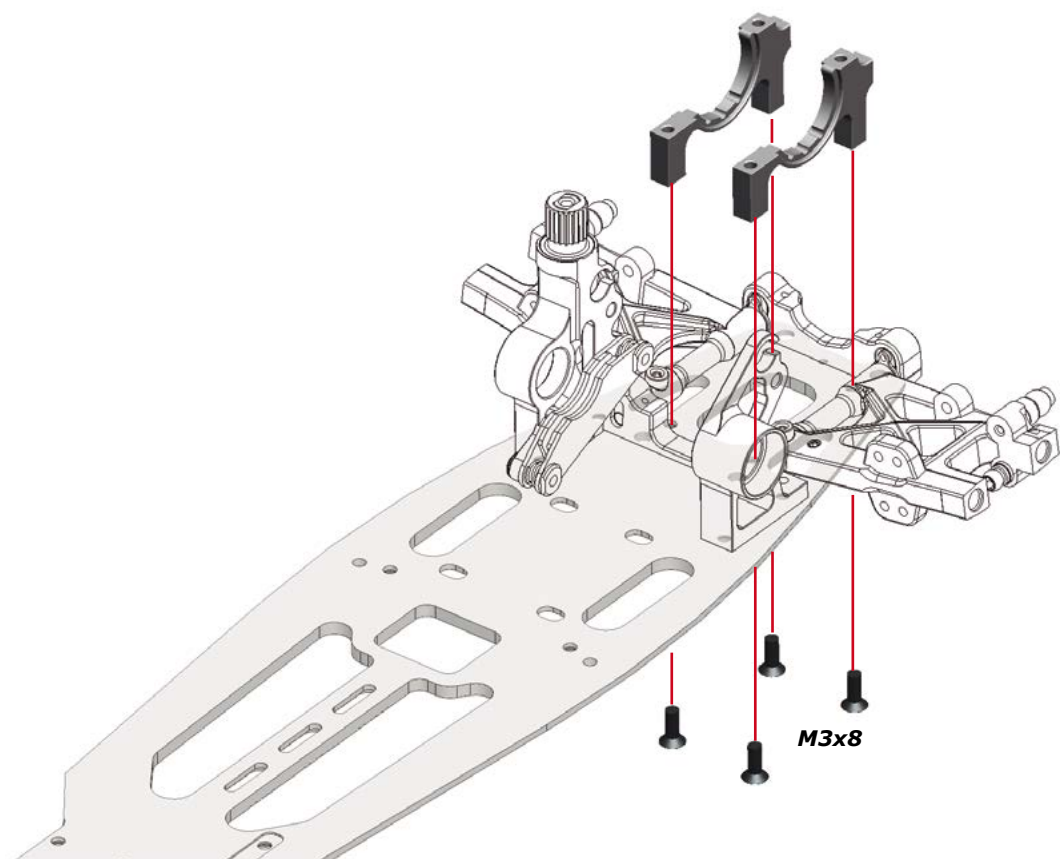
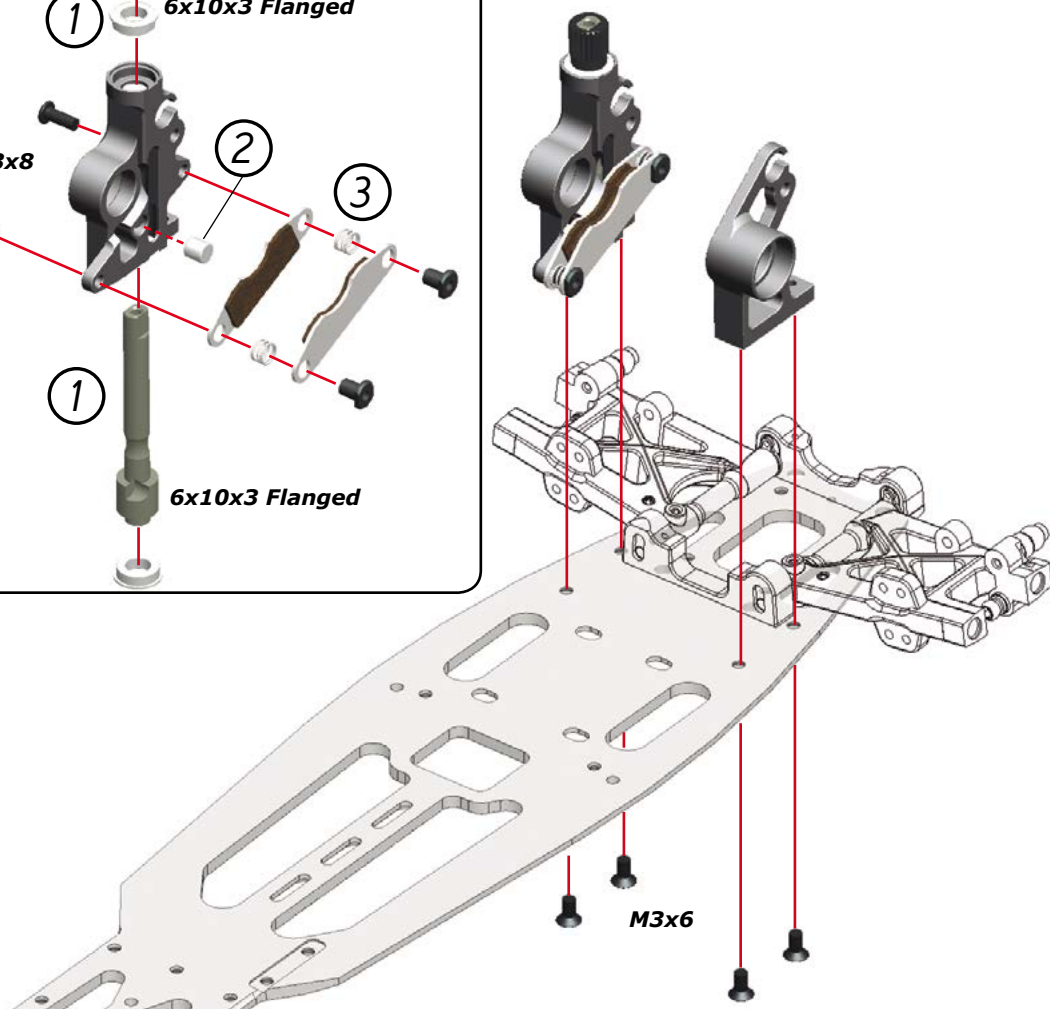


STEP
11

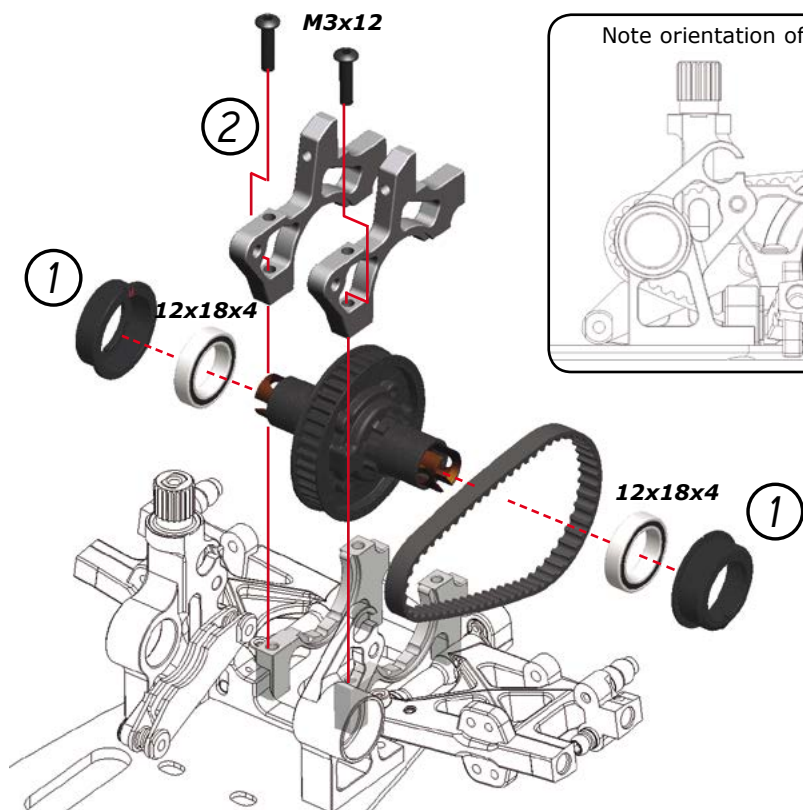




12.2



STEP
14



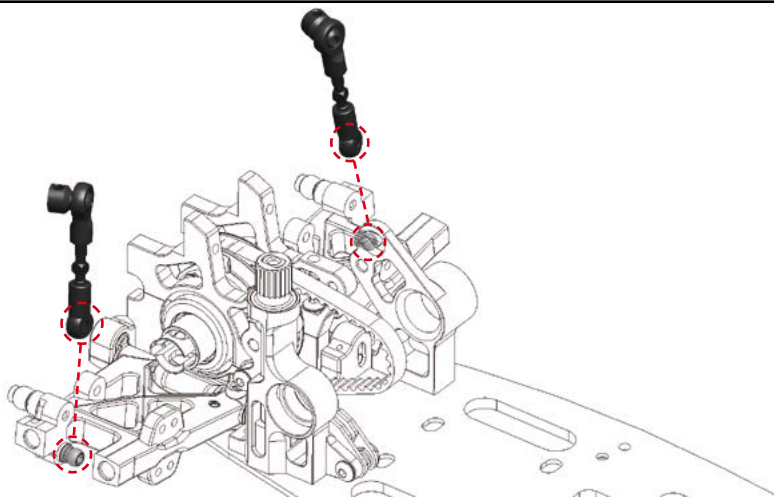
STEP
15

15.1



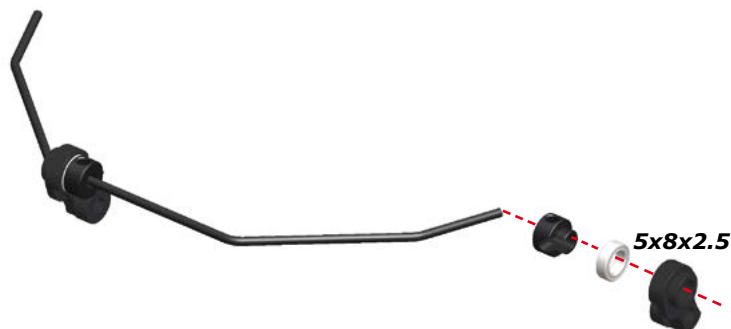
Bag
3

15.2



STEP
16

16.1



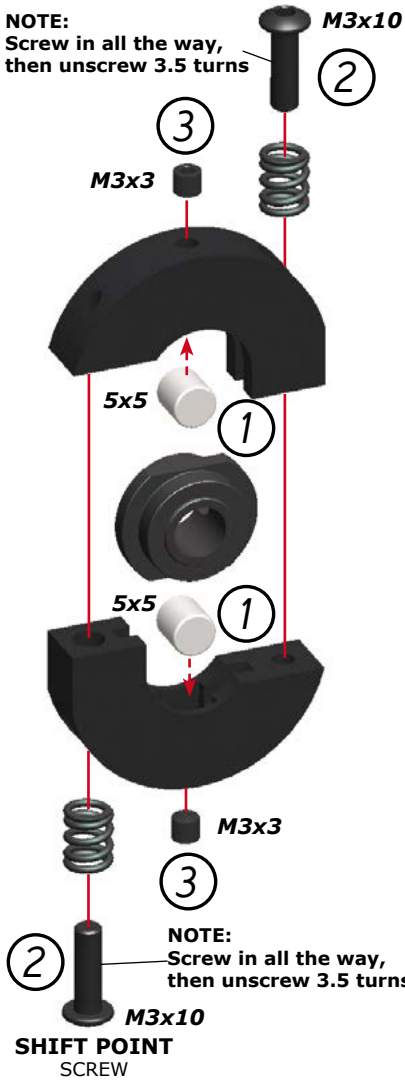
GEARBOX ASSEMBLY

STEP
18

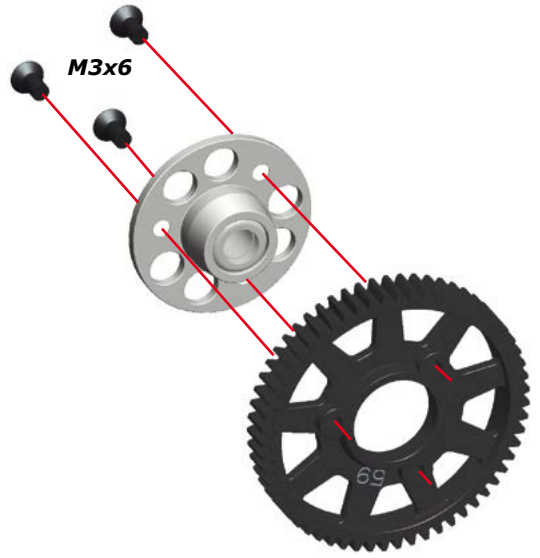
18.1

SHIFT POINT
SCREW

NOTE:
Screw in all the way,
then unscrew 3.5 turns



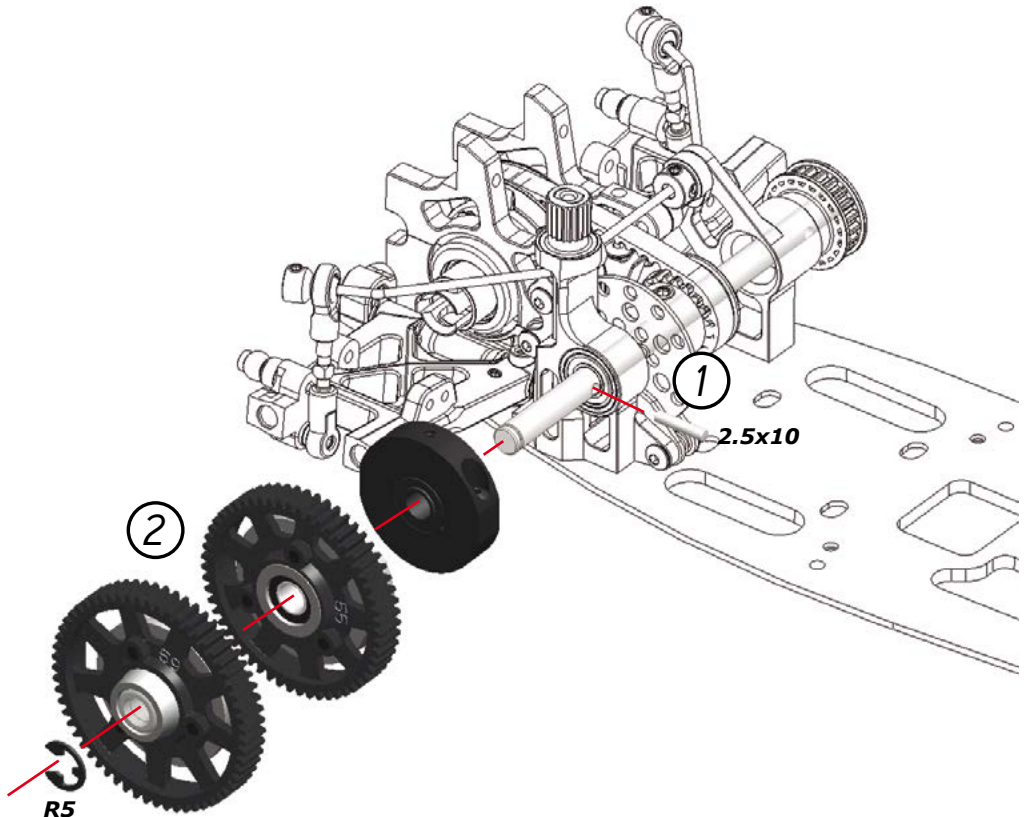
18.2



18.3



STEP
19



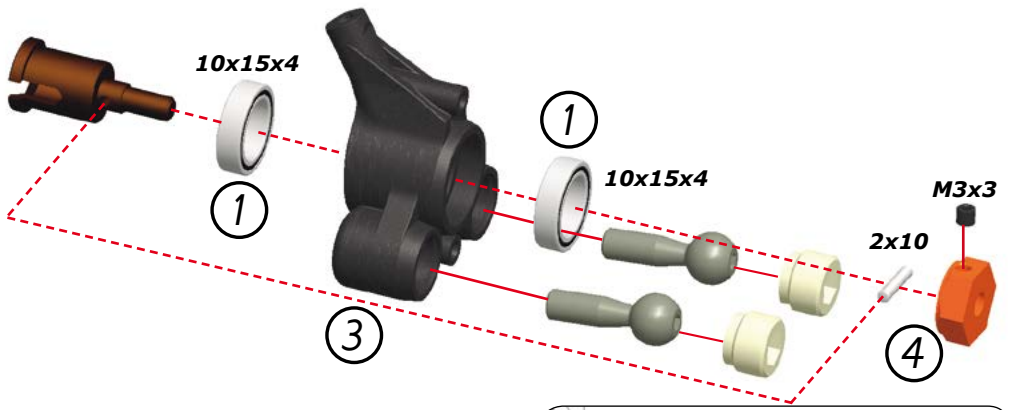
Serpent

Page
10

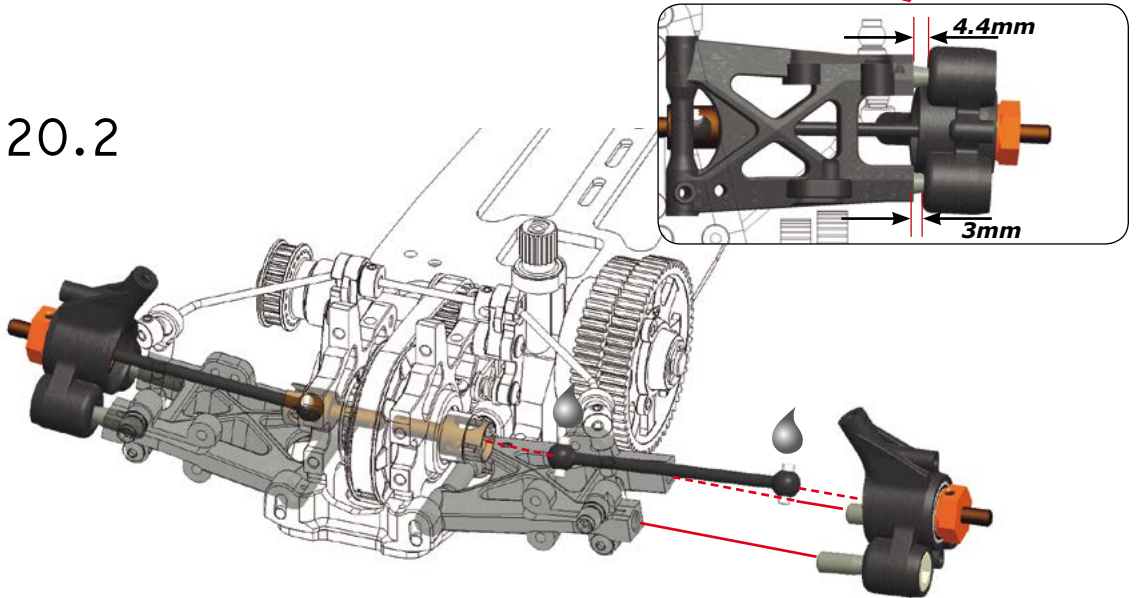
NATRIX 748

IFMAR 70
VICE WORLD CHAMPION

20.1



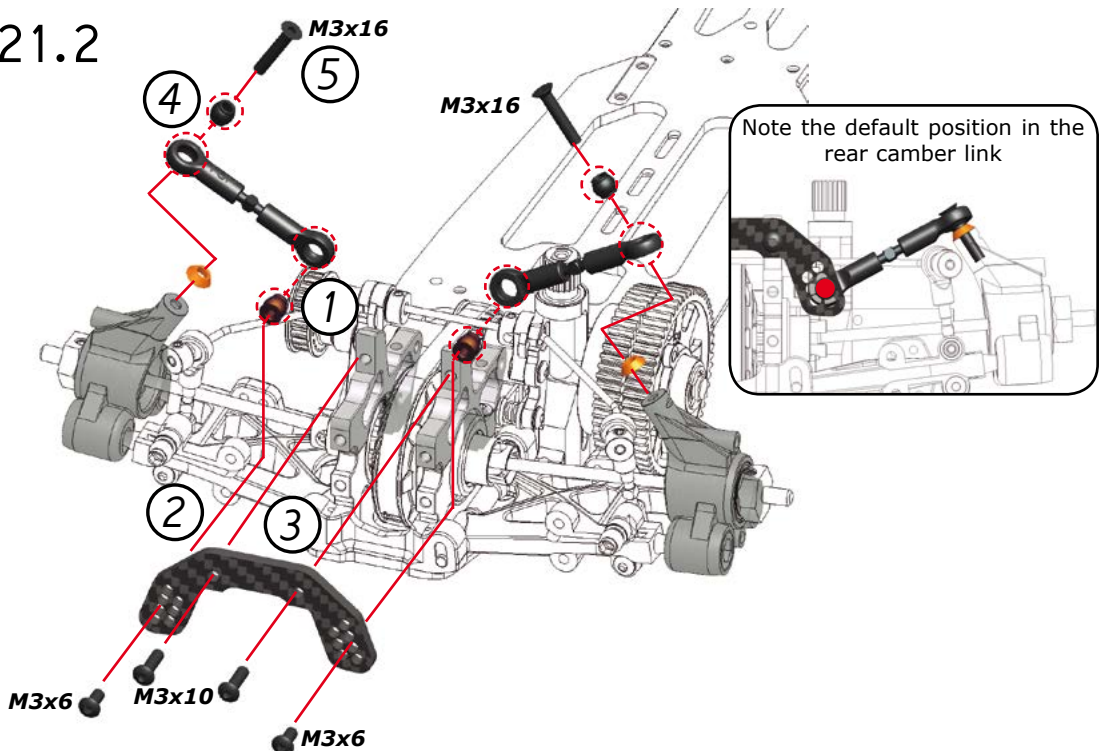
20.2



21.1



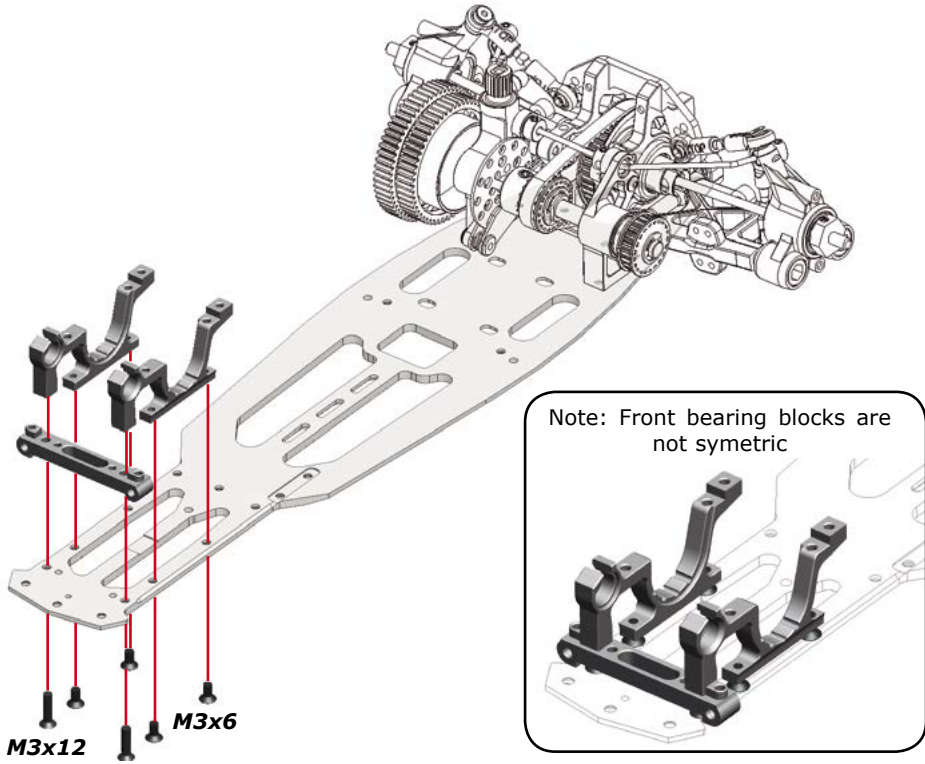
21.2



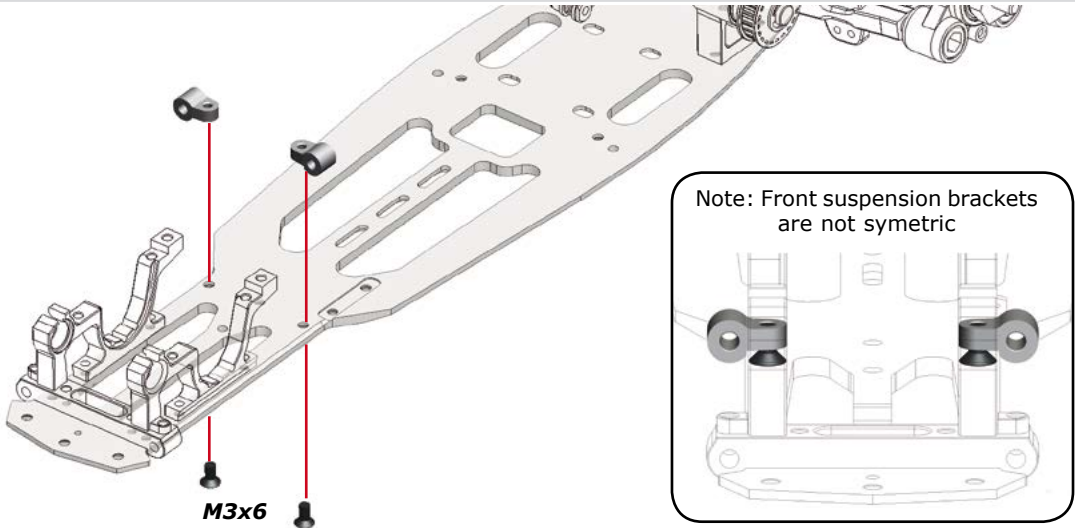
FRONT ASSEMBLY I

STEP
22

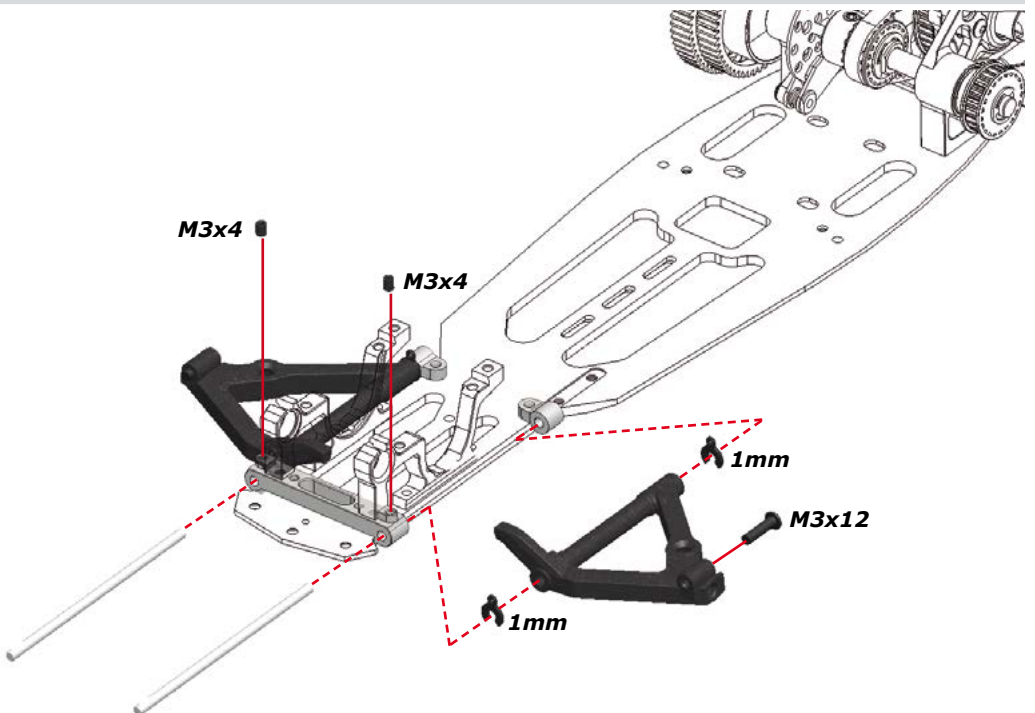
Bag
5



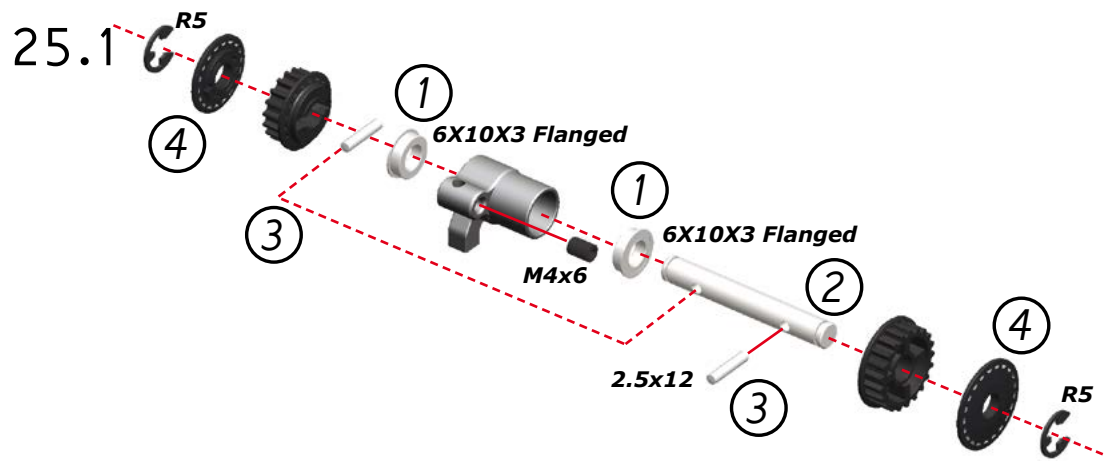
STEP
23



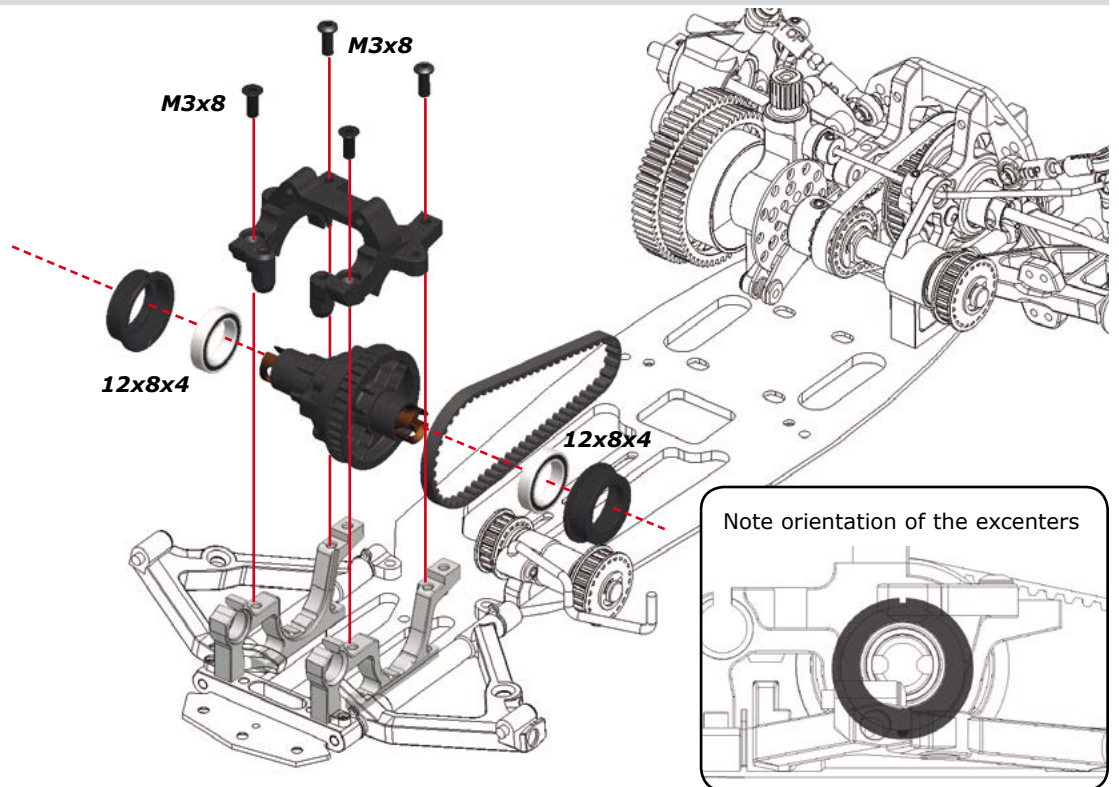
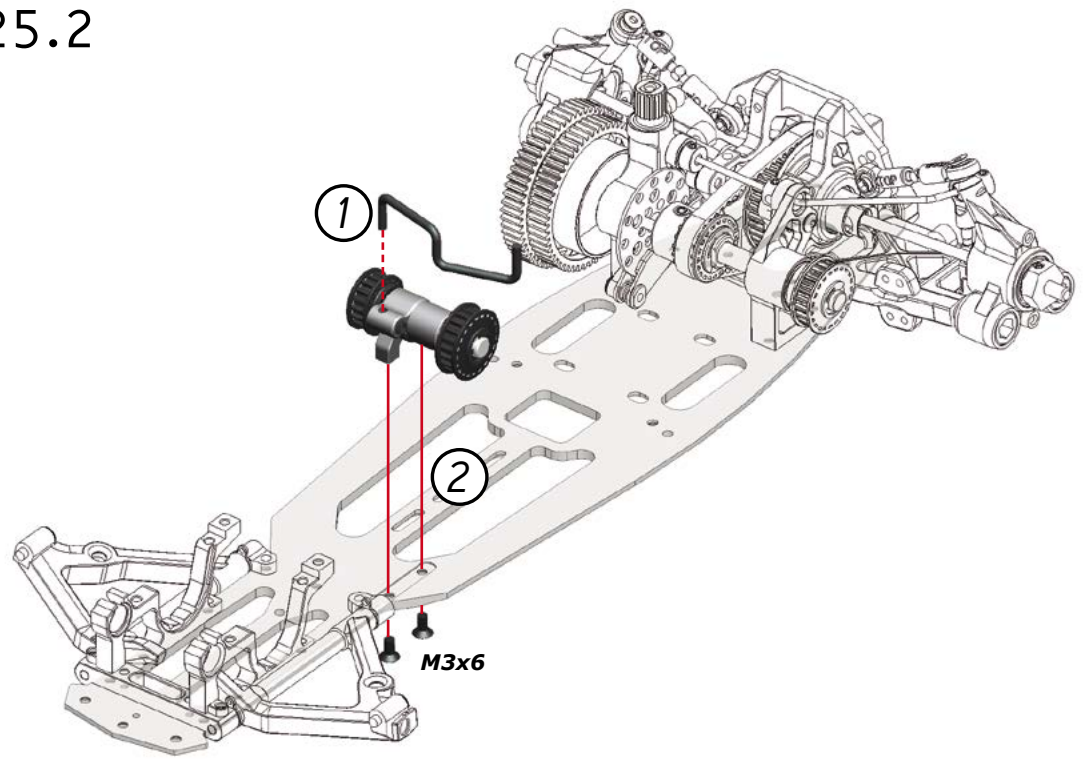
STEP
24

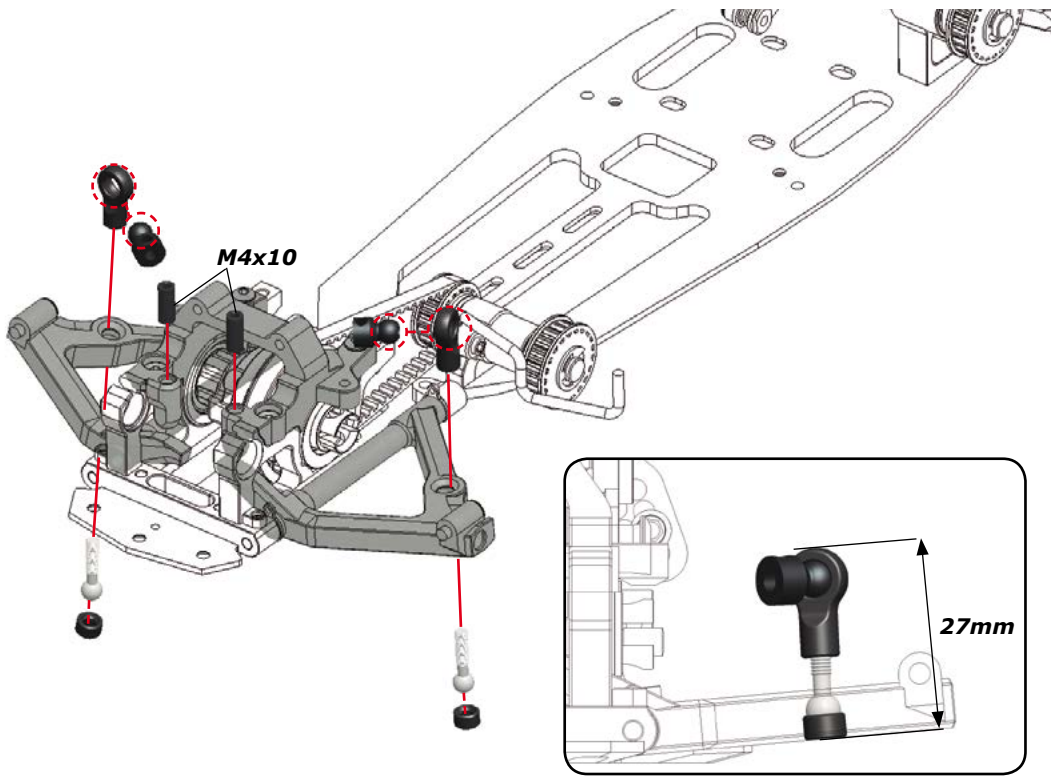


Page
12

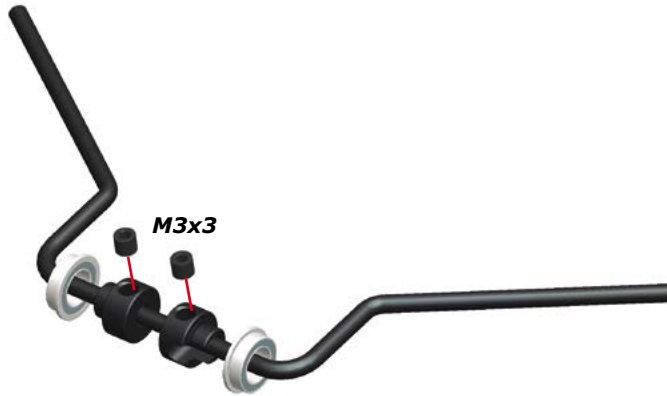


25.2

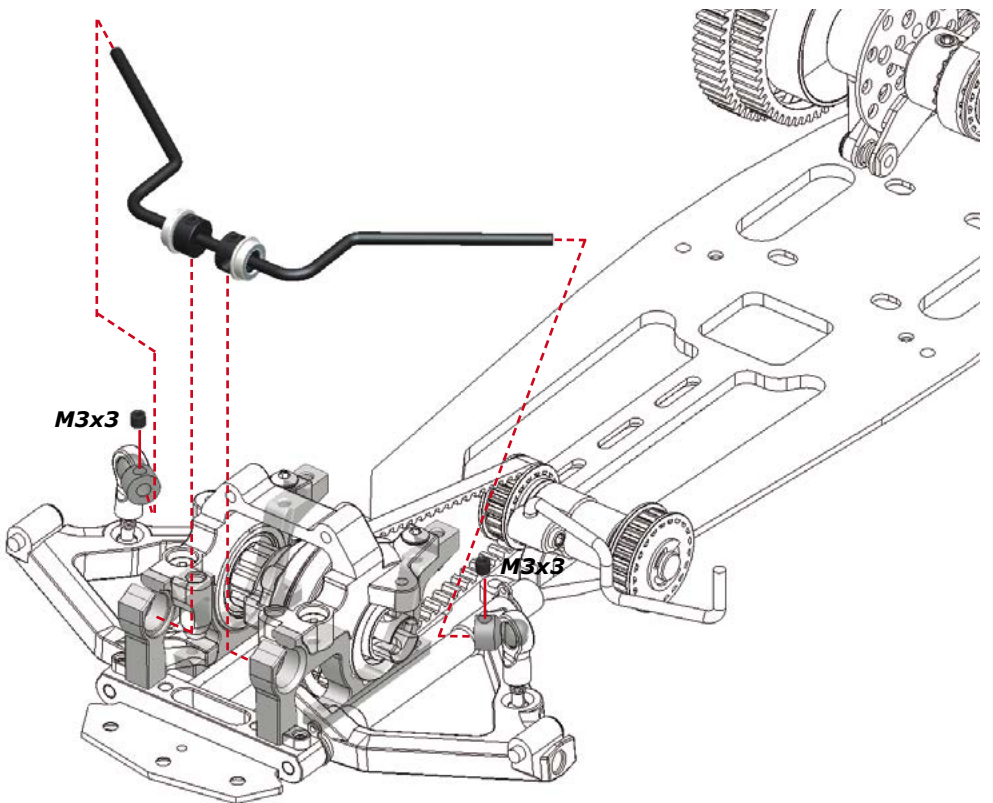




28.1



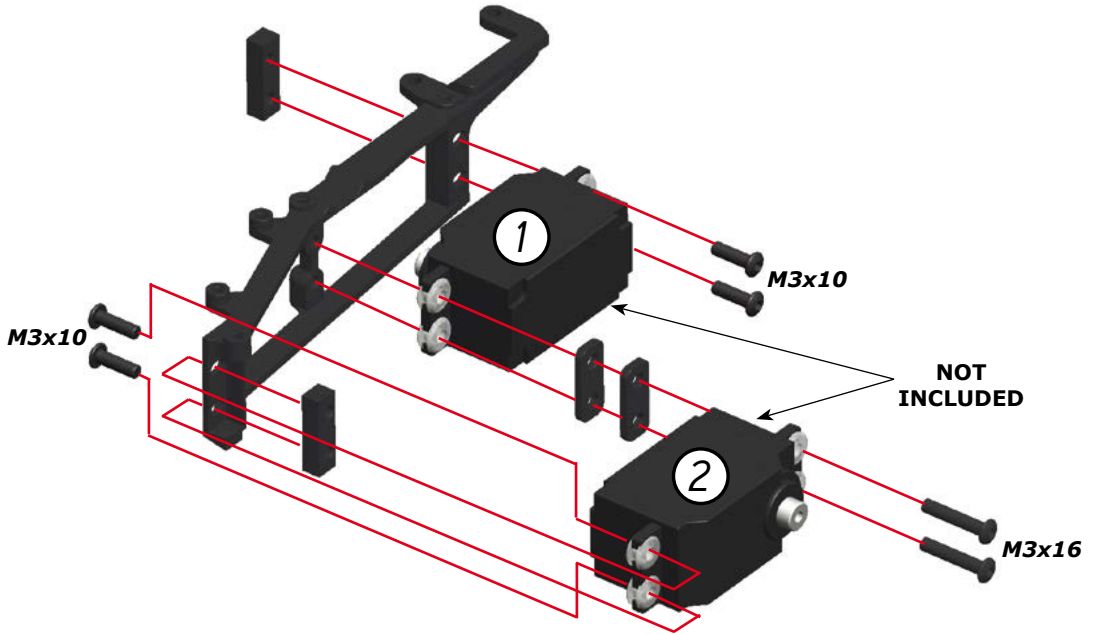
28.2



RADIO ASSEMBLY

STEP
29

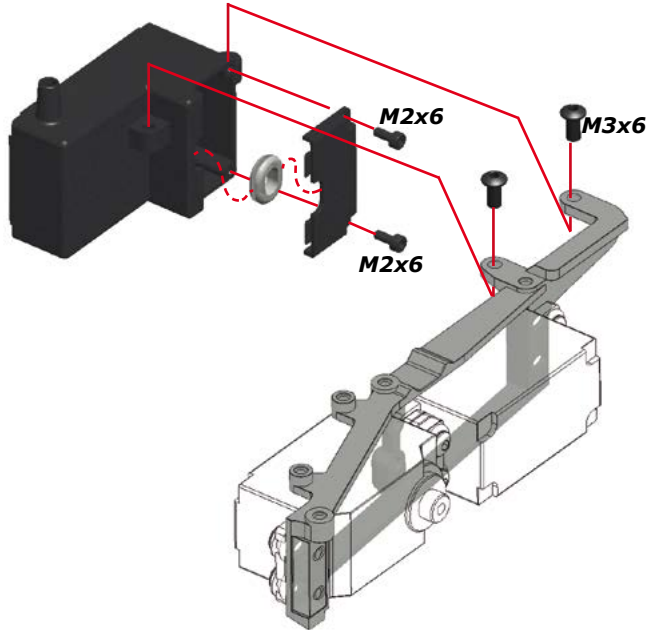
Bag
7



Note the position of the steering servo "ears". Each one is in one side of the radio box.

A close-up diagram of the servo boxes shows two metal "ears" on the side of the servo housing. Red circles highlight the mounting points for these ears, which are used to secure the servo to the chassis.

STEP
30

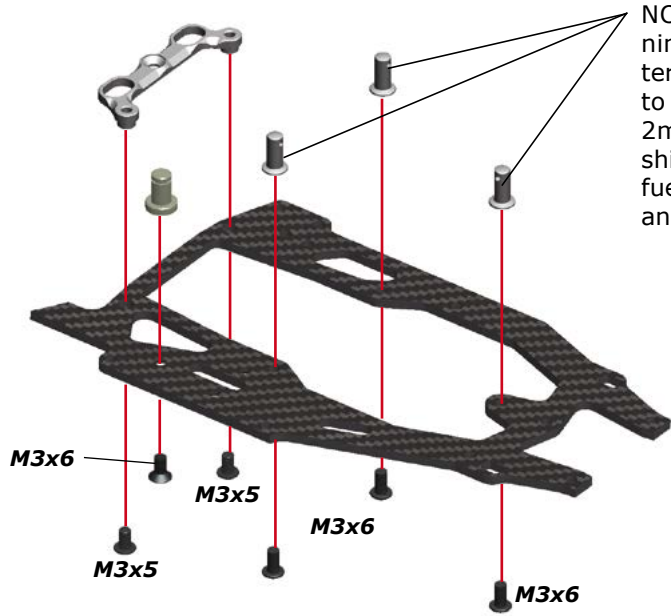


NOTE: Servo's wire diagram

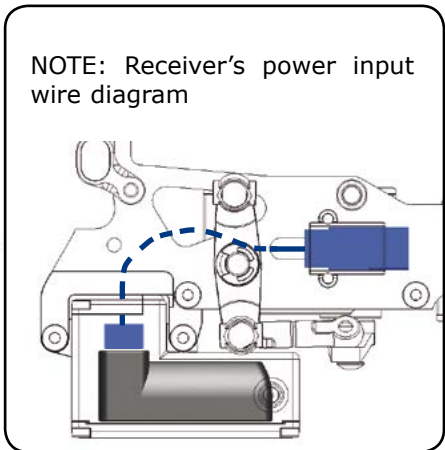
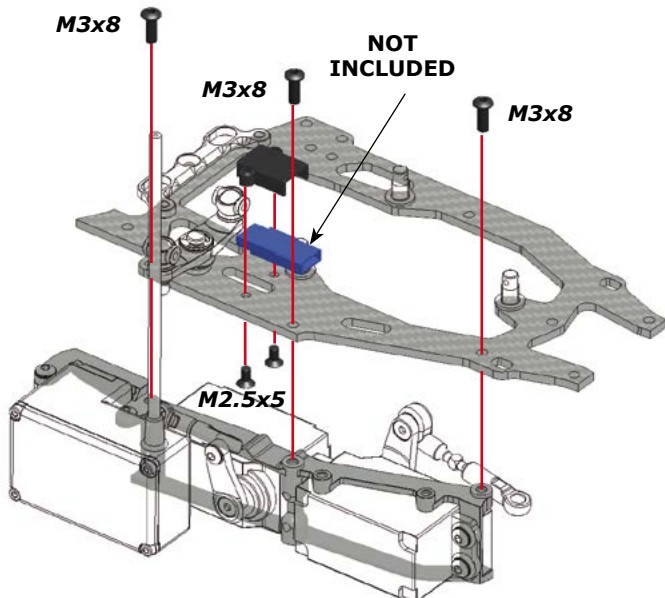
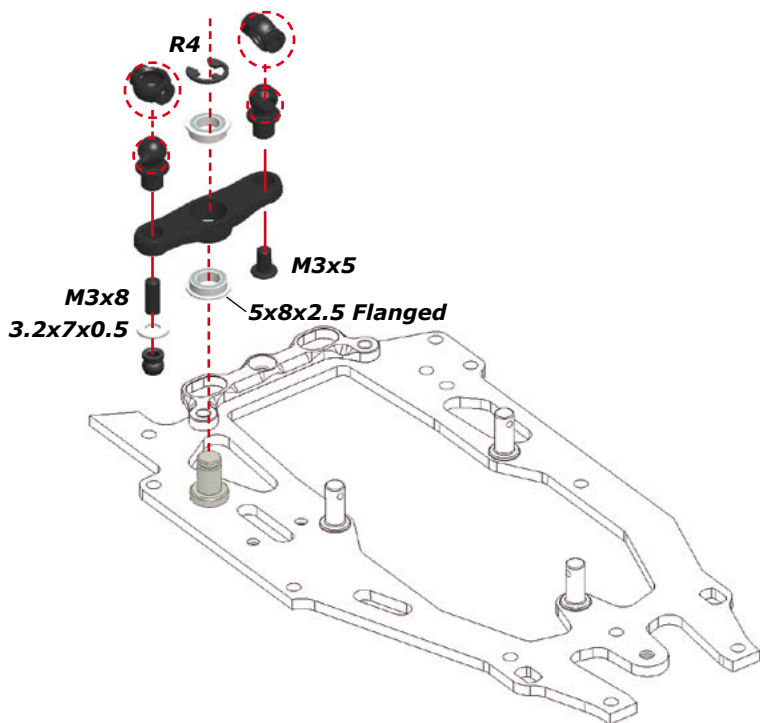
A diagram showing the servo's internal wiring. A blue wire is connected to a blue terminal on the servo's horn. A red wire is connected to a red terminal. A black wire is connected to a black terminal. A small metal pin is shown next to the servo, which is used to secure the servo horn.

quadrant
Serpent

Page
15

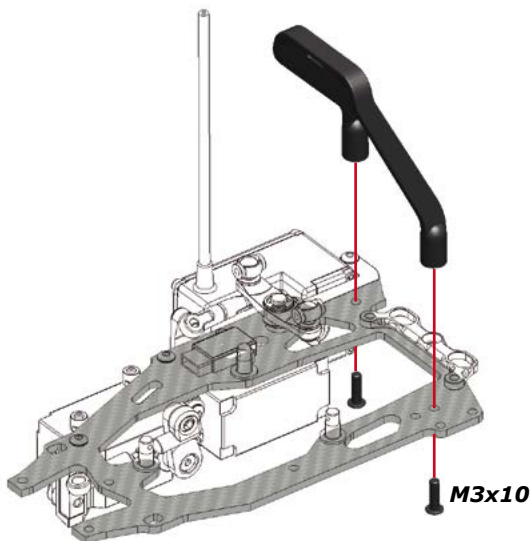


NOTE: For using nimh receiver batteries it is needed to raise the fuel tank 2mm adding 2mm shims between the fuel tank mountings and the radio plate.



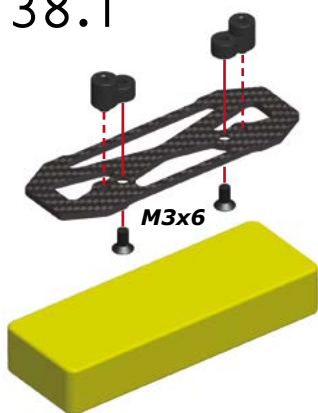
NOTE: Receiver's power input wire diagram

STEP
37

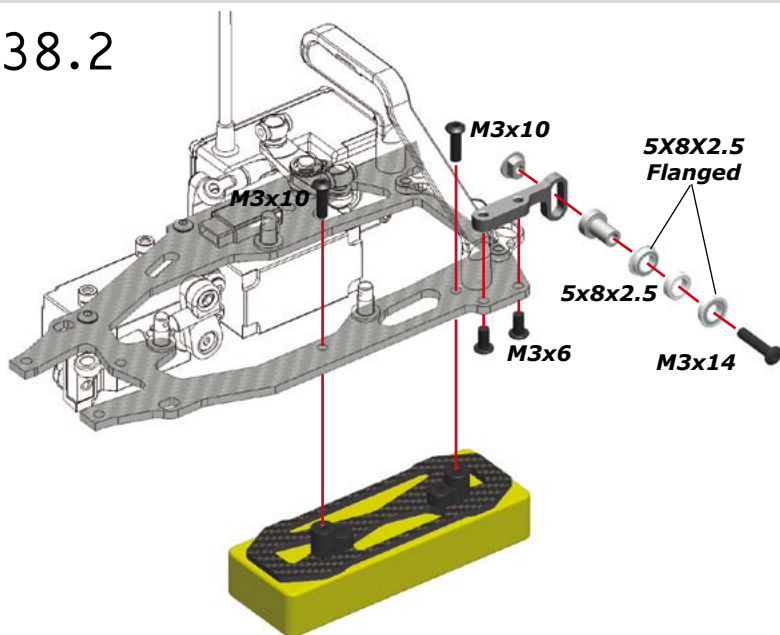


STEP
38

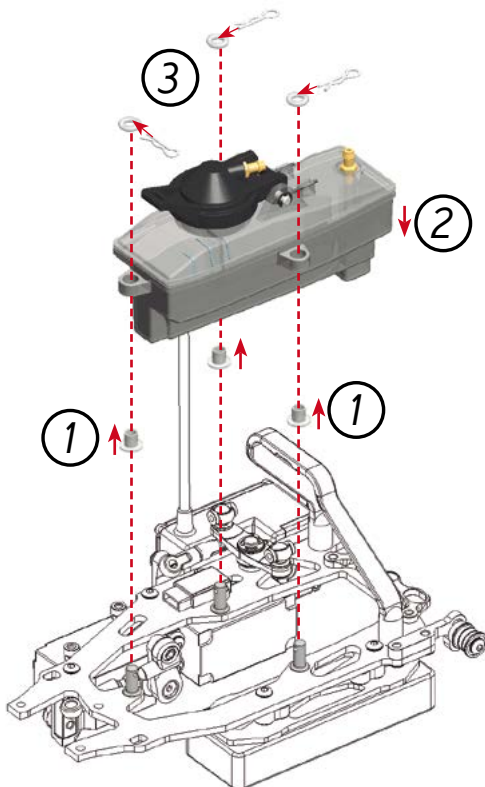
38.1



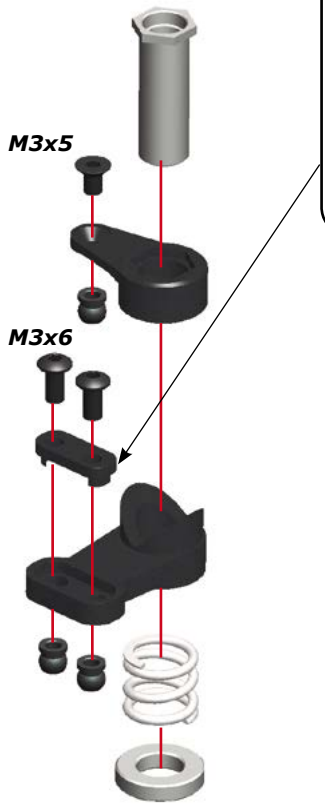
38.2



STEP
39



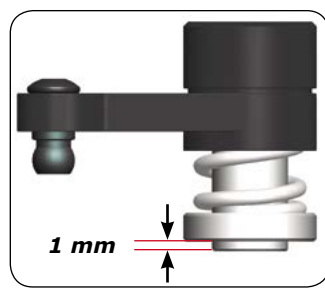
40.1



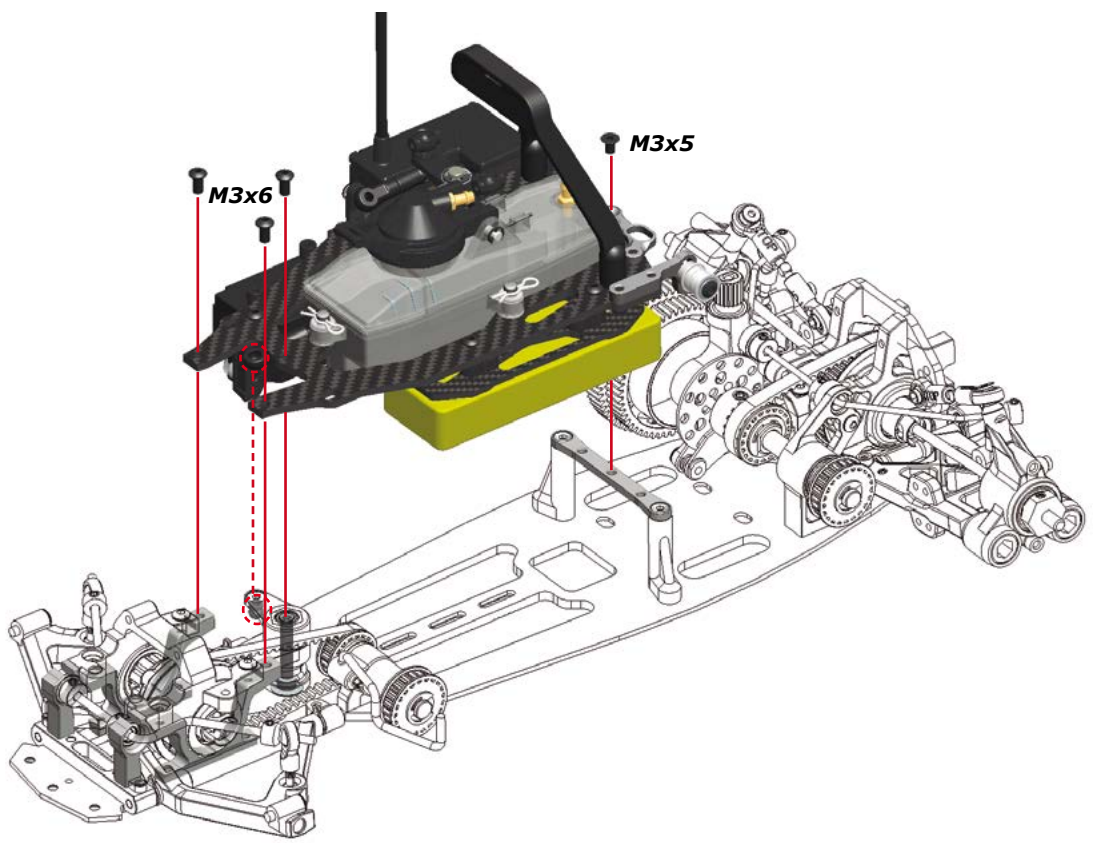
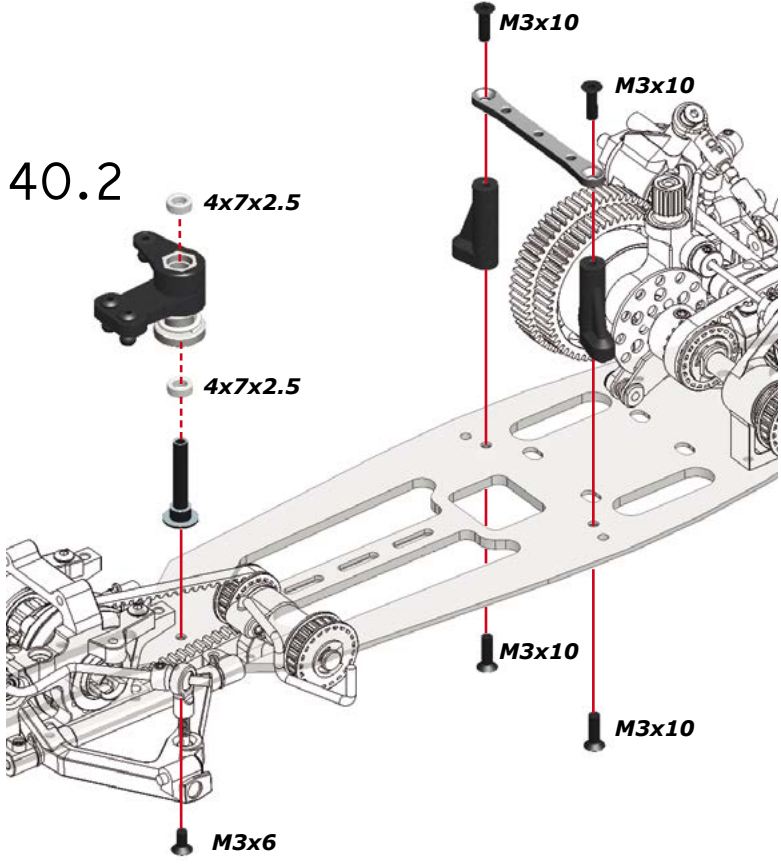
Servosaver ackerman inserts

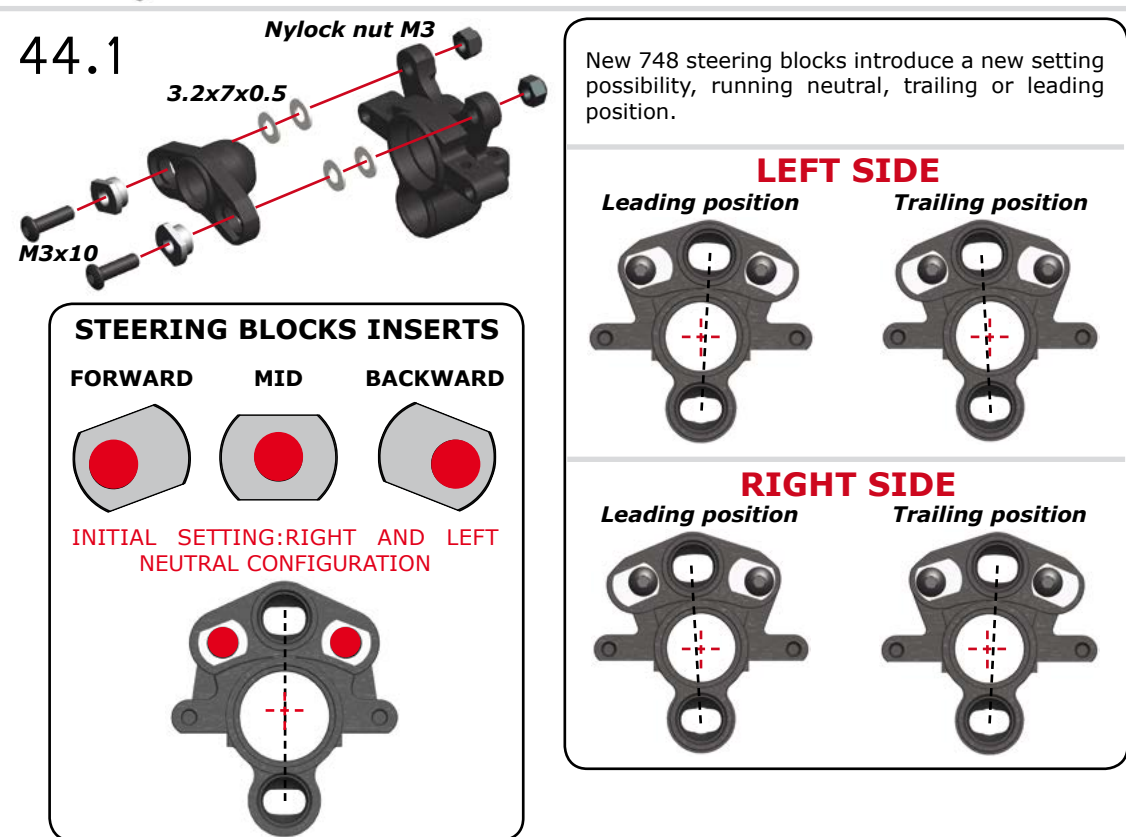
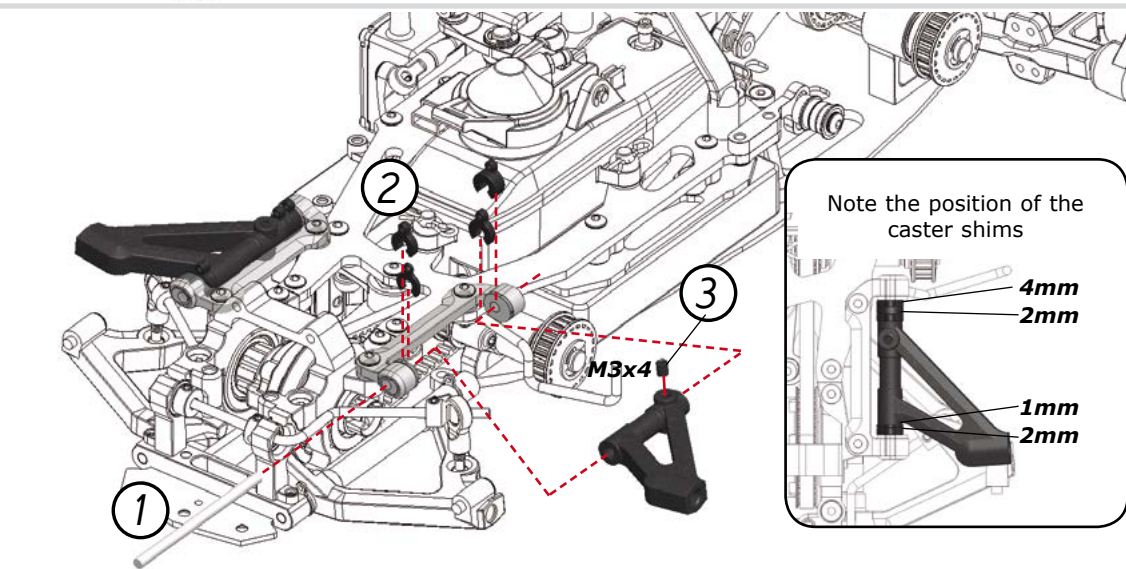
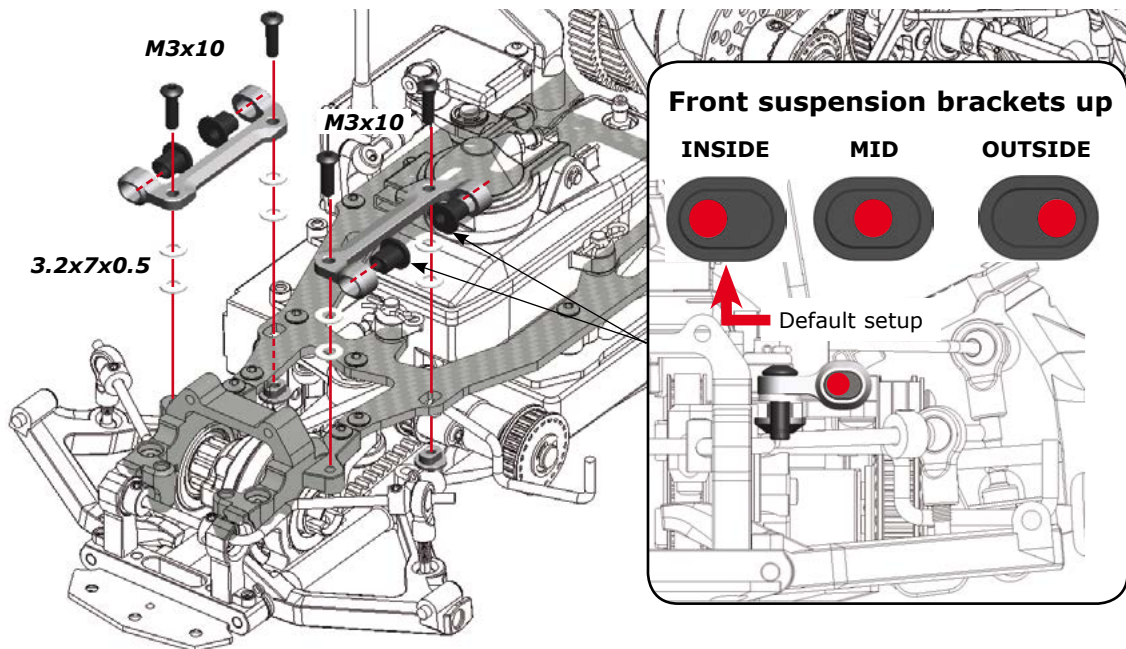
| FORWARD NARROW | REARWARD NARROW | FORWARD WIDE | REARWARD WIDE |
|----------------|-----------------|--------------|---------------|
| | | | |

Default setup

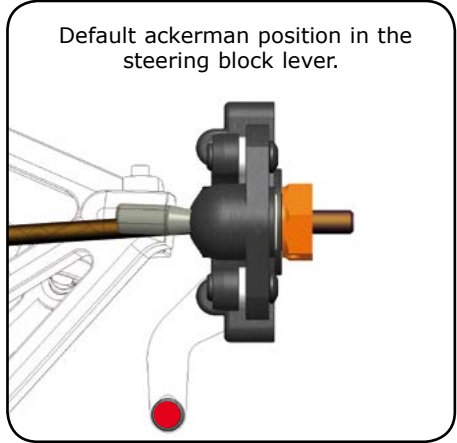
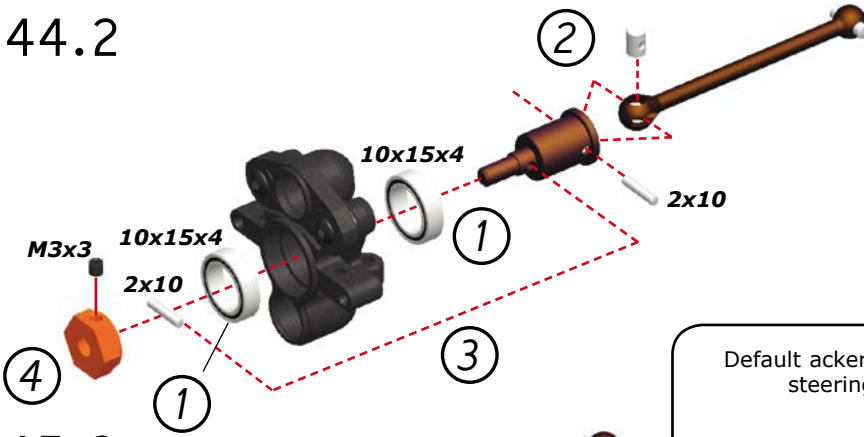


40.2

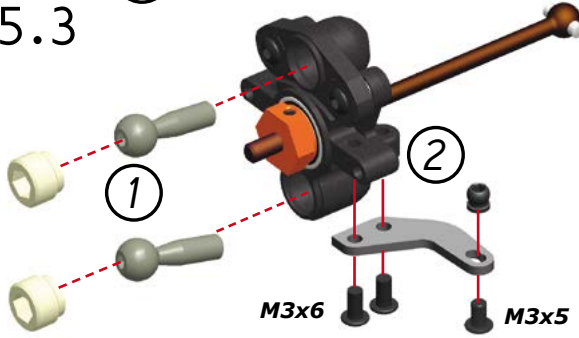




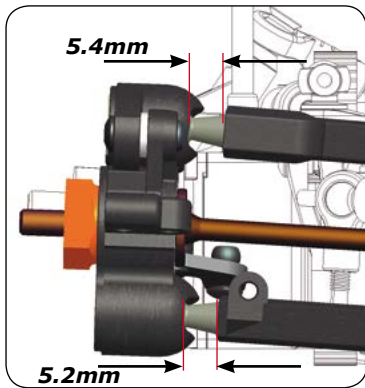
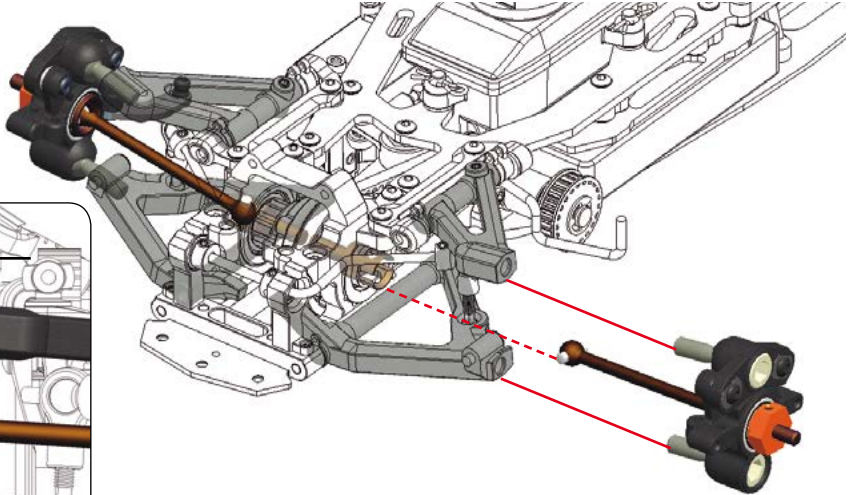
44.2



45.3



STEP 45

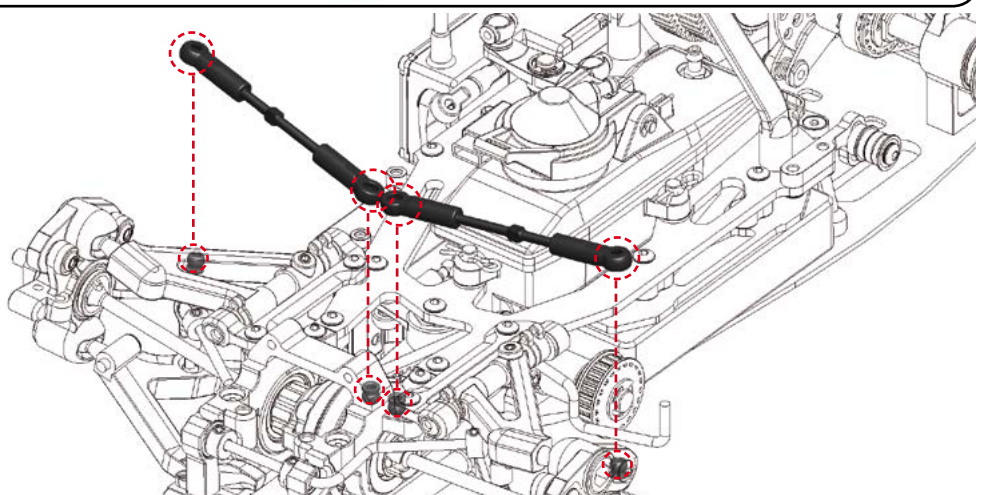


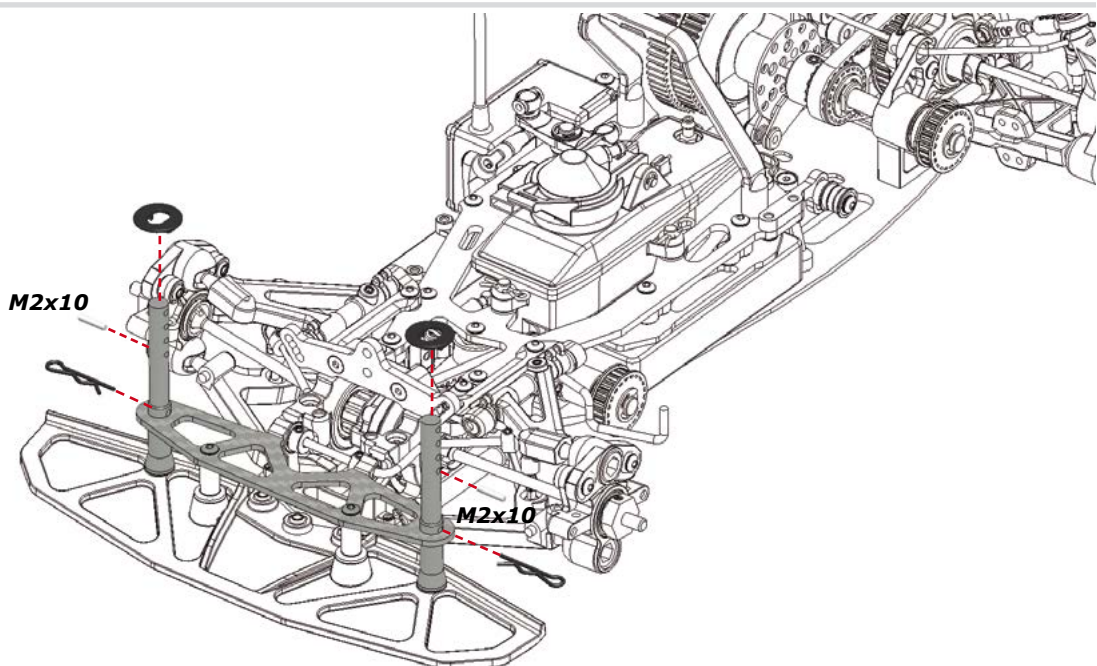
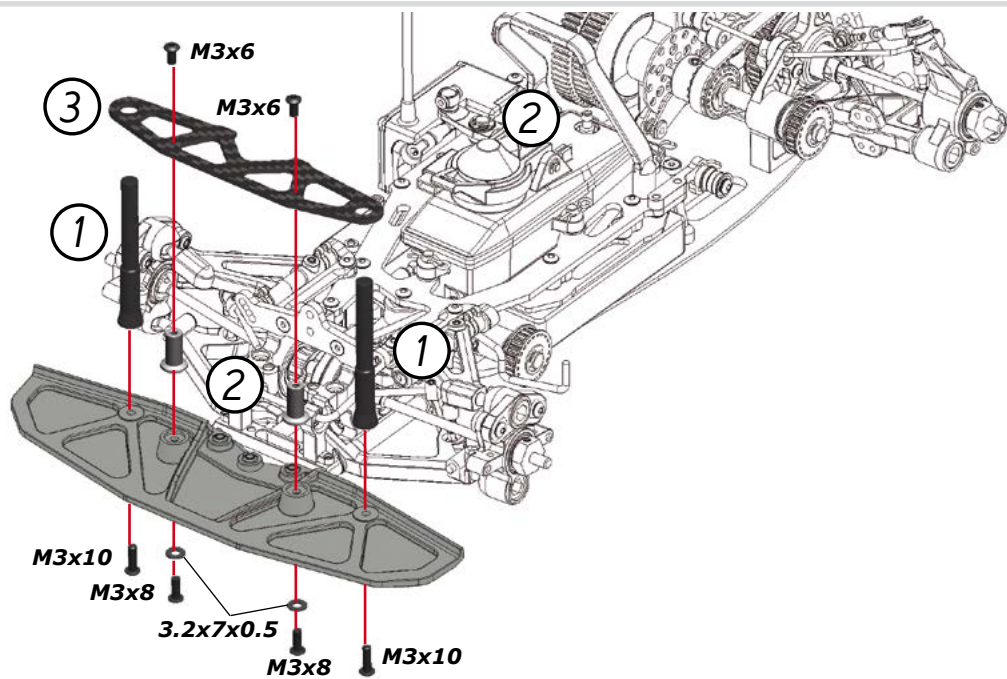
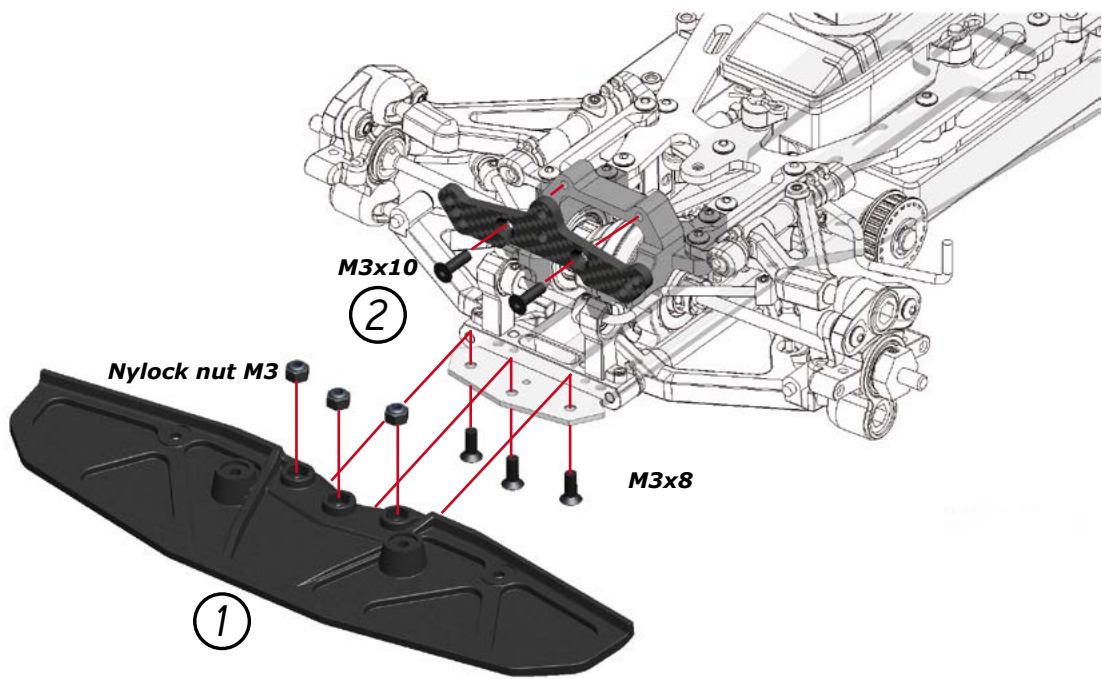
STEP 46

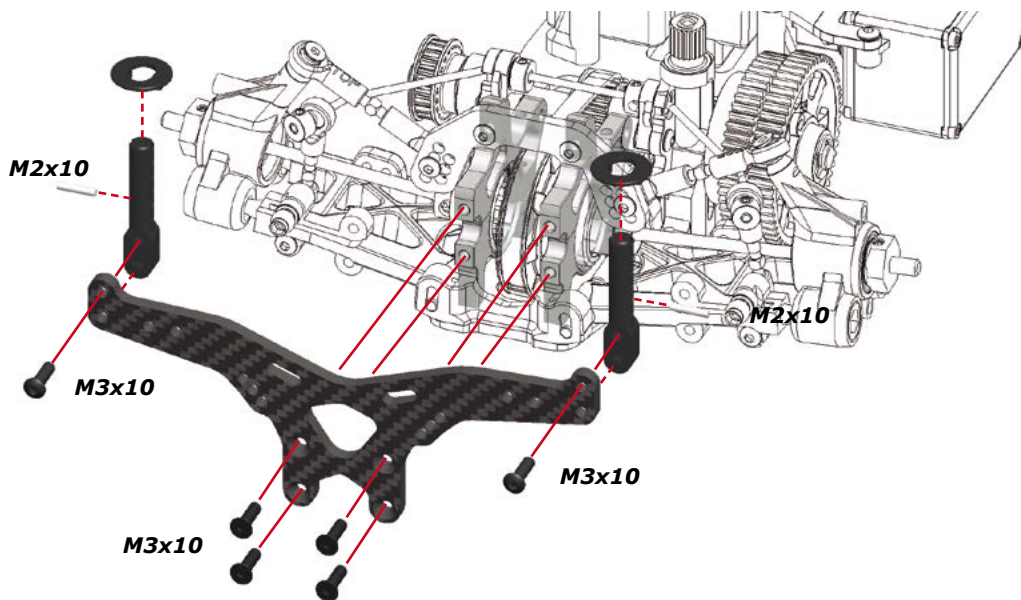
46.1



46.2

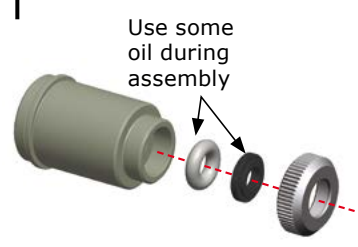




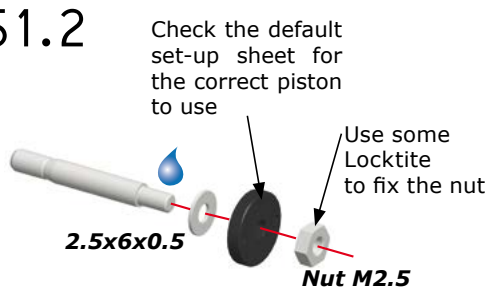


RCM SHOCK ASSEMBLY

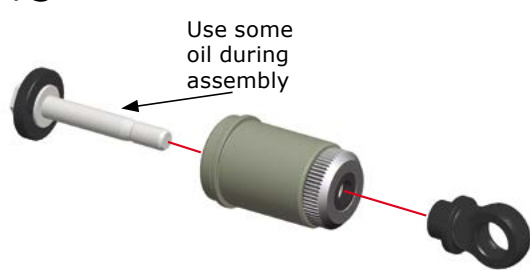
51.1



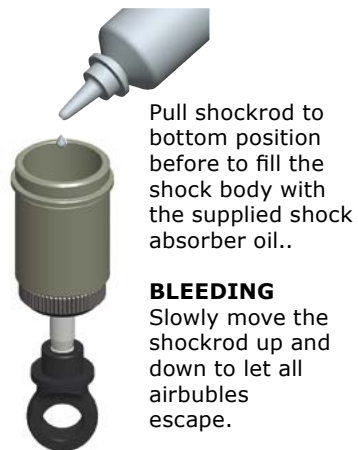
51.2



51.3



51.4



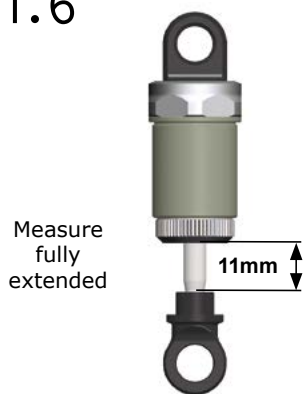
51.5



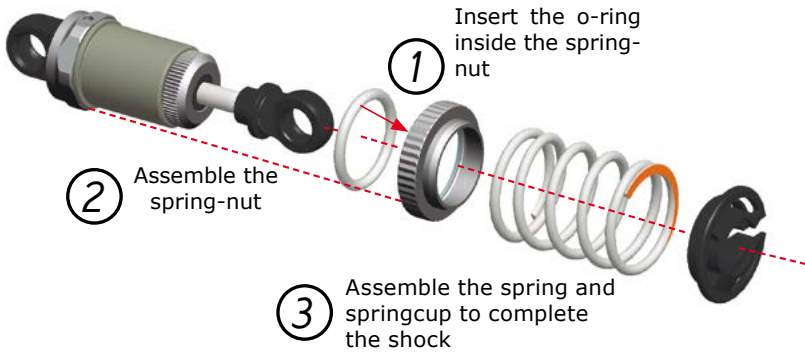
After assembly ensure you can push the piston all the way in (top of balljoint should hit the shock-bottom). If not, re-open the shock and let some oil bleed out, and repeat the steps.

Allow some 'rebound' on the shockshaft, around 4mm is normal.

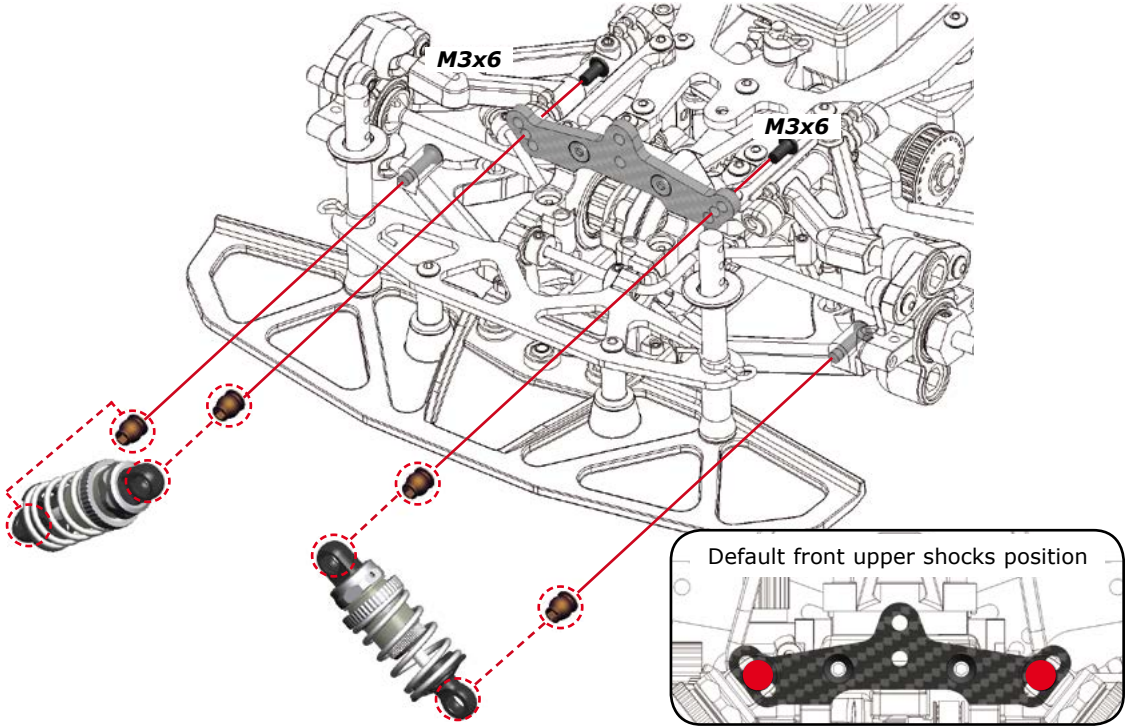
51.6



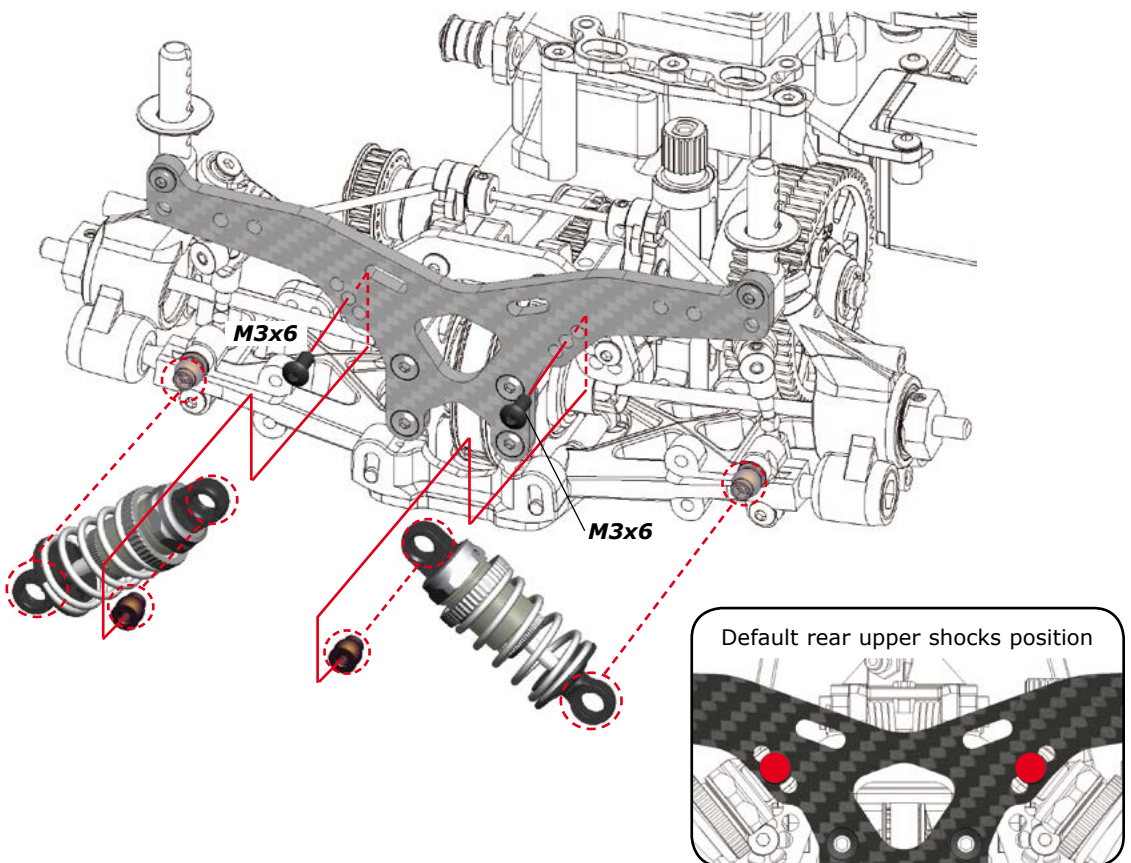
51.7



STEP 52



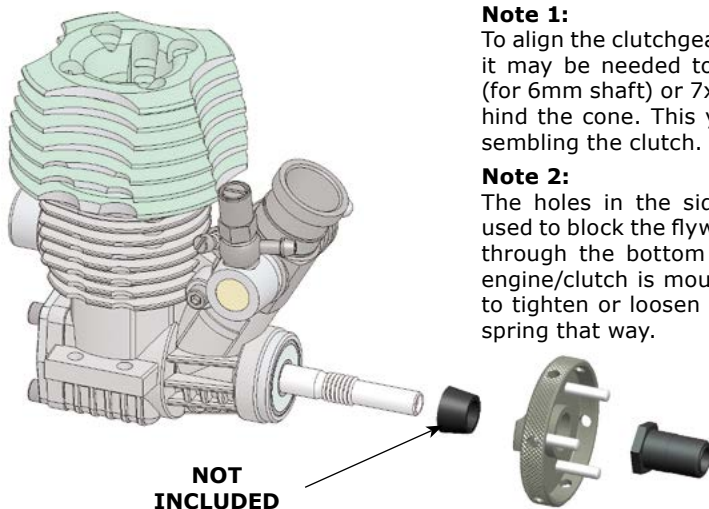
STEP 53



CLUTCH ASSEMBLY

STEP
54

54.1



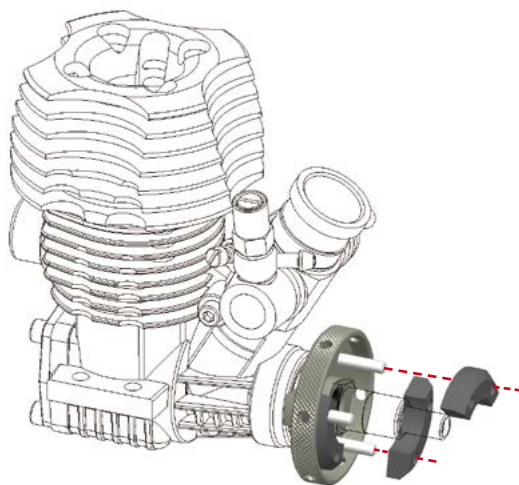
Note 1:

To align the clutchgears with the 2-speed gears, it may be needed to use shim(s) 6x8x0.5mm (for 6mm shaft) or 7x8x0.5 (for 7mm shaft) behind the cone. This you can see only after assembling the clutch.

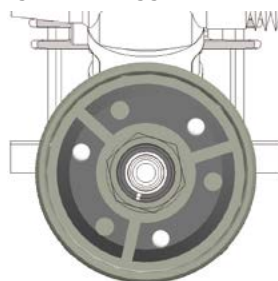
Note 2:

The holes in the side of the flywheel can be used to block the flywheel (with short allen tool) through the bottom of the chassis, when the engine/clutch is mounted in the car. It's easier to tighten or loosen the pre-load on the clutch spring that way.

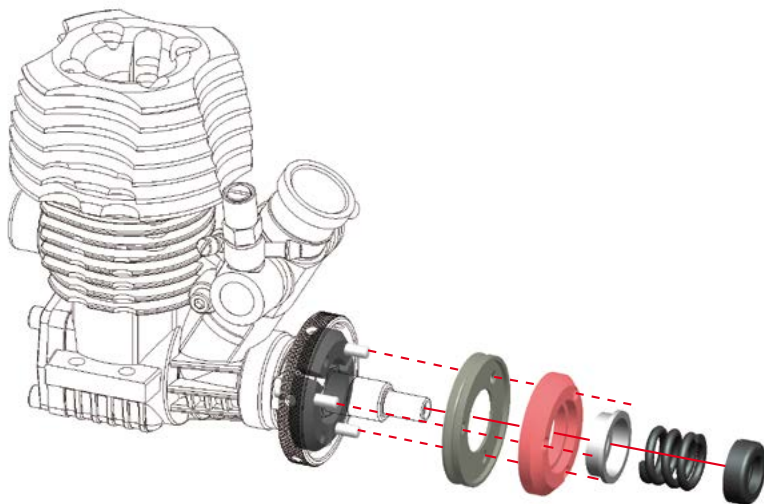
54.2



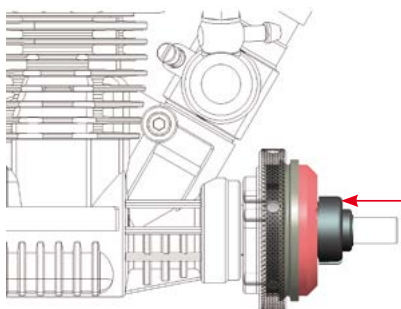
Note the orientation of the flyweights. Use the right hole for having a more aggressive clutch



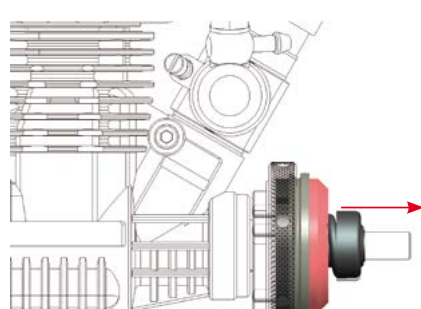
54.3



Screw in the adjusting nut all the way



Unscrew one and a half turns

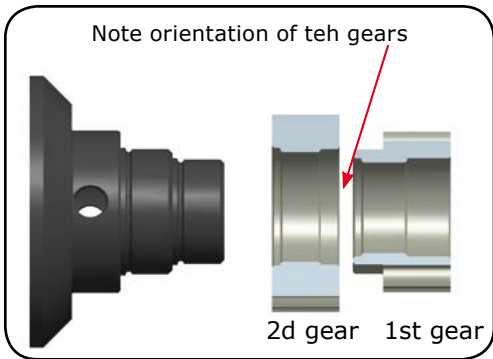
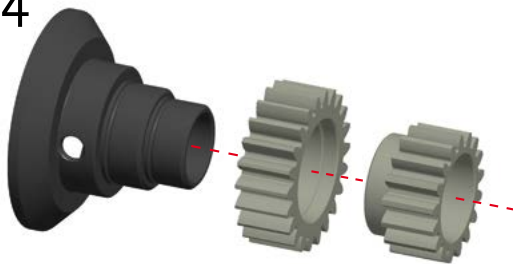


Bag
13

quattro
Serpent

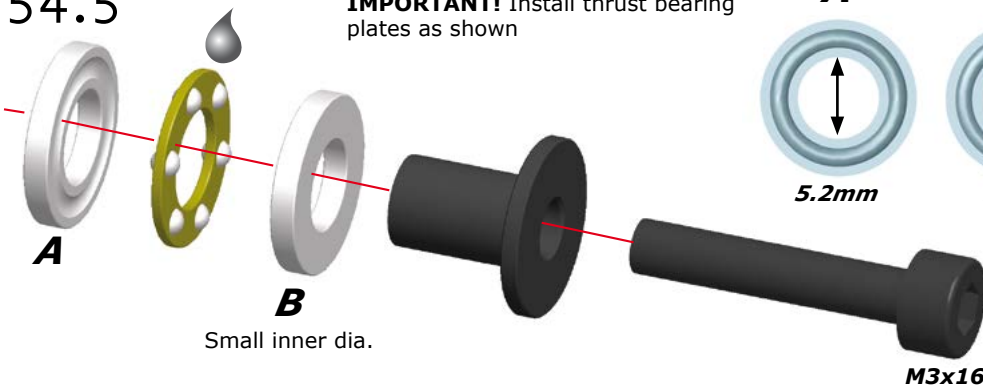
Page
25

54.4



54.5

IMPORTANT! Install thrust bearing plates as shown

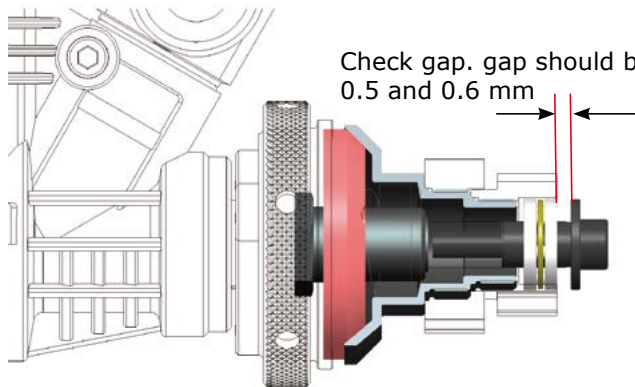


Small inner dia.

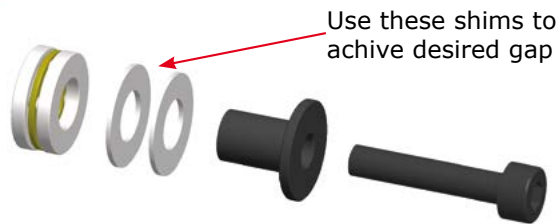
M3x16

54.6

SETTING THE CLUTCH GAP



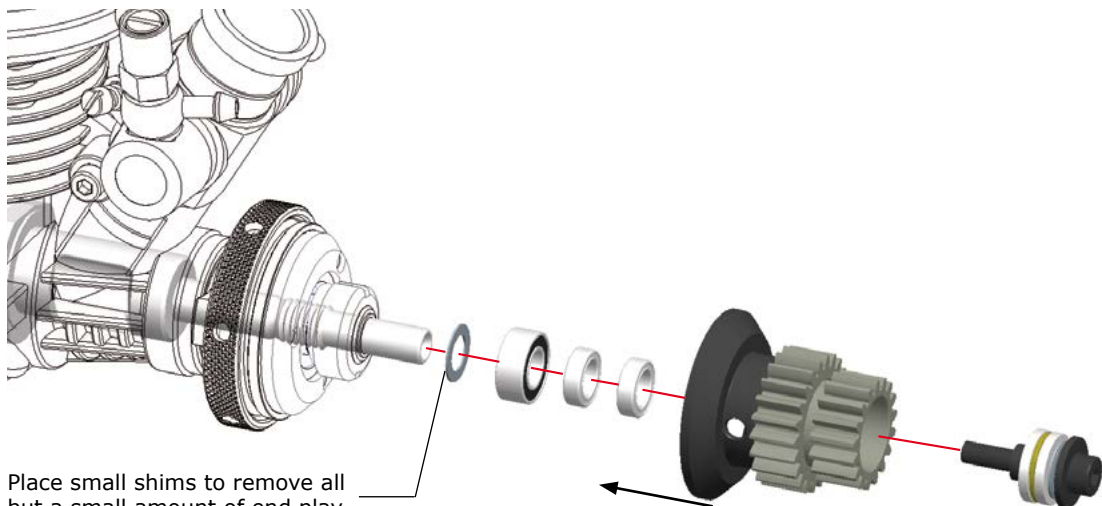
Check gap. gap should be between 0.5 and 0.6 mm



Use these shims to achive desired gap

54.7

ADJUSTING THE END PLAY



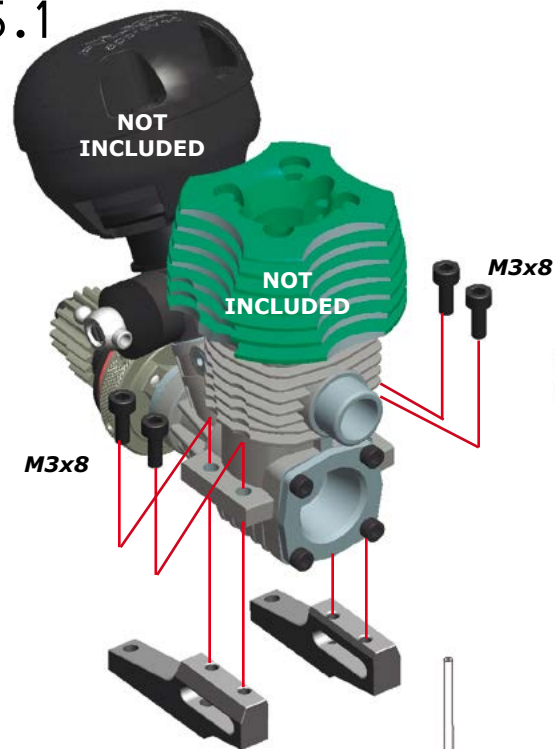
Place small shims to remove all but a small amount of end play

FINAL ASSEMBLY

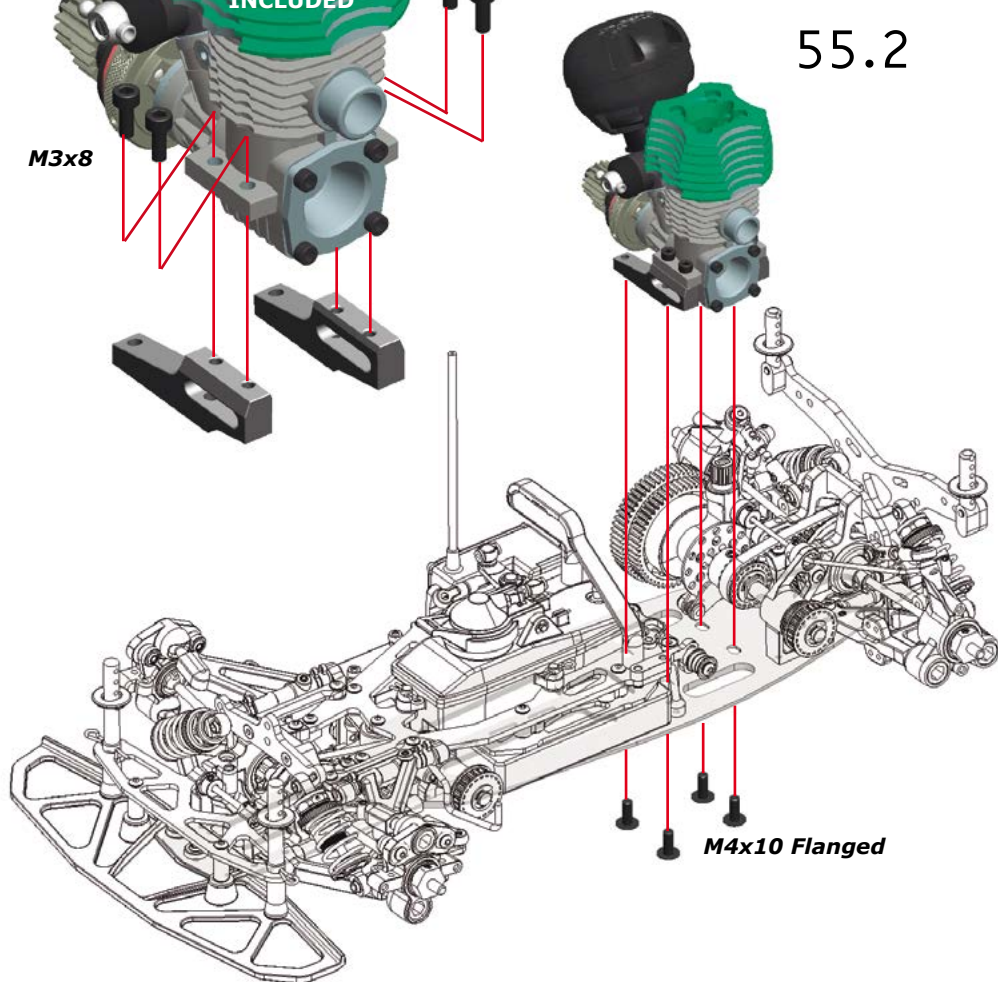
STEP
55

Bag
14

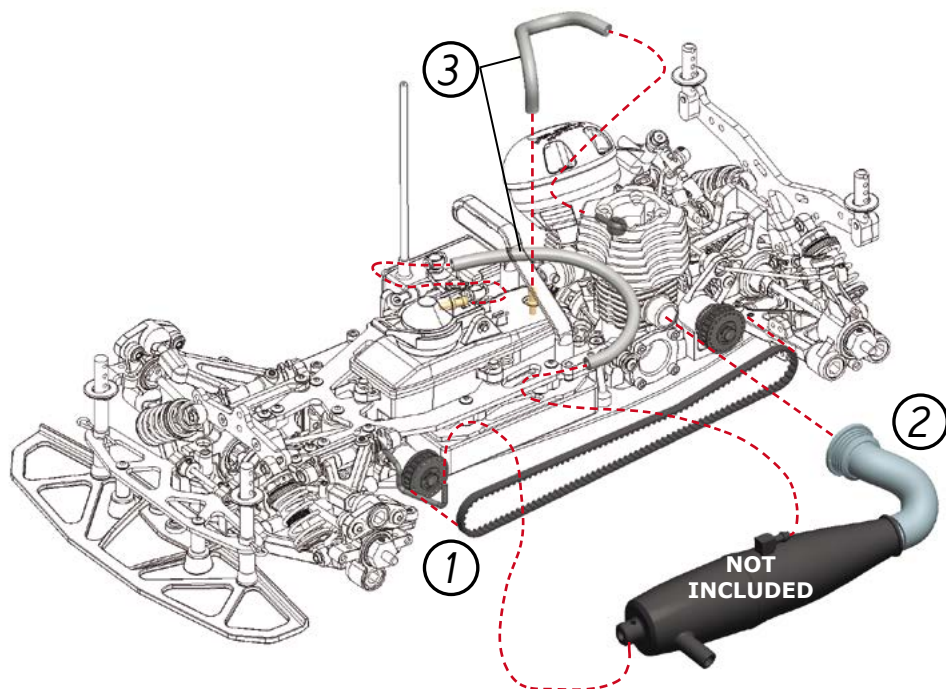
55.1



55.2

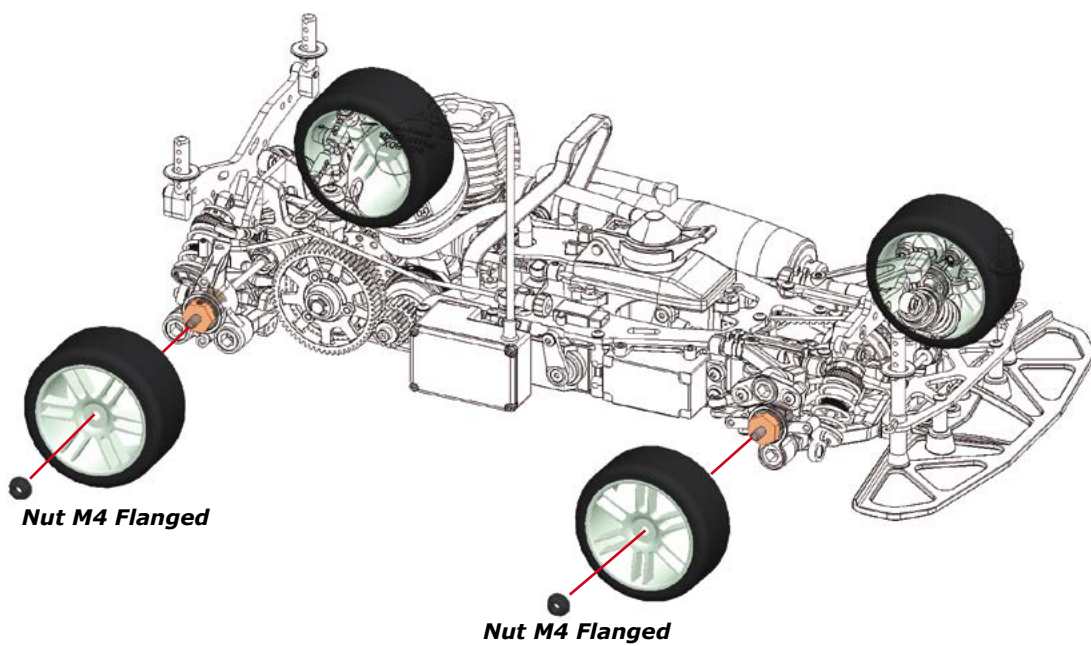
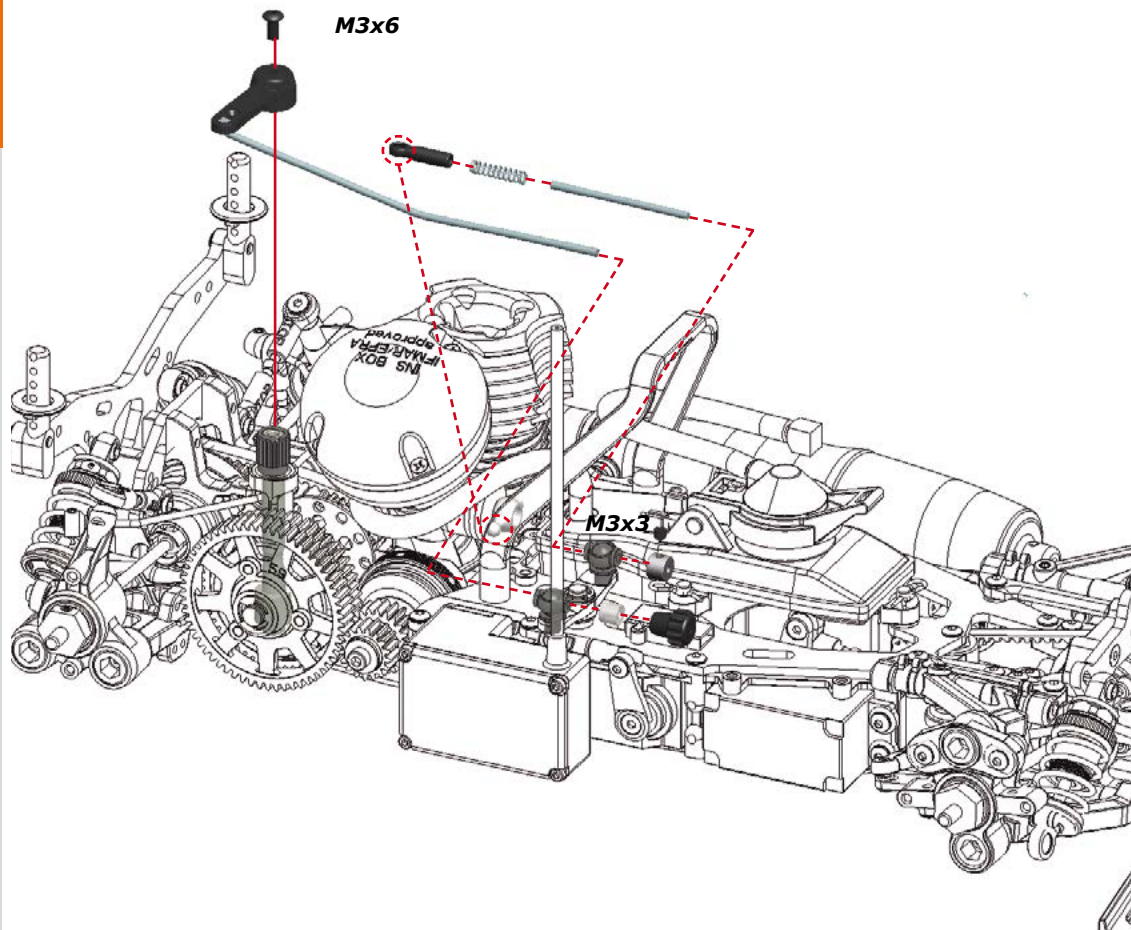


STEP
56



Serpent

Page
27



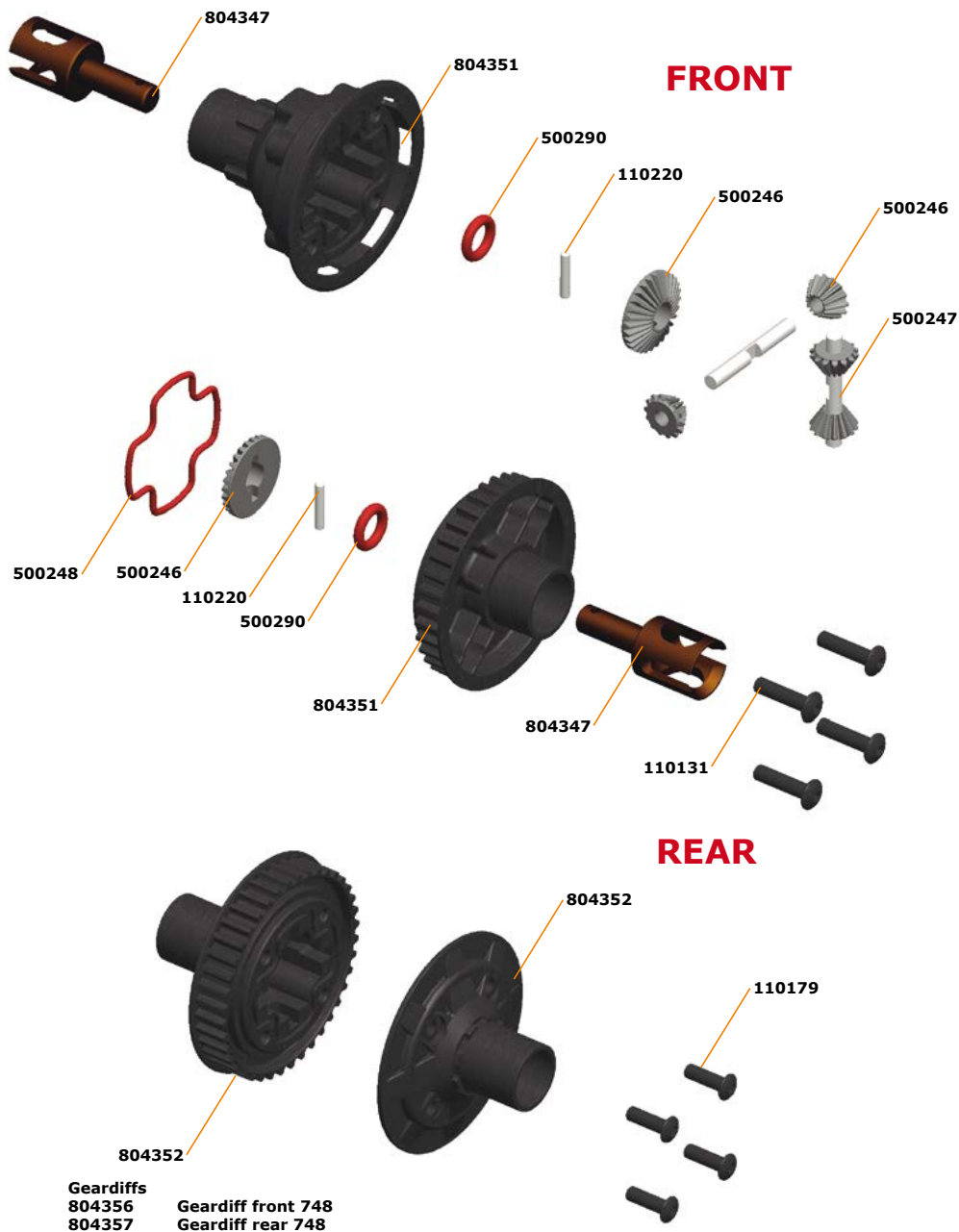
REF GUIDE:

EXPLODED VIEWS and PARTS-LIST

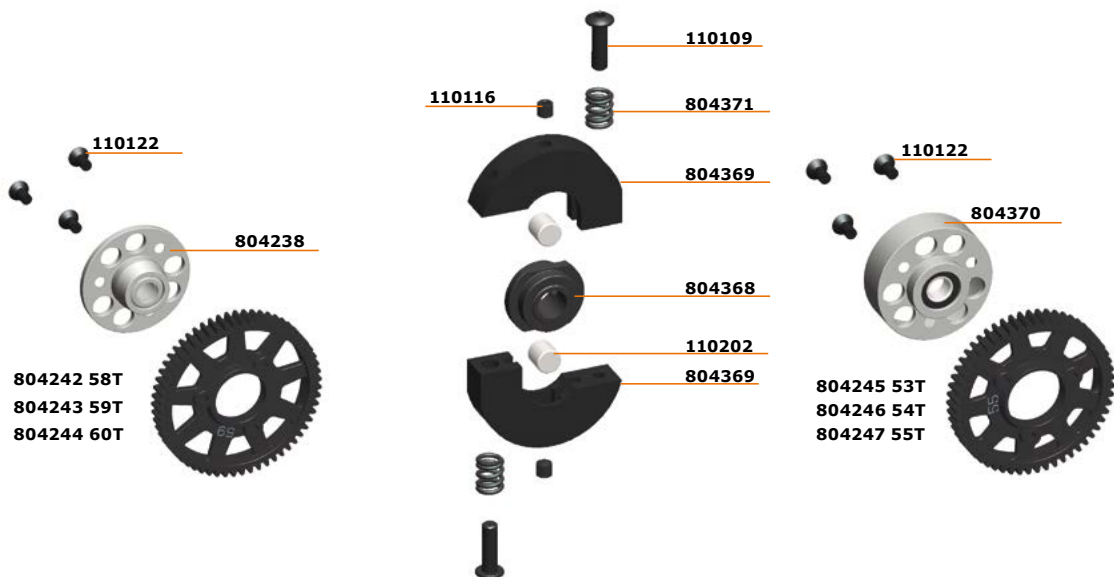
Contents

| | |
|-------------------------------------|-----------|
| DIFF & GEARBOX ASSEMBLY | 30 |
| REAR ASSEMBLY | 31 |
| RADIO ASSEMBLY | 32 |
| FRONT ASSEMBLY I | 33 |
| FRONT ASSEMBLY II | 34 |
| SHOCKS & CLUTCH ASSEMBLY | 35 |
| FINAL ASSEMBLY I | 36 |
| FINAL ASSEMBLY II | 37 |
| PARTS-LIST | 38 |

FR/RR DIFF ASSEMBLY

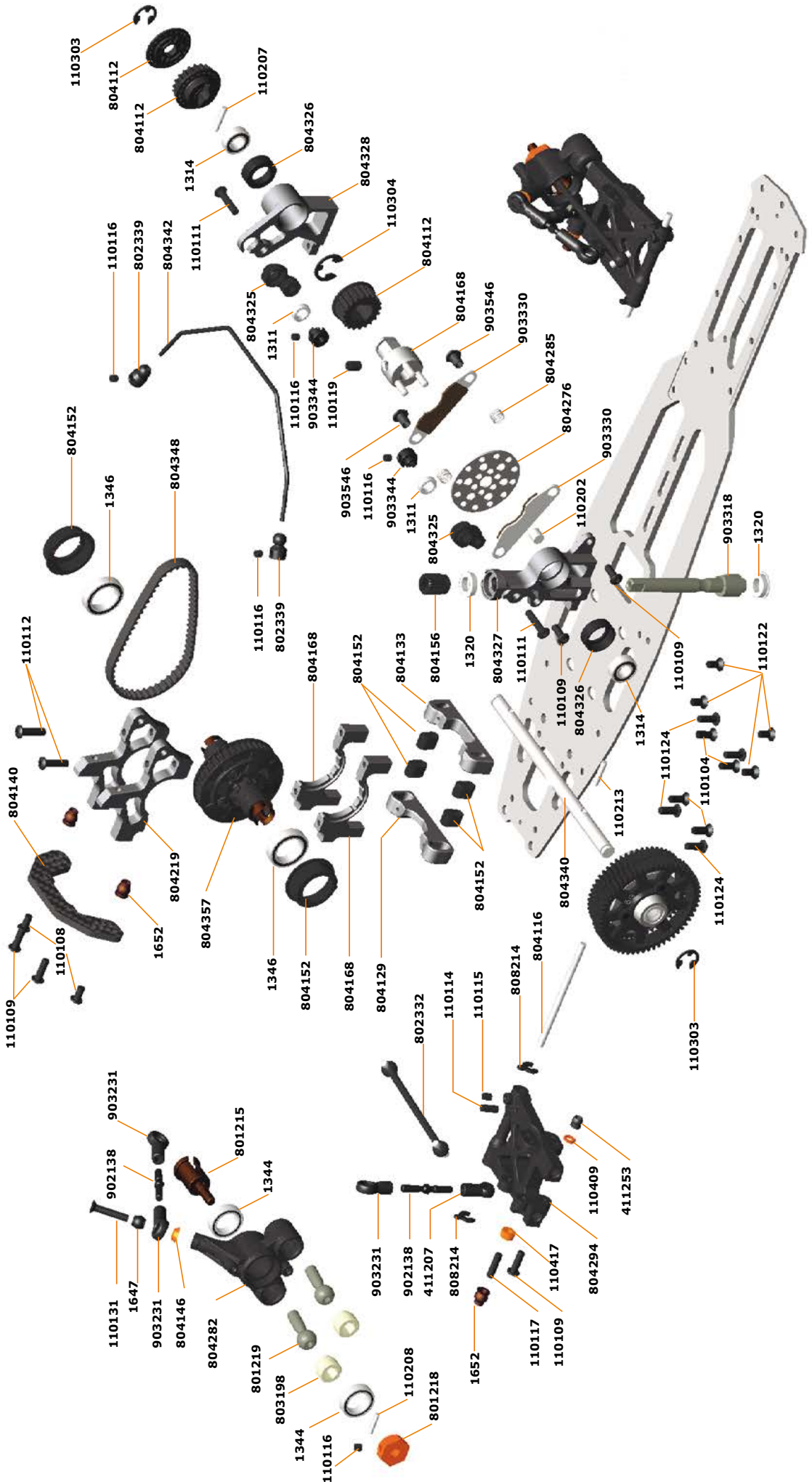


GEARBOX ASSEMBLY

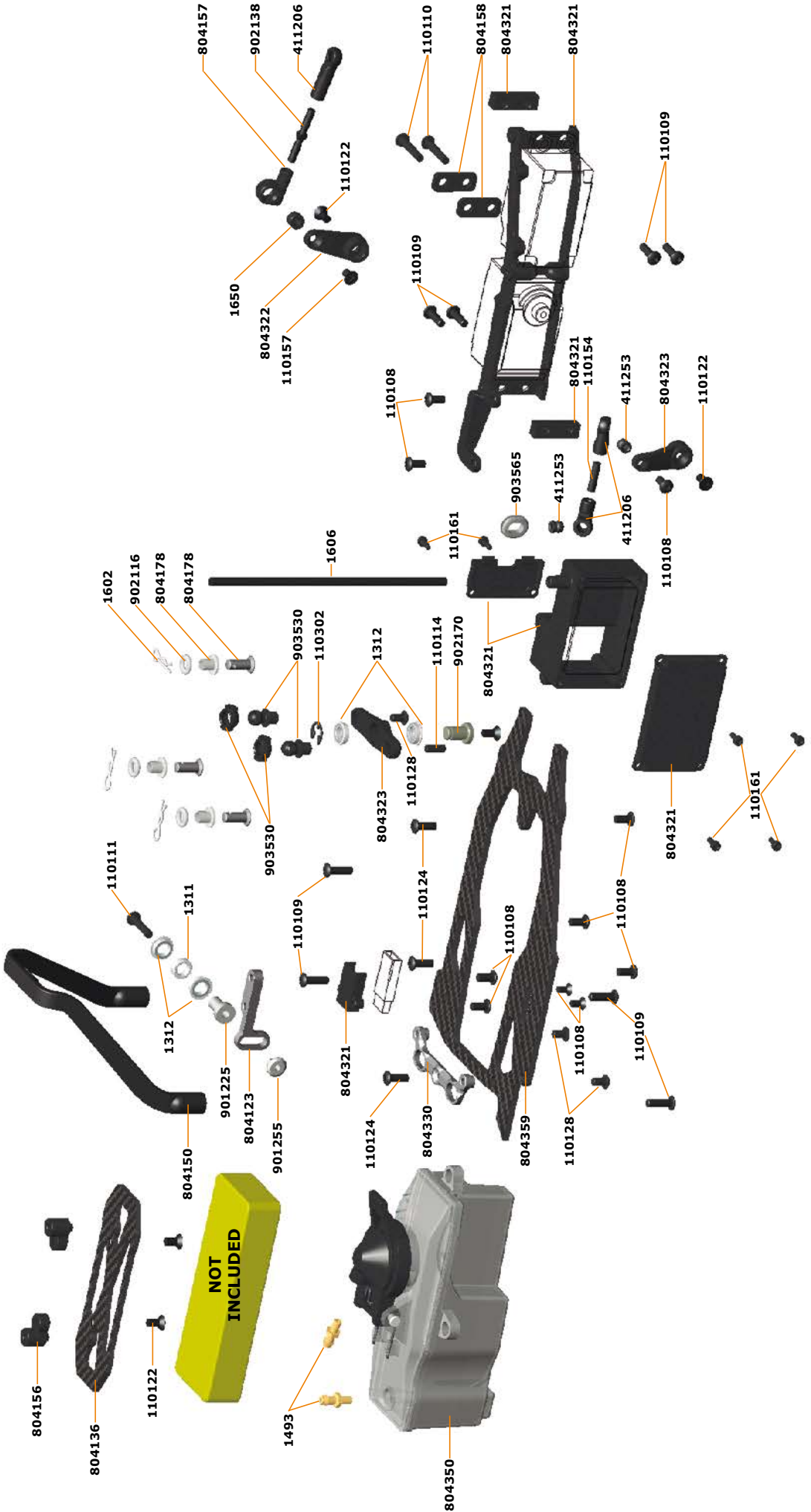


804241 2-Speed gear set SL6 (6)

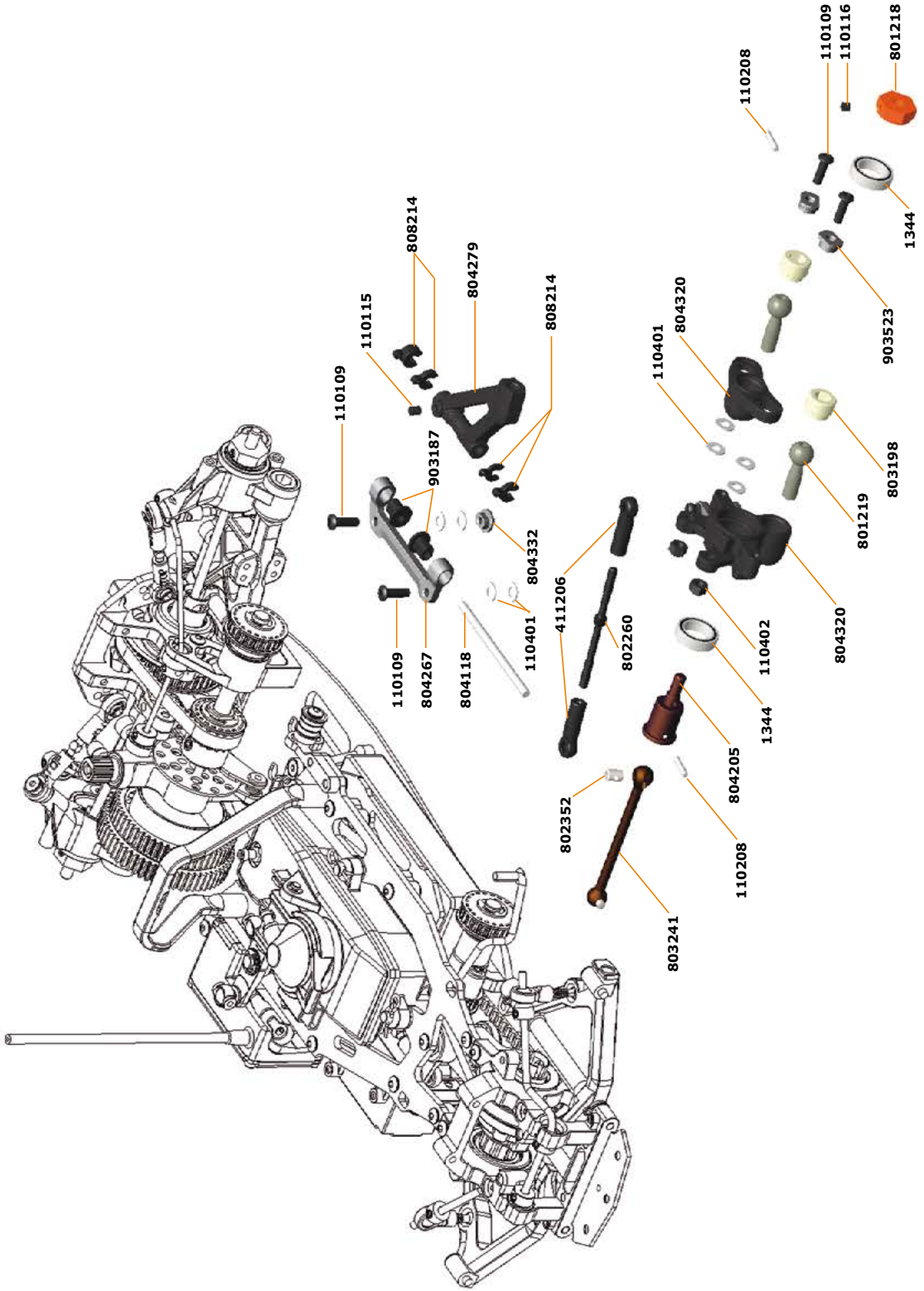
REAR ASSEMBLY



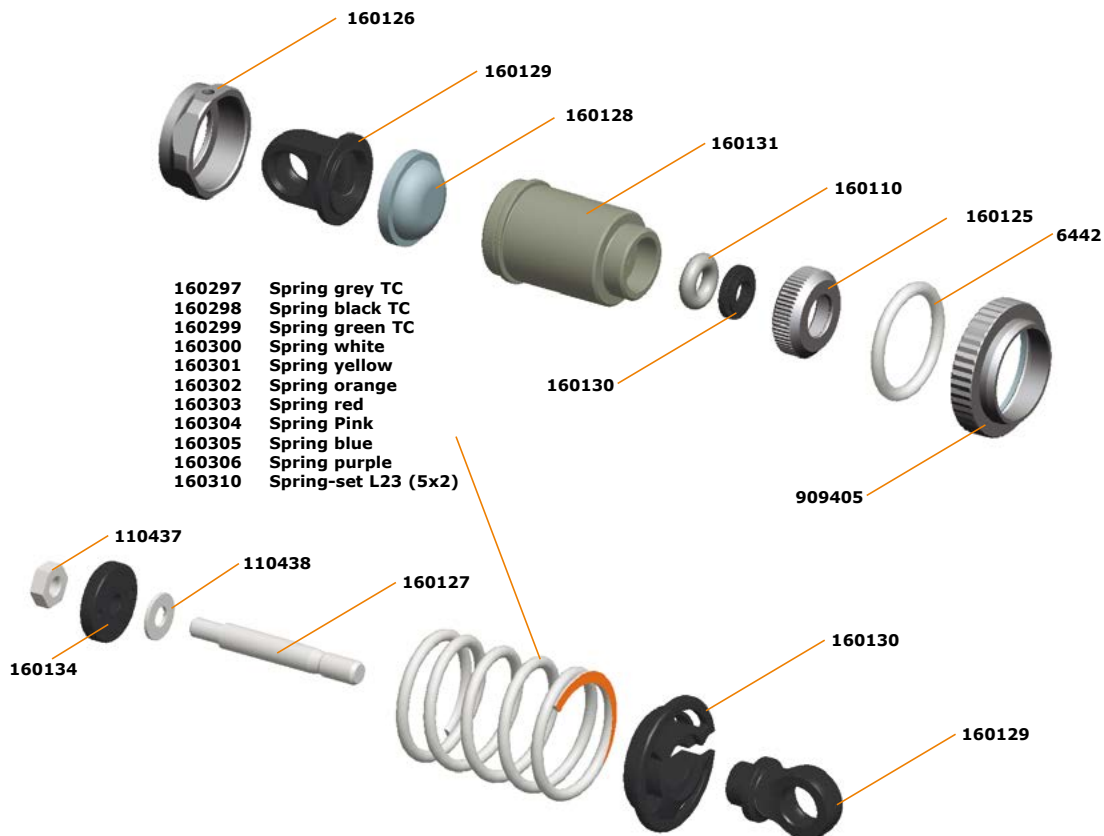
RADIO ASSEMBLY



FRONT II ASSEMBLY

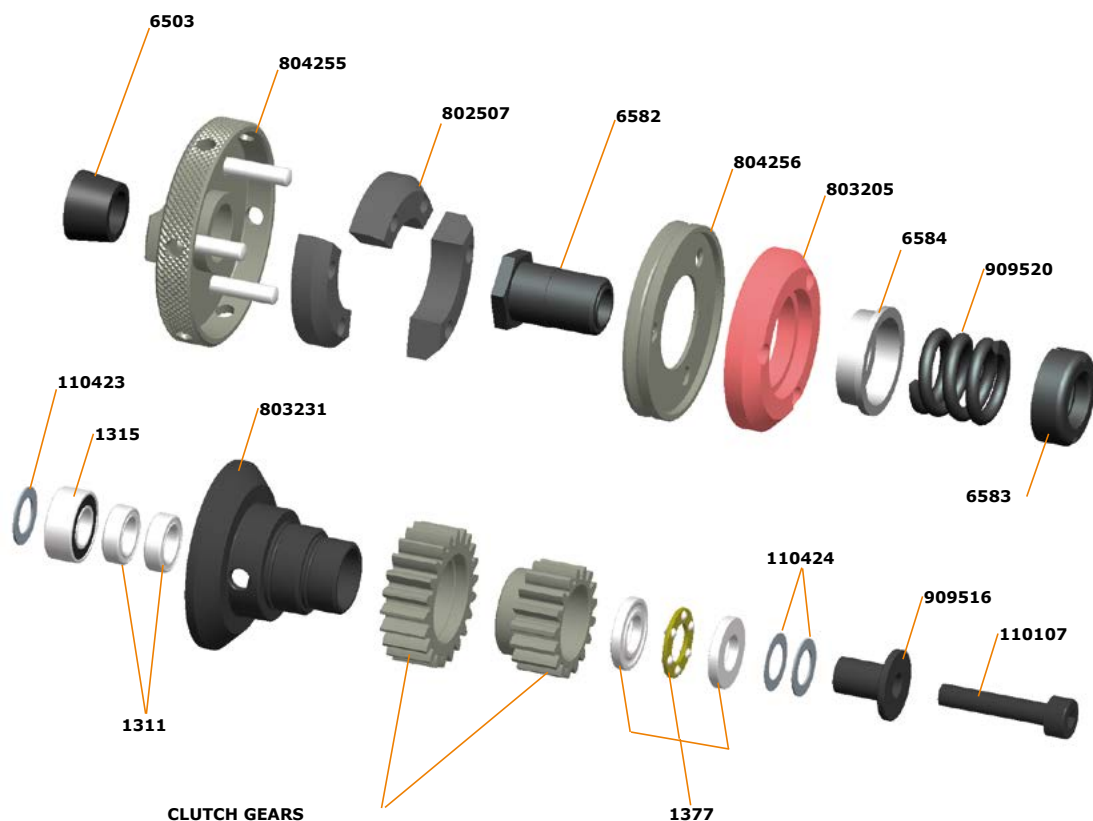


SHOCKS ASSEMBLY



- 160297 Spring grey TC
- 160298 Spring black TC
- 160299 Spring green TC
- 160300 Spring white
- 160301 Spring yellow
- 160302 Spring orange
- 160303 Spring red
- 160304 Spring Pink
- 160305 Spring blue
- 160306 Spring purple
- 160310 Spring-set L23 (5x2)

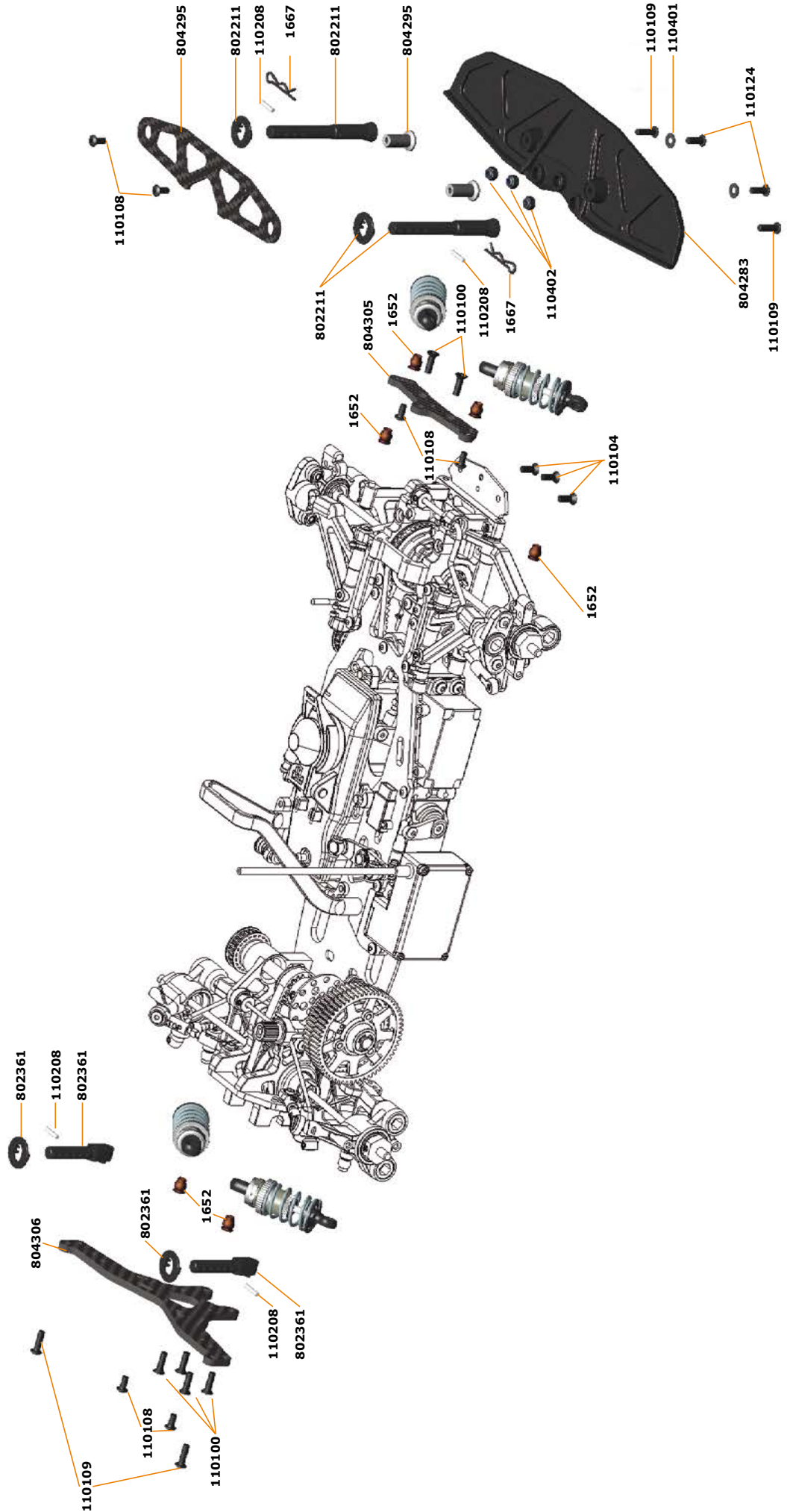
TRUE MOTION 1/10 CLUTCH ASSEMBLY



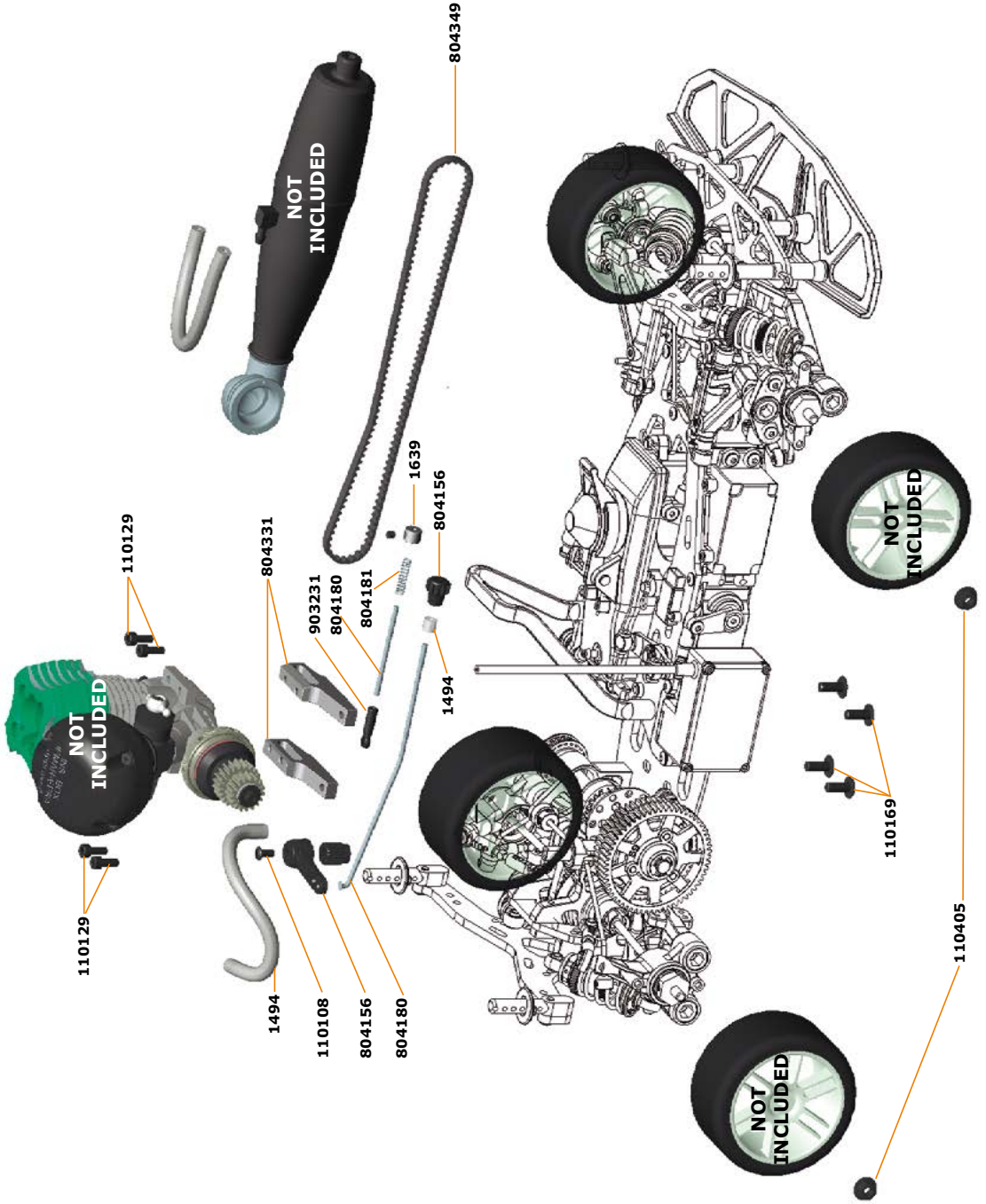
- CLUTCH GEARS**
- 803233 Centax-3wc gear alu 16T
 - 803234 Centax-3wc gear alu 17T
 - 803235 Centax-3wc gear alu 18T
 - 803236 Centax-3wc gear alu 21T
 - 803237 Centax-3wc gear alu 22T
 - 803238 Centax-3wc gear alu 23T

sales part-number Centax True Motion clutch 1/10 # 804250

FINAL ASSEMBLY I



FINAL ASSEMBLY II



PARTS-LIST

Part no Description

804008 Serpent Natrix 748 EVO 1/10 4wd 200mm

MANUAL, DECALS

1886 Decal serpent black/white 1/10 (2)
1888 Decal serpent chrome 1/10 (2)
804356 Decal sheet 748 (2)

RADIO INSTALLATION / BATTERY

1639 Collar alu 2.1+setscrew (4)
804136 Battery holder
804156 Brake lever / battery spacers frame
804158 Servo mount spacers frame
804162 Radioplate support (2)
804181 Throttle spring (2)
804321 Radiobox set 748 (6)
804330 Radioplate mount RR top 748
804339 Radioplate mount RR lw 748
804359 Radioplate carbon 748
903565 Grommet rubber big (4)

Optionals

804193 Radiotray posts alu (2)
804355 Flex system 748
804360 Throttle lever alu
903577 Transponder mount carbon

SERVO SAVER AND STEERING

1650 Steel balls 5.8mm (4)
1652 Steel balls 5.8mm long (4)
401091 Balljoint-4-5 (12)
411253 Pivotball uni 4.5mm (4)
802260 Track-rod 47mm l+r (2)
804124 Servo saver Spring
804130 Servo saver nut
804322 Servo levers steering 748 (3)
804324 Servo saver set nylon (4)
804336 Servo saver shaft inner 748
804337 Servo saver shaft outer 748
804338 Steeringblock lever alu 748 (2)
902138 Rod 23mm set (2)
903231 Balljoint set 14+6+2

Optionals

401500 Pivotball uni 4.5mm alu (4)
802261 Track-rod 47mm L+R Titan (2)
804252 Pivotball 5.8mm alu coated (4)
804253 Pivotball 5.8mm alu coated long (4)
804350 Tank 75ml 748
804360 Throttle lever alu
804361 Servosaver bottom alu
804364 Servo lever steering alu 23T 748
804365 Servo lever steering alu 24T 748
804366 Servo lever steering alu 25T 748

FUEL TANK AND PARTS

1493 Nipple brass M3 (4)
1602 Body clips small (10)
600117 Tank cap seal silicone (2)
804178 Tank-support alu+rubber cover (3)
804179 Covers rubber tankmount (3)

SHOCK ABSORBERS

6442 O-ring adj.nut (10)
1652 Steel balls 5.8mm long (4)
160110 Shock bottom O-ring (8)
160124 Shock set RCM-SS (2)
160125 Shock RCM-SS bottom (2)
160126 Shock RCM-SS top nut (2)
160127 Shock RCM-SS shaft (2)
160128 Shock RCM membrane soft (4)

160129 Shock end frame RCM-SS (4+4)
160130 Shock spring support + bushing RCM-SS (4+4)
160131 Shock RCM -SS body alu (2)
160134 Shock pistons set RCM (2x4)
909405 Shock adj nut alu +o-ring (4)

Optionals

160132 Shock bushing delrin RCM -SS (4)
160133 Shock shaft Tin coated RCM-SS (2)
804252 Pivotball 5.8mm alu coated (4)
804253 Pivotball 5.8mm alu coated long (4)

SHOCK SPRINGS

160297 Spring grey short (2.6/14.8) TC (2)
160298 Spring black short (2.9/16.5) TC (2)
160299 Spring green short (3.5/19.9) TC (2)
160300 Spring white L23 (2.3/13) (2)
160301 Spring yellow L23 (2.8/16) (2)
160302 Spring oranje L23 (3.4/19.5) (2)
160303 Spring red L23 (4.1/23.5) (2)
160304 Spring pink L23 (4.0/28) (2)
160305 Spring blauw L23 (5.8/33) (2)
160306 Spring paars L23 (6.8/39) (2)
160307 Spring groen L23 (8/45.5) (2)
160308 Spring grijs L23 (9/51.5) (2)
160309 Spring black L23 (10/57) (2)
160310 Spring-set L23 (5x2)

CHASSIS / RADIO PLATE

804162 Radioplate support (2)
804330 Radioplate mount RR top 748
804339 Radioplate mount RR lw 748
804359 Radioplate carbon 748
804346 Chassis alu 748

Optionals

401433 Weight set brass 5gr - 12gr - 20gr (2+1+1)
804193 Radiotray posts alu (2)
804273 Chassis weight 25gr 747
804355 Flex system 748
804362 Chassis alu hard coated 748
804372 Screw set alu top/side orange 748 (38)
804373 Screwsset 748 gray alu (133)

BODYMOUNTS FR and RR

1667 Body clip medium (10)
802211 Bodymount adjustable front (3)
802361 Bodymount adjustable rear (2)

Optionals

802212 Body-mount alu (2 long+1short)
802362 Body-mount alu short rear (2)
804293 Body support washers med + high (5+5)
804296 Body support rear (2)

FRONT SECTION

1650 Steel balls 5.8mm (4)
1652 Steel balls 5.8mm long (4)
411206 Balljoint 4.5 (4)
411253 Pivotball uni 4.5mm (4)
801218 Wheelhexagon alu 0mm (2)
801219 Pivotball 8.5mm short (4)
802211 Bodymount adjustable front (3)
802260 Trackrod M3x47mm (2)
802351 cvd driveshaft (2)
802352 Cvd insert (2)
802361 Bodymount adjustable rear (2)
803198 Adj nut pivotball 8.5mm nylon (10)
803240 CVD-set Pro (2)
804104 Belt Front 40S3M195 Low Friction

804117 Pivot pin FR lw (2)
 804118 Pivot pin FR up (2)
 804143 Antiroll bar FR 2.5mm
 804153 Eccenters front frame
 804205 Cvd wheelaxle pro (2)
 804207 Wishbone front lw L+R Hard
 804267 Suspension bracket 747 FR UP (2)
 804279 Wishbone 747 FR UP (2)
 804280 Bearing bracket 747 FR UP
 804283 Bumper 747
 804295 Bumperplate carbon 747
 804305 Shocktower carbon 747 fr low
 804320 Steeringblock 748 (2)
 804324 Servo saver set nylon (4)
 804332 Suspension bracket mount FR 748 (2)
 804333 Bearingblock FR L 748
 804334 Bearingblock FR R 748
 804335 Suspension bracket FR LW (2)
 804336 Servo saver shaft inner 748
 804337 Servo saver shaft outer 748
 804338 Steeringblock lever alu 748 (2)
 808214 Spacer-set caster (3)
 902138 Trackrod M3x23 (2)
 902170 Shaft throttle-brake lever
 903187 Eccenter frame r up bracket alu
 903343 Antirollbar spacer 3mm (2)
 903523 Steeringblock excenters 0 + 1.5 (4+4)
 903341 Antirollbar ball 3mm (2)

Optionals

401433 Weight set brass 5gr - 12gr - 20gr (2+1+1)
 401500 Pivotball uni 4.5mm alu (4)
 802255 Wheel hexagons 0mm clamp (4)
 802261 Track-rod 47mm L+R Titan (2)
 804100 Belt Front 40S3M195
 804110 Wishbone front lw L+R (M)
 804141 Antiroll bar fr 1.8mm
 804142 Antiroll bar fr 2.2mm
 804144 Antiroll bar fr 2.8mm
 804177 Antirollbar set front (4)
 804184 Front one-way axle set
 804185 Front solid axle
 804194 Wheel hexagons +1mm clamp (4)
 804195 Wheel hexagons -1mm clamp (4)
 804252 Pivotball 5.8mm alu coated (4)
 804253 Pivotball 5.8mm alu coated long (4)
 804254 Anti-roll bar bal 3.0mm alu (2)
 804302 Weight set round 4 x 5gram
 804353 Rim cover FR 748 (2)
 804363 Steeringblock lever carbon 748 (2)

MIDDLE SECTION

1602 Tank-clips small (10)
 411206 Balljoint 4.5 (4)
 411207 Balljoint 4.5 short (2)
 411253 Pivotball uni 4.5mm (4)
 804113 Pulley middle 18+21T (2)
 804123 Belt tensioner alu
 804136 Battery holder carbon
 804156 Brake lever / battery spacers frame
 804162 Radioplate support (2)
 804178 Tank-support alu+rubber cover (3)
 804181 Throttle spring (2)
 804268 Bracket middle axle 747
 804275 Exhaust mount spring (2)
 804330 Radioplate mount RR top 748
 804331 Engine mount L+R 748
 804332 Suspension bracket mount FR 748 (2)
 804339 Radioplate mount RR lw 748
 804349 Belt side 40S3M387 low friction
 804350 Tank 75ml 748

804359 Radioplate carbon 748
 901255 Belt tensioner shaft and nut
 901255 Belt tensioner shaft and nut
 901255 Belt tensioner set
 902116 Cap rubber for mounting pin tank (2)
 902138 Trackrod M3x23 (2)
 902170 Shaft throttle-brake lever
 903530 Throttle lever set (2+1)

Optionals

401433 Weight set brass 5gr - 12gr - 20gr (2+1+1)
 804196 Pully 18T mid alu
 804197 Pully 21T mid side alu
 804212 Radioplate support alu (2)
 804273 Chassis weight 25gr 747
 804302 Weight set round 4 x 5gram
 804355 Flex system 748
 804360 Throttle lever alu

REAR SECTION

1647 Steel balls 5.8mm d-s (4)
 1650 Steel balls 5.8mm (4)
 1652 Steel balls 5.8mm long (4)
 411207 Balljoint 4.5 short (2)
 411253 Pivotball uni 4.5mm (4)
 801215 Wheelaxle (2)
 801218 Wheelhexagon alu 0mm (2)
 801219 Pivotball 8.5mm short (4)
 802332 Driveshaft (2)
 802361 Bodymount adjustable rear (2)
 803198 Adj nut pivotball 8.5mm nylon (10)
 804112 Pulley 2sp shaft 20+21T (2)
 804116 Pivot pin RR lw (2)
 804129 Rearplate V1 narrow alu
 804133 Suspension bracket RR FR V1 alu
 804140 Camberlink bracket rear carbon
 804146 Shim conical 3x2mm (4)
 804152 Eccenters rear frame
 804168 Bearingblock RR alu
 804169 Brakepulley adaptor alu
 804219 Bearingblock rear upper 733 V2
 804276 Brakedisc 747 1mm
 804282 Upright 747 (2)
 804294 Wishbone 747 RR LW hard (2)
 804327 Bearingblock 2-speed-R 748
 804326 Bushing 2-speed axle nylon 748 (2)
 804327 Bearingblock 2-speed-R 748
 804328 Bearingblock 2-speed-L 748
 804342 Antiroll bar 1.8 RR 748
 804348 Belt rear 50S3M177 low friction
 902138 Trackrod M3x23 (2)
 903231 Ball-joints frame 14+6+2
 903318 Brake cam alu 966
 903330 Brakeplate / pad assembly
 903342 Antirollbar ball 2.5mm (2)
 903343 Antirollbar spacer 3mm (2)
 903546 Brake pad bushing (2)

Optionals

401433 Weight set brass 5gr - 12gr - 20gr (2+1+1)
 401500 Pivotball uni 4.5mm alu (4)
 804128 Rearplate wide
 804132 Suspension bracket rr fr wide
 804194 Wheel hexagons +1mm clamp (4)
 804195 Wheel hexagons -1mm clamp (4)
 804198 Pully 20T 2sp center alu
 804199 Pully 21T 2sp side alu
 804251 Pivotball 5.8mm d-s alu coated (4)
 804252 Pivotball 5.8mm alu coated (4)
 804253 Pivotball 5.8mm alu coated long (4)
 804254 Anti-roll bar bal 3.0mm alu (2)

804277 Shock bracket carbon L+R RR
804278 Anti-rollbar bracket carbon RR (2)
804281 Wishbone 747 RR LW medium (2)
804302 Weight set round 4 x 5gram
804341 Antiroll bar 1,6 RR 748
804343 Antiroll bar 2,0 RR 748
804344 Antiroll bar 2,2 RR 748
804345 Antiroll bar 2,5 RR 748
804354 Rim cover RR 748 (2)

TRANSMISION

500246 Geardiff gears 14T(4)+28T(2) SRX2
500247 Diff pin 14T (2) SRX2
500248 Geardiff o-ring (4) SRX2
500290 O-ring geardiff SRX2 (4)
801215 Wheelaxle (2)
802332 Driveshaft (2)
802351 cvd driveshaft (2)
802352 Cvd insert (2)
803240 CVD-set Pro (2)
804104 Belt Front 40S3M195 Low Friction
804112 Pulley 2sp shaft 20+21T (2)
804113 Pulley middle 18+21T (2)
804121 Shaft middle
804169 Brakepulley adaptor alu
804205 Cvd wheelaxle pro (2)
804340 2-speed axle 748
804347 Geardiff outdrive 748 (2)
804348 Belt rear 50S3M177 low friction
804349 Belt side 40S3M387 low friction
804351 Geardiff housing 748 FR
804352 Geardiff housing 748 RR
804356 Geardiff front 748
804357 Geardiff rear 748

Optionals

802248 adaptors driveshaft (2)
804184 Front one-way axle set
804185 Front solid axle
804196 Pully 18T mid alu
804197 Pully 21T mid side alu
804198 Pully 20T 2sp center alu
804199 Pully 21T 2sp side alu

BRAKE SYSTEM

804156 Brake lever / battery spacers
804169 Brakepully adaptor
804276 Brakedisc 747 1mm
804285 Brake spring 747 (2)
903318 Brake cam 966
903330 Brakeplate / pad set

Optionals

804291 Brake lever on-road alu

2-SPEED GEARBOX

804238 2-speed drive flange SL6
804340 2-speed shaft 748
804367 2-speed set SL6 XLI
804368 2-speed adaptor SL6 XLI
804369 2-speed shoe (2) SL6 XLI
804370 2-speed housing SL6 XLI
804371 2-speed spring (2) SL6 XLI

2-SPEED GEARS

804241 2-speed gear set SL6 (6)
804242 2-Speed gear 58T SL6
804243 2-Speed gear 59T SL6
804244 2-Speed gear 60T SL6
804245 2-Speed gear 53T SL6

804246 2-Speed gear 54T SL6
804247 2-Speed gear 55T SL6

CLUTCH SYSTEM

6582 Centax clutch nut
6583 Centax adj nut
802505 Centax-3 spring cup
802507 Centax-3 flyweights (3)
803205 Centax-3 clutch-shoe red
803231 Centax-3wc clutchhousing
804250 True motion clutch set 1/10
804255 Flywheel Centax True Motion 1/10
804256 Clutch support disk Centax True Motion 1/10
909516 Centax II spacer axialbearing
909520 Centax II coilspring 1.8 hard

Optionals

802508 Centax-3 clutch shoe xp
802509 Centax-3 clutch-shoe yellow
803201 Centax supportwasher alu
803208 Centax-3 flywheel 31mm
804234 Centax-3 clutchbell alu

CLUTCH GEARS

803233 Centax-3wc gear alu 16T
803234 Centax-3wc gear alu 17T
803235 Centax-3wc gear alu 18T
803236 Centax-3wc gear alu 21T
803237 Centax-3wc gear alu 22T
803238 Centax-3wc gear alu 23T

ENGINE MOUNTS

804331 Engine mount L+R 748

BALL-BEARINGS

1311 Ballbearing 5x8x2.5 (2)
1312 Ballbearing 5x8 mm flanged (2)
1314 Ballbearing 6x12 (2)
1315 Ballbearing 5x10x4 (2)
1320 Ballbearing 6x10 flanged (2)
1342 Ball-bearing 6x13 hs (2)
1344 Ball-bearing 10x15x4 hs (2)
1346 Ball-bearing 12x18 hs (2)
1377 Thrust-bearing 5x10 centax
1388 Thrust-bearing 5x10 ceramic
401124 Ballbearing 3x6 (2)
401134 Ballbearing 4x7 (2)

FASTNERS

110101 Screw allen countersunk m4x8 (10)
110102 Screw allen countersunk m4x10 (10)
110103 Screw allen countersunk m4x16 (10)
110104 Screw allen countersunk m3x8 (10)
110105 Screw allen countersunk m4x12 (10)
110106 Screw allen flanged roundhead m5x12 (10)
110107 Screw allen cilinderhead m3x16 (10)
110108 Screw allen roundhead m3x6 (10)
110109 Screw allen roundhead m3x10 (10)
110110 Screw allen roundhead m3x16 (10)
110111 Screw allen roundhead m3x14 (10)
110112 Screw allen roundhead m3x12 (10)
110113 Screw allen roundhead m4x8 (10)
110114 Setscrew allen m3x8 (10)
110115 Setscrew allen m3x4 (10)
110116 Setscrew allen m3x3 (10)
110117 Setscrew allen m3x12 (10)
110118 Setscrew allen m4x4 (10)
110119 Setscrew allen m4x6 (10)
110120 Setscrew allen m4x10 (10)
110121 Setscrew allen m5x6 (10)
110122 Screw allen countersunk m3x6 (10)

| | | | |
|--------|------------------------------------------------|--------|----------------------------|
| 110123 | Screw philips roundhead 3.5x13 (10) | 110204 | Pin 3x20 (10) |
| 110124 | Screw allen roundhead m3x8 (10) | 110205 | Pin 3x22 (10) |
| 110125 | Screw allen countersunk m3x20 (10) | 110206 | Pin 2.5x22 (10) |
| 110126 | Screw allen countersunk m2.5x12 (10) | 110207 | Pin 2.5x12 (10) |
| 110127 | Screw allen countersunk m3x12 (10) | 110208 | Pin nra 2x9.8 (4) |
| 110128 | Screw allen roundhead m3x5 (10) | 110209 | Pin nra 2x18 (4) |
| 110129 | Screw allen cilinderhead m3x10 (10) | 110210 | Pin 3x13 (10) |
| 110130 | Screw allen roundhead m2.5x6 (10) | 110211 | Pin 2.5x13 (10) |
| 110131 | Screw allen roundhead m2.5x10 (10) | 110212 | Pin 2.5x17 (10) |
| 110132 | Screw allen countersunk m3x16 (10) | 110213 | Pin 2.5x10 (10) |
| 110133 | Screw philipshead countersunk 2.5x8 wide (10) | 110214 | Pin 3x15 (10) |
| 110134 | Screw philipshead countersunk 2.5x10 wide (10) | 110215 | Pin 2x12 (10) |
| 110135 | Screw allen countersunk M2.5x10 (10) | 110216 | Pin 2.5x15 (10) |
| 110136 | Screw allen countersunk M2.5x8 (10) | 110217 | Pin 2x9 (10) |
| 110137 | Setscrew allen M3x6 (10) | 110218 | Pin 3x10 (10) |
| 110138 | Screw allen countersunk M4x14 (10) | 110219 | Pin 2x14 (10) |
| 110139 | Screw allen countersunk M3x40 (10) | 110220 | Pin 1.5x8 (10) |
| 110140 | Screw allen roundhead M3x20 (10) | 110221 | Pin 1.7x7.6 (10) |
| 110141 | Screw allen roundhead M3x22 (10) | 110222 | Pin 1.7x8.5 (10) |
| 110142 | Screw allen roundhead M3x25 (10) | 110300 | E-clip 2.3 (10) |
| 110143 | Screw allen roundhead M4x18 (10) | 110301 | E-clip 3.2 (10) |
| 110144 | Screw allen roundhead M3x18 (10) | 110302 | E-clip 4.0 (10) |
| 110145 | Screw allen roundhead flanged M3x12 (10) | 110303 | E-clip 5.0 (10) |
| 110146 | Screw allen roundhead flanged M3x16 (10) | 110304 | E-clip 7.0 (10) |
| 110147 | Screw ph roundhead M2.5x5 (10) | 110305 | Seeger clip 12x1.0 (10) |
| 110148 | Setscrew allen M5x4 (10) | 110306 | E-clip 6.0 (10) |
| 110149 | Screw allen countersink M2x10 (10) | 110307 | E-clip 9.0 (10) |
| 110150 | Screw M6x12 nylon black (2) | 110400 | Shim 6.0x10x0.2(10) |
| 110151 | Screw allen cilinderhead M4x10 (10) | 110401 | Shim3.2x7x0.5 (10) |
| 110152 | Screw allen cilinderhead M3x8 (10) | 110402 | Nut nylock M3 (10) |
| 110153 | Screw allen roundhead M2.3x4(10) | 110403 | Nut nylock M4 (10) |
| 110154 | Setscrew allen M3x10 (10) | 110404 | Shim 6x8x0.3 (10) |
| 110155 | Setscrew allen M3x5 (10) | 110405 | Nut nylock M4 flanged (10) |
| 110156 | Screw allen countersunk M2.2x6 (10) | 110406 | Nut nylock M2.2 (10) |
| 110157 | Screw allen countersunk M3x5 (10) | 110407 | Nut M3 (10) |
| 110158 | Screw allen countersunk M3x15 (10) | 110408 | Shim 3X5X0.3 (10) |
| 110159 | Screw allen countersunk M3x18 (10) | 110409 | Shim 3X5X1 (10) |
| 110160 | Screw allen cilinderhead M2.2x12 (10) | 110410 | Shim 3X5X2 (10) |
| 110161 | Screw allen cilinderhead M2x6 (10) | 110411 | Shim 3X5X4 (10) |
| 110162 | Setscrew allen M3x2.5 (10) | 110412 | Shim 3.5X8X1 (10) |
| 110163 | Setscrew allen M3x2 (10) | 110413 | Shim 3.5X12X0.2 (10) |
| 110164 | Screw allen roundhead M3x4 (10) | 110414 | Shim 3X6X0.1 (10) |
| 110165 | Screw allen cilinderhead M2x5 (10) | 110415 | Shim 3X6X0.5 (10) |
| 110166 | Screw allen countersunk M2.5x5 (10) | 110416 | Shim 3X6X0.8 (10) |
| 110167 | Screw allen roundhead flanged M3x18 (10) | 110417 | Shim 3X6X3 (10) |
| 110168 | Screw allen roundhead flanged M3.5x10 (10) | 110418 | Shim 4X8X0.1 (10) |
| 110169 | Screw allen roundhead flanged M4x10 (10) | 110419 | Shim 4X9.5X1 (10) |
| 110170 | Screw allen roundhead flanged M3x28 (10) | 110420 | Shim 4X9.5X2(10) |
| 110171 | Screw ph roundhead widethread 2.5x6 (10) | 110421 | Shim 4X9.5X4(10) |
| 110172 | Screw allen roundhead flanged M3X6 (10) | 110422 | Shim 4X10X0.3 (10) |
| 110173 | Screw ph countersunk widethread 2.5x12 (10) | 110423 | Shim 5X8X0.1 (10) |
| 110174 | Screw allen countersunk M4x6 (10) | 110424 | Shim 5X8X0.3 (10) |
| 110175 | Screw allen cilinderhead M3x40 (10) | 110425 | Shim 5X10X0.3 (10) |
| 110176 | Screw allen cilinderhead M3x18 (10) | 110426 | Shim 5X10X0.5 (10) |
| 110177 | Screw allen roundhead M4x12 (10) | 110428 | Shim 6.5X8X0.25 (10) |
| 110178 | Screw allen cilinderhead M3x14 (10) | 110429 | Shim 6X11.75X0.2 (10) |
| 110179 | Screw allen roundhead M2.5x8 (10) | 110431 | Shim 8X11X0.1 (10) |
| 110180 | Setscrew allen M5x10 (10) | 110432 | Shim 8X11X0.2 (10) |
| 110181 | Screw M5x10 + Nut nylon black (4+4) | 110433 | Shim 12X15X0.25 (10) |
| 110182 | Screw allen roundhead M2x4 (10) | 110434 | Shim 12X18X0.3 (10) |
| 110183 | Screw allen countersunk M3x10 (10) | 110435 | Shim 13X16X0.2 (10) |
| 110184 | Screw allen countersunk M3x14 (10) | 110436 | Shim 3x5x3 (10) |
| 110185 | Screw allen cilinderhead M3x30 (10) | 110437 | Nut M2.5 (10) |
| 110186 | Screw allen cilinderhead M3x35 (10) | 110438 | Shim 2.5x6x0.5 (10) |
| 110187 | Setscrew allen M3x16 (10) | 110439 | Shim 3x7.5x1 (10) |
| 110188 | Screw allen cilinderhead M2x10 (10) | 110440 | Shim 2.5x5x0.4 (10) |
| 110189 | Setscrew allen M4x8 (10) | 110441 | Nut nylock M3 flanged (10) |
| 110200 | Pin 2.5x8 (10) | 110442 | Shim 4x8x0.6 (10) |
| 110201 | Pin 3x12 (10) | 110443 | Shim 5x15x0.2 (10) |
| 110202 | Pin 5x5 (10) | 110444 | Nut M4 nylon (10) |
| 110203 | Pin 3x14 (10) | 110445 | Shim 4x10x0.2 (10) |

110446 Shim 5x15x0.2 (10)
 110447 Shim 3x7x7 (10)
 110448 Shim 3x6x6 (10)
 110449 Shim 3x6x1 (10)
 110450 Nut M2 (10)
 110451 Nylock nut M4 flanged alu (10)
 110452 Nut M4 flanged knurled (10)
 110453 Shim 3x7x3 (10)

TOOLS

190500 Pit-caddy
 190501 Tool-bag
 190502 Pit-bag medium. 3 drawers
 190503 Fuel bottle 500ml
 190504 Ballcup tool
 190506 Toolset for On-road (17pcs) with Tools bag
 190509 Allen wrench 1.5 X 120mm
 190510 Allen wrench 2.0 X 120mm
 190511 Allen wrench 2.5 X 120mm
 190512 Allen wrench 3.0 X 120mm
 190513 Ball driver hex wrench2.0 X 120mm
 190514 Ball driver hex wrench2.5 X 120mm
 190515 Ball driver hex wrench3.0 X 120mm
 190516 Tool tip Allen wrench 1.5 X 120mm
 190517 Tool tip Allen wrench 2.0 X 120mm
 190518 Tool tip Allen wrench 2.5 X 120mm
 190519 Tool tip Allen wrench 3.0 X 120mm
 190520 Tool tip Ball driver hex wrench2.0 X 120mm
 190521 Tool tip Ball driver hex wrench2.5 X 120mm
 190522 Tool tip Ball driver hex wrench3.0 X 120mm
 190523 Turnbuckle wrench 3mm
 190524 Turnbuckle wrench 4mm
 190525 Turnbuckle wrench 5mm
 190526 Flat head screwdriver3.0 X 150mm
 190527 Flat head screwdriver4.0 X 150mm
 190528 Phillips screwdriver 2.0 X 45mm
 190529 Phillips screwdriver 3.5 X 120mm
 190530 Phillips screwdriver 5.8 X 120mm
 190539 Nut driver 4.5 X 100mm
 190531 Nut driver 5.0 X 100mm
 190532 Nut driver 5.5 X 100mm
 190533 Nut driver 7.0 X 100mm
 190534 Reamer with end cap for lexan body
 190535 Exhaust spring / caster clip remover
 190536 Wrench - Glowplug / Clutchnut - 10mm long
 190538 Flywheel wrench

190192 T-shirt Serpent Splash orange (XXL)
 190193 T-shirt Serpent Splash orange (XXXL)
 190194 T-shirt Serpent Splash black (S)
 190195 T-shirt Serpent Splash black (M)
 190196 T-shirt Serpent Splash black (L)
 190197 T-shirt Serpent Splash black (XL)
 190198 T-shirt Serpent Splash black (XXL)
 190199 T-shirt Serpent Splash black (XXXL)
 190201 Hoody sweater Serpent black-zip (S)
 190202 Hoody sweater Serpent black-zip (M)
 190203 Hoody sweater Serpent black-zip (L)
 190204 Hoody sweater Serpent black-zip (XL)
 190205 Hoody sweater Serpent black-zip (2XL)
 190206 Hoody sweater Serpent black-zip (3XL)
 190207 Hoody sweater Serpent black-zip (4XL)
 190215 T-shirt Serpent WC edition black (S)
 190216 T-shirt Serpent WC edition black (M)
 190217 T-shirt Serpent WC edition black (L)
 190218 T-shirt Serpent WC edition black (XL)
 190219 T-shirt Serpent WC edition black (XXL)
 190220 T-shirt Serpent WC edition black (XXXL)

MERCHANDISING

1896 Cap serpent black-orange
 190172 Winter jacket Serpent black-orange hooded (M)
 190173 Winter jacket Serpent black-orange hooded (L)
 190174 Winter jacket Serpent black-orange hooded (XL)
 190175 Winter jacket Serpent black-orange hooded (2XL)
 190176 Winter jacket Serpent black-orange hooded (3XL)
 190208 Winter jacket Serpent black-orange hooded (4XL)
 190156 Polo shirt Serpent black (S)
 190157 Polo shirt Serpent black (M)
 190158 Polo shirt Serpent black (L)
 190159 Polo shirt Serpent black (XL)
 190160 Polo shirt Serpent black (XXL)
 190161 Polo shirt Serpent black (XXXL)
 190182 T-shirt Serpent Splash white (S)
 190183 T-shirt Serpent Splash white (M)
 190184 T-shirt Serpent Splash white (L)
 190185 T-shirt Serpent Splash white (XL)
 190186 T-shirt Serpent Splash white (XXL)
 190187 T-shirt Serpent Splash white (XXXL)
 190188 T-shirt Serpent Splash orange (S)
 190189 T-shirt Serpent Splash orange (M)
 190190 T-shirt Serpent Splash orange (L)
 190191 T-shirt Serpent Splash orange (XL)



NATRIX 748 TQ

IFMAR TQ
VICE WORLD CHAMPION



www.serpent.com - info@serpent.com

