



**747**

**INSTRUCTION MANUAL**  
& REFERENCE GUIDE



The Serpent 747 is a complete new platform for the 200mm category of racing. It's the next phase of evolution of Serpent's hugely-successful 200mm chassis lineage, combining ultimate performance into a single package.

The Serpent 747 is designed to be a world champion, while still being easy to use, assemble, and set up. You are now part of the worldwide network of Serpent drivers, which gives you superior technical support and access to many benefits that only Serpent drivers can enjoy.

The Serpent 747 offers state of the art specifications and leads the way in 200mm chassis design, using all the knowledge we have from 1/8 scale racing into this design too. Continuously pushing the performance envelope, Serpent's engineers have added many new and innovative features that can help take your Serpent 747 into the winner's circle: new geometry, roll-centers and weight balance, combined with new open and very accessible design. A complete new platform.

### Safety

Read and take note of the 'Read this First section' before proceeding to assemble the car-kit. This car-kit is intended for persons aged 16 or older.

### Customer service

Serpent has made a strong effort to make this manual as complete and clear as possible. Additional info may be published in our website: [www.serpent.com](http://www.serpent.com) or you may ask your dealer or the Serpent distributor for advice, or email Serpent direct: [info@serpent.com](mailto:info@serpent.com) The Serpent Facebook, Twitter and Youtube pages give additional means of support and communications.

### Instructions, how to use

The kit includes bags, with bagnumbers, which refer to the same step in the manual. Open only the indicated bag(s) per step and finish that part of the assembly. Remaining parts will be needed later on in the assembly process.

### Instructions

Serpent's long tradition of excellence extends to the instruction manuals, and this instruction manual is no exception. The easy-to-follow layout is richly illustrated with 3D-rendered full-color images to make your building experience quick and easy. Following the instructions will result in a well-built, high-performance race-car that will soon be able to unleash its full potential at the racetrack.

### INSTRUCTIONS

Serpent's long tradition of excellence extends to their instruction manuals, and this instruction manual is no exception. The easy-to-follow layout is richly illustrated with 3D-rendered full-color images to make your building experience quick and easy. Following the instructions will result in a well-built, high-performance racecar that will soon be able to unleash its full potential at the racetrack.

This instruction manual has been divided into sections that will logically lead you through the assembly process of your Serpent 747. Follow the assembly steps in the order presented to ensure that no problems occur during assembly. Each step indicates all the fasteners and small parts used. Bag numbers identify the kit bag(s) that contains the appropriate parts.

### EXPLODED VIEWS AND PARTS LIST

The exploded views and parts lists for the Serpent 747 are included in the back of this manual. The exploded views show all the parts of a particular assembly step along with the Serpent part number. The parts lists indicate the part number and name of each part for easy reference when ordering.

### SetUp

In certain assembly steps you need to make basic adjustments, which will give you a good initial setup for your Serpent S747. Fine-tuning the initial setup is an essential part of building a high-performance racecar like your S747.

### Exploded views and partslist

The exploded views and parts lists for the Serpent S747 are presented in the Reference Guide section in the back of this manual. The exploded views show all the parts of a particular assembly step along with the Serpent part number. The parts lists indicate the part number and name of each part for easy reference when ordering.

## CONTENTS

<b>DIFFERENTIAL ASSEMBLY</b>	<b>4</b>
<b>FRONT ASSEMBLY</b>	<b>5</b>
<b>REAR ASSEMBLY</b>	<b>10</b>
<b>RADIO PLATE ASSEMBLY</b>	<b>15</b>
<b>RCM SHOCK ASSEMBLY</b>	<b>21</b>
<b>GEARBOX ASSEMBLY</b>	<b>23</b>
<b>CENTAX ASSEMBLY</b>	<b>24</b>
<b>FINAL ASSEMBLY</b>	<b>26</b>
<b>REFERENCE GUIDE</b>	<b>27</b>
<b>PARTS LISTS</b>	<b>35</b>

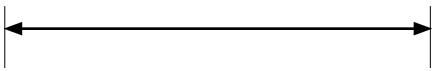
## Read this first!

- This is a highly technical hobby product, intended to be used in a safe racing environment. This car is capable of speeds in excess of 80 km/h or 50mph. Please follow these guidelines when building and operating this model.
- Parental guidance is required when the builder/user of this car is under 16.
- Follow the building instructions. If in doubt, contact your dealer or importer.
- Be sure to use the proper tools when assembling the car. Always exercise caution when using electric tools, knives and other sharp objects.
- Be careful when using liquids like lubrication oil, fuel or glue. Do not swallow.
- Follow the manufacturer's instruction in case you experience irritation after using the product.
- Be careful when operating the car. Stay away from any rotating parts such as wheels, gears and transmission. Stay away from motor, engine and exhaust pipe system or speedo during and immediately after use, as these parts may be very hot. We advise to use protective hand gloves.
- Only operate this car in a safe environment, like a special racing track or a closed parking lot. Avoid using this car on public roads, crowded places or near infants.
- Before operating this car, always check the mechanical status of the car. Also check that the transmitter and receiver frequencies correspond and are not used by any other racer at the same time. Check that the batteries of the transmitter and receiver are fully charged.
- After use, always check all the mechanics of the car. We advise to clean the car immediately after use, and inspect the parts for wear or fractures. Replace when necessary. Do not use water, methanol, thinner or other solvents to clean the car.
- Empty the fuel tank (depending on model) if needed and disconnect the receiver battery.
- Store the car in a dry and heated place to avoid corrosion of metal parts.
- Avoid using this car in wet conditions as the water will cause corrosion on the metal parts and bearings and these parts will cease to function properly. If driven in the wet, ensure that all the electric equipment is waterproofed and after use, that all moving parts are dried immediately.

## USING THE MANUAL

Each step contains a variety of numbers, lines, and symbols. The numbers represent the order in which the parts should be assembled. The lines and symbols are described below.

①



Step number; the order in which you should assemble the indicated parts

Length after assembly



Group of items (within lines) should be assembled first



Direction the item should be moved



Press/Insert one item into another



Connect one item to another



Apply graphite grease (GR), threadlock (TL), CA glue (CA) or One-way Lube (OW). (Items not included.)

## SERPENT.COM

The printed instruction manual included with your Serpent 747 kit is very complete, though due to continuous product development, more up-to-date information may be provided at our Serpent.com website.

From the Serpent 747 product page you will find the very latest information about your Serpent 747: reports by team drivers and other experts, tips and tricks, setups, image gallery and downloadable files including the latest version of the instruction manual will be made available as downloadable PDF-files.

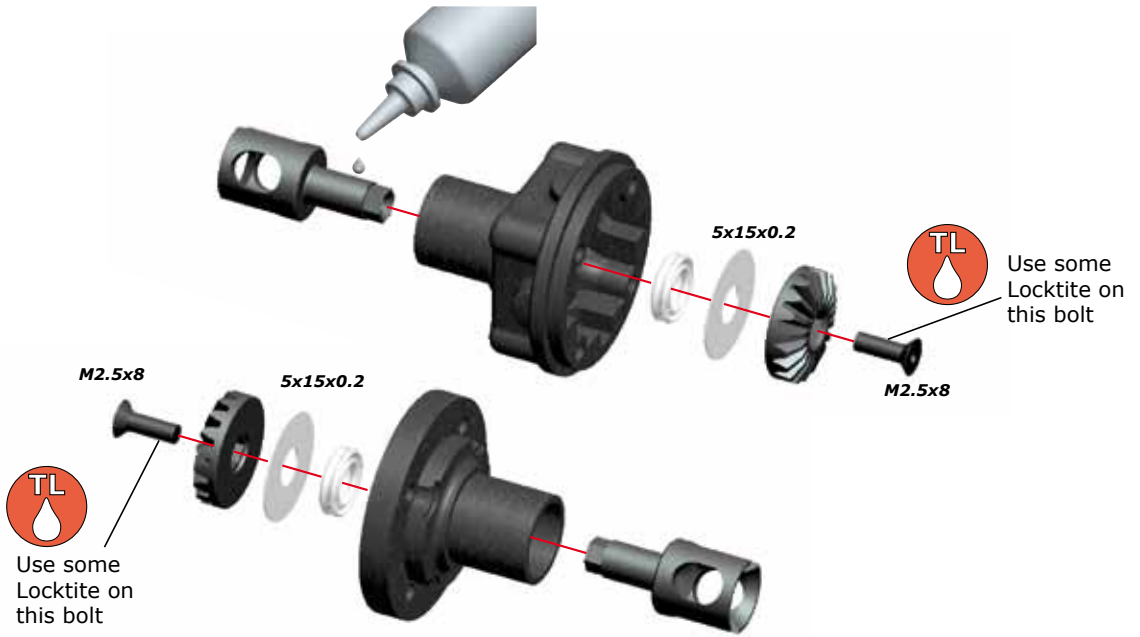
All information about the Serpent 747 is accessible from the Serpent 747 product page which can be found on Serpent.com and can be accessed by simply typing **www.serpent.com/804005** into your web browsers address bar.

# DIFFERENTIAL ASSEMBLY

A

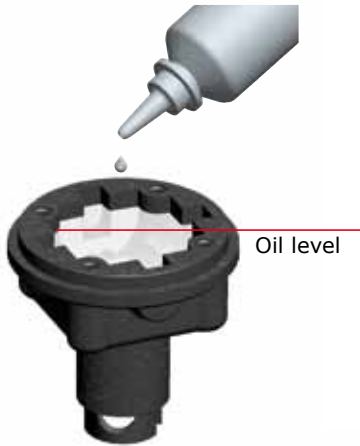
1

DIFF  
Bag



A

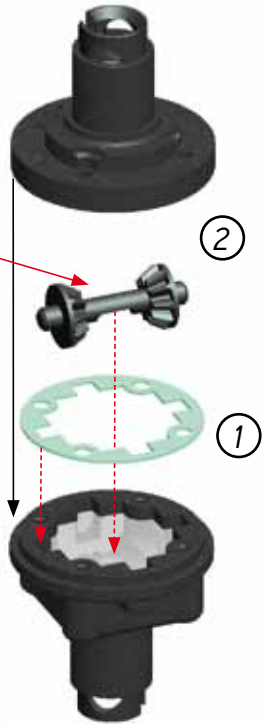
2



A

3

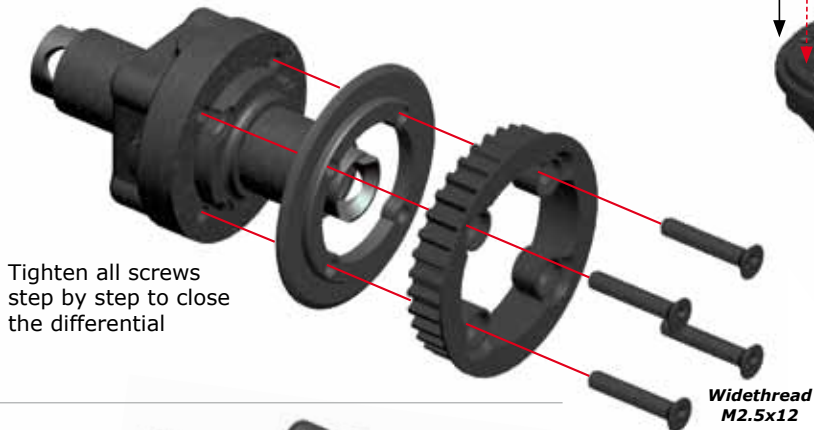
depending on set-up you can choose for two or 4 gears. Check set-up



A

4

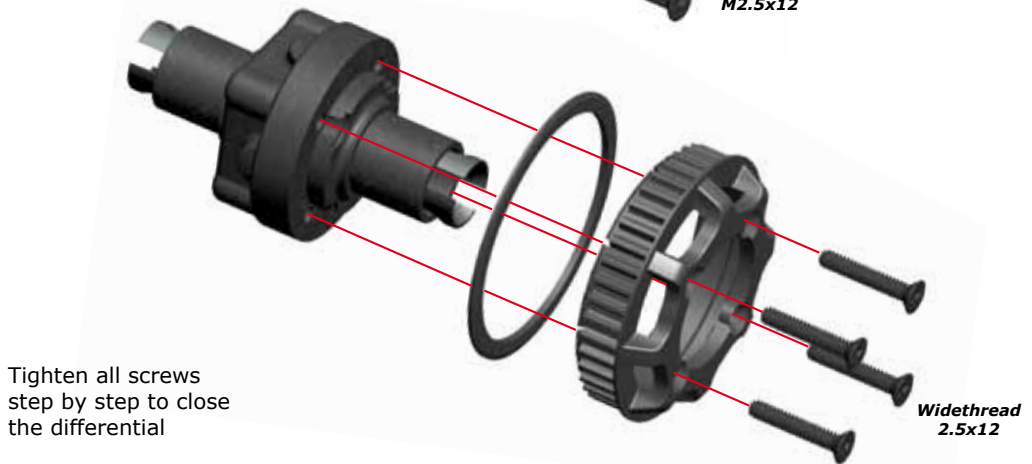
FRONT



A

4

REAR

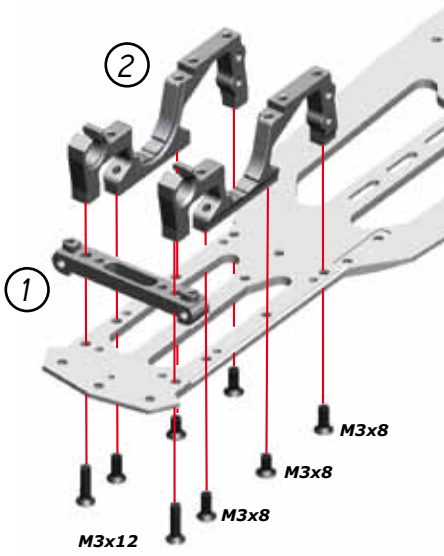


A

# FRONT ASSEMBLY

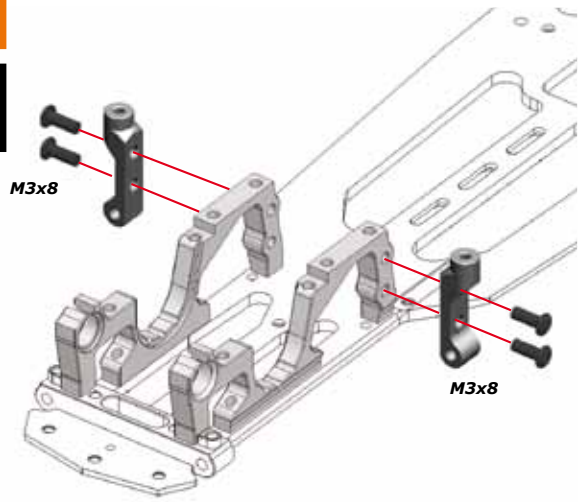
5

Bag 1



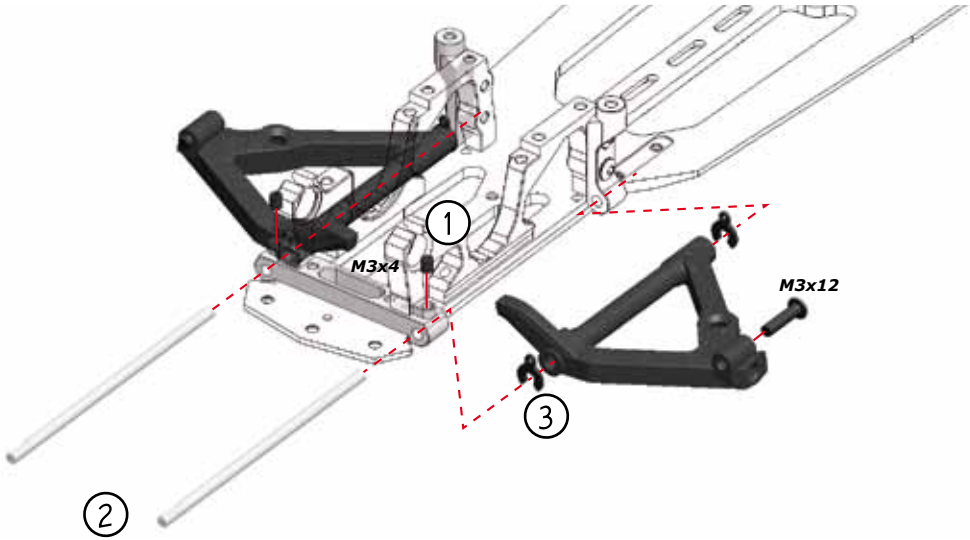
A

6



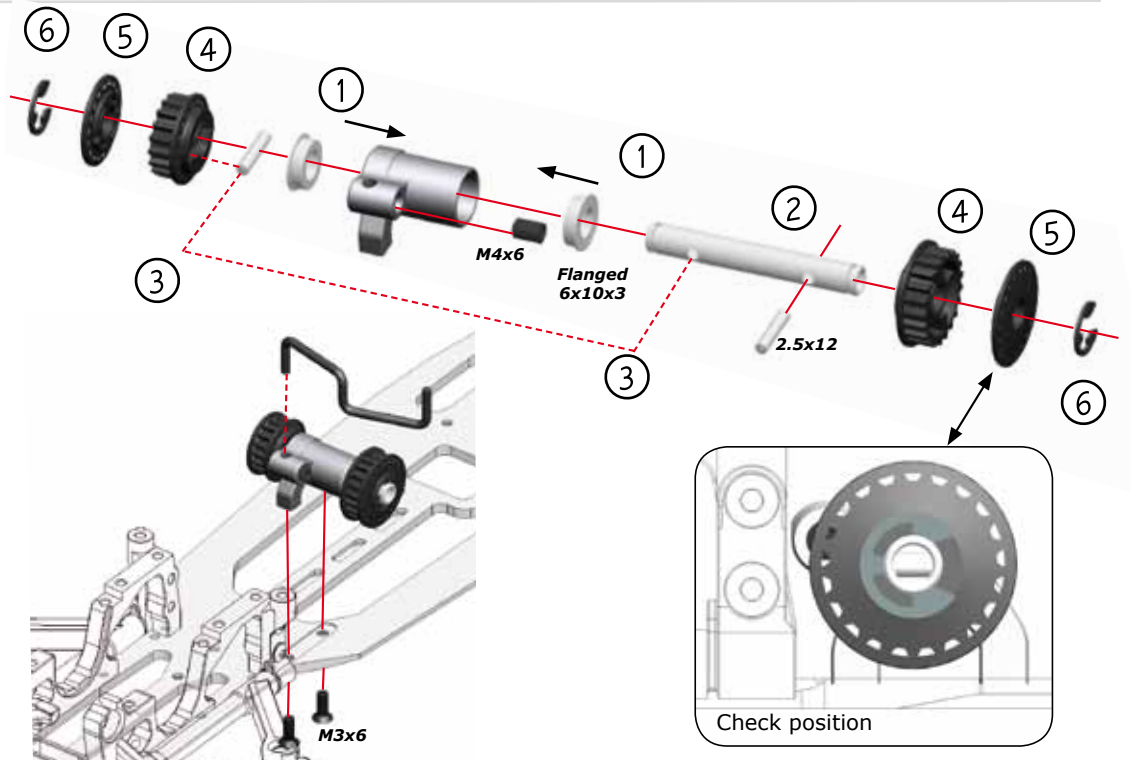
A

7

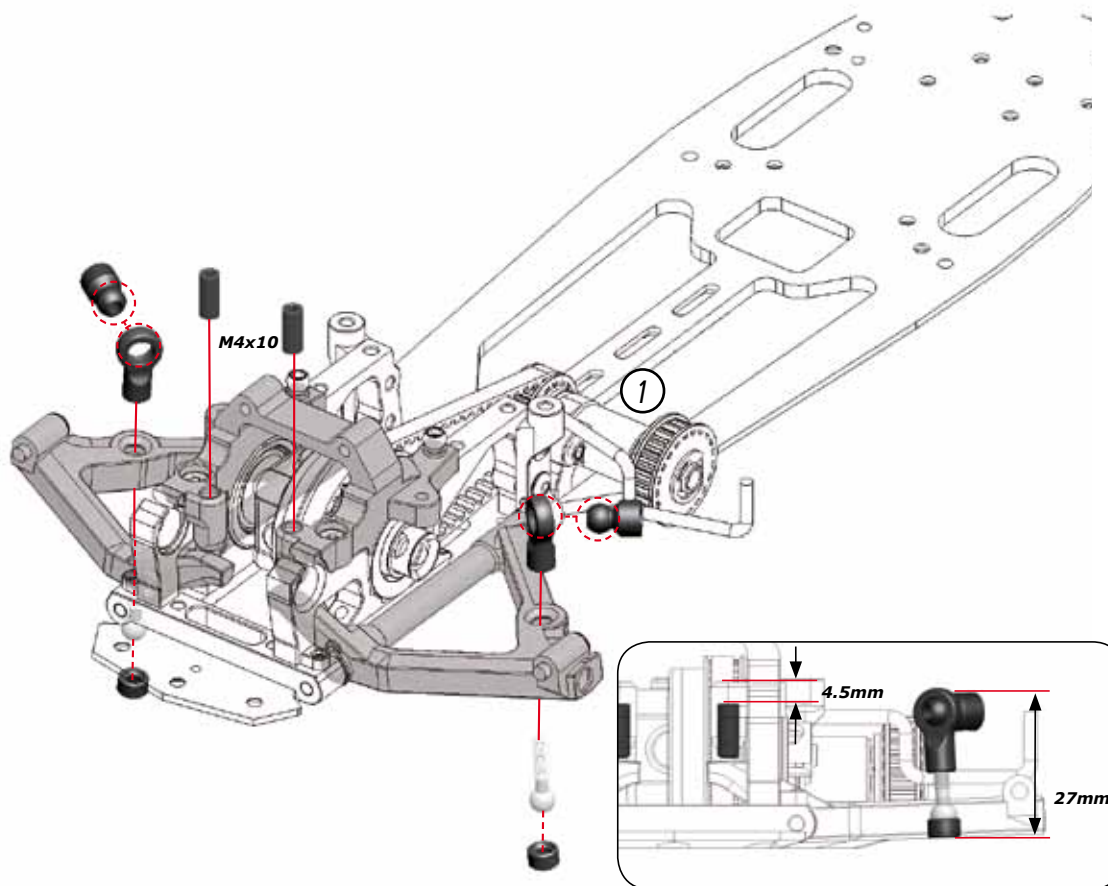
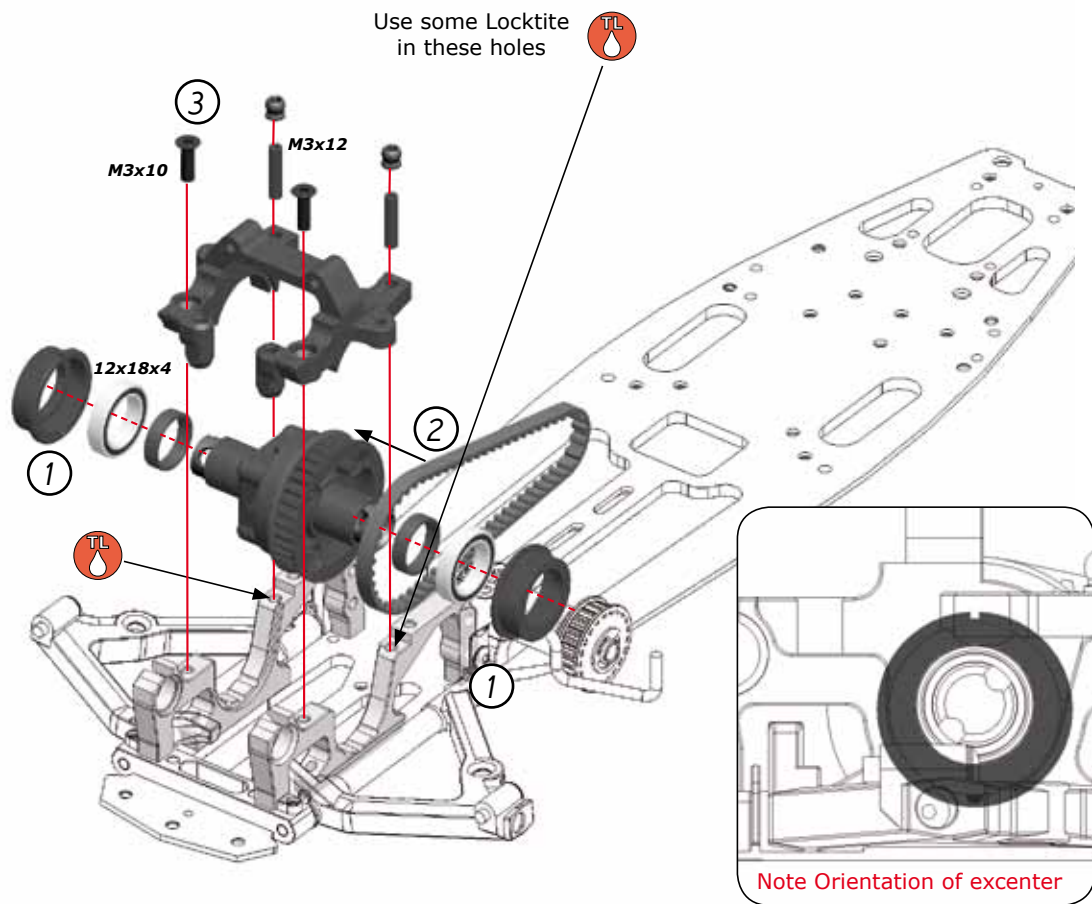


A

8

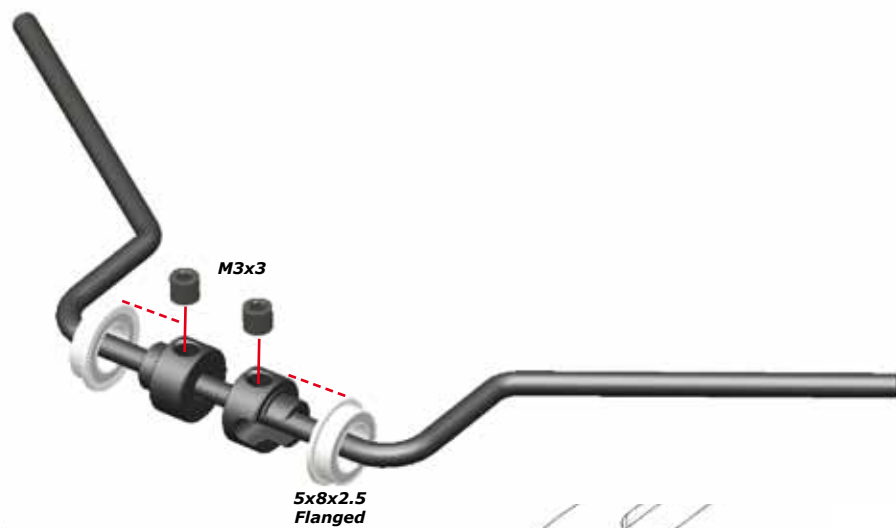






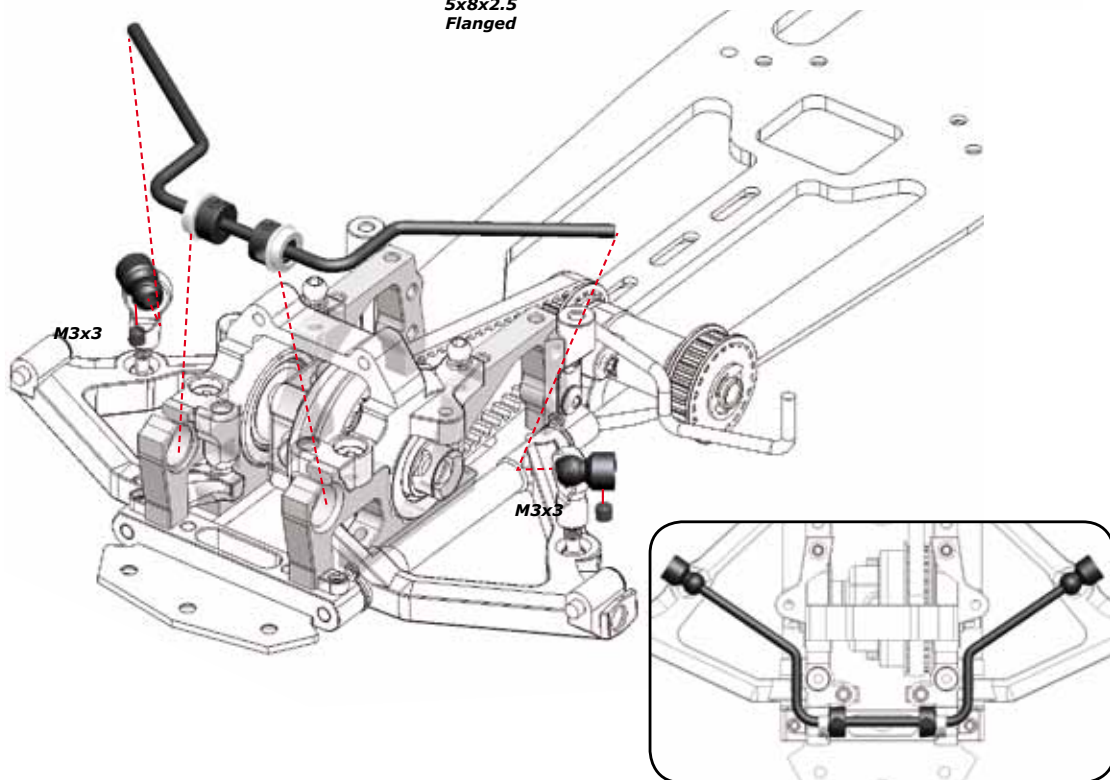
A

11A



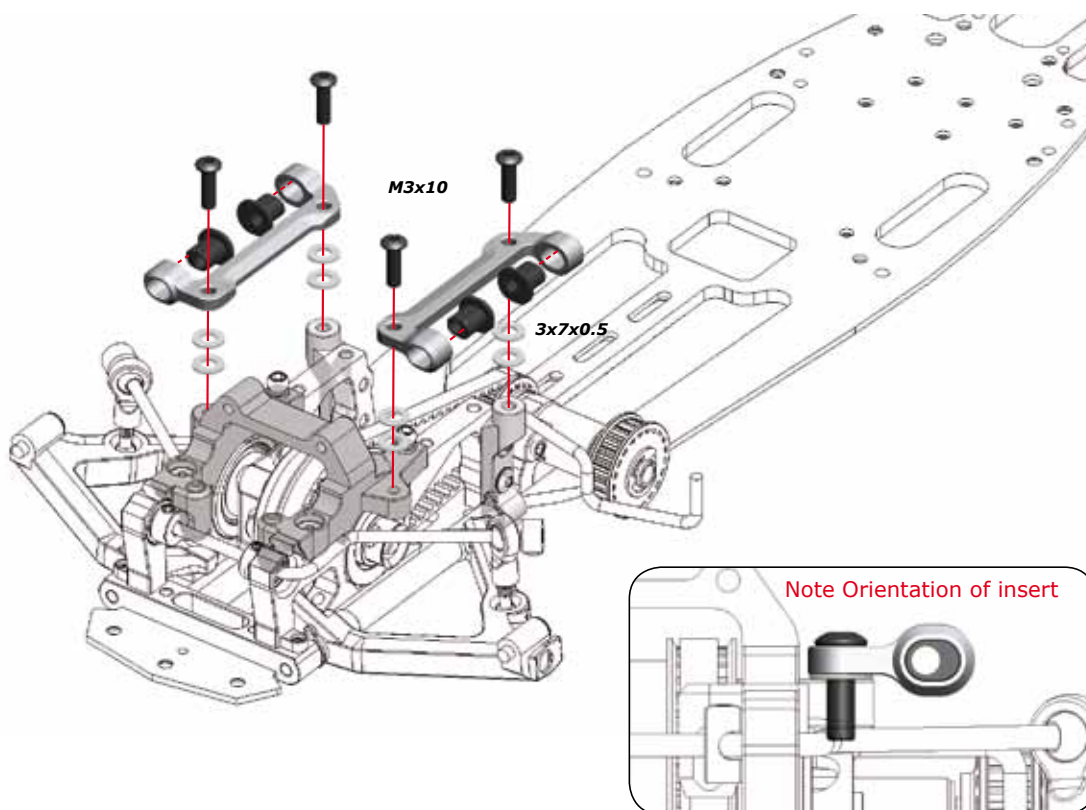
A

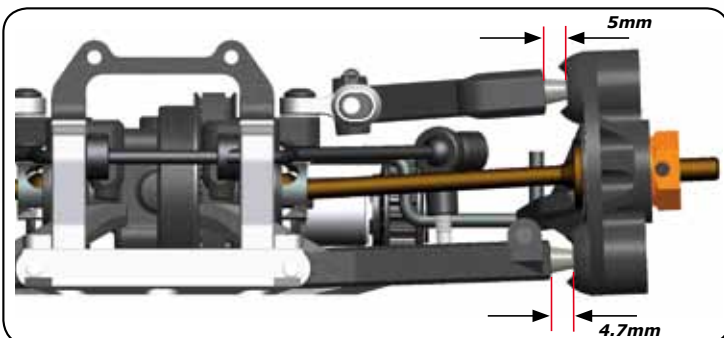
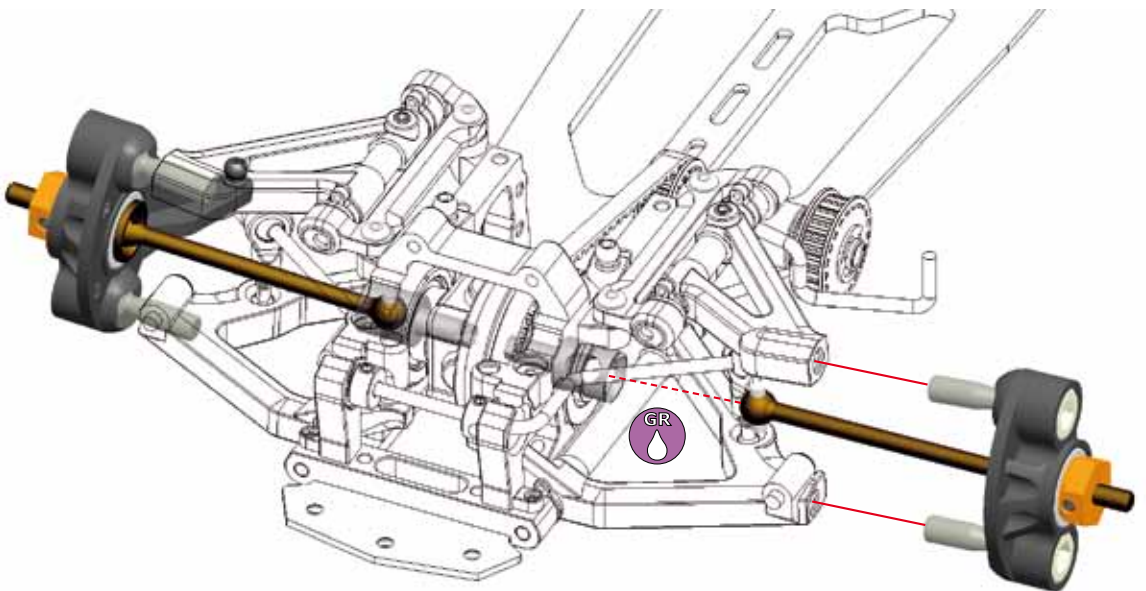
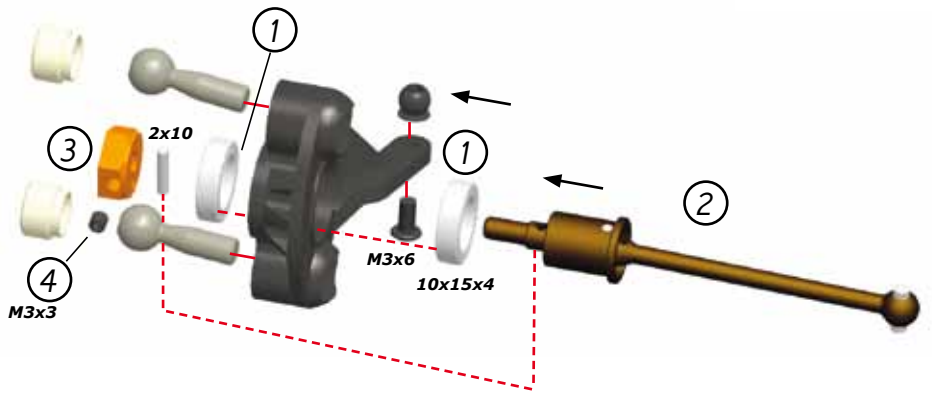
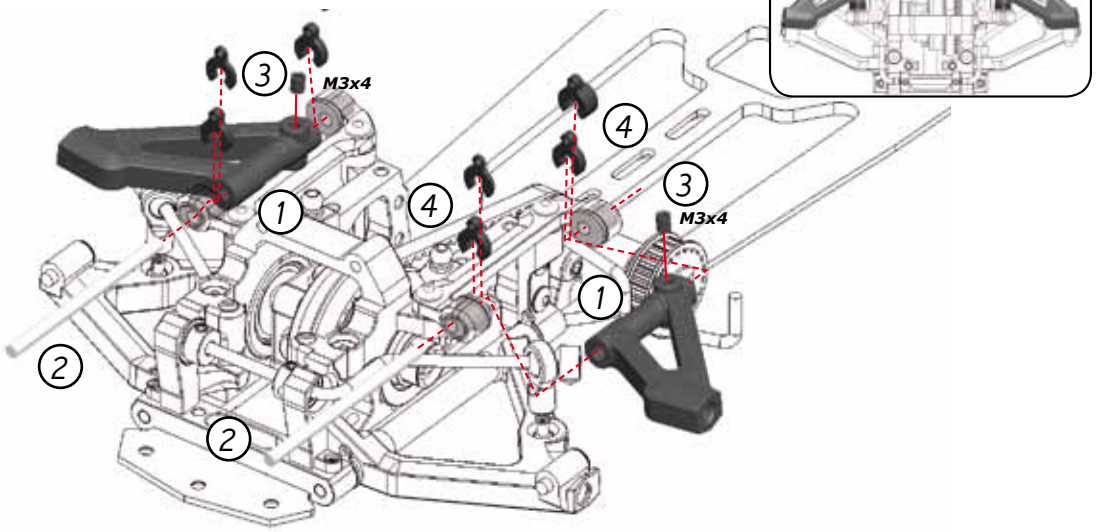
11B



A

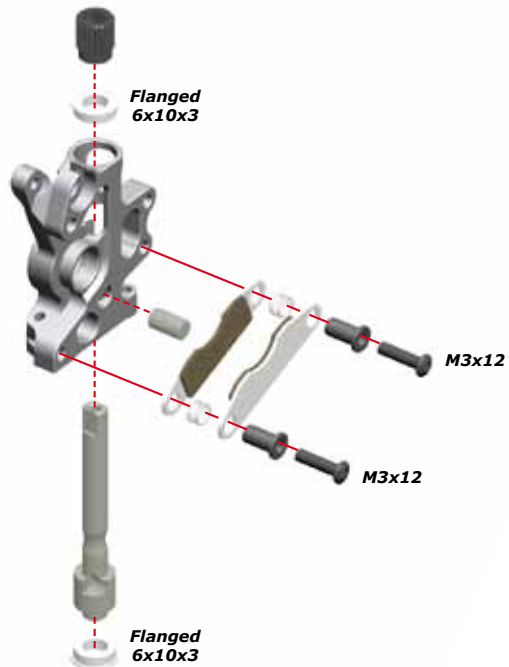
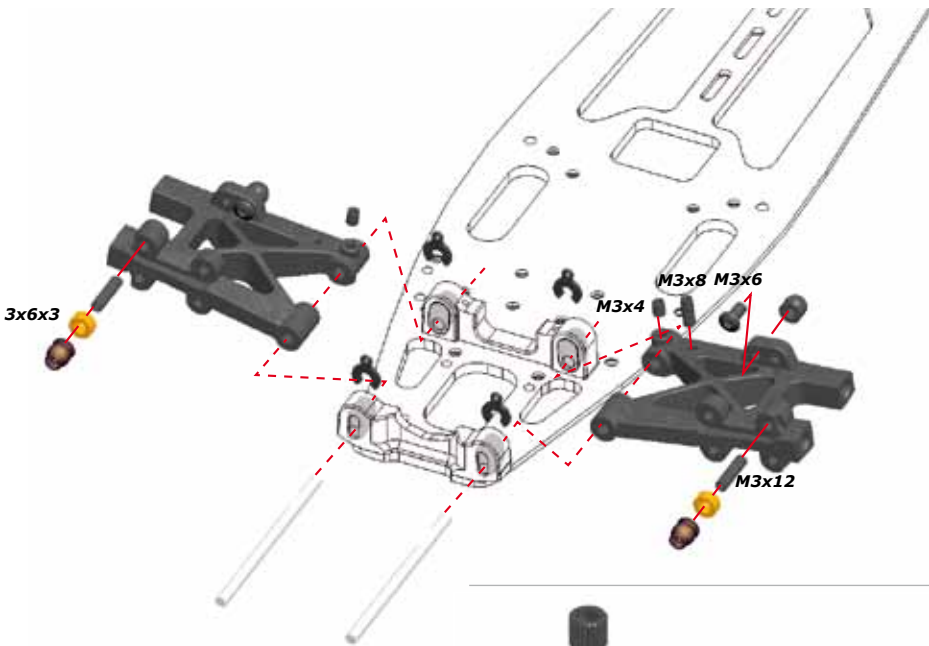
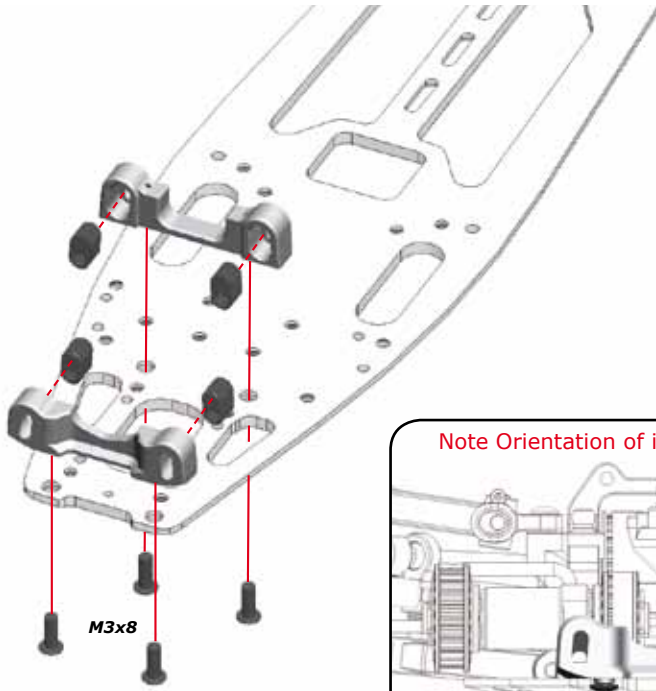
12

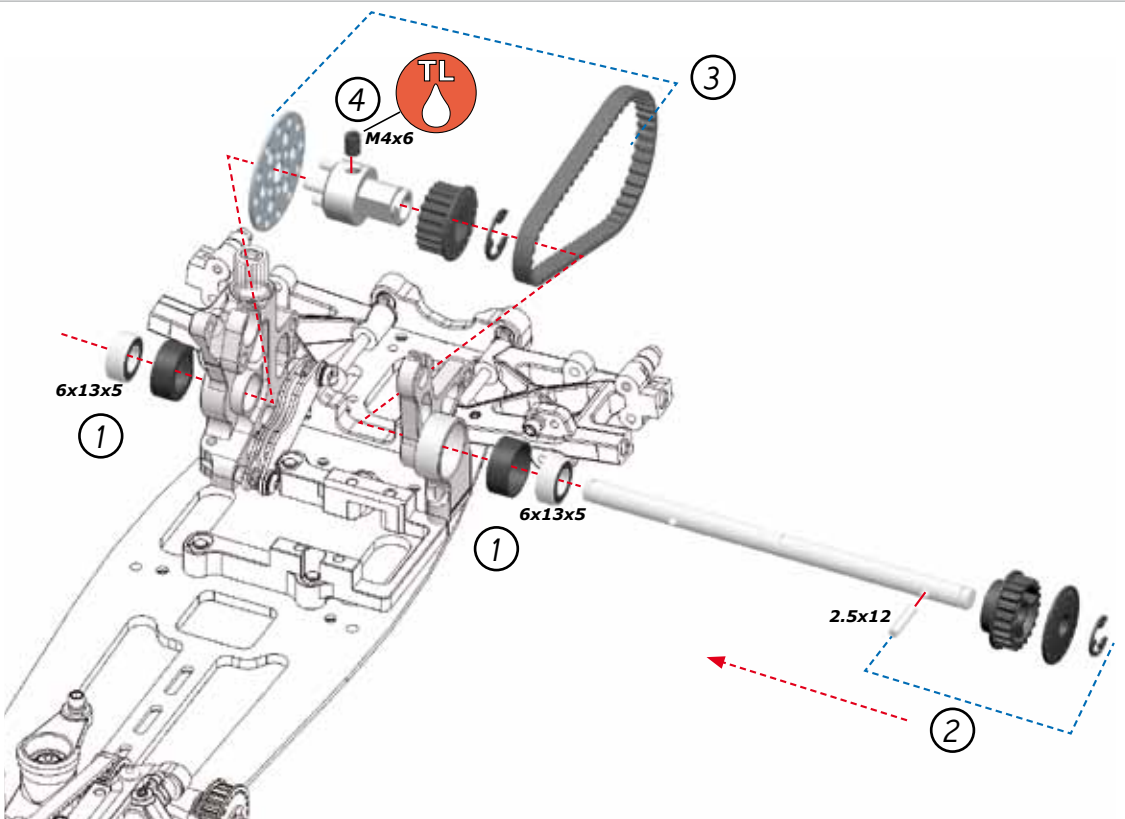
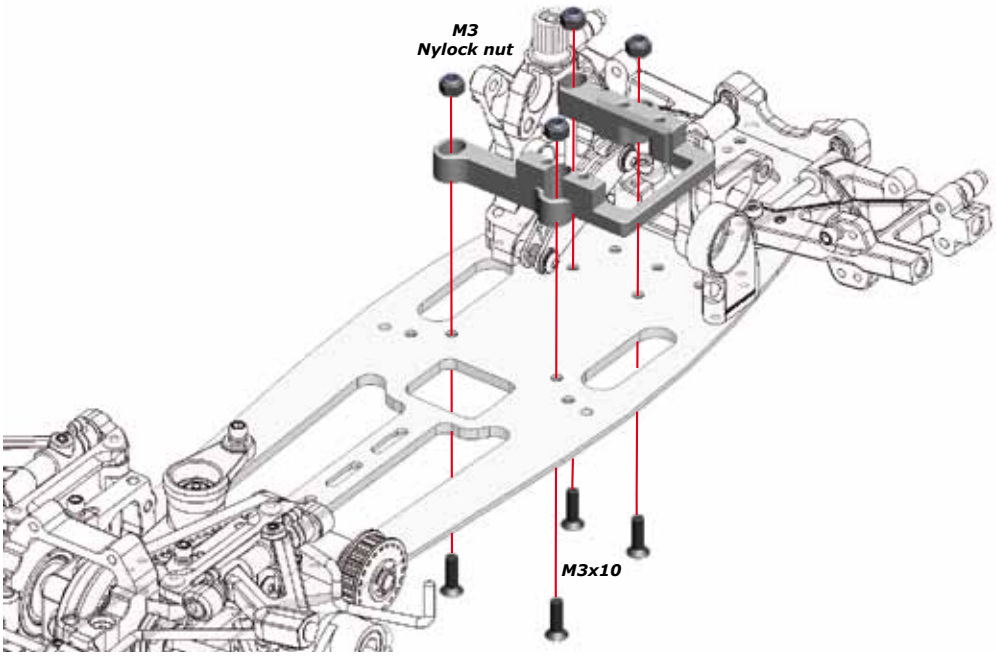
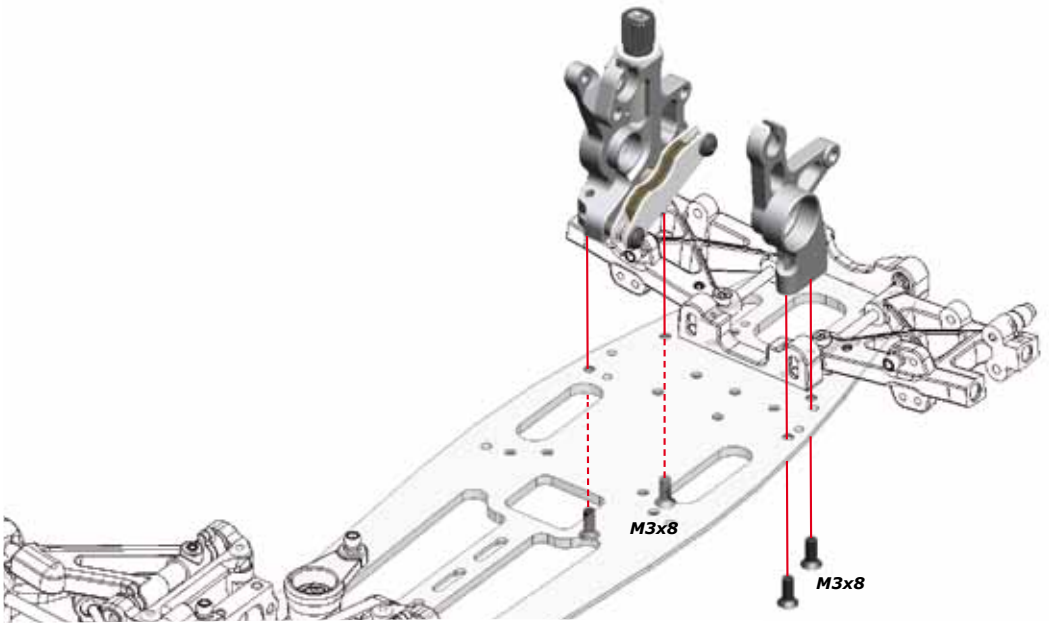


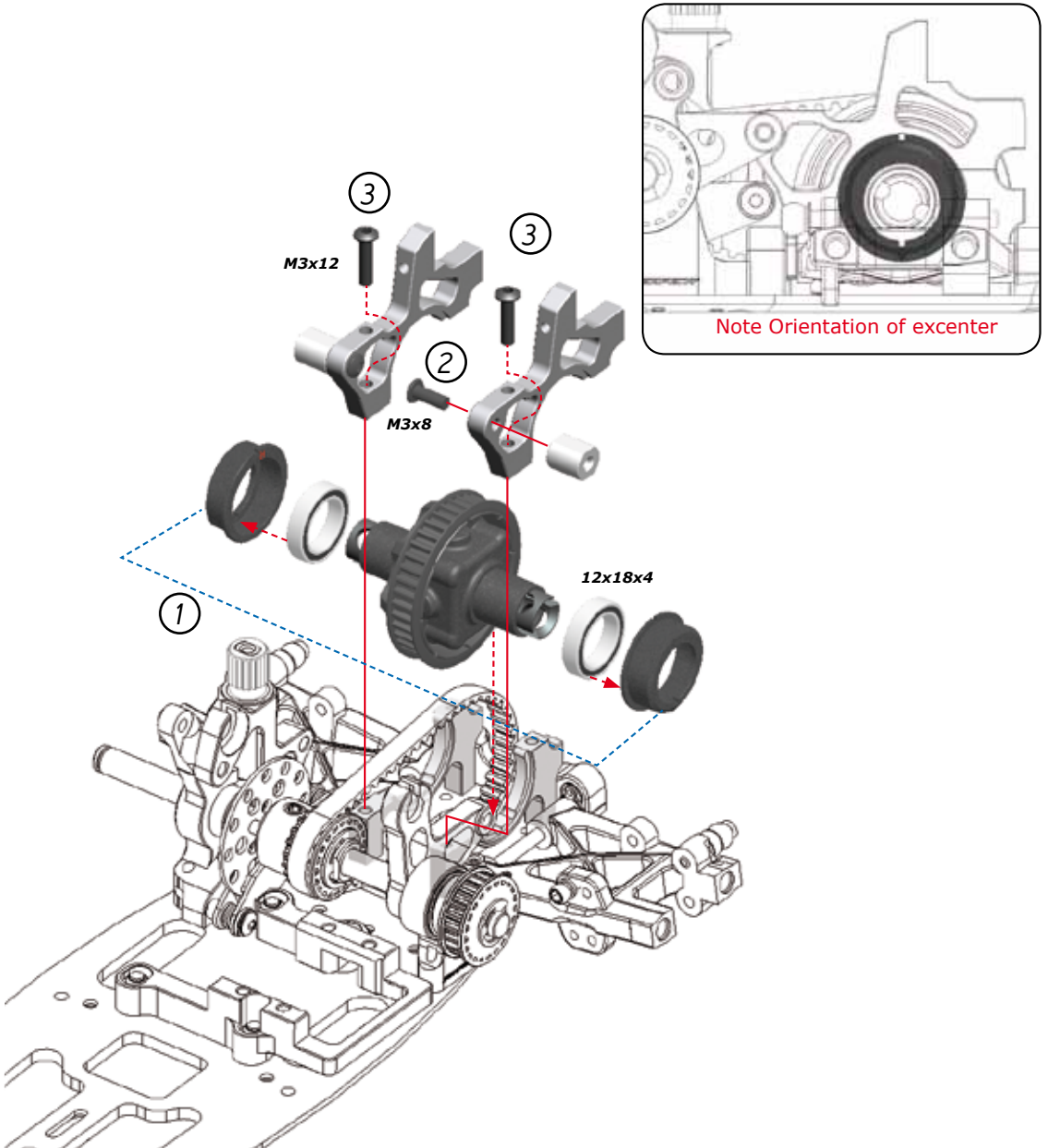
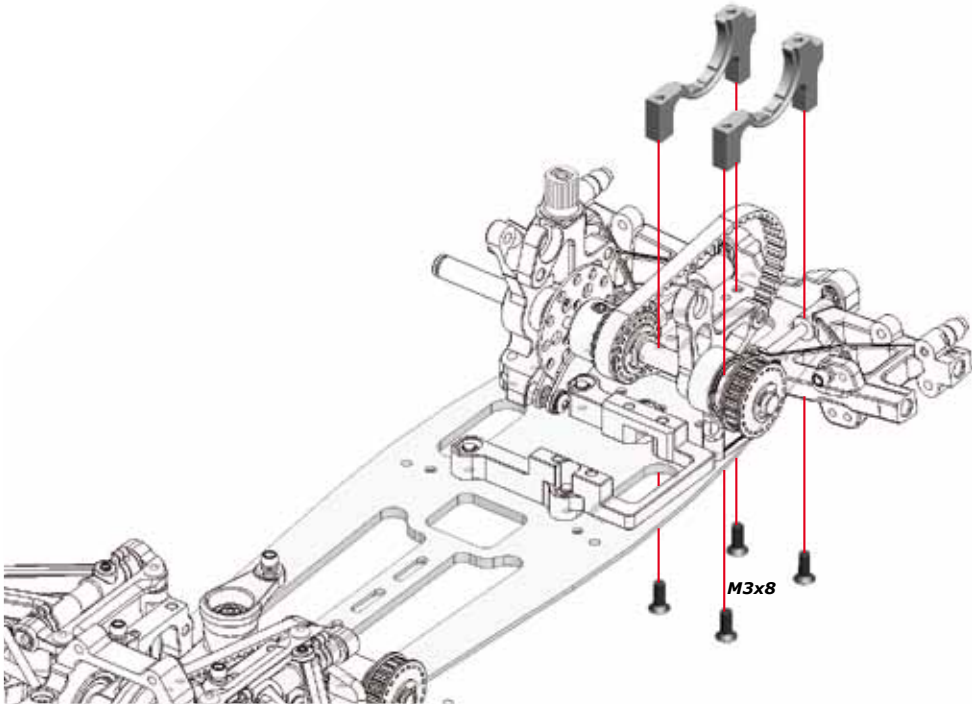




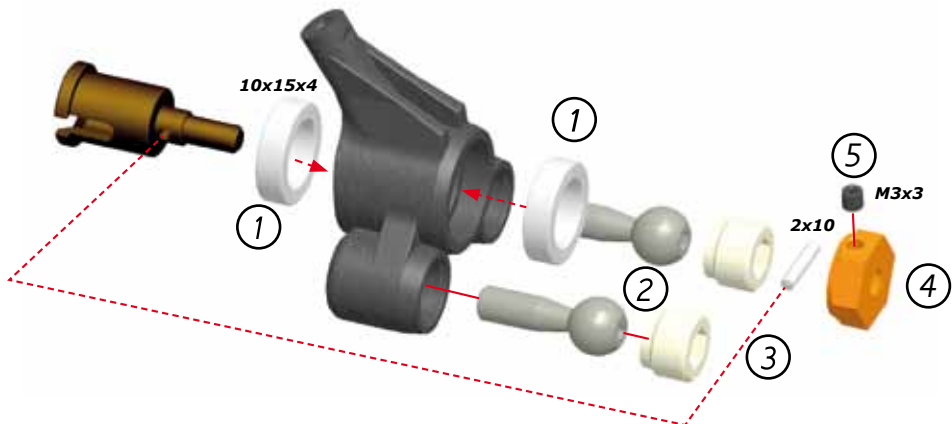
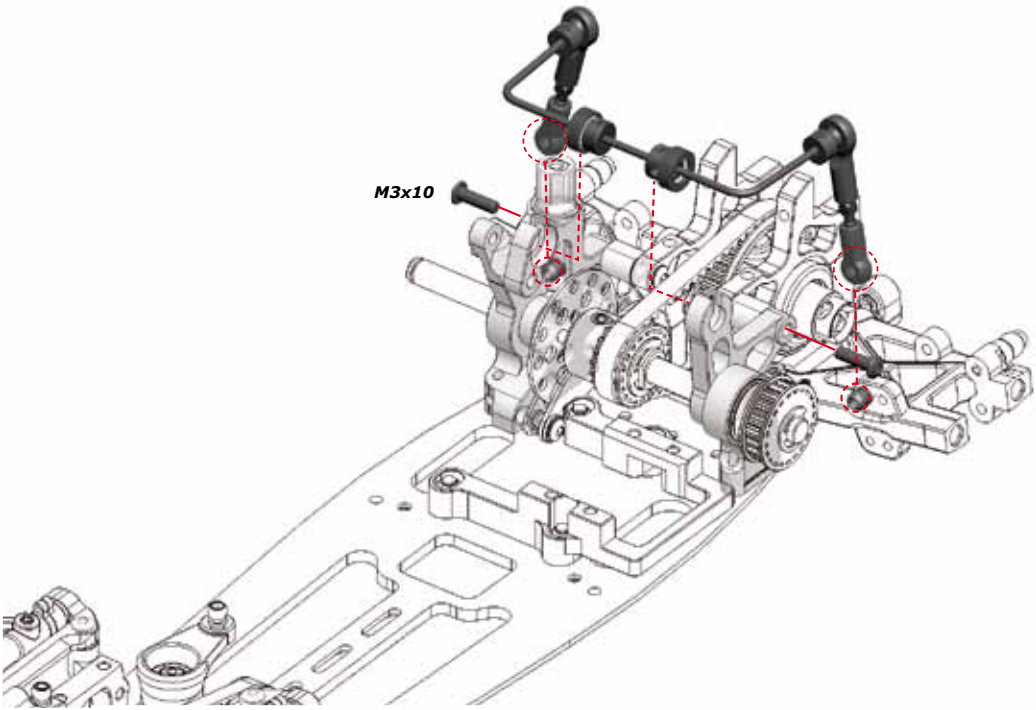
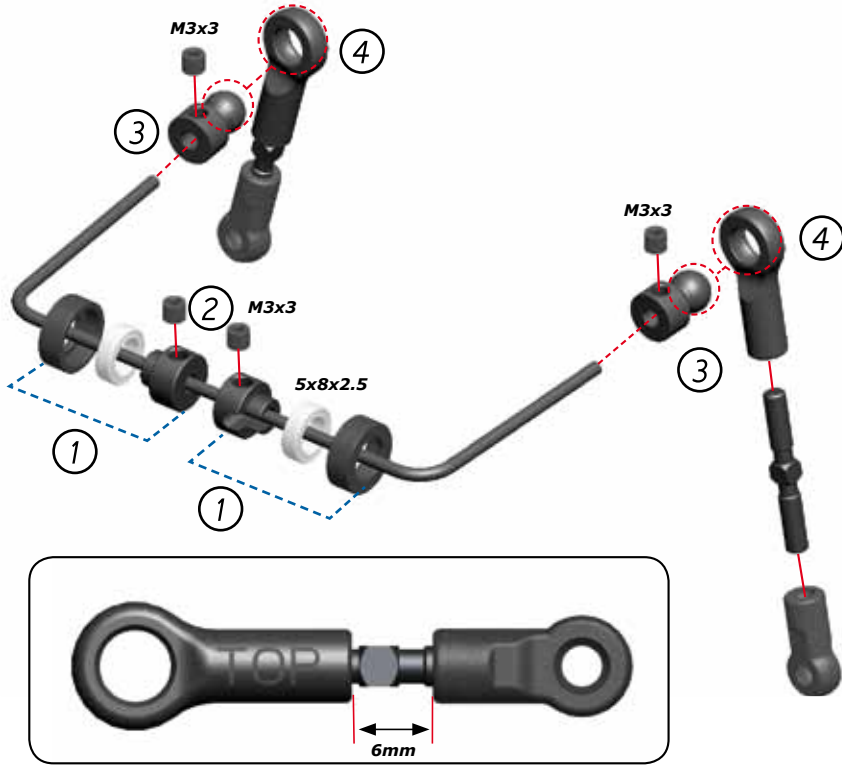


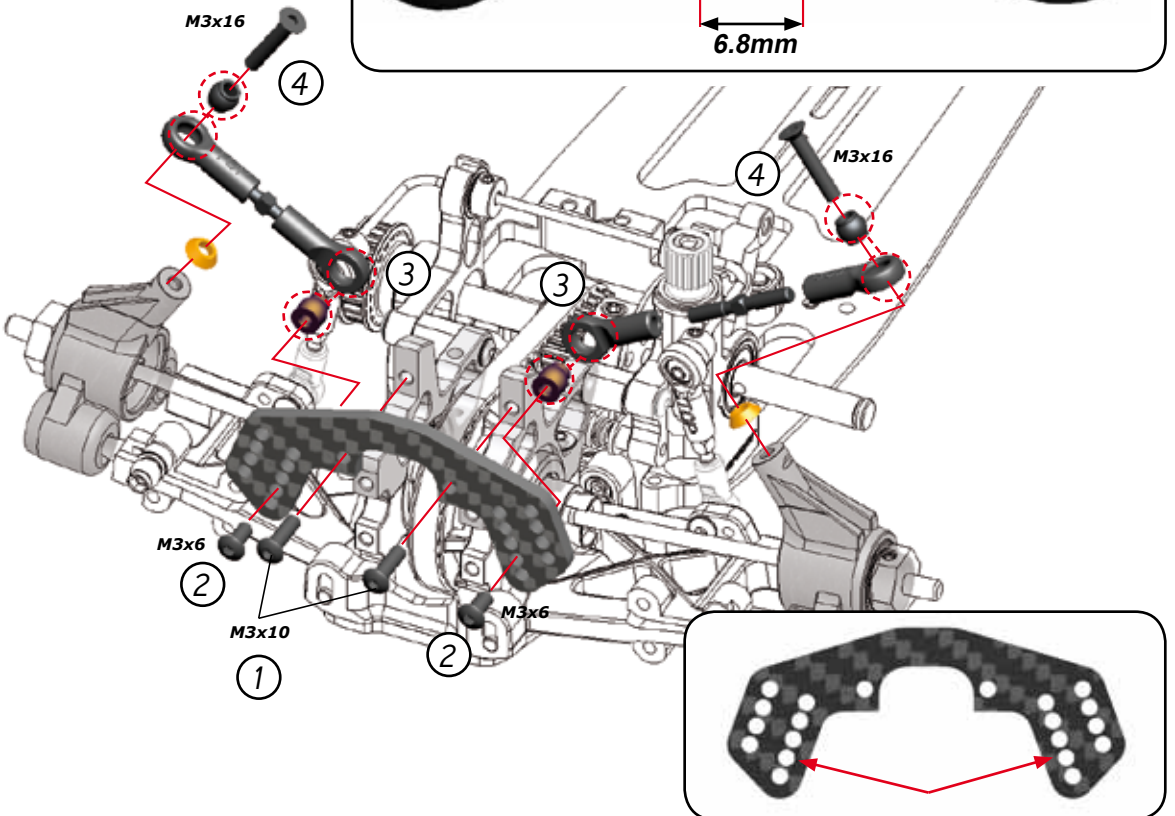
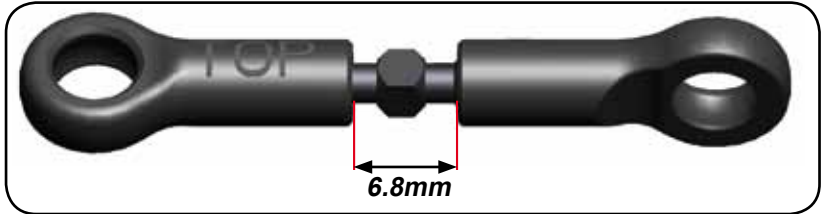
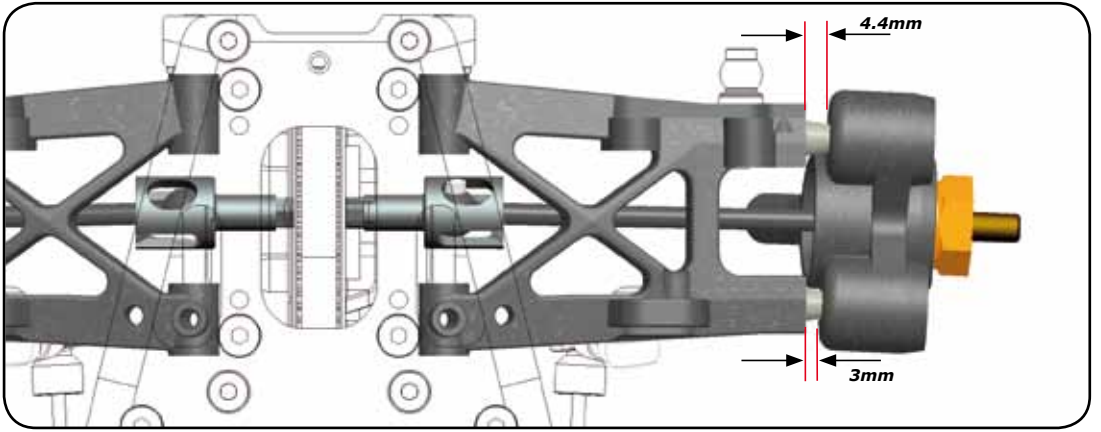
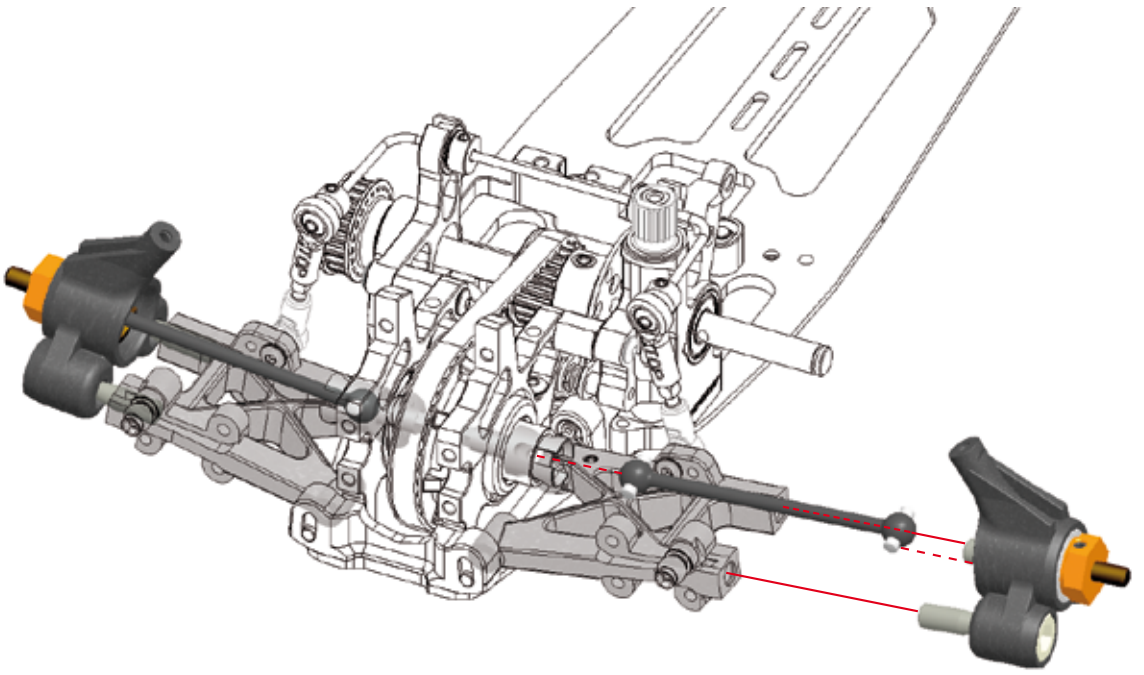








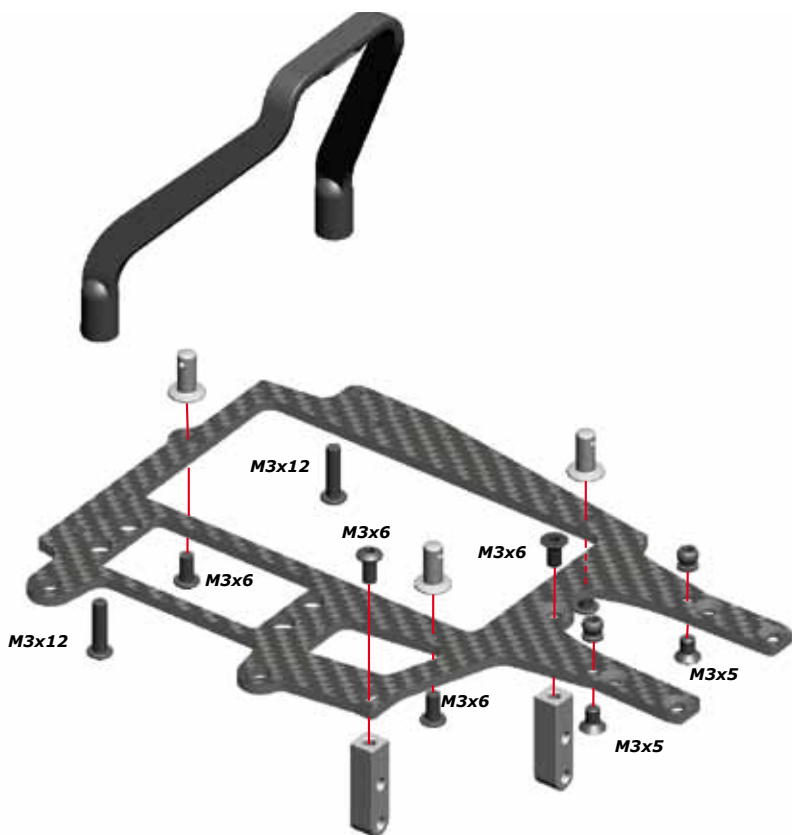




# C RADIO PLATE ASSEMBLY

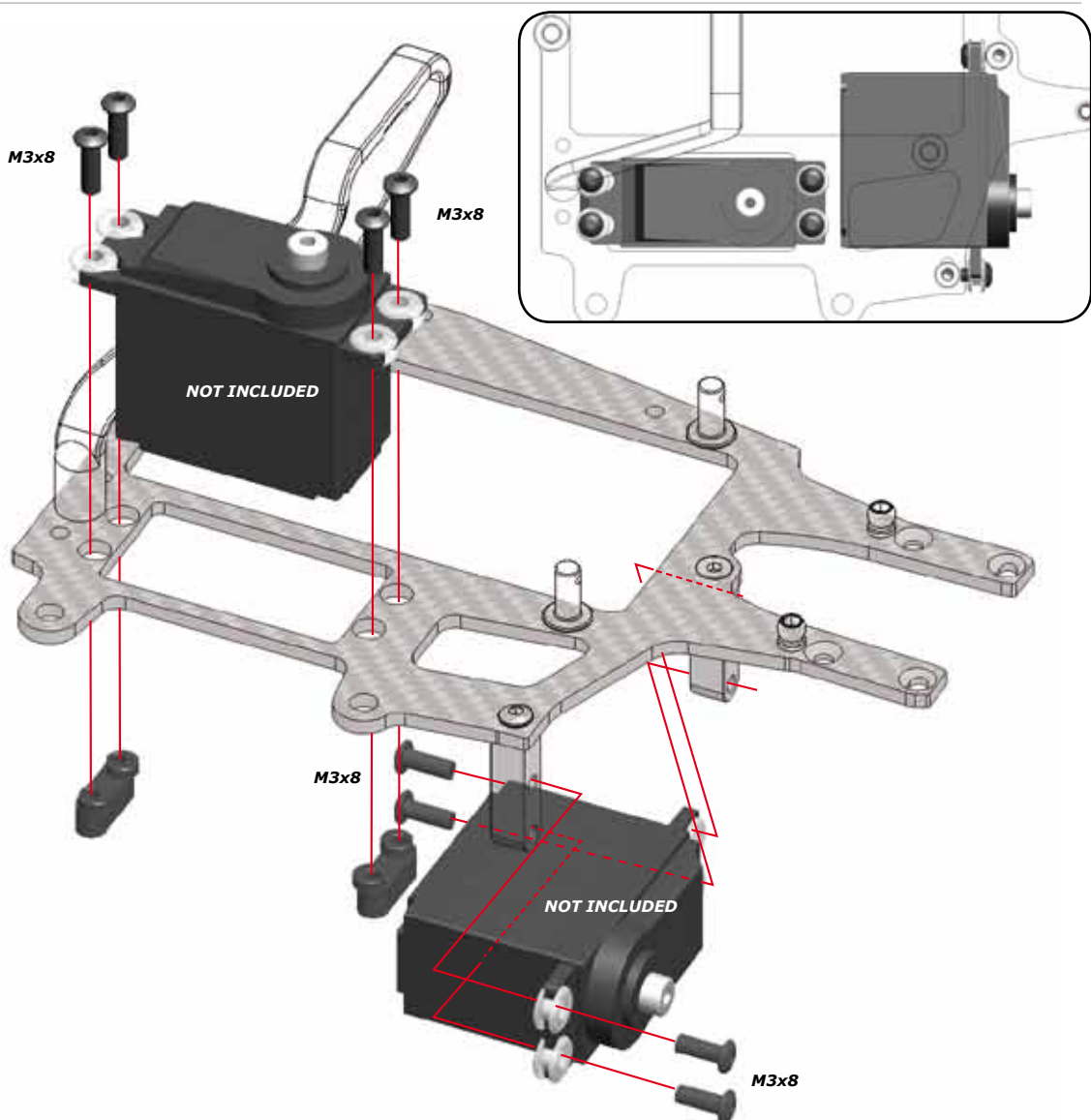
1

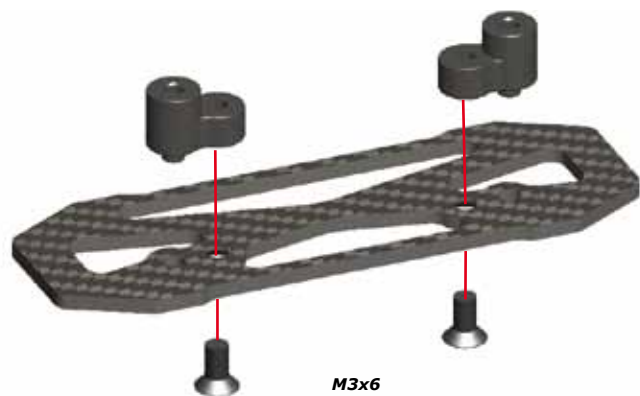
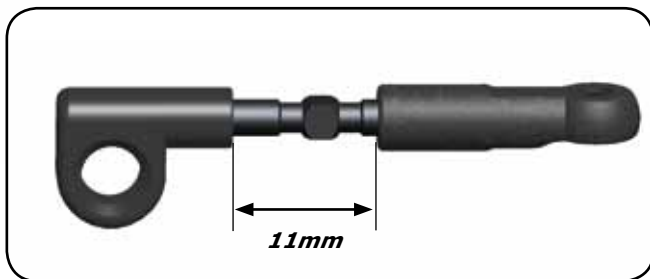
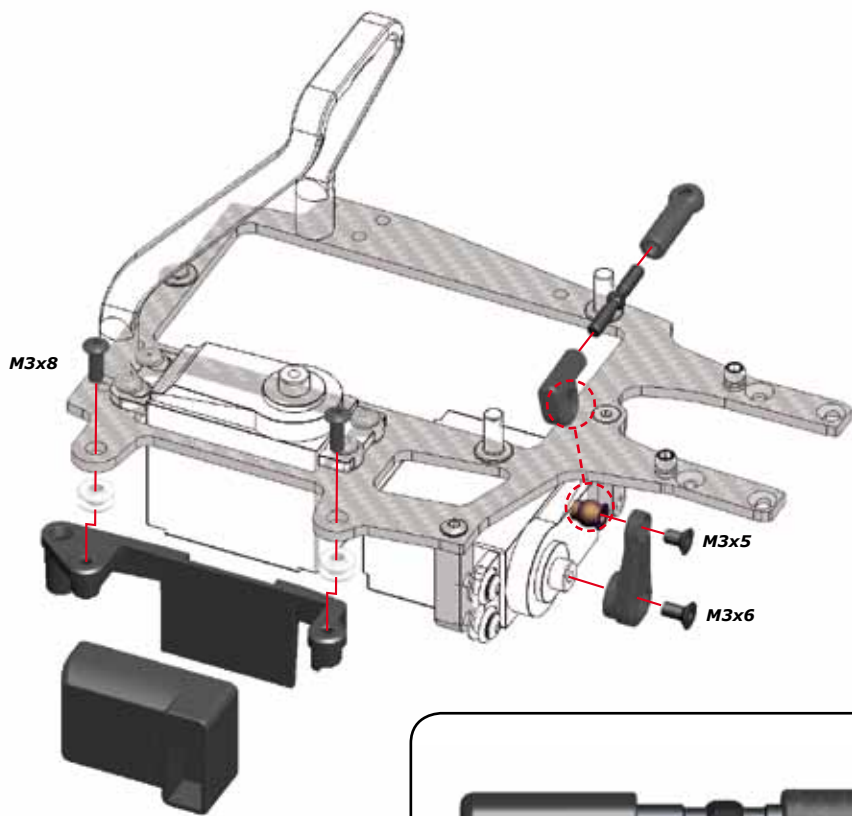
Bag  
7



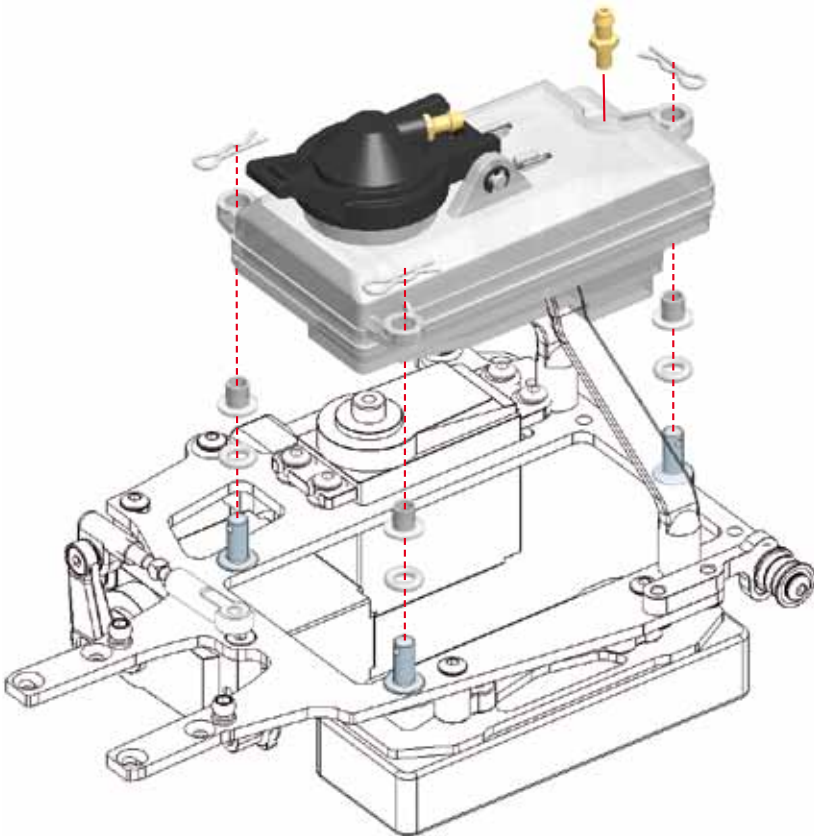
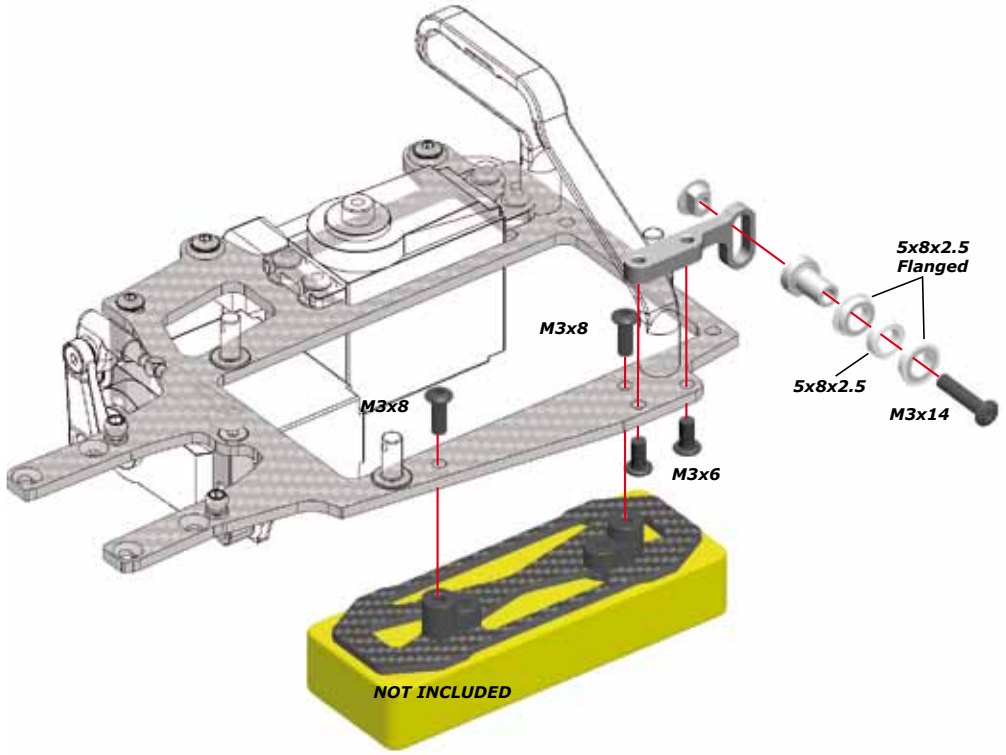
C

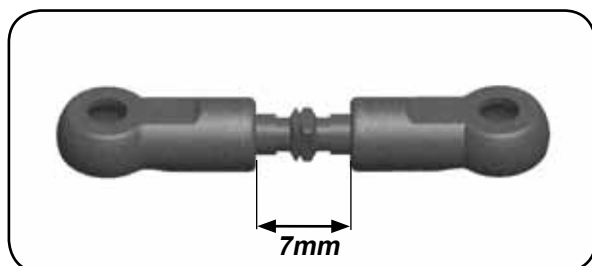
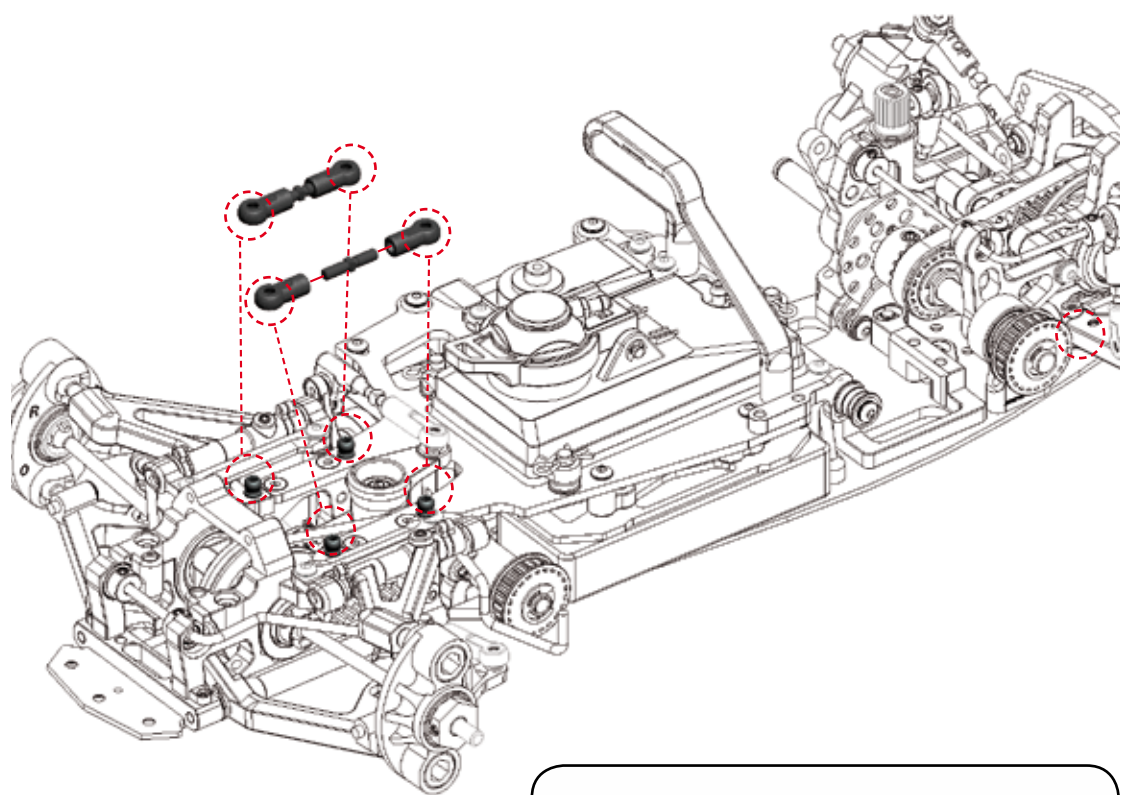
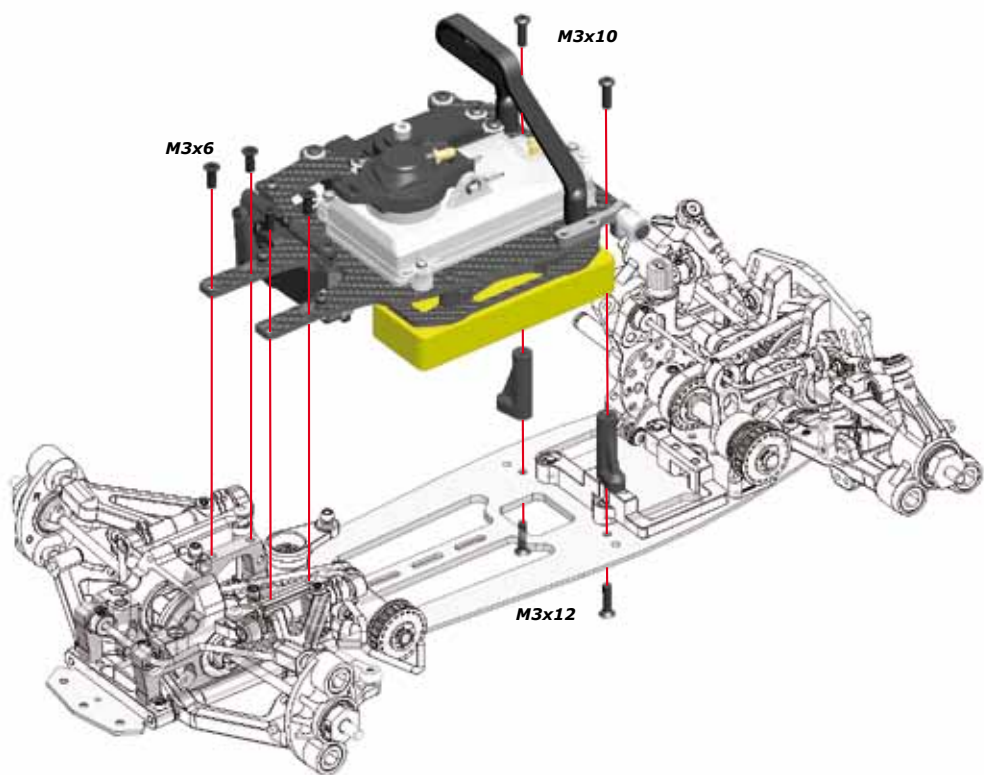
2

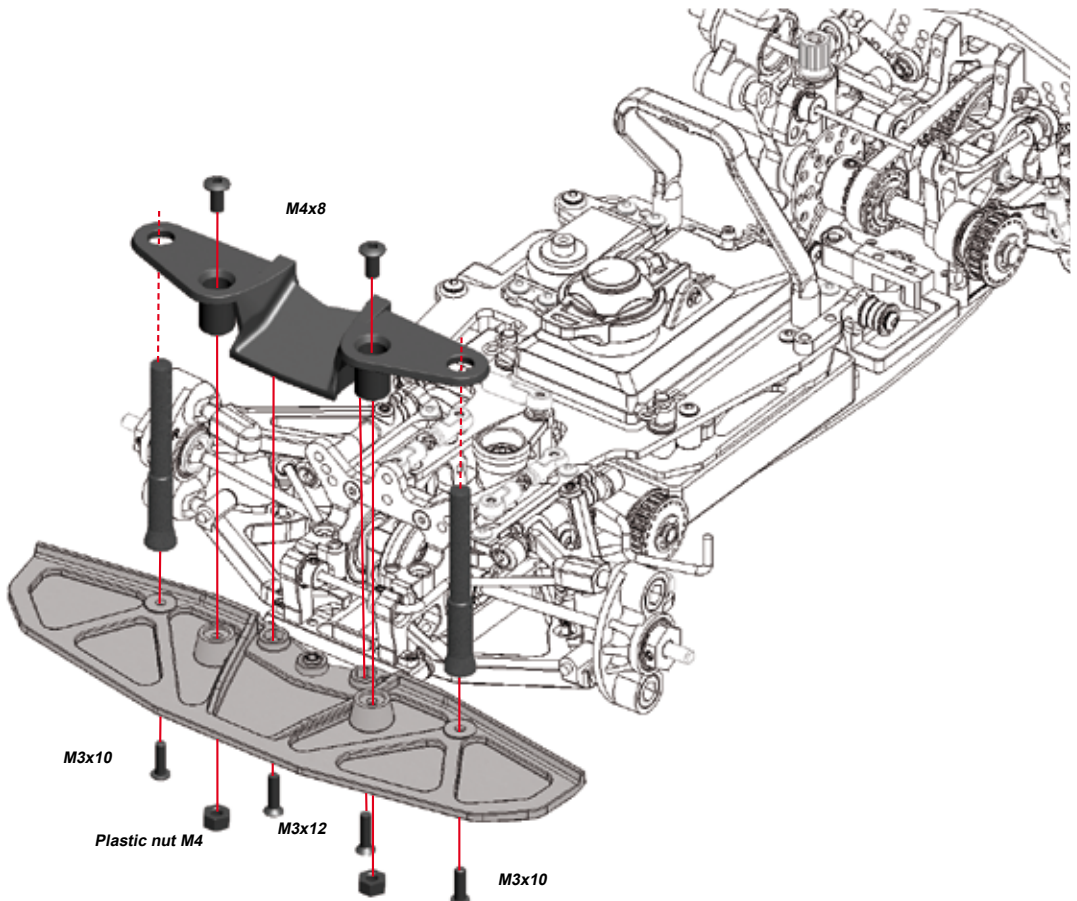
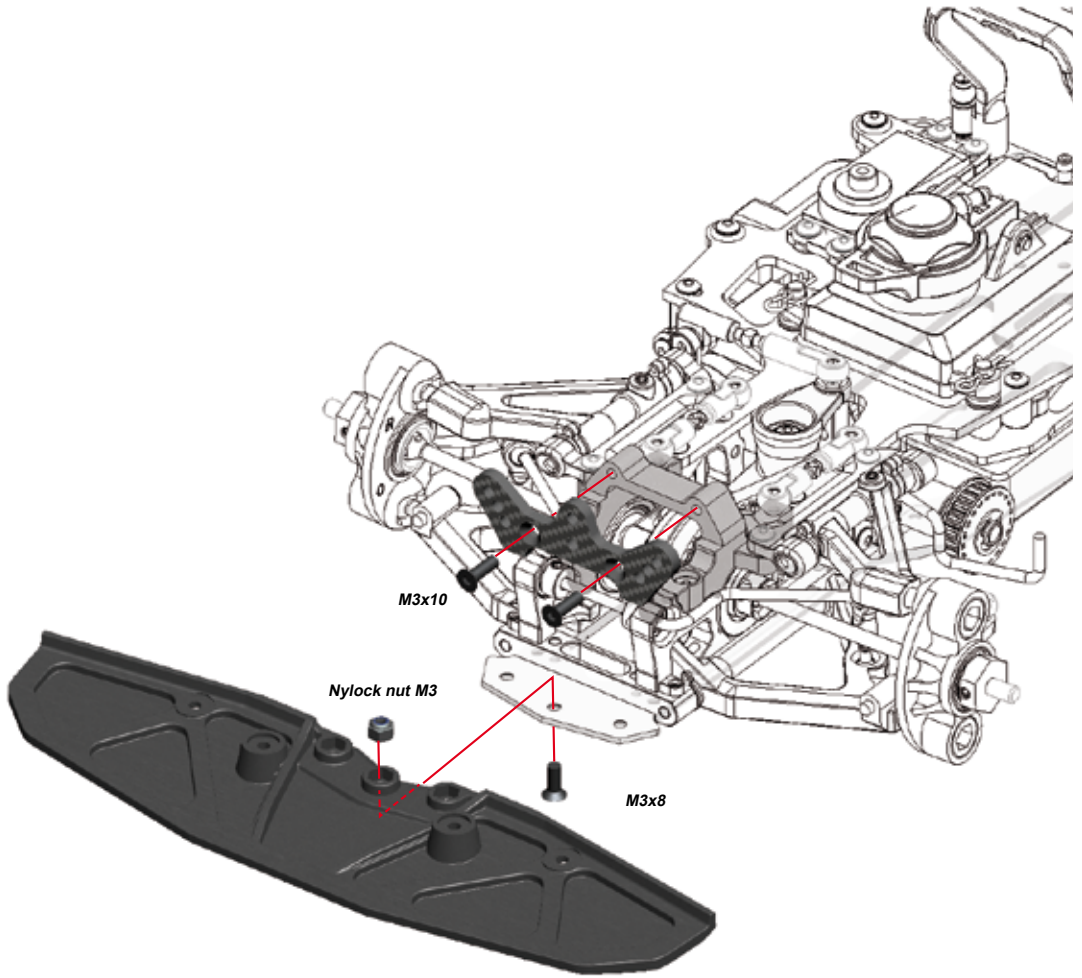




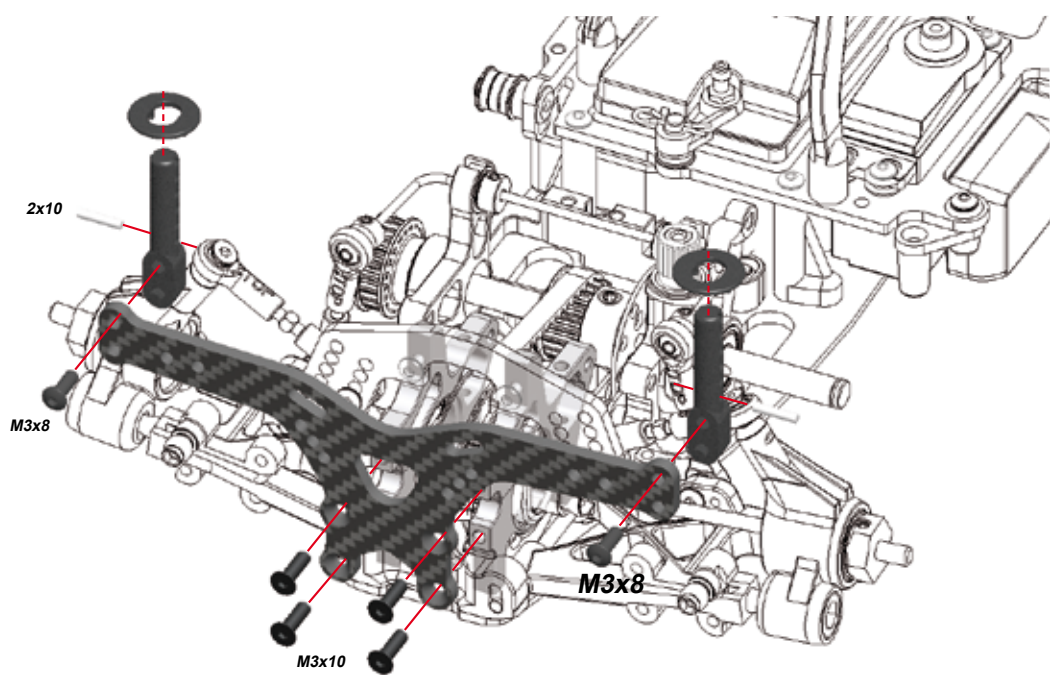
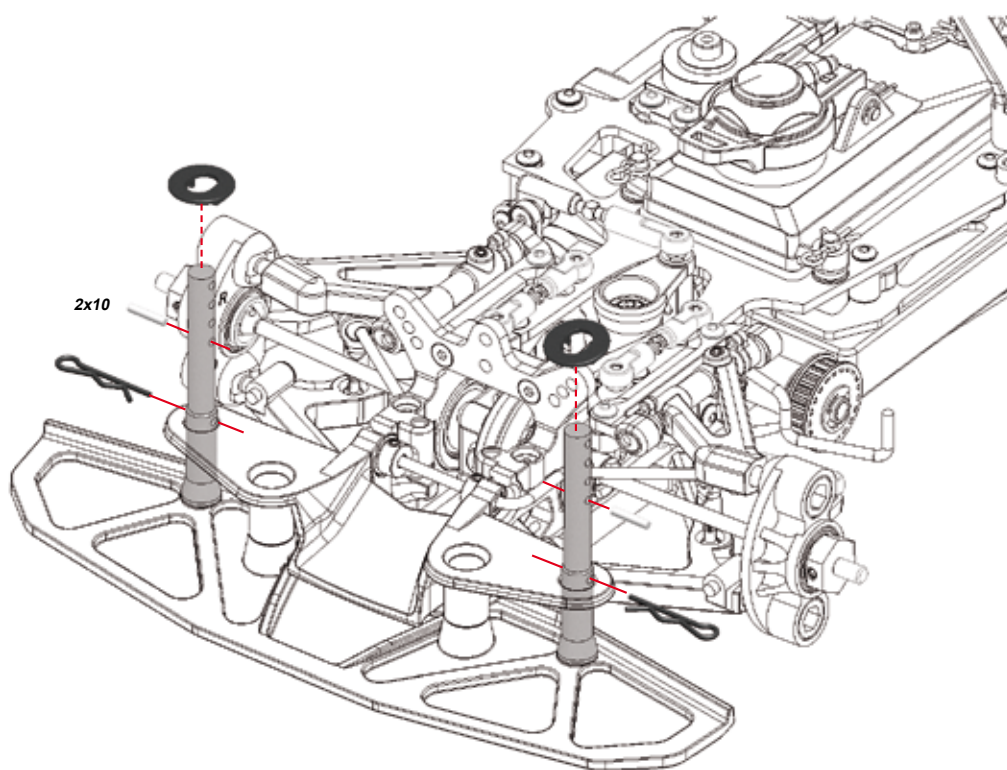














# RCM SHOCK ASSEMBLY

13

13A

use some oil during assembly



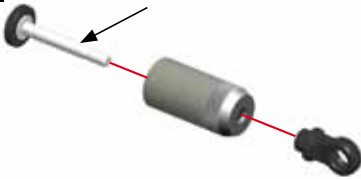
13B

use some Locktite to fix the nut

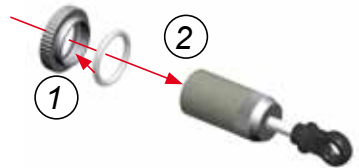


13C

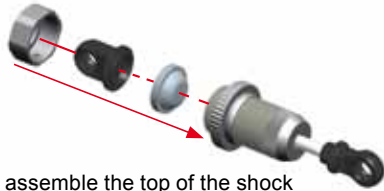
use some oil during assembly



13D



13E



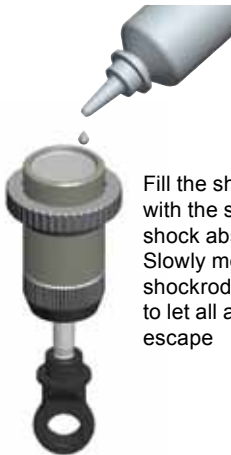
assemble the top of the shock this will press the membrane into the shocktop.

13F

remove the top of the shock



13G



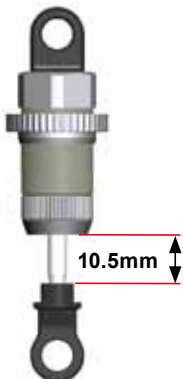
Fill the shock body with the supplied shock absorber oil. Slowly move the shockrod up and down to let all airbubbles escape

13H

close the top of the shock



13 I



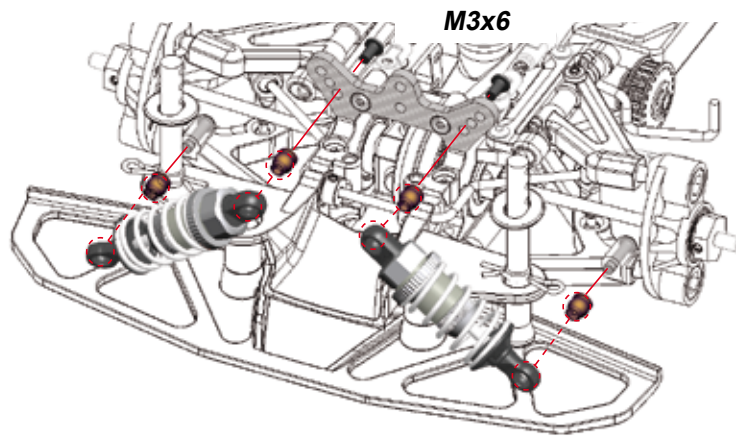
13 J

assemble the spring and springcup to complete the shock  
front: red  
rear: red



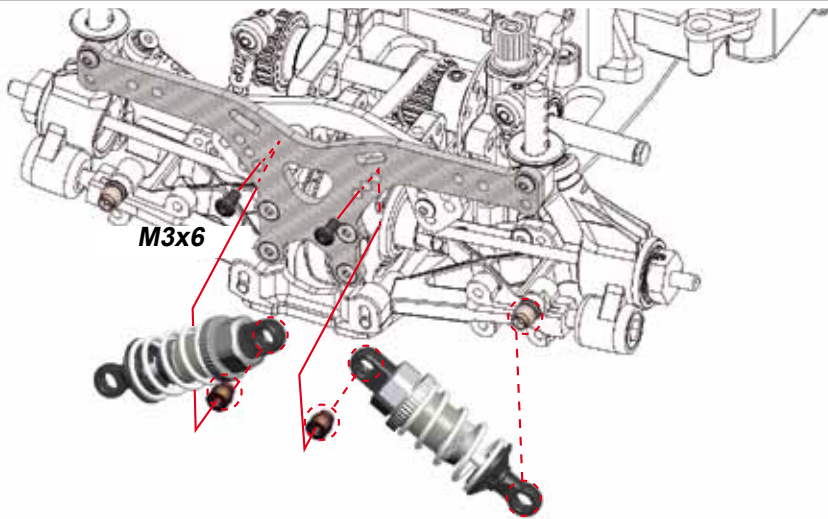
C

14



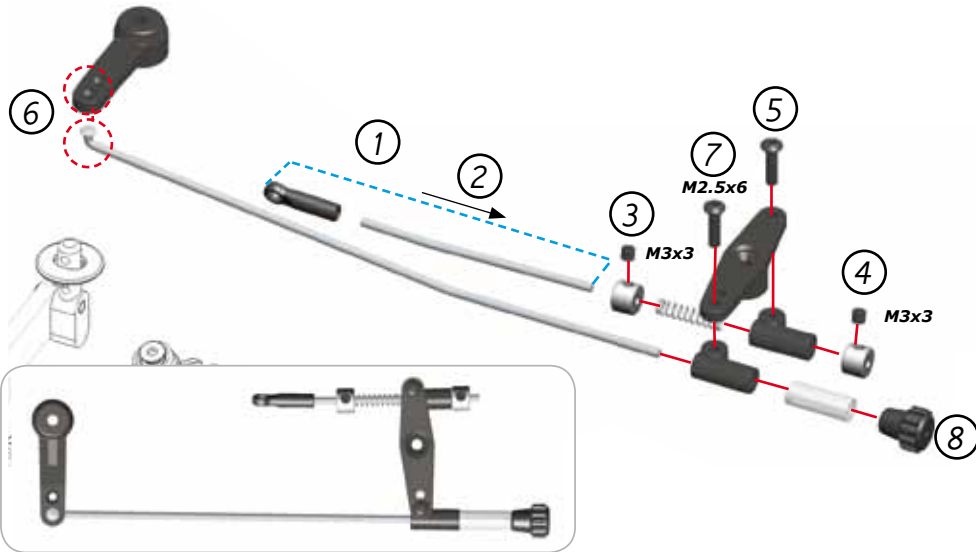
C

15



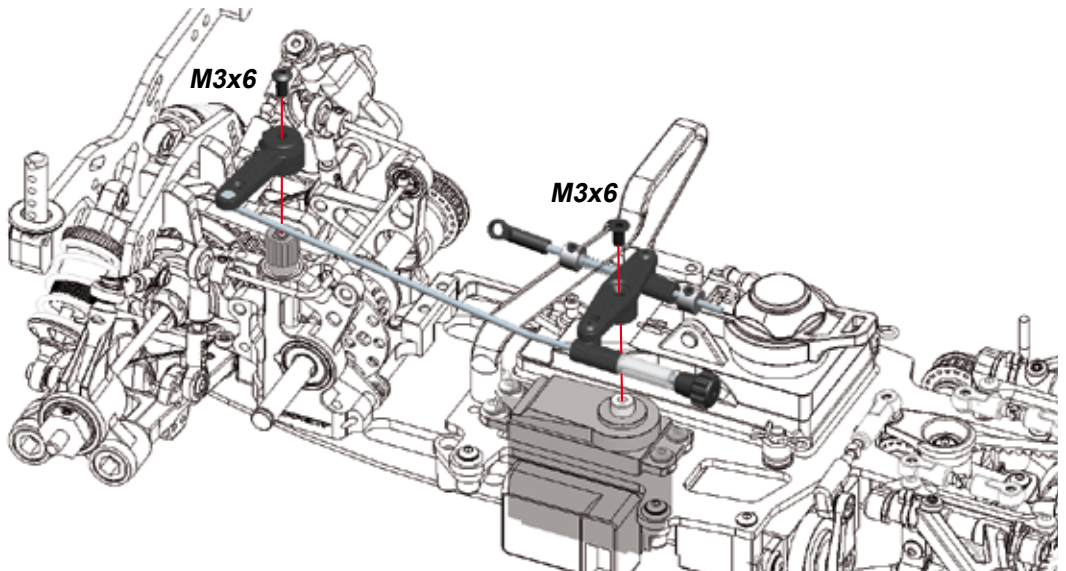
C

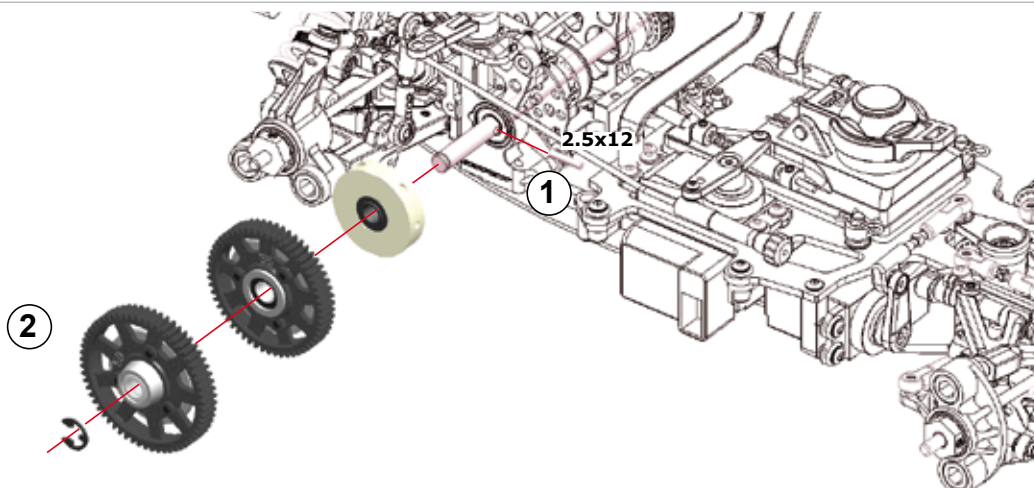
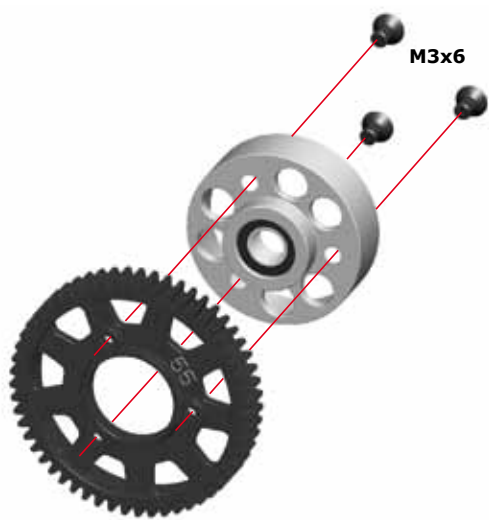
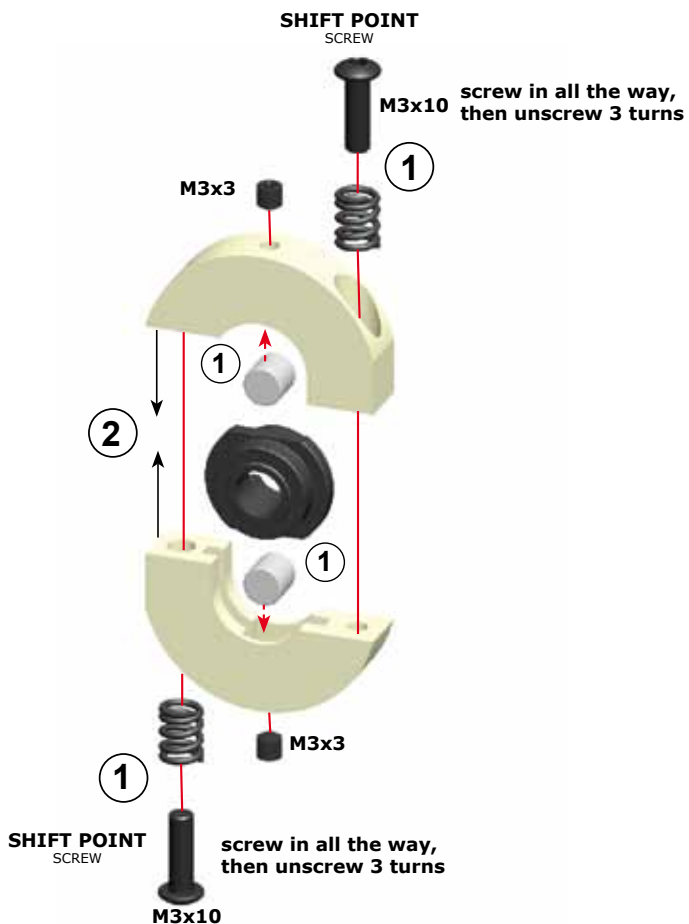
16



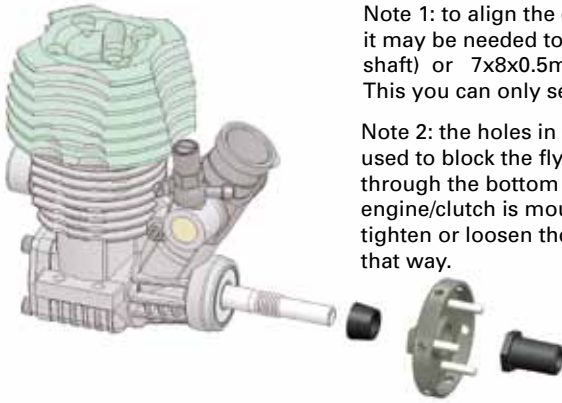
C

17



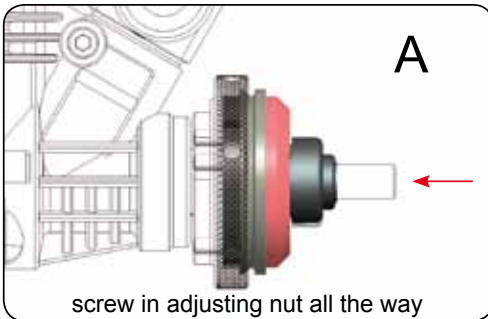
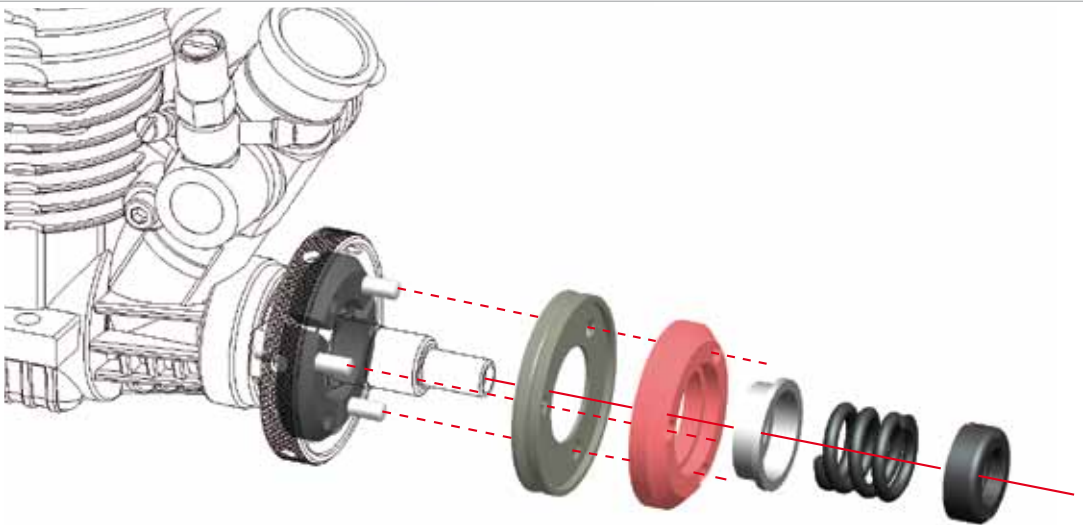
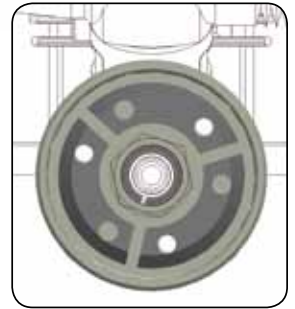
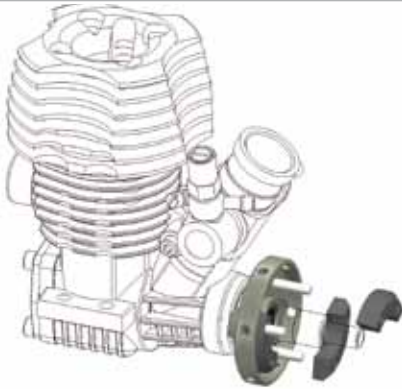


# CENTAX ASSEMBLY

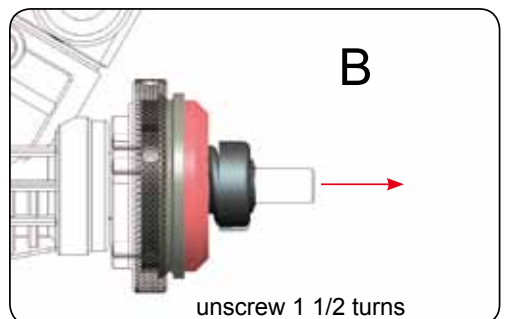


Note 1: to align the clutchgears with the 2-speed gears, it may be needed to use shim(s) 6x8x0.5mm ( for 6mm shaft) or 7x8x0.5mm (for 7mm shaft) behind the cone. This you can only see after assembly of the clutch.

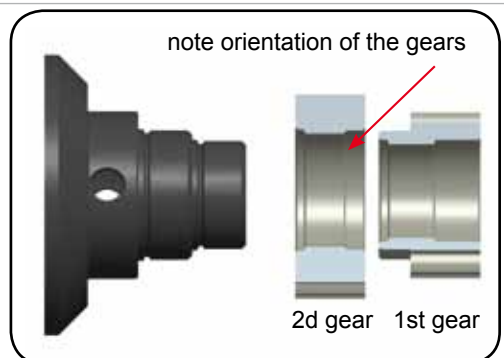
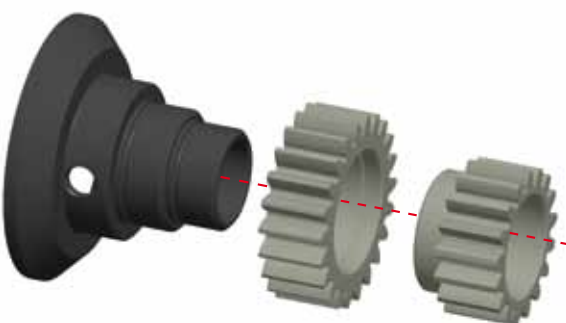
Note 2: the holes in the side of the flywheel can be used to block the flywheel (with short allen tool) through the bottom of the chassis, when the engine/clutch is mounted in the car. It's easier to tighten or loosen the pre-load on the clutch spring that way.



screw in adjusting nut all the way

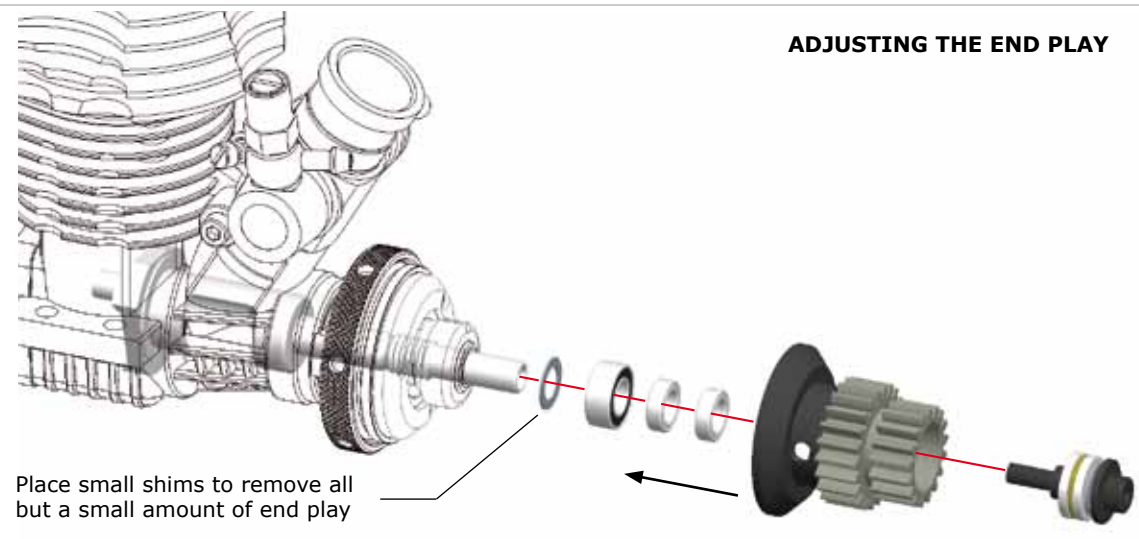
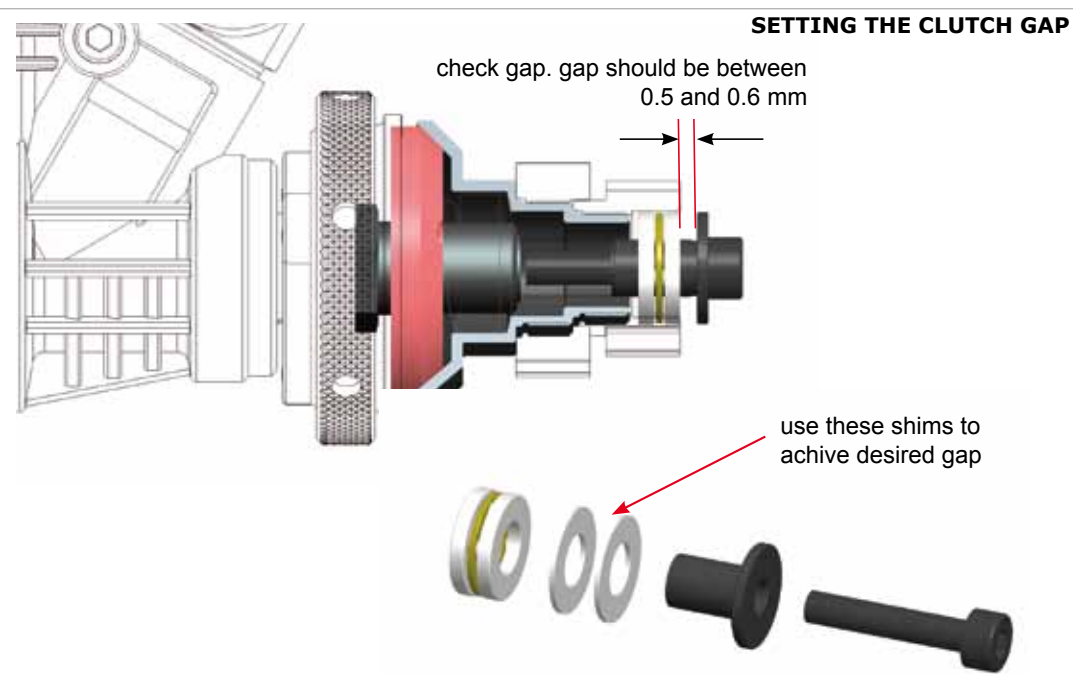
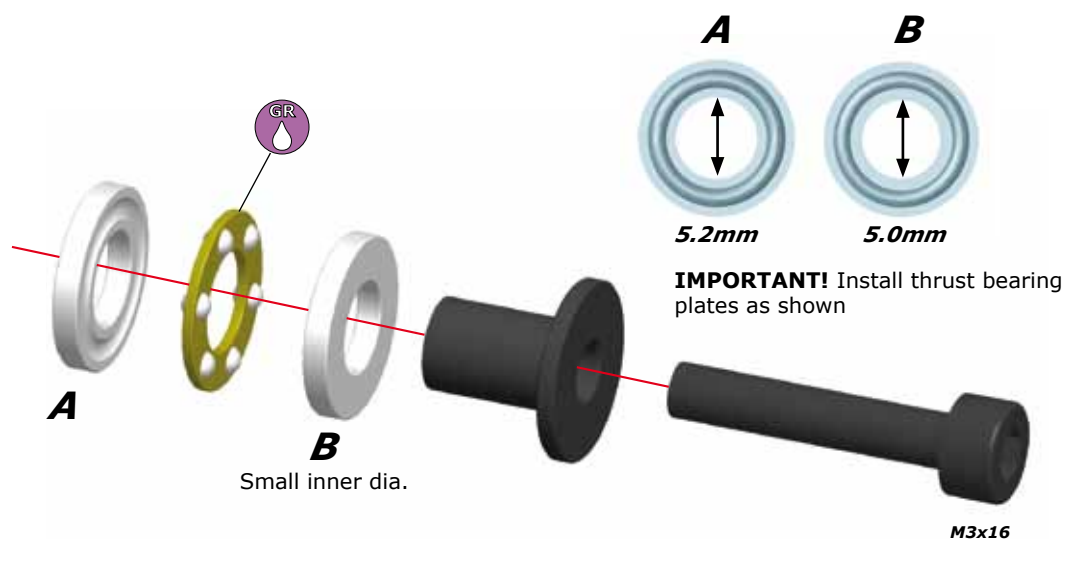


unscrew 1 1/2 turns



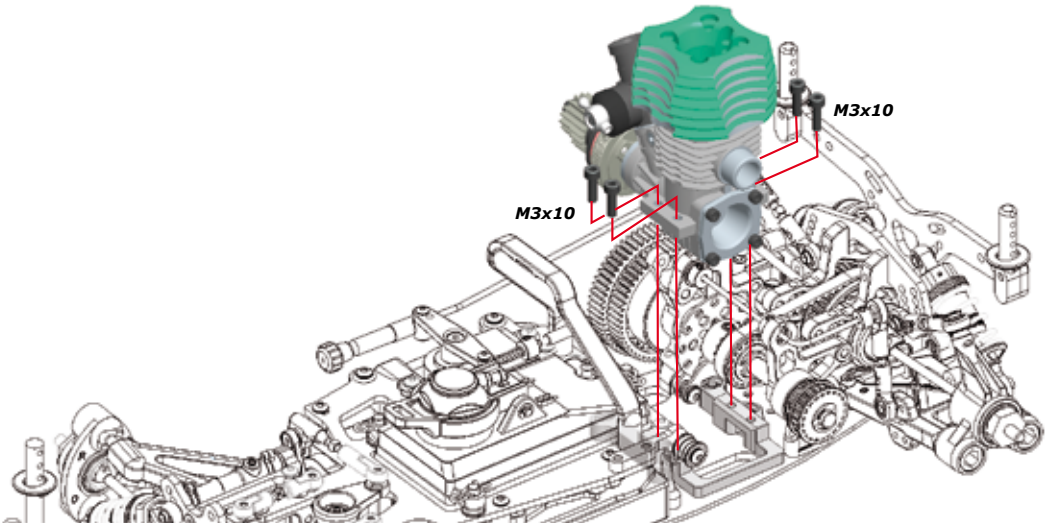
2d gear 1st gear





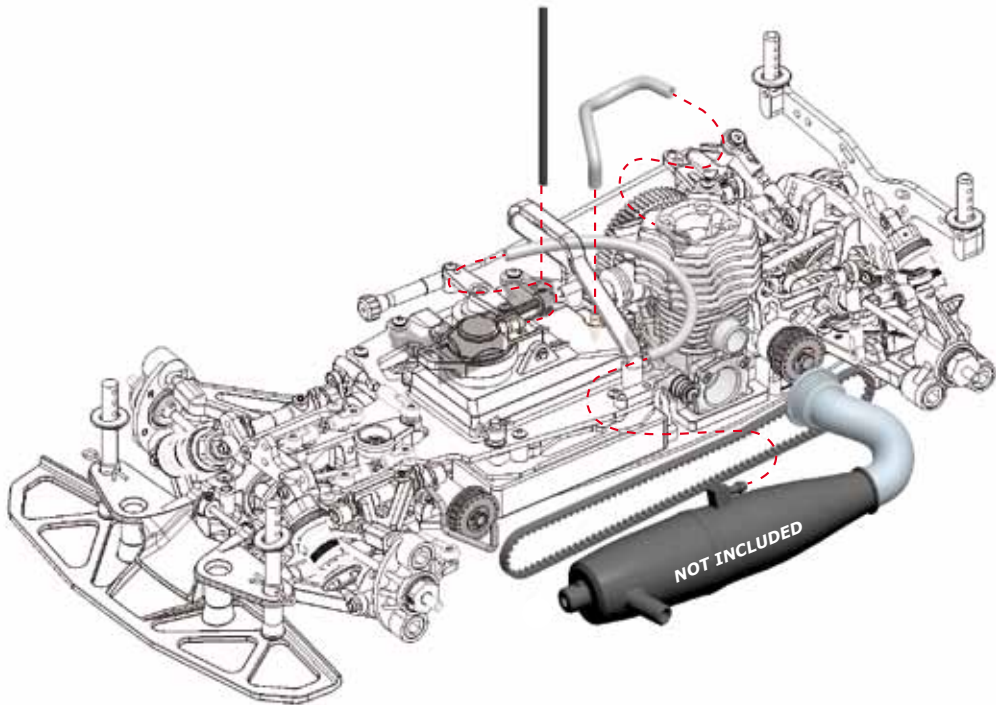
# E FINAL ASSEMBLY

1



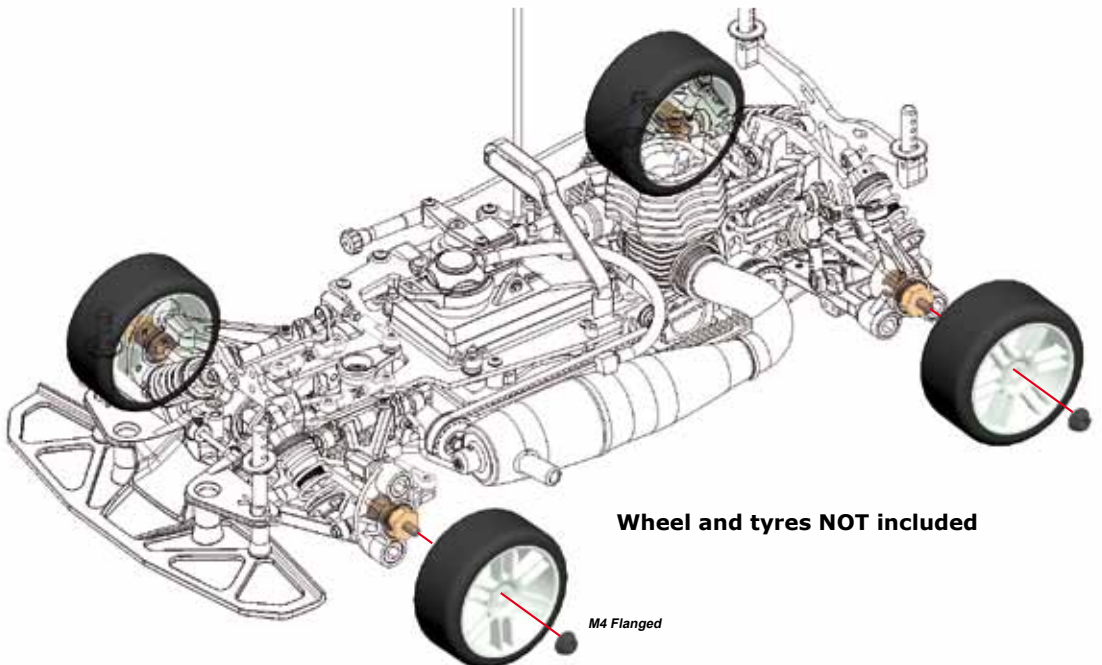
E

2



E

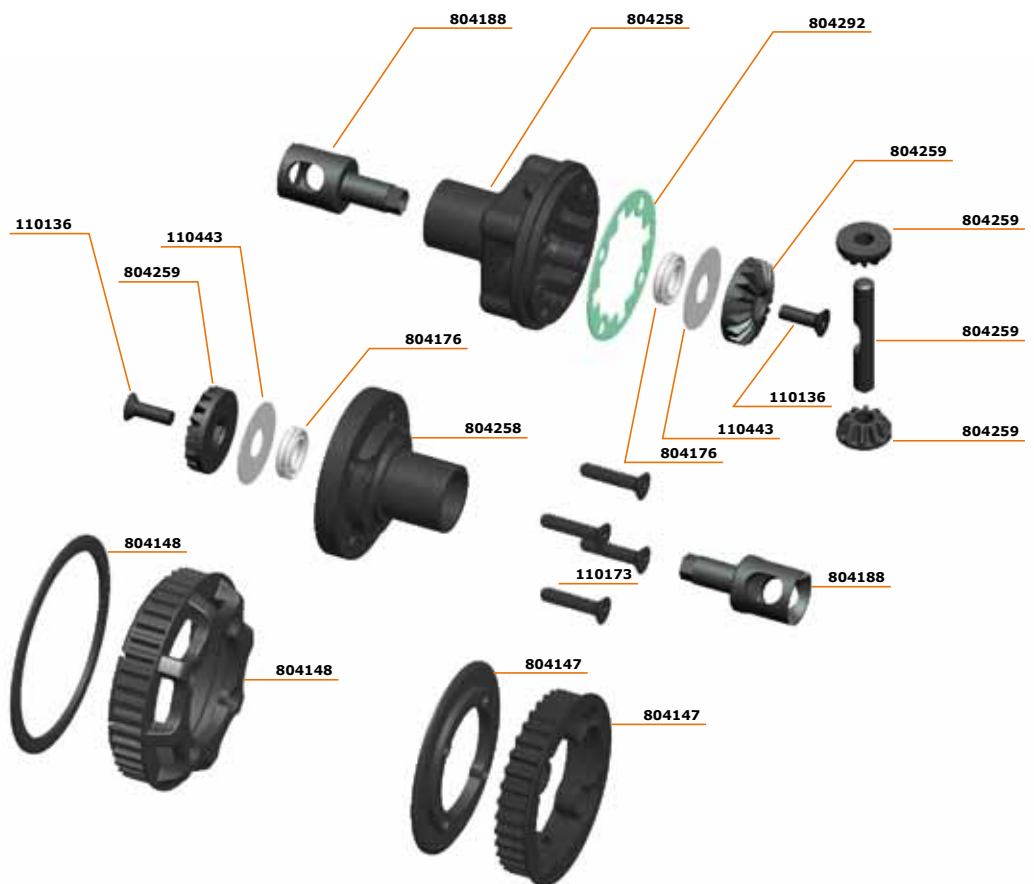
3





## REFERENCE GUIDE

### DIFFERENTIAL ASSEMBLY



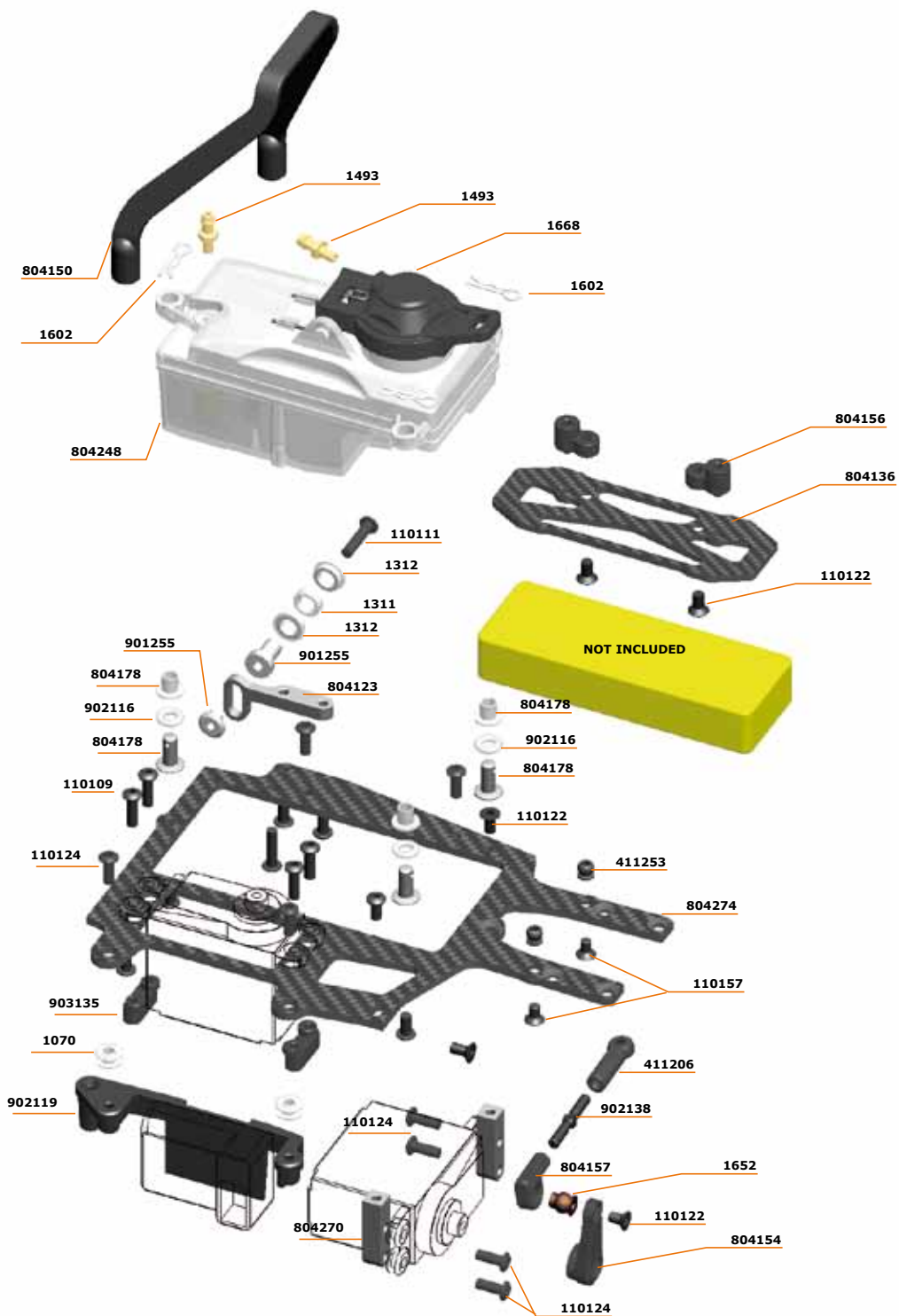
804257 Geardiff uni 1/10 GP  
804259 Geardiff uni 1/10 GP revision set





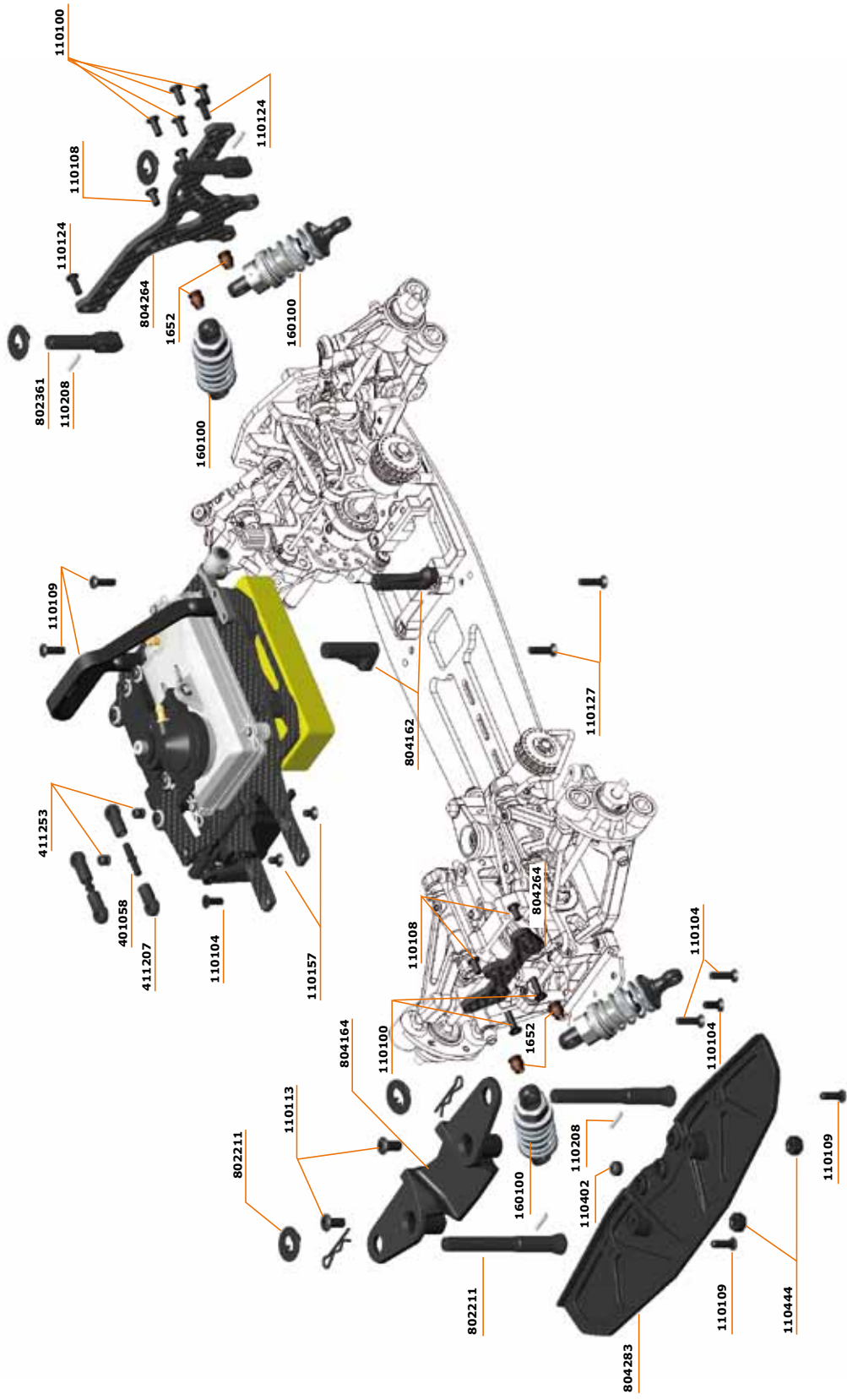


# RADIO PLATE ASSEMBLY



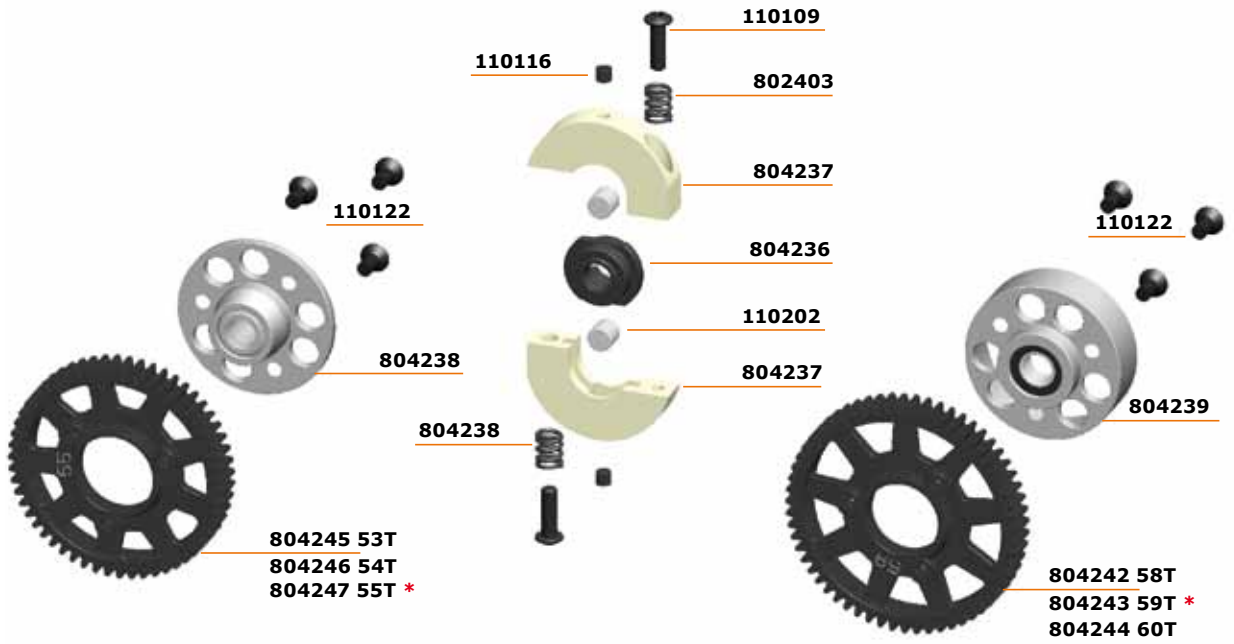


# RADIO PLATE MOUNTING





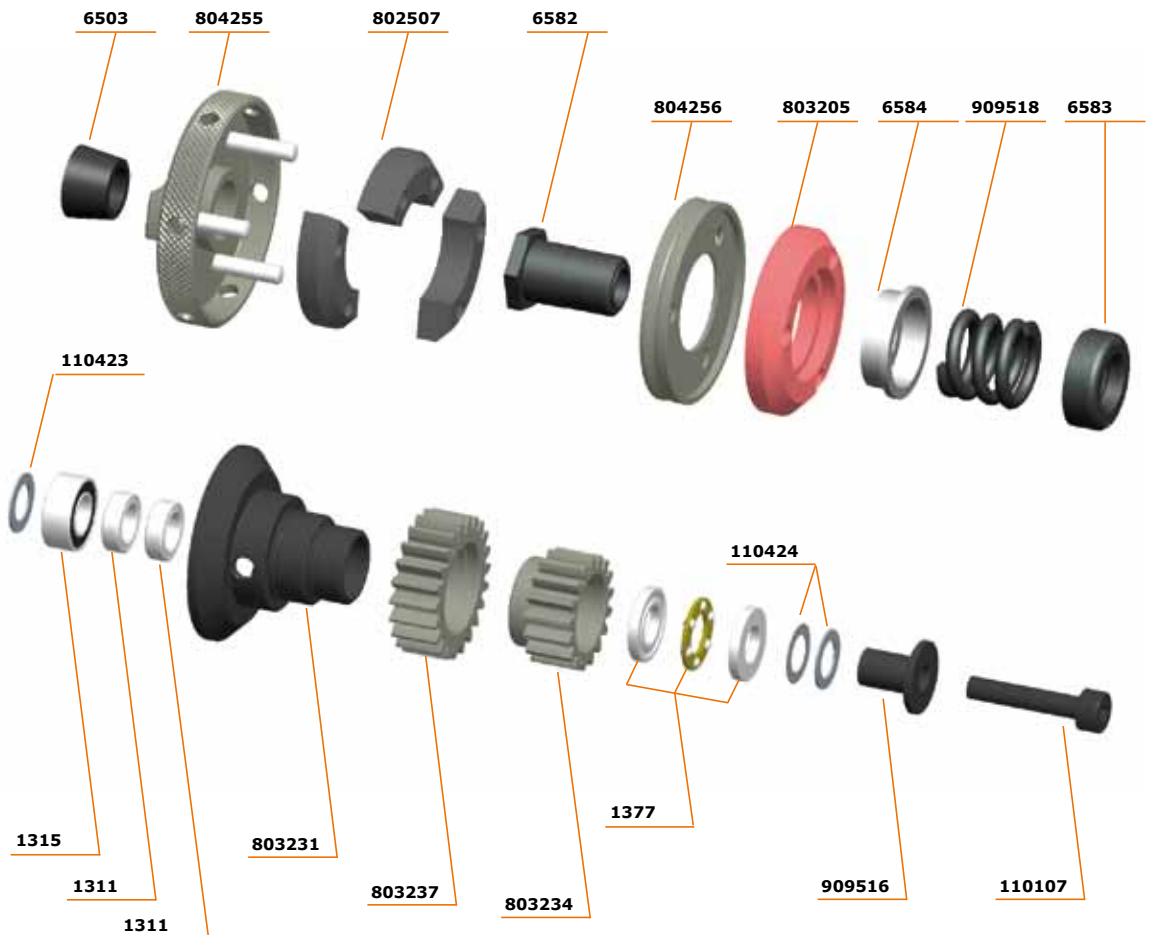
# GEARBOX ASSEMBLY



\* STANDARD

804241 2-Speed gear set SL6 (6)

# Exploded view Centax True Motion Clutch 1/10



sales part-number Centax True Motion clutch 1/10 # 804250



**Part no Description**

804005 SERPENT 747 1/10

**MANUAL, DECALS**

1887 Decal Serpent black/white 1/8 (2)  
1888 Decal Serpent chrome 1/10 (2)  
804297 Decal sheet 747 black/white (2)  
804298 Decal sheet 747 chrome (2)  
804299 Manual 747

**RADIO INSTALLATION / BATTERY**

1070 Grommet rubber soft (4)  
1639 Collar alu 2.1+setscrew (4)  
804136 Battery holder  
804154 Servo levers steering (3)  
804155 Servo levers throttle (3)  
804156 Brake lever / battery spacers  
804158 Servo mount spacers  
804162 Radioplate support (2)  
804181 Throttle spring (2)  
804270 Servomount 747 (2)  
804274 Radioplate 747 carbon  
902119 Receiver-bracket 950r

**Optionals**

804193 Radiotray posts alu (2)  
804214 Steering lever 23T alu  
804215 Steering lever 24T alu  
804216 Steering lever 25T alu  
804271 Radioplate support alu 747

**SERVO SAVER AND STEERING**

1650 Steel balls 5.8mm (4)  
1652 Steel balls 5.8mm long (4)  
401091 Balljoint-4-5 (12)  
411253 Pivotball uni 4.5mm (4)  
802260 Track-rod 47mm l+r (2)  
804120 Servo saver axle  
804124 Servo saver Spring  
804130 Servo saver nut  
804131 Servo saver shaft  
804154 Servo levers steering (3)  
804157 Servo saver set nylon  
902138 Rod 23mm set (2)  
903231 Balljoint set 14+6+2

**Optionals**

401500 Pivotball uni 4.5mm alu (4)  
802261 Track-rod 47mm L+R Titan (2)  
804213 Servo saver top + bottom alu (2)  
804214 Steering lever 23T alu  
804215 Steering lever 24T alu  
804216 Steering lever 25T alu  
804252 Pivotball 5.8mm alu coated (4)  
804253 Pivotball 5.8mm alu coated long (4)

**FUEL TANK AND PARTS**

1493 Nipple brass M3 (4)  
1602 Body clips small (10)  
600117 Tank cap seal silicone (2)  
804149 Tank inserts frame  
804178 Tank-support alu+rubber cover (3)  
804179 Covers rubber tankmount (3)  
804248 Fueltank 75cc 1/10 on-road

**SHOCK ABSORBERS**

6442 O-ring adj.nut (10)  
160100 Shockset on-road short (2)  
160102 Shock shaft short (2)  
160104 Shock body alu (2)  
160105 Shock bottom (2)  
160106 Shock top nut (2)

160107 Shock membrane (4)  
160108 Shock bushings (8)  
160110 Shock bottom O-ring (8)  
160111 Shock parts frame nylon short (14)  
909405 Shock adj nut alu +o-ring (4)

**Optionals**

160109 Shock bushing machined (8)  
160113 Shock body plastic (2)  
160115 Shock RCM shaft short tin coated (2)  
903226 Rod shockabsorber short Ti-Ni (8)  
903232 Springwasher alu light (4) SPP  
903334 RCCX shock-set short (2)  
804252 Pivotball 5.8mm alu coated (4)  
804253 Pivotball 5.8mm alu coated long (4)

**SHOCK SPRINGS**

160297 Spring grey short (2.6/14.8) TC (2)  
160298 Spring black short (2.9/16.5) TC (2)  
160299 Spring green short (3.5/19.9) TC (2)  
160300 Spring white L23 (2.3/13) (2)  
160301 Spring yellow L23 (2.8/16) (2)  
160302 Spring orange L23 (3.4/19.5) (2)  
160303 Spring red L23 (4.1/23.5) (2)  
160304 Spring pink L23 (4.0/28) (2)  
160305 Spring blue L23 (5.8/33) (2)  
160306 Spring purple L23 (6.8/39) (2)  
160307 Spring green L23 (8/45.5) (2)  
160308 Spring gray L23 (9/51.5) (2)  
160309 Spring black L23 (10/57) (2)  
160310 Spring-set L23 (5x2)

**CHASSIS / RADIO PLATE**

804162 Radioplate support (2)  
804262 Chassis 747 3mm  
804274 Radioplate 747 carbon

**Optionals**

401433 Weight set brass 5gr - 12gr - 20gr (2+1+1)  
804193 Radiotray posts alu (2)  
804271 Radioplate support alu 747  
804273 Chassis weight 25gr 747

**BODYMOUNTS FR and RR**

1667 Body clip medium (10)  
802211 Bodymount adjustable front (3)  
802361 Bodymount adjustable rear (2)  
804164 Bodyplate front

**Optionals**

802212 Body-mount alu (2 long+1short)  
802362 Body-mount alu short rear (2)  
804293 Body support washers med + high (5+5)  
804296 Body support rear (2)

**FRONT SECTION**

1650 Steel balls 5.8mm (4)  
1652 Steel balls 5.8mm long (4)  
401058 Rod 16mm steel (4)  
401091 Balljoint-4-5 (12)  
401092 Balljoint-4-5-short (10)  
411048 Adjust Nut for Front Suspension  
411063 Pivot Ball Upper Suspension Arm  
411253 Pivotball uni 4.5mm (4)  
801219 Ball 8.5mm alu short (4)  
802260 Track-rod 47mm l+r (2)  
802335 Arb ball 3mm (2)  
802352 Cvd insert (2)  
802354 Pin 3x9.8mm (4)  
803134 Spacer arb RR 720 (2)  
803198 Adj nut nylon (10)  
803212 Steeringblock 1 degr. L+R  
803240 Cvd shaft-set complete pro (2)  
803241 Cvd driveshaft pro (2)

804100 Belt Front 40S3M195  
 804110 Wishbone front lw L+R  
 804117 Pivot pin fr lw (2)  
 804118 Pivot pin fr up (2)  
 804120 Servo saver axle  
 804121 Shaft middle  
 804143 Antiroll bar fr 2.5mm  
 804147 Diff pully front  
 804153 Eccenters front  
 804154 Servo levers steering (3)  
 804164 Bodyplate front  
 804257 Geardiff uni 1/10 GP  
 804260 Bearingblock 747 FR L  
 804261 Bearingblock 747 FR R  
 804263 Shocktower 747 carbon FR  
 804267 Suspension bracket 747 FR UP (2)  
 804268 Bracket middle axle 747  
 804269 Suspension bracket 747 FR LW (2)  
 804279 Wishbone 747 FR UP (2)  
 804280 Bearing bracket 747 FR UP  
 804283 Bumper 747  
 804284 Wheelhexagon -1mm (2)  
 808214 Spacer-set caster  
 902138 Rod 23mm set (2)  
 903231 Balljoint set 14+6+2

#### Optionals

401154 Rod 16mm titan (2)  
 401155 Rod 16mm alu (2)  
 401433 Weight set brass 5gr - 12gr - 20gr (2+1+1)  
 401500 Pivotball uni 4.5mm alu (4)  
 801218 Wheel hexagons 0mm (2)  
 802255 Wheel hexagons 0mm clamp (4)  
 802261 Track-rod 47mm L+R Titan (2)  
 803211 Steeringblock 0 degr. L+R  
 804104 Belt Front 40S3M195 Low Friction  
 804141 Antiroll bar fr 1.8mm  
 804142 Antiroll bar fr 2.2mm  
 804144 Antiroll bar fr 2.8mm  
 804177 Antirollbar set front (4)  
 804194 Wheel hexagons +1mm clamp (4)  
 804195 Wheel hexagons -1mm clamp (4)  
 804207 Wishbone front lw L+R Hard  
 804210 Suspension bracket FR alu L+R (2)  
 804214 Steering lever 23T alu  
 804215 Steering lever 24T alu  
 804216 Steering lever 25T alu  
 804252 Pivotball 5.8mm alu coated (4)  
 804253 Pivotball 5.8mm alu coated long (4)  
 804254 Anti-roll bar bal 3.0mm alu (2)  
 804295 Bumperplate carbon 747

#### MIDDLE SECTION

804101 Belt Side 40S3M378  
 804113 Pully middle (2)  
 804123 Belt tensioner  
 804149 Tank inserts frame  
 804150 Rollbar 733  
 804162 Radioplate support (2)  
 804172 Tank 733 75cc  
 804217 Bearingblock-2sp-R 733/966 V2  
 804220 Bushing bearingblock L+R 733/966 V2 (2)  
 804221 Bushing rear anti-roll bar L+R 733/966 V2 (2)  
 804265 Bearingblock 2sp-L 747  
 804275 Exhaust mount spring (2)  
 901255 Belt tensioner set

#### Optionals

401433 Weight set brass 5gr - 12gr - 20gr (2+1+1)  
 804105 Belt Side 40S3M378 Low Friction  
 804163 Chassis stiffner  
 804196 Pully 18T mid alu  
 804197 Pully 21T mid side alu  
 804212 Radioplate support alu (2)  
 804228 Connectorset rear 733 (2+2)  
 804271 Radioplate support alu 747

804272 Sideplate carbon 747 R  
 804273 Chassis weight 25gr 747

#### REAR SECTION

1647 Balls 6mm (4)  
 1650 Steel balls 5.8mm (4)  
 1652 Steel balls 5.8mm long (4)  
 401091 Balljoint-4-5 (12)  
 401092 Balljoint-4-5-short (10)  
 411253 Pivotball uni 4.5mm (4)  
 801218 Wheelhexagon alu 0mm (2)  
 802332 Driveshaft (2)  
 802339 Ball anti-roll bar 2,5mm (2)  
 803134 Spacer anti-roll bar RR 720 (2)  
 804112 Pully 2sp shaft (2)  
 804116 Pivot pin rr lw (2)  
 804129 Rearplate narrow  
 804133 Suspension bracket rr fr narrow  
 804140 Camberlink bracket rear  
 804146 Shim conical 3x2mm (4)  
 804148 Diff pully rear  
 804152 Eccenters rear  
 804168 Bearingblock rr  
 804202 Belt Rear 50S3M186  
 804219 Bearingblock rear upper 733 V2  
 804226 Pivot lever alu (2)  
 804228 Connectorset rear 733 (2+2)  
 804232 Shim 3x6x3 (4)  
 804257 Geardiff uni 1/10 GP  
 804264 Shocktower 747 carbon RR  
 804281 Wishbone 747 RR LW medium (2)  
 804282 Upright 747 (2)  
 804286 Anti-roll bar RR 1,8mm  
 902138 Rod 23mm set (2)  
 903231 Balljoint set 14+6+2

#### Optionals

401433 Weight set brass 5gr - 12gr - 20gr (2+1+1)  
 401500 Pivotball uni 4.5mm alu (4)  
 801218 Wheelhexagon alu 0mm (2)  
 802255 Wheel hexagons 0mm clamp (4)  
 803135 Anti-roll bar RR 2.5mm  
 803168 Anti-roll bar RR 2.3mm  
 804128 Rearplate wide  
 804132 Suspension bracket rr fr wide  
 804194 Wheel hexagons +1mm clamp (4)  
 804198 Pully 20T 2sp center alu  
 804199 Pully 21T 2sp side alu  
 804203 Belt Rear 50S3M186 Low Friction  
 804206 Wishbone rear lw L+R Hard  
 804229 Upright alu / inserts 733 (2+2)  
 804230 Insert upright alu 733 (2)  
 804277 Shock bracket carbon L+R RR  
 804278 Anti-rollbar bracket carbon RR (2)  
 804287 Anti-roll bar RR 1,9mm  
 804288 Anti-roll bar RR 2,0mm  
 804289 Anti-roll bar RR 2,1mm  
 804290 Anti-roll bar RR 2,2mm  
 804294 Wishbone 747 RR LW hard (2)  
 804251 Pivotball 5.8mm d-s alu coated (4)  
 804252 Pivotball 5.8mm alu coated (4)  
 804253 Pivotball 5.8mm alu coated long (4)  
 804254 Anti-roll bar bal 3.0mm alu (2)  
 804296 Body support rear (2)

#### TRANSMISSION

801215 Wheelaxle (2)  
 802332 Driveshaft (2)  
 802352 Cvd insert (2)  
 802354 Pin 3x9.8mm (4)  
 803240 Cvd shaft-set complete pro (2)  
 803241 Cvd driveshaft pro (2)  
 804100 Belt Front 40S3M195  
 804101 Belt Side 40S3M378  
 804112 Pully 2sp shaft (2)





804113 Pully middle (2)  
804121 Shaft middle  
804147 Diff pully front  
804148 Diff pully rear  
804176 Geardiff x-ring (4)  
804187 Oil set 733 diff-shock (3)  
804188 Gear diff outdrive (2)  
804202 Belt Rear 50S3M186  
804240 2-speed shaft SL6  
804257 Geardiff uni 1/10 GP  
804258 Geardiff uni 1/10 GP housing  
804259 Geardiff uni 1/10 GP revision set  
804292 Diff gasket 1/10 GP (3)

#### Optionals

801218 Wheel hexagons 0mm (2)  
802255 Wheel hexagons 0mm clamp (4)  
804104 Belt Front 40S3M195 Low Friction  
804105 Belt Front 40S3M378 Low Friction  
804184 Front one-way axle set  
804185 Front solid axle  
804194 Wheel hexagons +1mm clamp (4)  
804195 Wheel hexagons -1mm clamp (4)  
804196 Pully 18T mid alu  
804197 Pully 21T mid side alu  
804198 Pully 20T 2sp center alu  
804199 Pully 21T 2sp side alu  
804203 Belt Rear 50S3M186 Low Friction  
804284 Wheelhexagon -1mm (2)

#### BRAKE SYSTEM

804156 Brake lever / battery spacers  
804169 Brakepully adaptor  
804180 Brake / throttle wires (2)  
804217 Bearingblock-2sp-R 733/966 V2  
804220 Bushing bearingblock L+R 733/966 V2 (2)  
804221 Bushing rear anti-roll bar L+R  
733/966 V2 (2)  
804265 Bearingblock 2sp-L 747  
804266 Brake pin 5x9 (2)  
804276 Brakedisc 747 1mm  
804285 Brake spring 747 (2)  
903318 Brake cam 966  
903319 Brake bushing (2)  
903330 Brakeplate / pad set

#### Optionals

804291 Brake lever on-road alu

#### 2-SPEED GEARBOX

110202 Pin 5x5 (10)  
802403 Spring 2-speed soft (2)  
804235 Gearbox set SL6 upgrade  
804236 2-speed adaptor SL6  
804237 2-speed shoe SL6 (2)  
804238 2-speed drive flange SL6  
804239 2-speed housing SL6  
804240 2-speed shaft SL6  
804241 2-speed gear set SL6 (6)  
804242 2-Speed gear 58T SL6  
804243 2-Speed gear 59T SL6  
804244 2-Speed gear 60T SL6  
804245 2-Speed gear 53T SL6  
804246 2-Speed gear 54T SL6  
804247 2-Speed gear 55T SL6

#### CLUTCH SYSTEM

1311 Ballbearings 5x8x4 (2)  
1315 Ballbearings 5x10x4 (2)  
1377 Axial bearing 5x10  
6503 Conus flywheel 7mm long (3)  
6582 Centax clutchnut  
6583 Centax adj nut  
6586 Centax coilpring  
110404 Shim 6x8x0.3 (10)  
110423 Shim 5X8X0,1 (10)

110424 Shim 5X8X0,3 (10)  
802505 Centax-3 spring cup  
802507 Centax-3 flyweights (3)  
803205 Centax-3 clutch-shoe red  
803231 Centax-3wc clutchhousing  
803233 Centax-3wc gear alu 16T  
803234 Centax-3wc gear alu 17T  
803235 Centax-3wc gear alu 18T  
803236 Centax-3wc gear alu 21T  
803237 Centax-3wc gear alu 22T  
803238 Centax-3wc gear alu 23T  
804250 True motion clutch set 1/10  
804255 Flywheel Centax True Motion 1/10  
804256 Clutch support disk Centax True Motion 1/10  
909516 Centax II spacer axialbearing

#### Optionals

1388 Thrust-bearing 5x10 ceramic  
804249 Centax set Ultra 1/10  
802508 Centax-3 clutch shoe xp  
804234 Centax-3 clutchbell alu  
803201 Centax supportwasher alu  
803208 Centax-3 flywheel 31mm  
803230 Centax-3wc clutch-set  
802509 Centax-3 clutch-shoe yellow

#### ENGINE MOUNTS

804227 Enginemount mono 733

#### Optionals

804125 Engine mount top (uni)  
804126 Engine mount lw rr  
804127 Engine mount lw fr  
804189 Engine mount top (sirio)

#### BALL-BEARINGS

1311 Ballbearings 5x8x4 (2)  
1312 Ballbearing 5x8 mm flanged  
1315 Ballbearings 5x10x4 (2)  
1320 Ballbearings 6x10 met flange (2)  
1342 Ballbearing 6x13 hs (2)  
1344 Ballbearing 10x15 hs (2)  
1346 Ballbearing 12x18 hs (2)  
1377 Axial bearing 5x10  
1388 Thrust-bearing 5x10 ceramic  
401134 Ballbearing 4x7 (2)

#### FASTNERS

110100 Screw allen countersunk m3x10 (10)  
110101 Screw allen countersunk m4x8 (10)  
110102 Screw allen countersunk m4x10 (10)  
110103 Screw allen countersunk m4x16 (10)  
110104 Screw allen countersunk M3x8 (10)  
110105 Screw allen countersunk m4x12 (10)  
110106 Screw allen flanged roundhead m5x12 (10)  
110107 Screw allen cilinderhead m3x16 (10)  
110108 Screw allen roundhead m3x6 (10)  
110109 Screw allen roundhead m3x10 (10)  
110110 Screw allen roundhead m3x16 (10)  
110111 Screw allen roundhead m3x14 (10)  
110112 Screw allen roundhead m3x12 (10)  
110113 Screw allen roundhead m4x8 (10)  
110114 Setscrew allen m3x8 (10)  
110115 Setscrew allen m3x4 (10)  
110116 Setscrew allen m3x3 (10)  
110117 Setscrew allen m3x12 (10)  
110118 Setscrew allen m4x4 (10)  
110119 Setscrew allen m4x6 (10)  
110120 Setscrew allen m4x10 (10)  
110121 Setscrew allen m5x6 (10)  
110122 Screw allen countersunk m3x6 (10)  
110123 Screw philips roundhead 3.5x13 (10)  
110124 Screw allen countersunk m3x8 (10)  
110125 Screw allen countersunk m3x20 (10)  
110126 Screw allen countersunk m2.5x12 (10)  
110127 Screw allen countersunk m3x12 (10)

110128	Screw allen roundhead m3x5 (10)	110401	Shim 3.2x7x0.5 (10)
110129	Screw allen cilinderhead m3x10 (10)	110402	Nut nylock M3 (10)
110130	Screw allen roundhead m2.5x6 (10)	110403	Nut nylock M4 (10)
110131	Screw allen roundhead m2.5x10 (10)	110404	Shim 6x8x0.3 (10)
110132	Screw allen countersunk m3x16 (10)	110405	Nut nylock M4 flanged (10)
110133	Screw philipshead countersunk 2.5x8 wide (10)	110406	Nut nylock M2.2 (10)
110134	Screw philipshead countersunk 2.5x10 wide(10)	110407	Nut M3 (10)
110135	Screw allen countersunk M2.5x10 (10)	110408	Shim 3x5x0.3 (10)
110136	Screw allen countersunk M2.5x8 (10)	110409	Shim 3x5x1 (10)
110137	Setscrew allen M3x6 (10)	110410	Shim 3x5x2 (10)
110138	Screw allen countersunk M4x14 (10)	110411	Shim 3x5x4 (10)
110139	Screw allen countersunk M3x40 (10)	110412	Shim 3.5x8x1 (10)
110140	Screw allen roundhead M3x20 (10)	110413	Shim 3.5x12x0.2 (10)
110141	Screw allen roundhead M3x22 (10)	110414	Shim 3x6x0.1 (10)
110142	Screw allen roundhead M3x25 (10)	110415	Shim 3x6x0.5 (10)
110143	Screw allen roundhead M4x18 (10)	110416	Shim 3x6x0.8 (10)
110144	Screw allen roundhead M3x18 (10)	110417	Shim 3x6x3 (10)
110145	Screw allen roundhead flanged M3x12 (10)	110418	Shim 4x8x0.1 (10)
110146	Screw allen roundhead flanged M3x16 (10)	110419	Shim 4x9.5x1 (10)
110147	Screw ph roundhead widethread 2.5x5 (10)	110420	Shim 4x9.5x2(10)
110148	Setscrew allen M5x4 (10)	110421	Shim 4x9.5x4(10)
110149	Screw allen countersink M2x10 (10)	110422	Shim 4x10x0.3 (10)
110150	Screw M6x12 nylon black (2)	110423	Shim 5x8x0.1 (10)
110151	Screw allen cilinderhead M4x10 (10)	110424	Shim 5x8x0.3 (10)
110152	Screw allen cilinderhead M3x8 (10)	110425	Shim 5x10x0.3 (10)
110153	Screw allen roundhead M2.3x6 (10)	110426	Shim 5x10x0.5 (10)
110154	Setscrew allen M3x10 (10)	110427	Shim 5x15x0.3 (10)
110155	Setscrew allen M3x5 (10)	110428	Shim 6.5x8x0.25 (10)
110156	Screw allen countersunk M2.2x6 (10)	110429	Shim 6x11.75x0.2 (10)
110157	Screw allen countersunk M3x5 (10)	110430	Shim 6x12x0.5 (10)
110158	Screw allen countersunk M3x15 (10)	110431	Shim 8x11x0.1 (10)
110159	Screw allen countersunk M3x18 (10)	110432	Shim 8x11x0.2 (10)
110160	Screw allen cilinderhead M2.2x12 (10)	110433	Shim 12x15x0.25 (10)
110161	Screw allen cilinderhead M2x6 (10)	110434	Shim 12x18x0.3 (10)
110162	Setscrew allen M3x2.5 (10)	110435	Shim 13x16x0.2 (10)
110163	Setscrew allen M3x2 (10)	110436	Shim 3x5x3 (10)
110164	Screw allen roundhead M3x4 (10)	110437	Nut M2.5 (10)
110165	Screw allen cilinderhead M2x5 (10)	110438	Shim 2,5x6x0,5 (10)
110166	Screw allen countersunk M2.5x5 (10)	110439	Shim 3x7,5x1 (10)
110167	Screw allen roundhead flanged M3x18 (10)	110440	Shim 2,5x5x0,4 (10)
110168	Screw allen roundhead flanged M3,5x10 (10)	110441	Nut nylock M3 flanged (10)
110169	Screw allen roundhead flanged M4x10 (10)	110442	Shim 4x8x0.6 (10)
110170	Screw allen roundhead flanged M3x28 (10)	110443	Shim 5x15x0.2 (10)
110171	Screw ph countersunk widethread 2.5x15 (10)	110444	Nut M4 nylon (10)
110172	Screw allen roundhead flanged M3X6 (10)		
110173	Screw ph countersunk widethread 2.5x12 (10)		
110174	Screw allen countersunk M4x6 (10)		
110200	Pin 2.5x8 (10)		
110201	Pin 3x12 (10)		
110202	Pin 5x5 (10)		
110203	Pin 3x14 (10)		
110204	Pin 3x20 (10)		
110205	Pin 3x22 (10)		
110206	Pin 2.5x22 (10)		
110207	Pin 2.5x12 (10)		
110208	Pin nra 2x9.8 (4)		
110209	Pin nra 2x18 (4)		
110210	Pin 3x13 (10)		
110211	Pin 2.5x13 (10)		
110212	Pin 2.5x17 (10)		
110213	Pin 2.5x10 (10)		
110214	Pin 3x15 (10)		
110215	Pin 2x12 (10)		
110216	Pin 2.5x15 (10)		
110217	Pin 2x9 (10)		
110218	Pin 3x10 (10)		
110300	E-clip 2.3 (10)		
110301	E-clip 3.2 (10)		
110302	E-clip 4.0 (10)		
110303	E-clip 5.0 (10)		
110304	E-clip 7.0 (10)		
110305	Segeer clip 12x1.0 (10)		
110306	E-clip 6.0 (10)		
110400	Shim 6.0x10x0.2 (10)		
		<b>MERCHANDISING</b>	
		1891	Serpent medium promo decal 20x12.5 (2)
		1893	Serpent decal xL (30x60cm)
		1998	Cap serpent black-orange
		1869	Pit-towel serpent orange 140x60cm
		1872	Rucksack serpent (35x45cm) black
		1873	Rucksack serpent (48x61cm) black
		1883	Banner Serpent S-logo 200x100 nylon
		190110	Sweater hooded serpent black (s)
		190111	Sweater hooded serpent black (m)
		190112	Sweater hooded serpent black (l)
		190113	Sweater hooded serpent black (xl)
		190114	Sweater hooded serpent black (xxl)
		190116	T-shirt lady black Serpent (S)
		190117	T-shirt lady black Serpent (M)
		190118	T-shirt lady black Serpent (L)
		190119	T-shirt lady black Serpent (xL)
		190121	T-shirt Serpent LTS white (S)
		190122	T-shirt Serpent LTS white (M)
		190123	T-shirt Serpent LTS white (L)
		190124	T-shirt Serpent LTS white (xL)
		190125	T-shirt Serpent LTS white (xxL)
		190127	T-shirt Serpent DTR orange (S)
		190128	T-shirt Serpent DTR orange (M)
		190129	T-shirt Serpent DTR orange (L)
		190130	T-shirt Serpent DTR orange (xL)
		190131	T-shirt Serpent DTR orange (xxL)
		190132	T-shirt Serpent DTR black (S)
		190133	T-shirt Serpent DTR black (M)



**747**



[www.serpent.com](http://www.serpent.com) - [info@serpent.com](mailto:info@serpent.com)



#804183 Manual / ref guide 747 version 1.